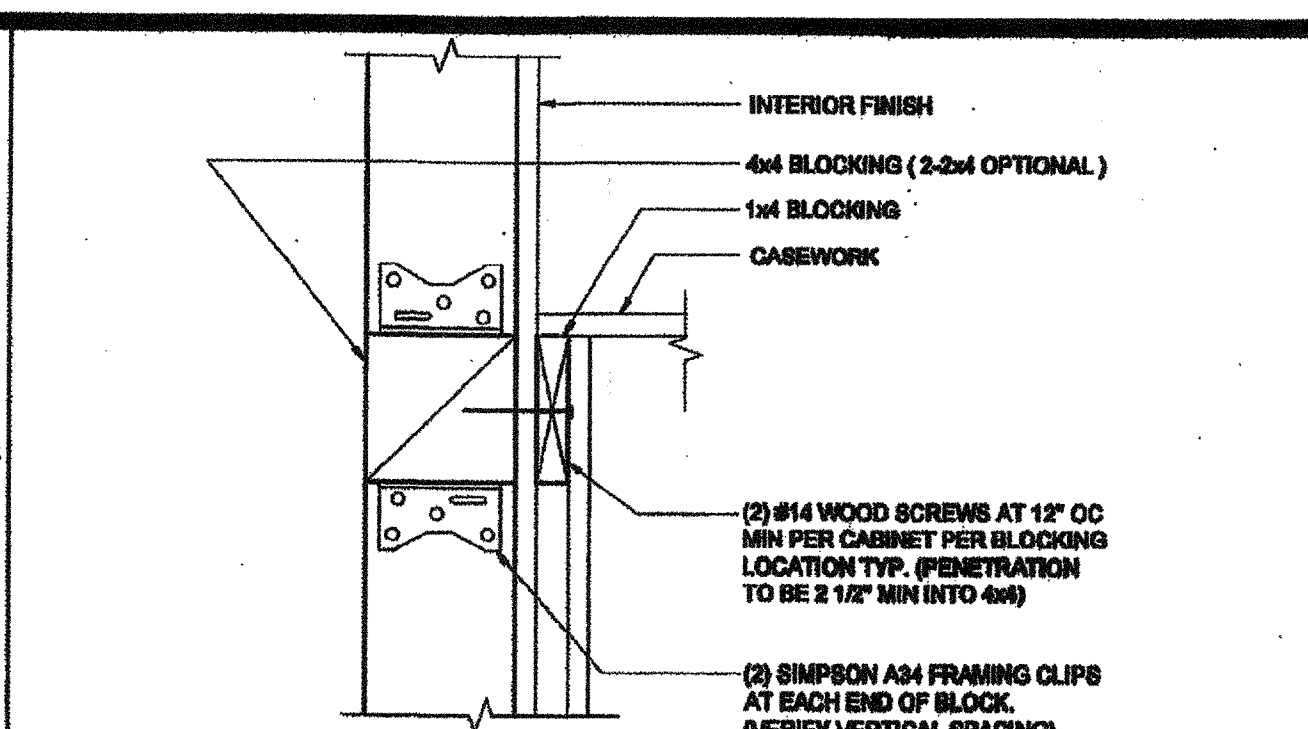
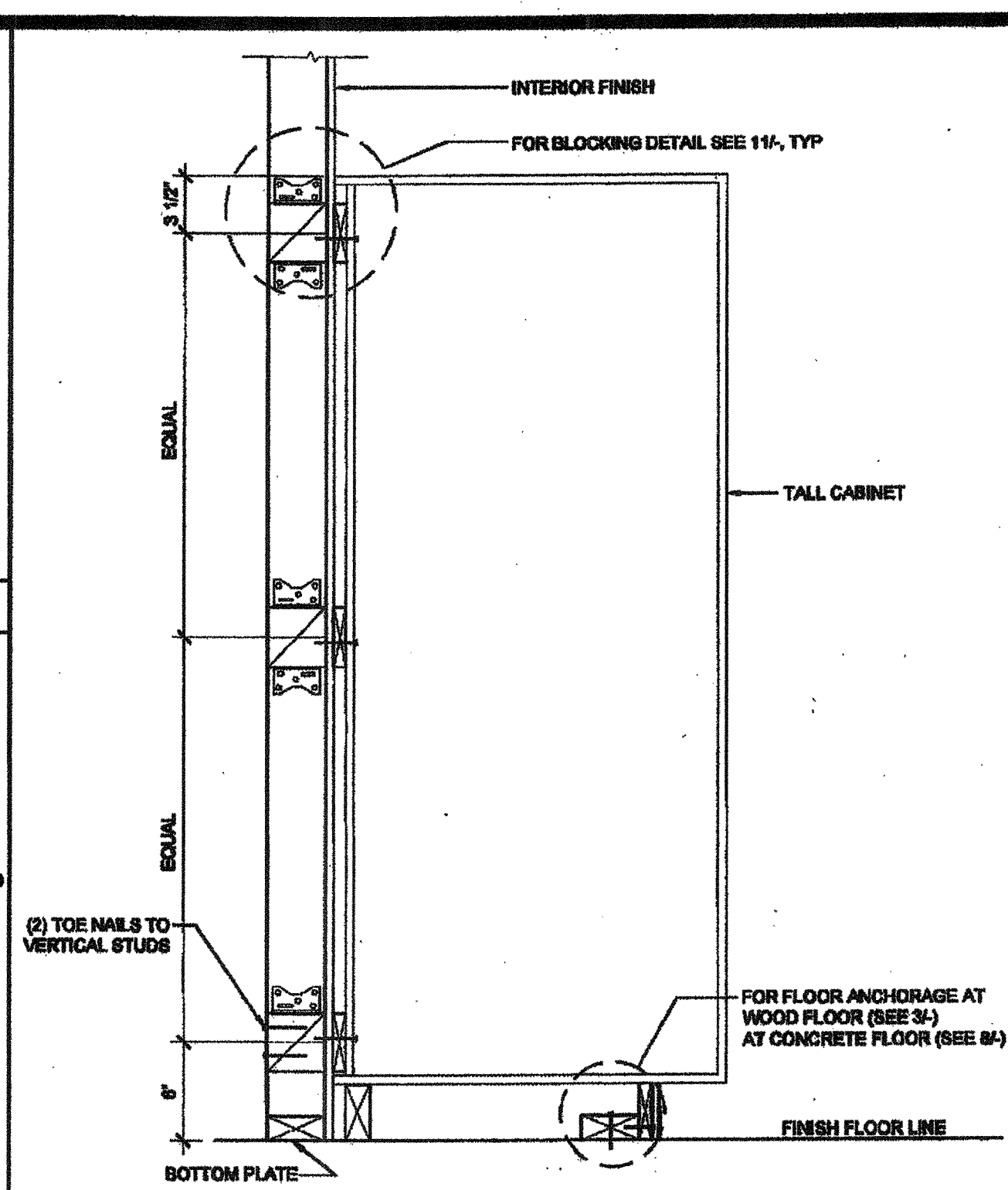


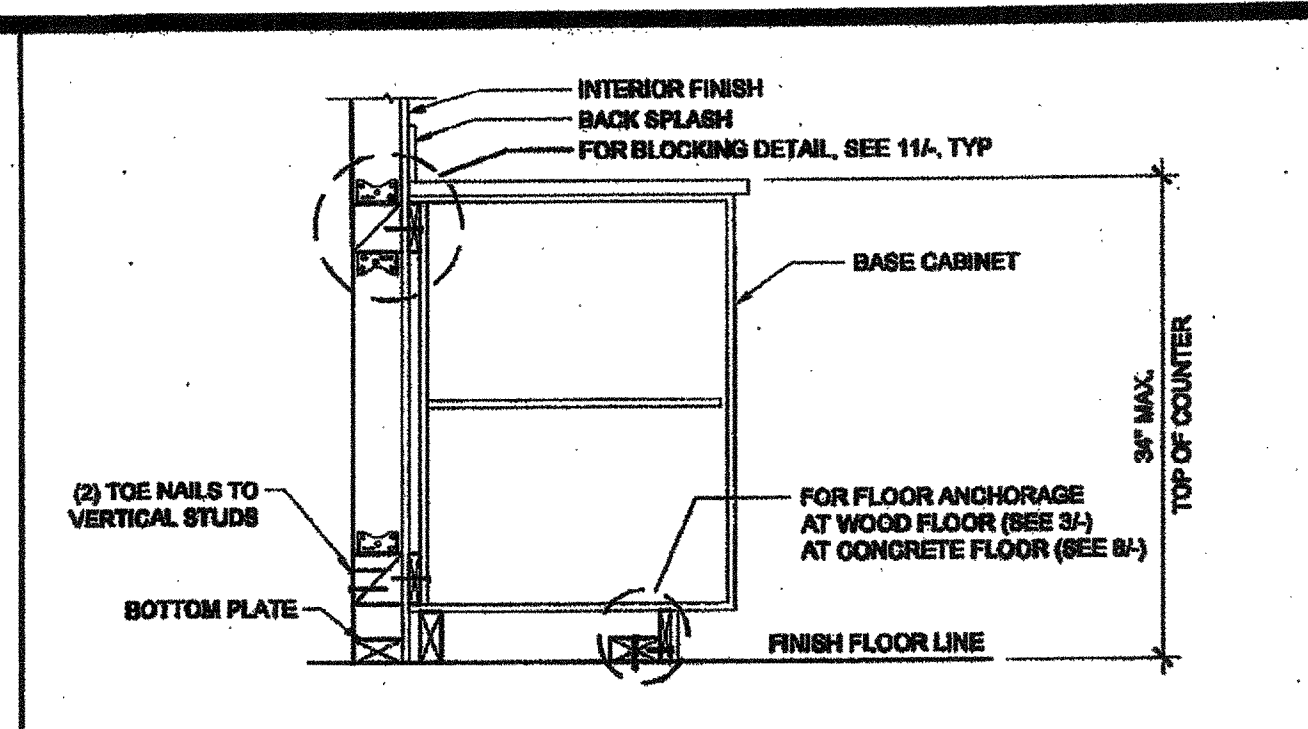
T.V. BLOCKING ATTACHMENT AT WOOD STUD SCALE: 1/2" = 1'-0" 16



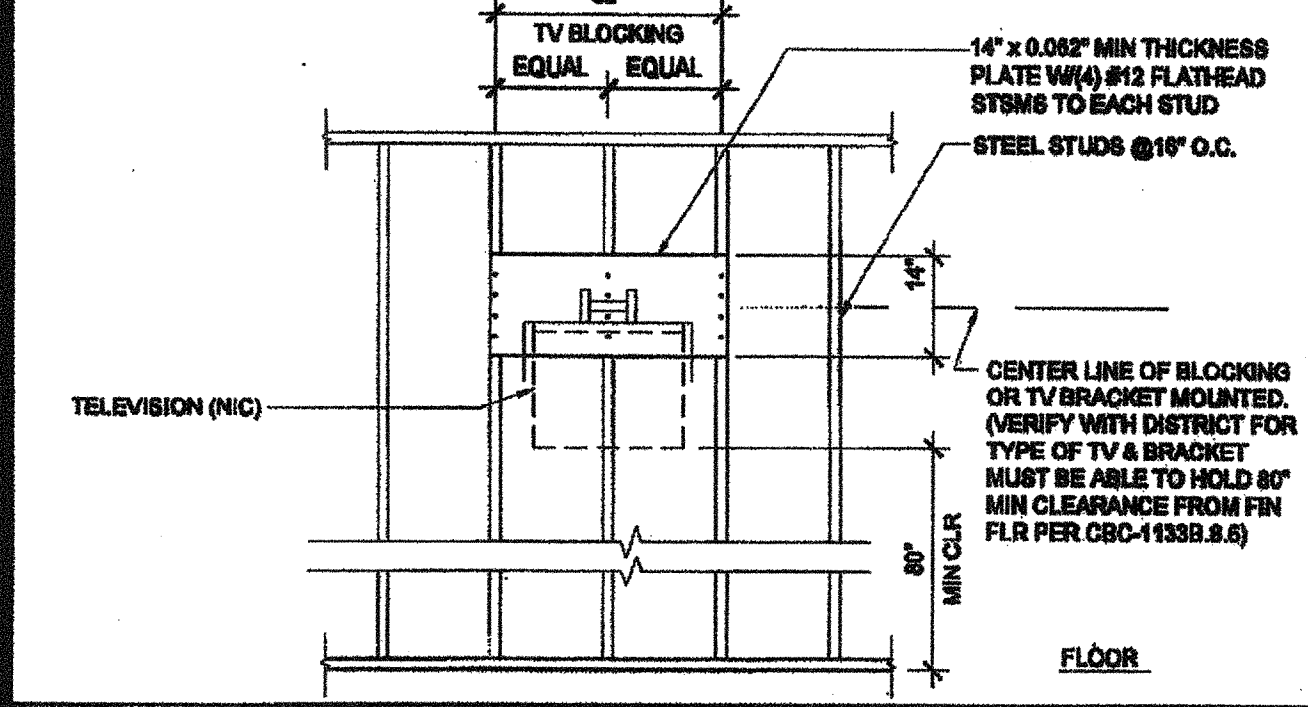
ATTACHMENT TO BLOCKING AT WOOD STUD SCALE: 3/4" = 1'-0" 11



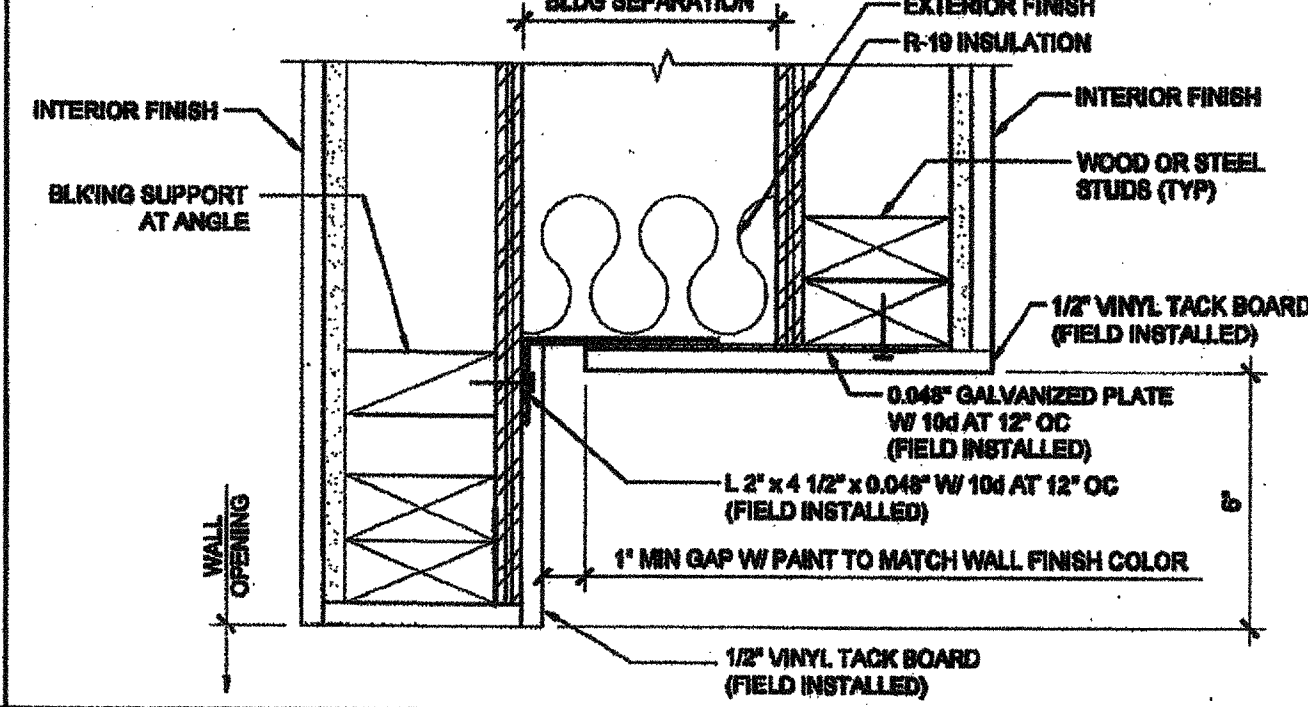
TALL CABINET WALL ANCHORAGE AT WOOD STUD SCALE: 1 1/2" = 1'-0" 7



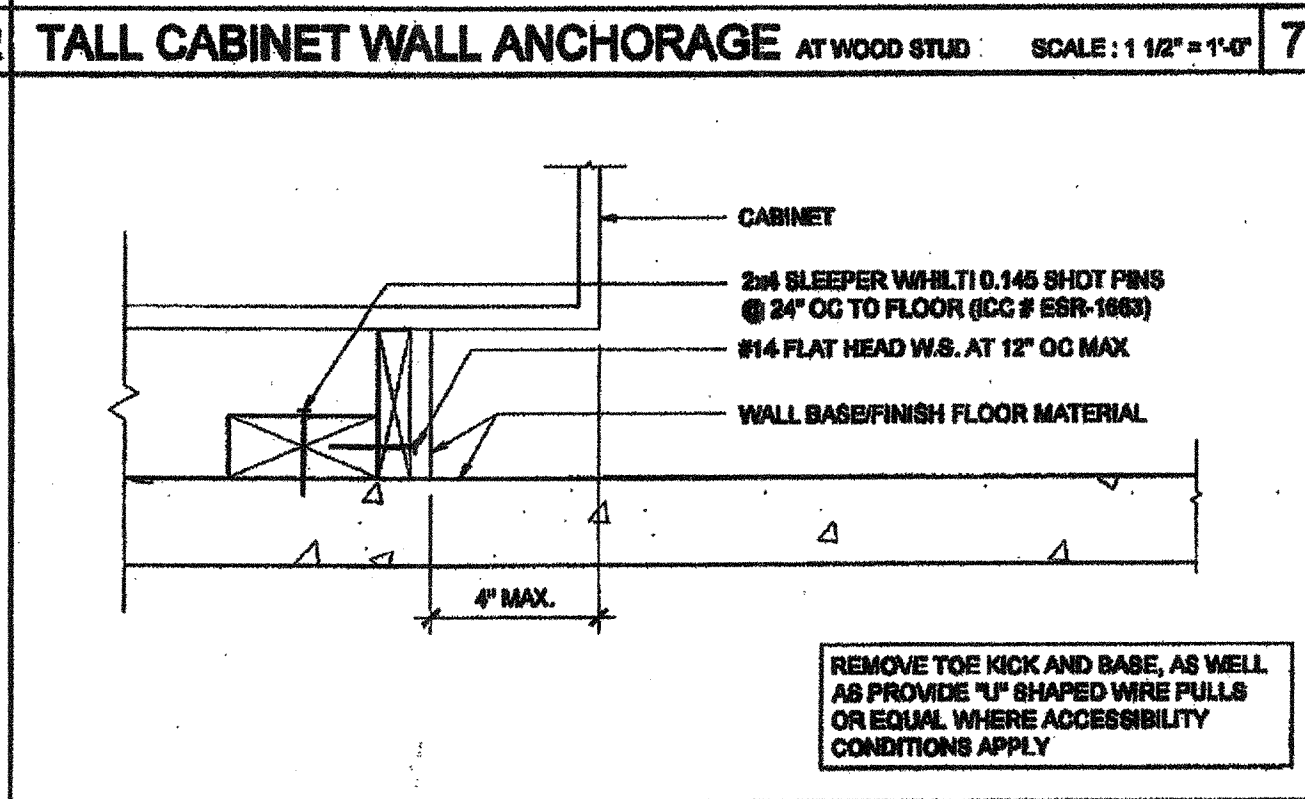
BASE CABINET WALL ANCHORAGE AT WOOD STUD SCALE: 1" = 1'-0" 1



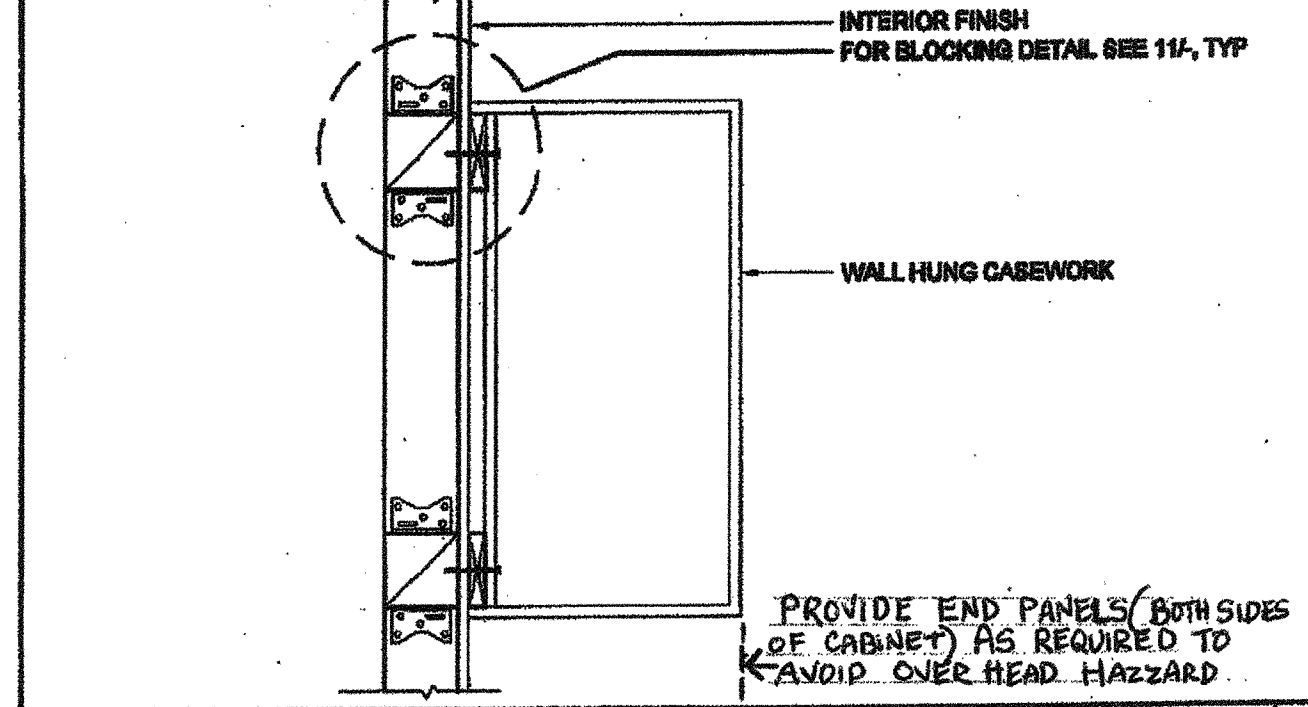
T.V. BLOCKING ATTACHMENT AT STEEL STUD SCALE: 1/2" = 1'-0" 17



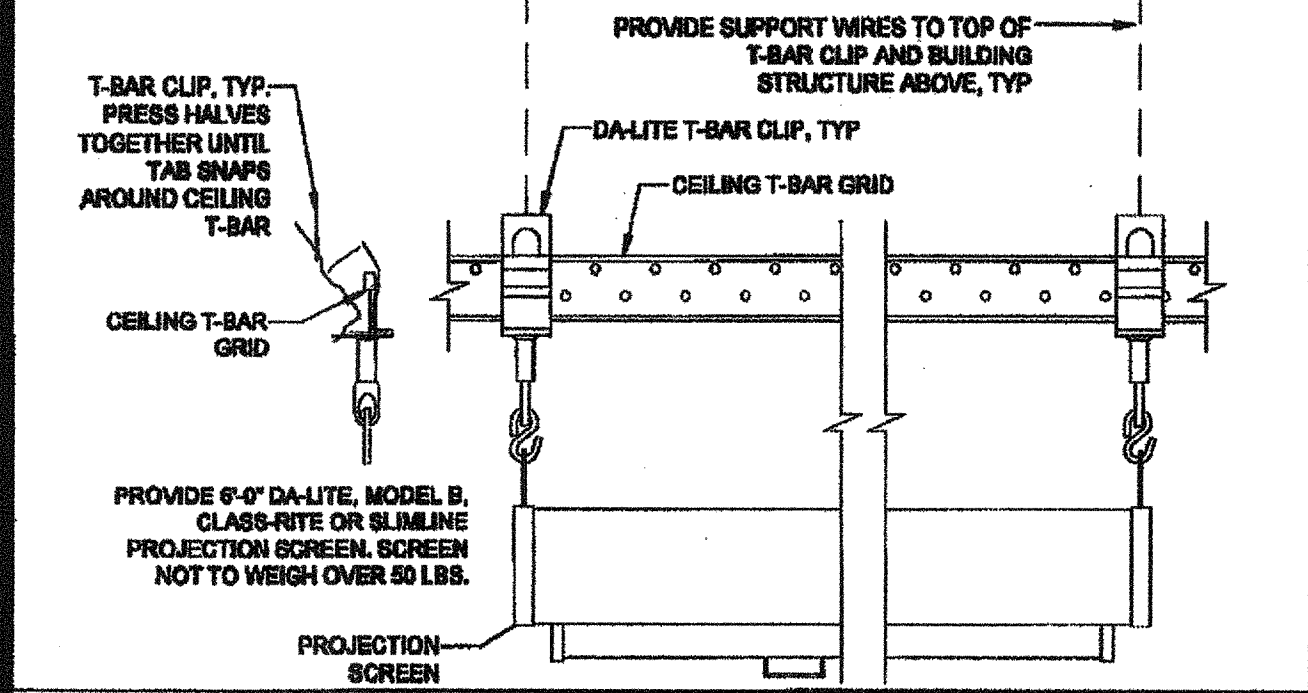
WALL OPENING AT HEADER AND JAMB SCALE: 3/4" = 1'-0" 12



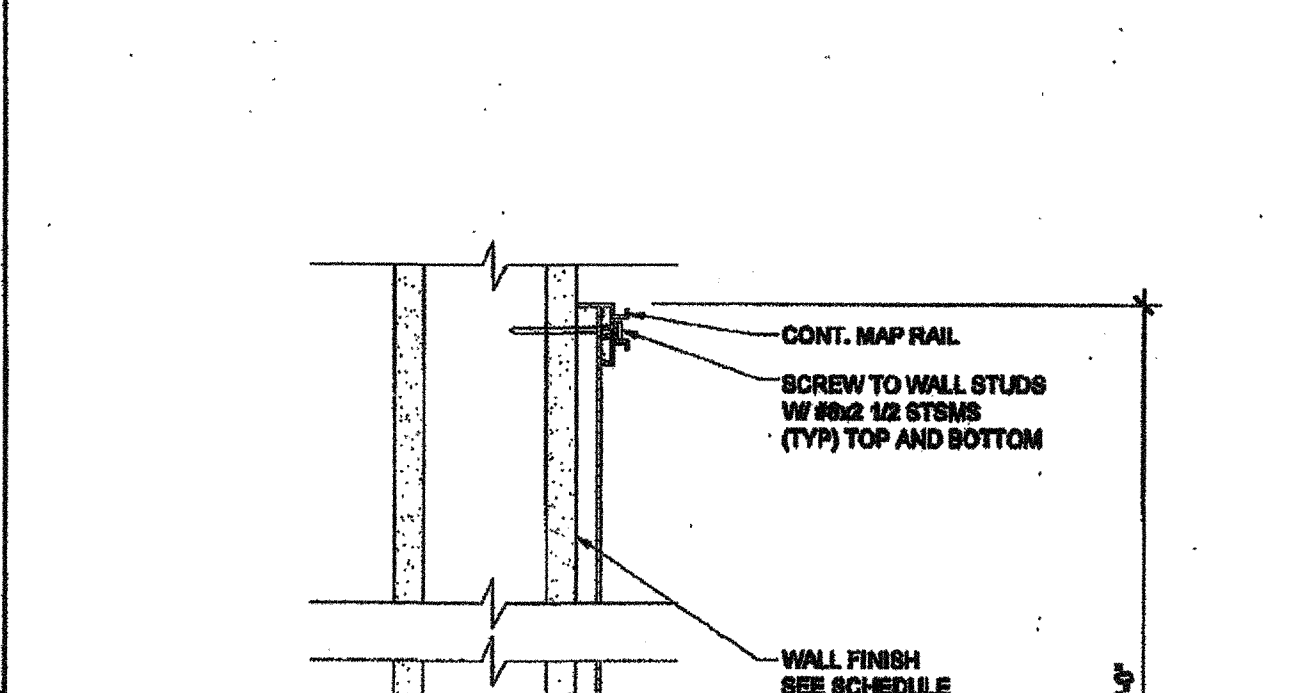
ATTACHMENT TO BLOCKING - CONC. FLOOR SCALE: 3/4" = 1'-0" 8



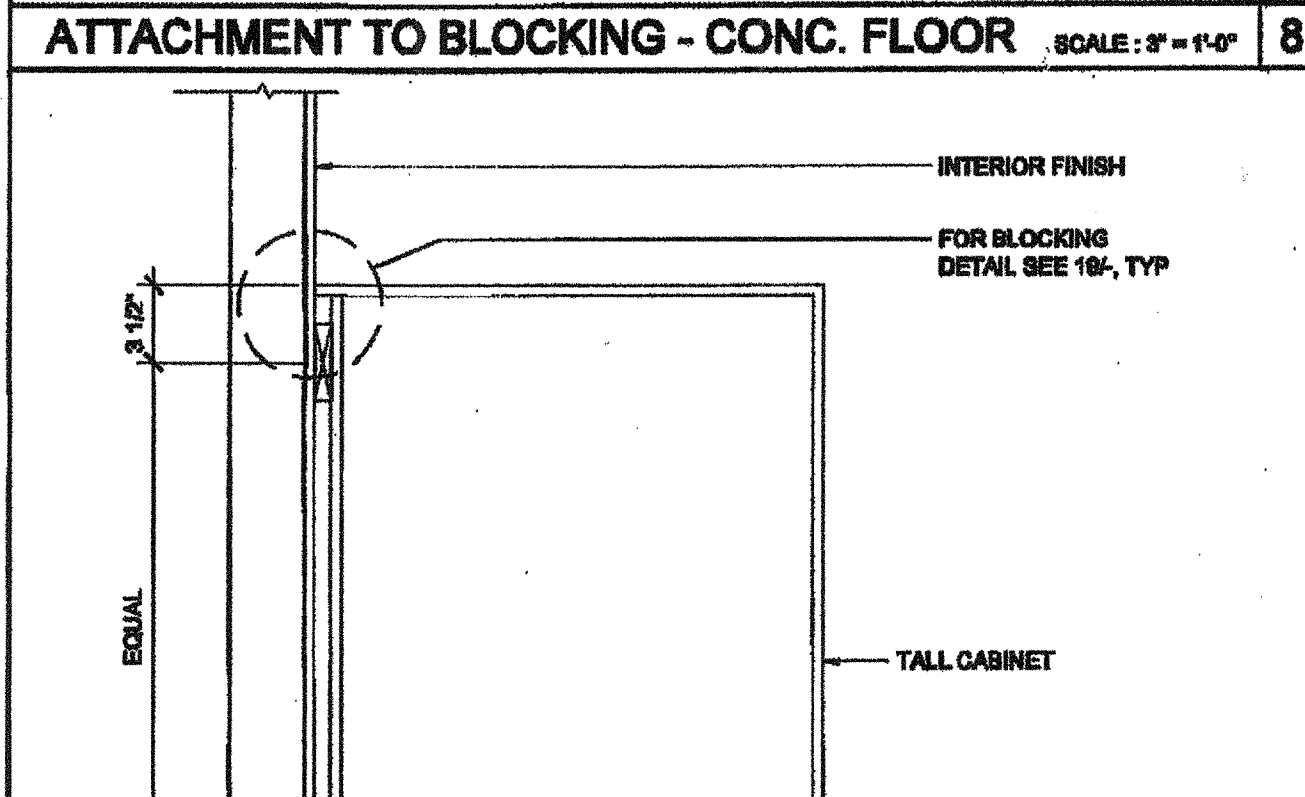
WALL HUNG ANCHORAGE CABINET AT WOOD STUD SCALE: 1 1/2" = 1'-0" 2



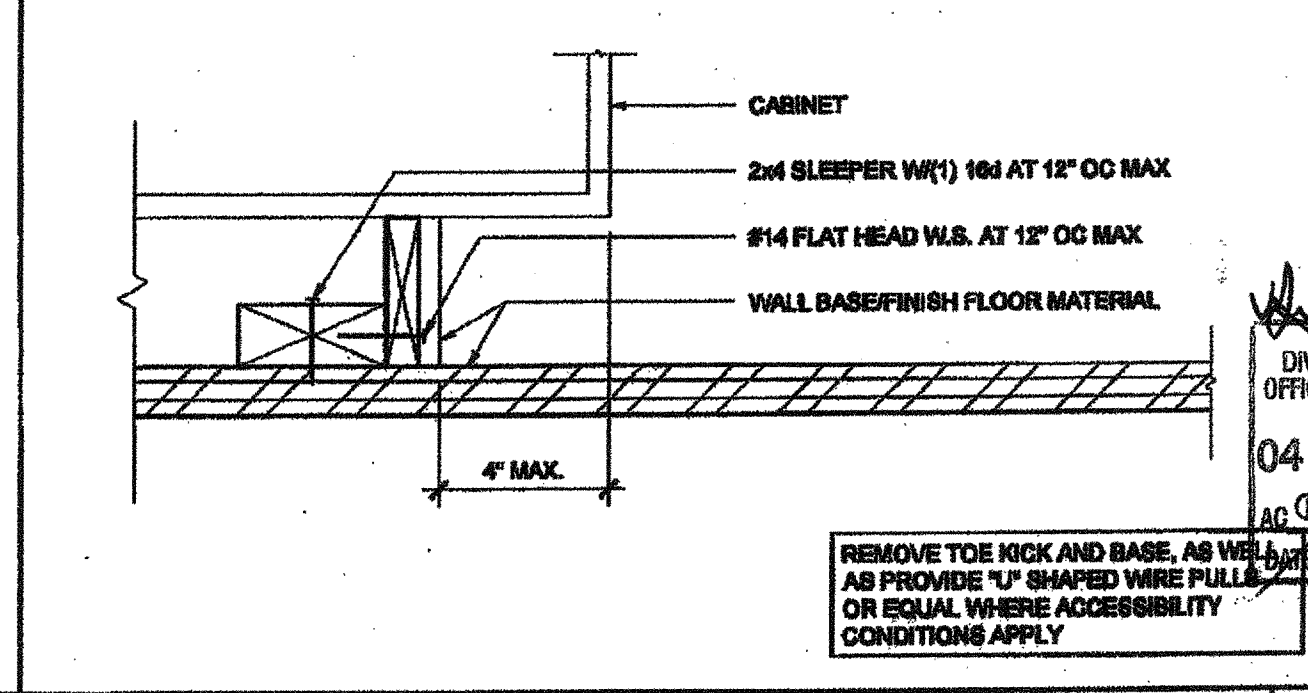
PROJECTION SCREEN MOUNTING SCALE: NTS 18



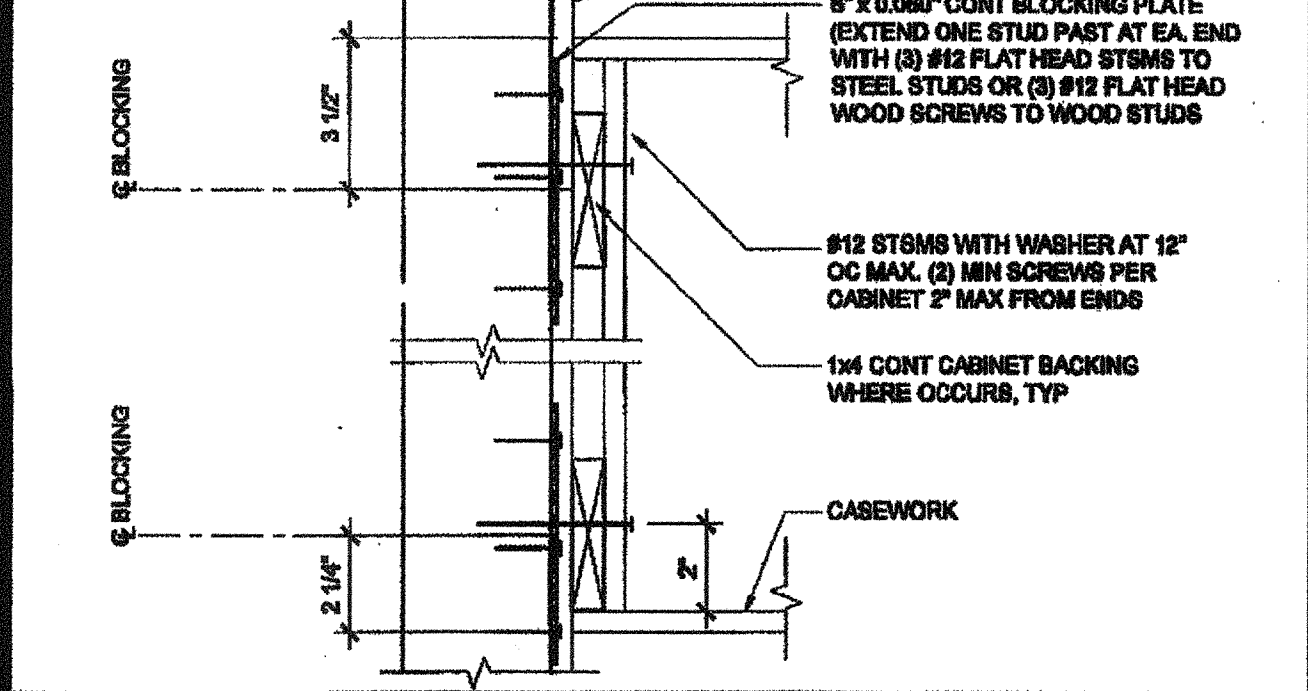
MARKER BOARD ATTACHMENT SCALE: 3/4" = 1'-0" 14



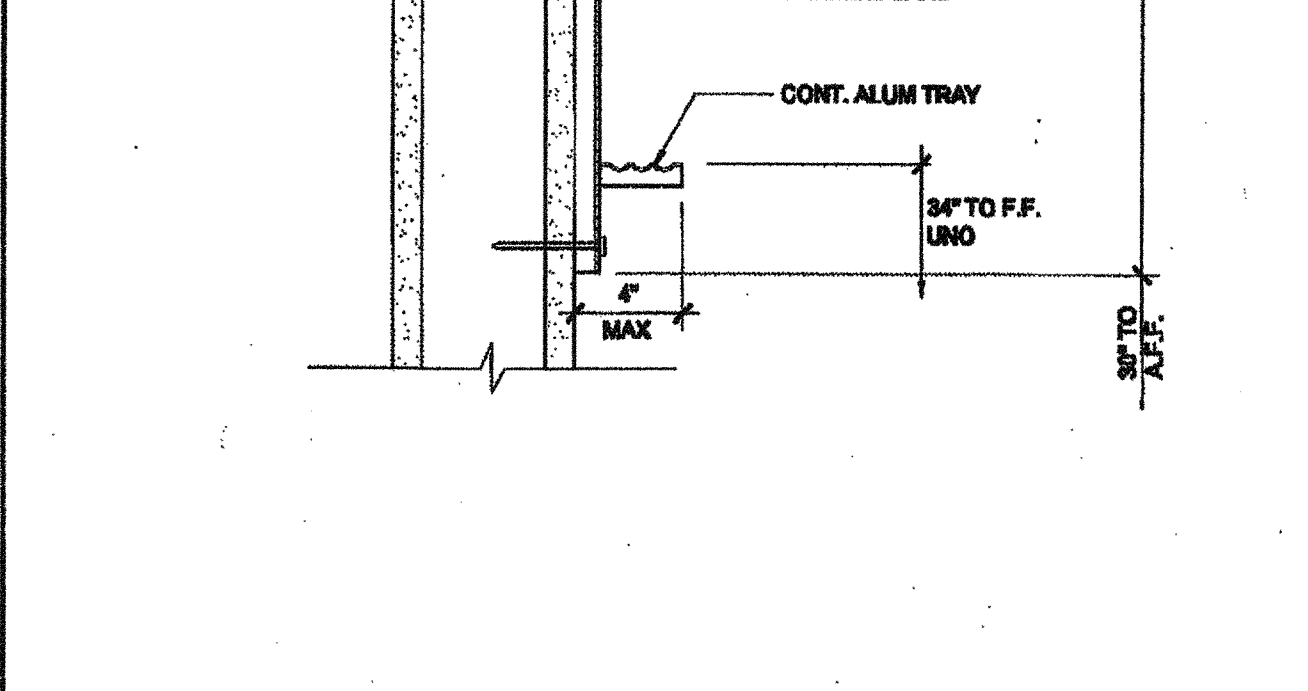
ATTACHMENT TO BLOCKING - WOOD FLOOR SCALE: 3/4" = 1'-0" 3



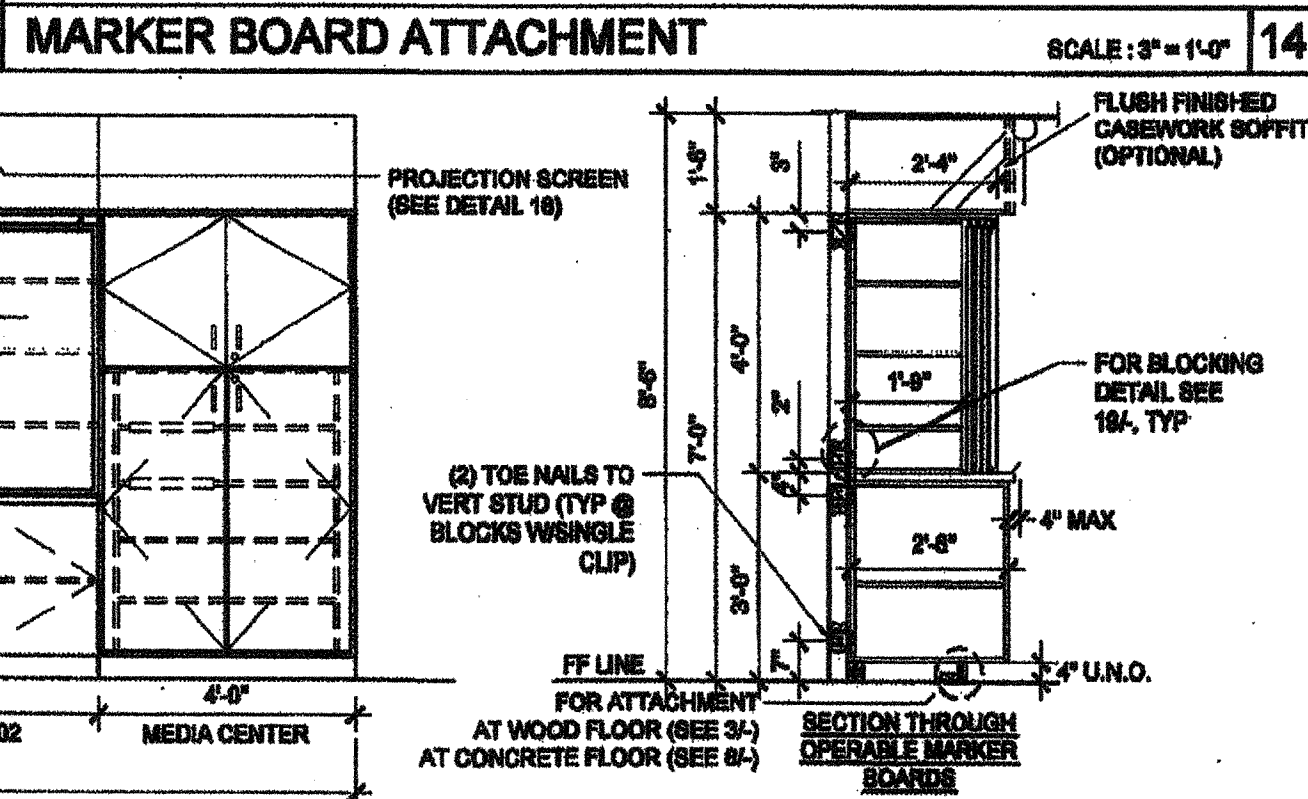
BASE CABINET WALL ANCHORAGE SCALE: 1" = 1'-0" 4



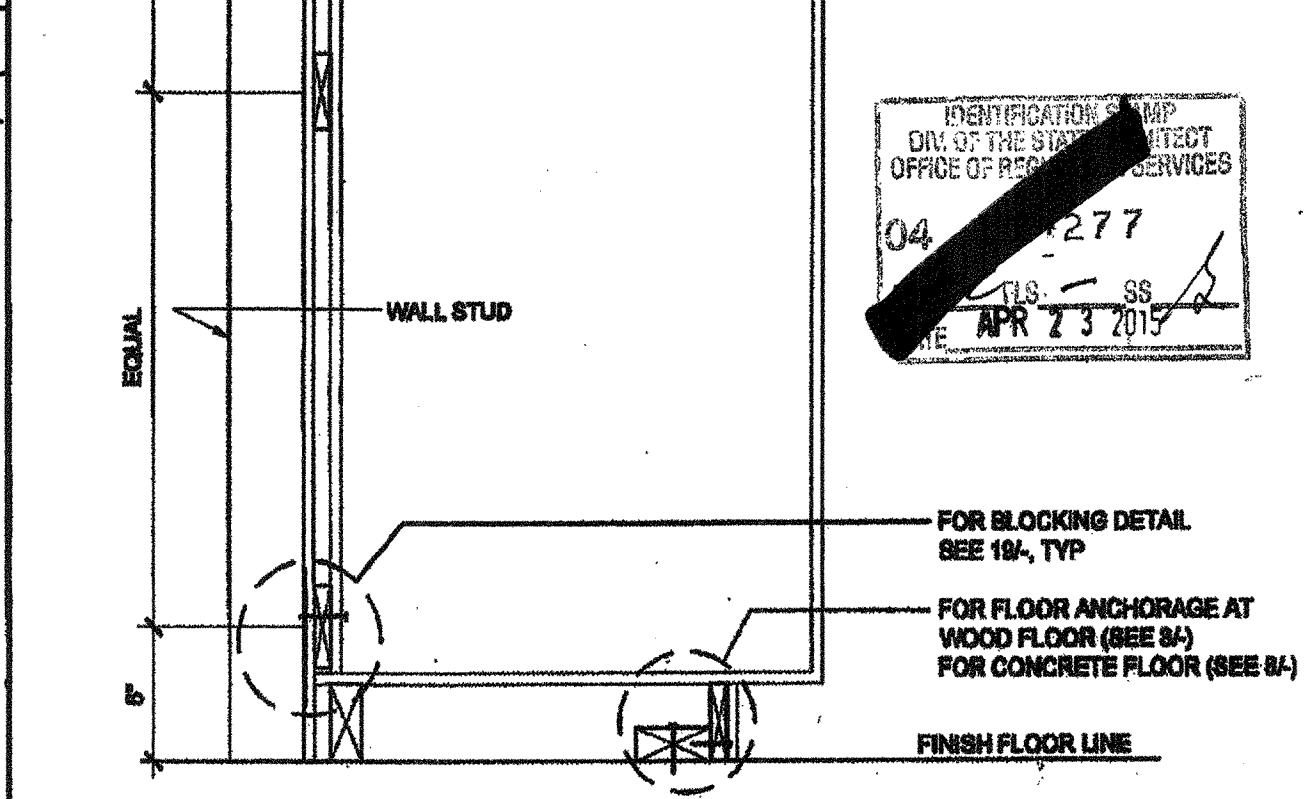
ATTACHMENT TO BLOCKING SCALE: 3/4" = 1'-0" 19



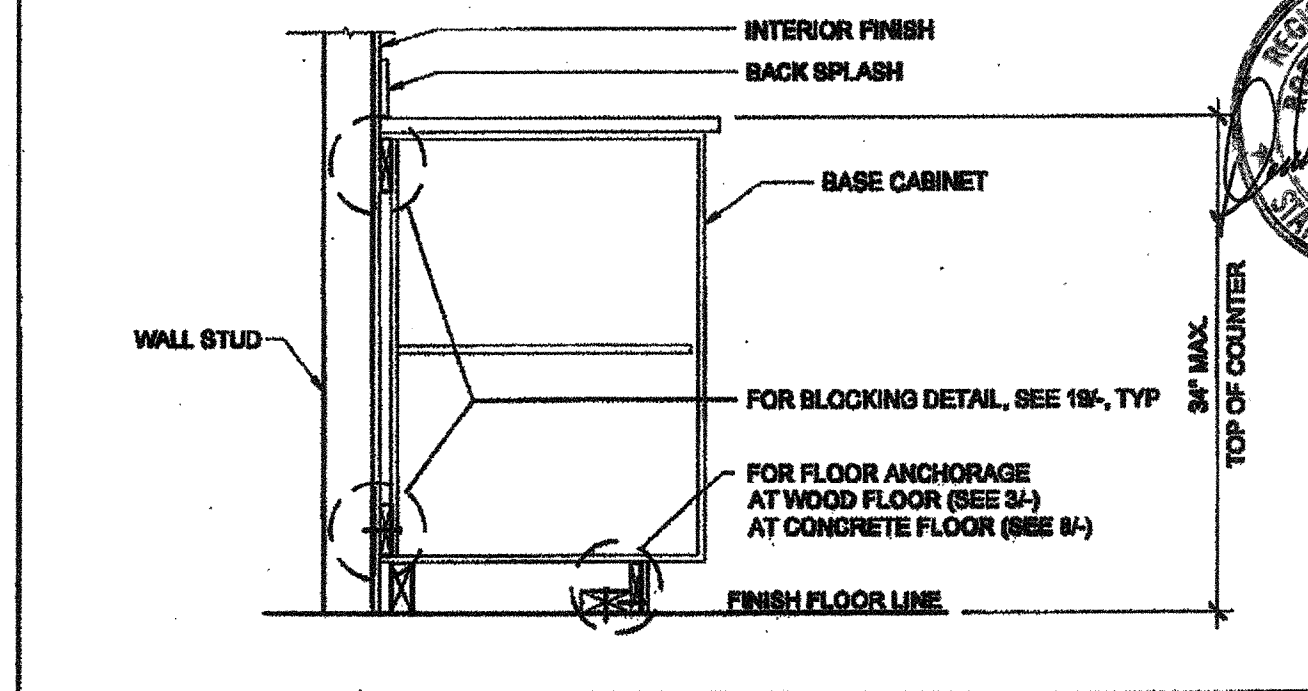
TEACHING WALL - ELEVATION / SECTION - OPTION SCALE: 3/8" = 1'-0" 15



TALL CABINET WALL ANCHORAGE SCALE: 1 1/2" = 1'-0" 10



WALL HUNG ANCHORAGE CABINET SCALE: 1 1/2" = 1'-0" 5



BASE CABINET WALL ANCHORAGE SCALE: 1" = 1'-0" 4

THESE DRAWINGS AND ALL MATERIAL CONTAINED HEREIN ARE THE PROPERTY OF SILVERCREEK INDUSTRIES, INC. (SOCI INC) AND SHALL NOT BE REPRODUCED, COPIED OR OTHERWISE DISPOSED OF DIRECTLY OR INDIRECTLY AND SHALL NOT BE USED IN WHOLE OR IN PART TO ASSIST IN THE MAKING OF OR FOR THE PURPOSE OF FURNISHING ANY INFORMATION FOR THE MAKING OF DRAWINGS, PRINTS, APPARATUS OR PARTS THEREOF WITHOUT THE FULL KNOWLEDGE AND WRITTEN CONSENT OF SOCI INC. ALL PATENTABLE MATERIAL CONTAINED HEREIN AND ORIGINATING WITH SOCI INC SHALL BE THE PROPERTY OF SOCI INC.



PROJECT NAME:  
**CLASS LEASING CLASSROOMS BLDG'S**

SHEET TITLE:  
**ARCHITECTURAL DETAILS MISCELLANEOUS/OPTIONS**



REVISIONS:  
FEB 26 2015  
NOV 20 2008

PROJECT SPECIFIC STATE AGENCY APPROVAL  
04 11 892  
APR 23 2015

IDENTIFICATION STAMP  
DIV. OF THE STATE ARCHITECT  
OFFICE OF REGULATION SERVICES  
PC 04-112072  
APR 23 2015

REVISIONS:  
SILVER CREEK INDUSTRIES  
PROJECT NO:  
DRAWN BY:  
SCALE: AS NOTED  
DATE: 12-22-11  
P.C. SHEET NUMBER  
**A-5.80** STKP 140