

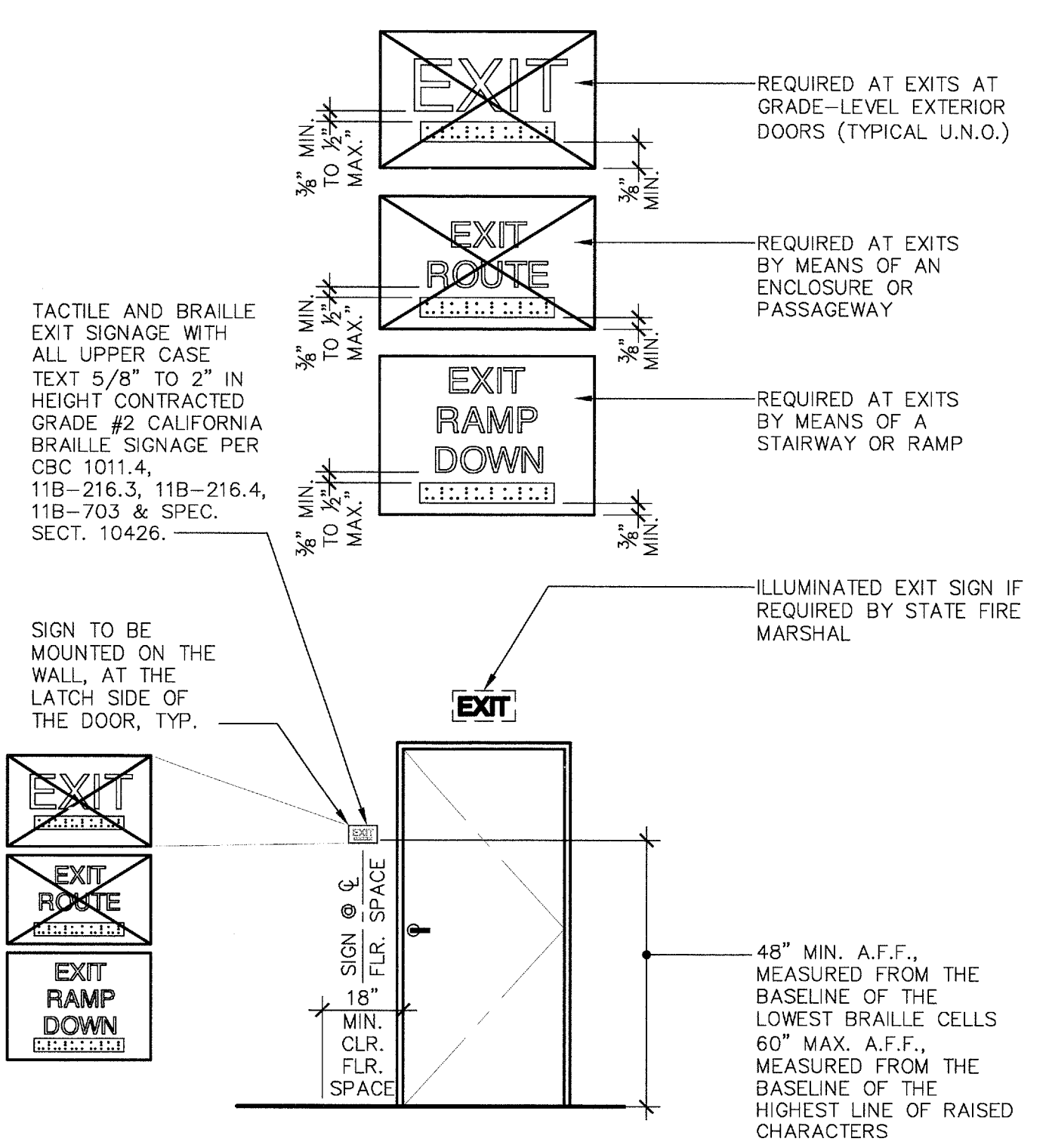
16 TYPICAL CHAIN LINK FENCE AND GATES
A1.03

TYPICAL FENCE & GATE KEYNOTES

- 1 4" O.D. GALVANIZED STEEL GATE POST (9.1 lb/ft)
- 2 2 7/8" O.D. GALVANIZED STEEL END OR CORNER POST (5.79 lb/ft)
- 3 2" O.D. GALVANIZED STEEL GATE FRAME (2.72 lb/ft)
- 4 1 5/8" O.D. GALVANIZED STEEL HORIZONTAL RAIL (2.27 lb/ft)
- 5 2"x2" MESH x 9 GAUGE GALVANIZED FENCE FABRIC WITH KNUCKLED TOP AND BOTTOM SELVAGE. FENCE FABRIC TO BE GALVANIZED BEFORE WEAVING (GBW)
- 6 1/4"x3/4" GALVANIZED STEEL STRETCHER BAR
- 7 GALVANIZED STEEL STRETCHER BAR TENSION BAND, MIN. OF 6 TENSION BANDS
- 8 9 GAUGE (0.148" DIA.) GALVANIZED STEEL TIE WIRES OR HOG RINGS AT 15" MAX. SPACING. MIN. 8 TIE WIRES PER EACH 10" HORIZONTAL RAIL
- 9 GALVANIZED ADJUSTABLE TURNBUCKLE FOR 3/8" DIA. TRUSS ROD
- 10 3/8" DIA. GALVANIZED STEEL ADJUSTABLE TRUSS ROD. TRUSS RODS REQUIRED FOR ALL GATE POST PANELS AND END OR CORNER POST PANELS
- 11 3/8"x6" GALVANIZED HOOK BOLT WITH NUT IMBEDDED IN MIDWAY BETWEEN POSTS
- 12 7 GAUGE (0.177" DIA.) GALVANIZED STEEL TENSION WIRE
- 13 RAINPROOF CAP
- 14 LOCKING HASP
- 15 180° GATE HINGE, TYP
- 16 12"Ø CONCRETE POST FOOTING (TYP.)
- 17 TRIM, LEVER HANDLE & RIM CYLINDER LOCK PER DISTRICT STANDARD MOUNT BETWEEN 34 TO 44"
- 18 16ga GATE GUARD
- 19 10" HIGH x GATE WIDTH, 16 ga POWDER-COATED METAL KICK PLATE, TYP BOTH SIDES OF GATE.

SCALE: N.T.S.

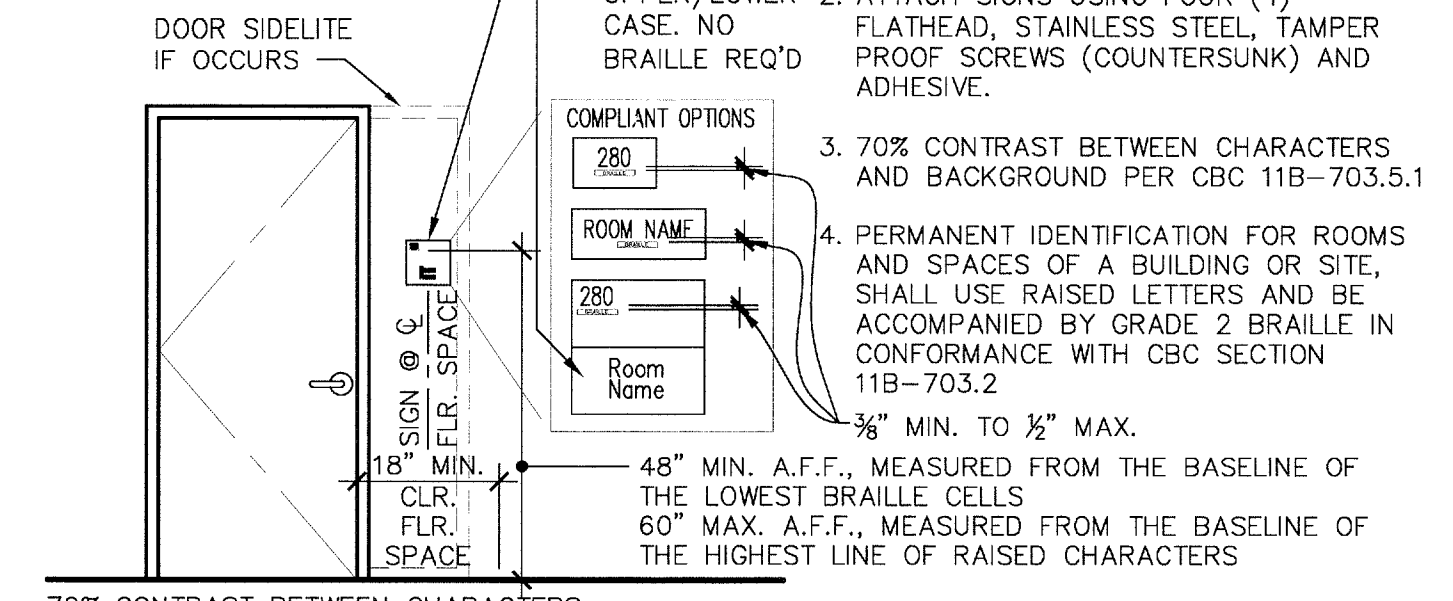
- NOTES:
- DOOR SIGNS TO BE CONSTRUCTED FROM 1/4" THICK PLASTIC OR HEAT STAMPED FIGURES. COLORS TO BE SELECTED BY ARCHITECT.
 - ATTACH SIGNS USING FOUR (4) FLATHEAD, STAINLESS STEEL, TAMPER PROOF SCREWS, (COUNTERSUNK) AND ADHESIVE.
 - 70% CONTRAST BETWEEN CHARACTERS AND BACKGROUND



2 TYPICAL EXTERIOR DOOR SIGNAGE
A1.03

SCALE: 1" = 1'-0"

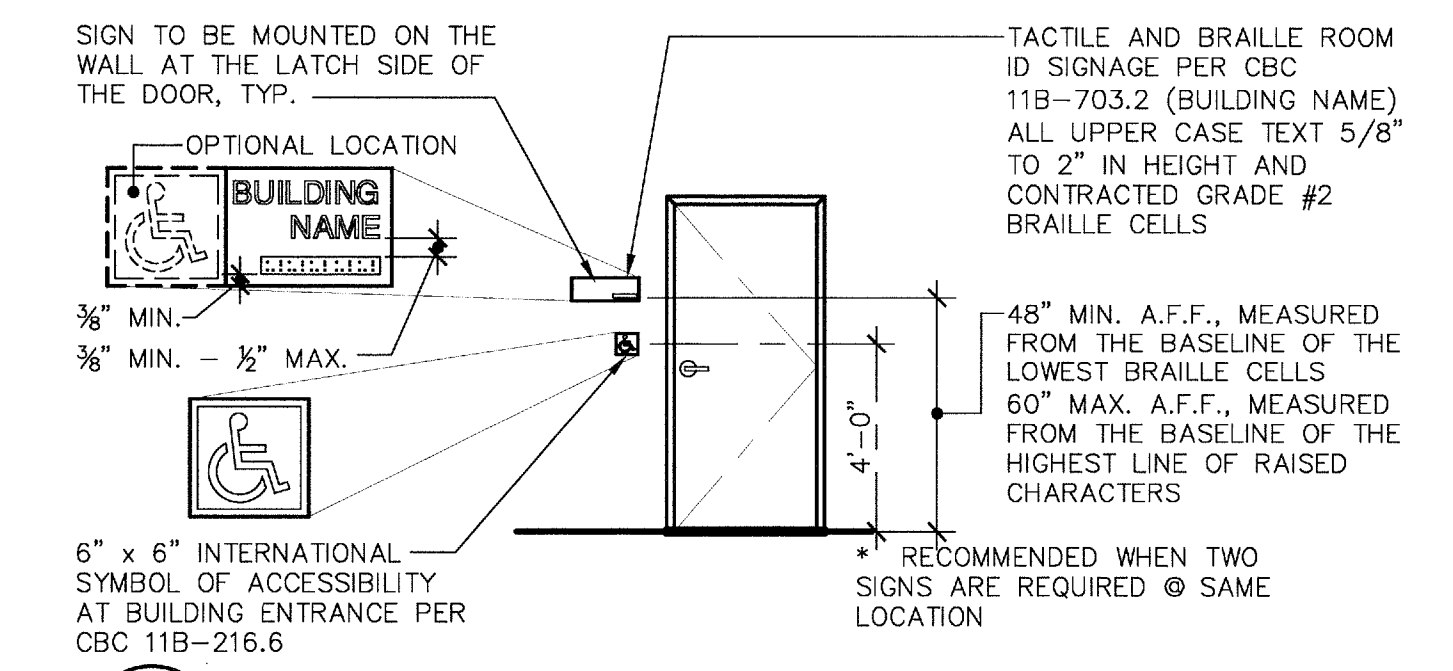
- TACTILE & BRAILLE ROOM ID SIGNAGE, CBC 11B-216.2
ALL UPPER CASE TEXT 5/8"-2" HEIGHT CONTRACTED GRADE #2 CALIFORNIA BRAILLE PER SPEC. SECT. 10426.
- DOOR SIDELITE IF OCCURS
- 70% CONTRAST BETWEEN CHARACTERS AND BACKGROUND
- NOTES:
- DOOR SIGNS TO BE CONSTRUCTED FROM 1/4" THICK PLASTIC OR HEAT STAMPED FIGURES. COLORS TO BE SELECTED BY ARCHITECT.
 - ATTACH SIGNS USING FOUR (4) FLATHEAD, STAINLESS STEEL, TAMPER PROOF SCREWS (COUNTERSUNK) AND ADHESIVE.
 - 70% CONTRAST BETWEEN CHARACTERS AND BACKGROUND PER CBC 11B-703.5.1
 - PERMANENT IDENTIFICATION FOR ROOMS AND SPACES OF A BUILDING OR SITE, SHALL USE RAISED LETTERS AND BE ACCOMPANIED BY GRADE 2 BRAILLE IN CONFORMANCE WITH CBC SECTION 11B-703.2



3 ROOM ID SIGNAGE
A1.03

SCALE: NO SCALE

- NOTES:
- DOOR SIGNS TO BE CONSTRUCTED FROM 1/4" THICK PLASTIC OR HEAT STAMPED FIGURES. COLORS TO BE SELECTED BY ARCHITECT.
 - ATTACH SIGNS USING FOUR (4) FLATHEAD, STAINLESS STEEL, TAMPER PROOF SCREWS (COUNTERSUNK) AND ADHESIVE.
 - 70% CONTRAST BETWEEN CHARACTERS AND BACKGROUND PER CBC 11B-703.5.1
 - ISA SYMBOL CAN ALSO BE PLACED ON DOOR. THE LOCATION IS NOT REGULATED.



4 BUILDING ENTRANCE/ISA SIGNAGE
A1.03

SCALE: 1" = 1'-0"

Ownership of Documents
This document, the ideas and designs incorporated herein, as an instrument of Professional Service is the property of Integrated Design by SOMAM, Inc. and is not to be used, in whole or in part for any other project without written authorization. © COPYRIGHT 2015

integrated designs by SOMAM, Inc.
ARCHITECTURE · ENGINEERING · INTERIOR DESIGN · CONSTRUCTION MANAGEMENT
8011 N. Fresno, Suite 130 - Fresno, California 93710
Phone (559) 438-0881 Fax (559) 438-0887 E-Mail: design@somam.com
www.integrateddesign.com

Rev. No.	Date	Revision Description

SITE DETAILS

(1) RELOCATABLE CLASSROOM WAYSIDE ELEMENTARY SCHOOL
BAKERSFIELD CITY SCHOOL DISTRICT
1000 MING AVE. BAKERSFIELD, CA 93307

Issue Date: 04/13/16
Date: 04/13/16
Designer: [Signature]
DR: [Signature]
PC: AM

Agency Approval Stamp:
IDENTIFICATION STAMP
DIV. OF THE STATE ARCHITECT
APPD3 116975
AC: ME FLS SS
DATE: 11/27/15

Stamp(s):
[Professional Seal: Licensed Architect Curtis E. Lewis, No. C 28566, State of California]

Job No: **5170**

Sheet No: **A1.03**

Release: -

G:\2015frs\15-5170 Wayside ES Reloc\Sheets\5170-A103 SITE DETAILS.dwg RICHARD DELLANIN