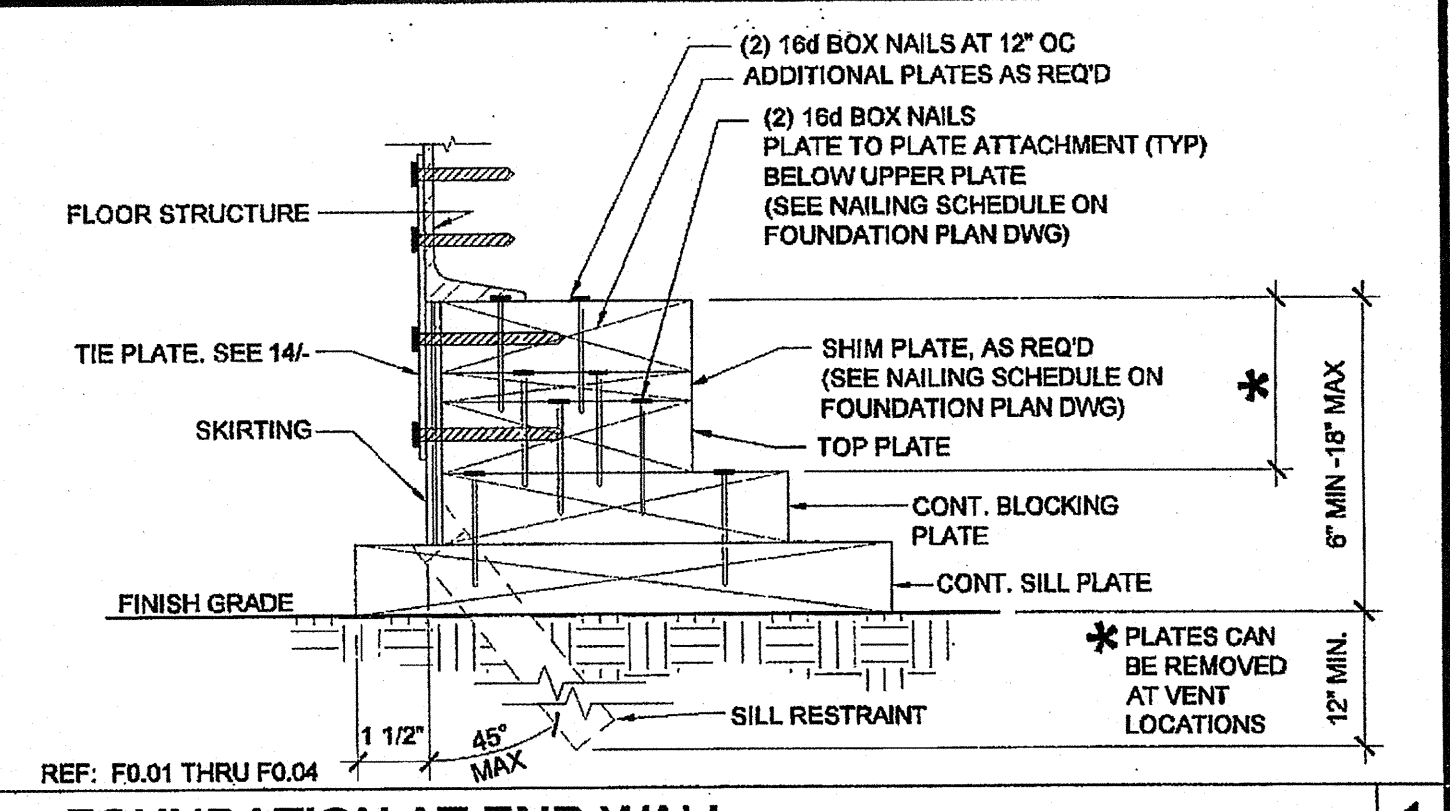
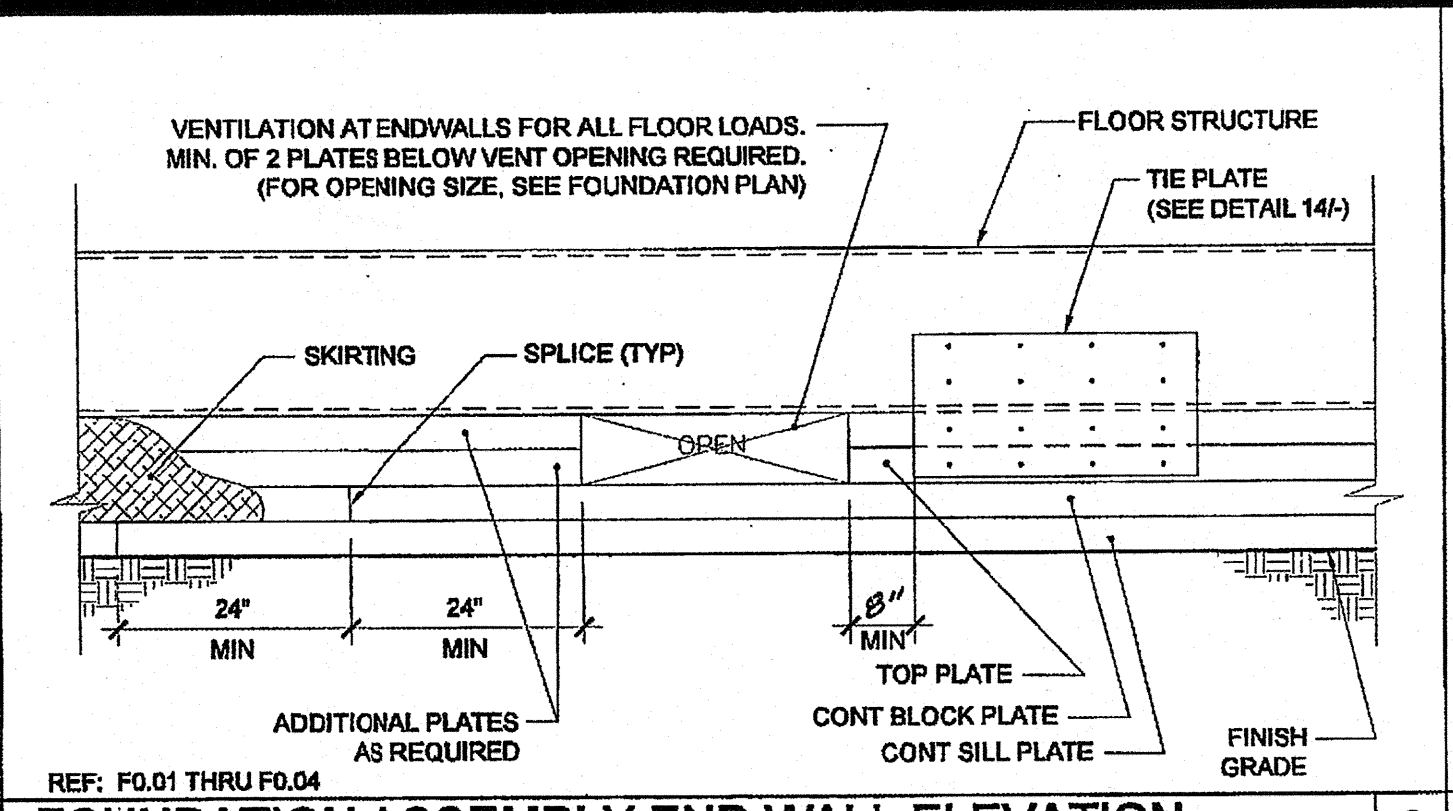


NOT USED

NOT USED



NOT USED

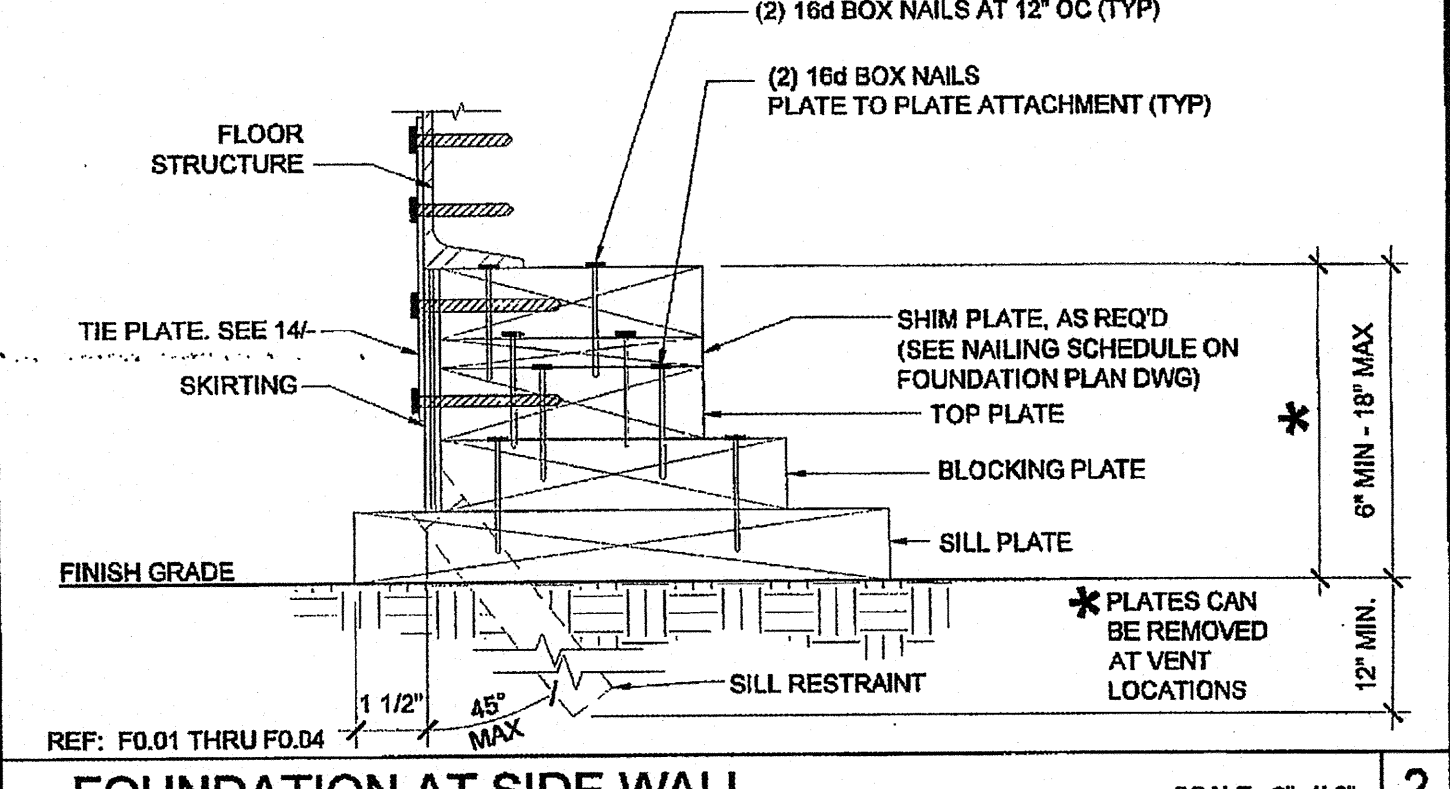
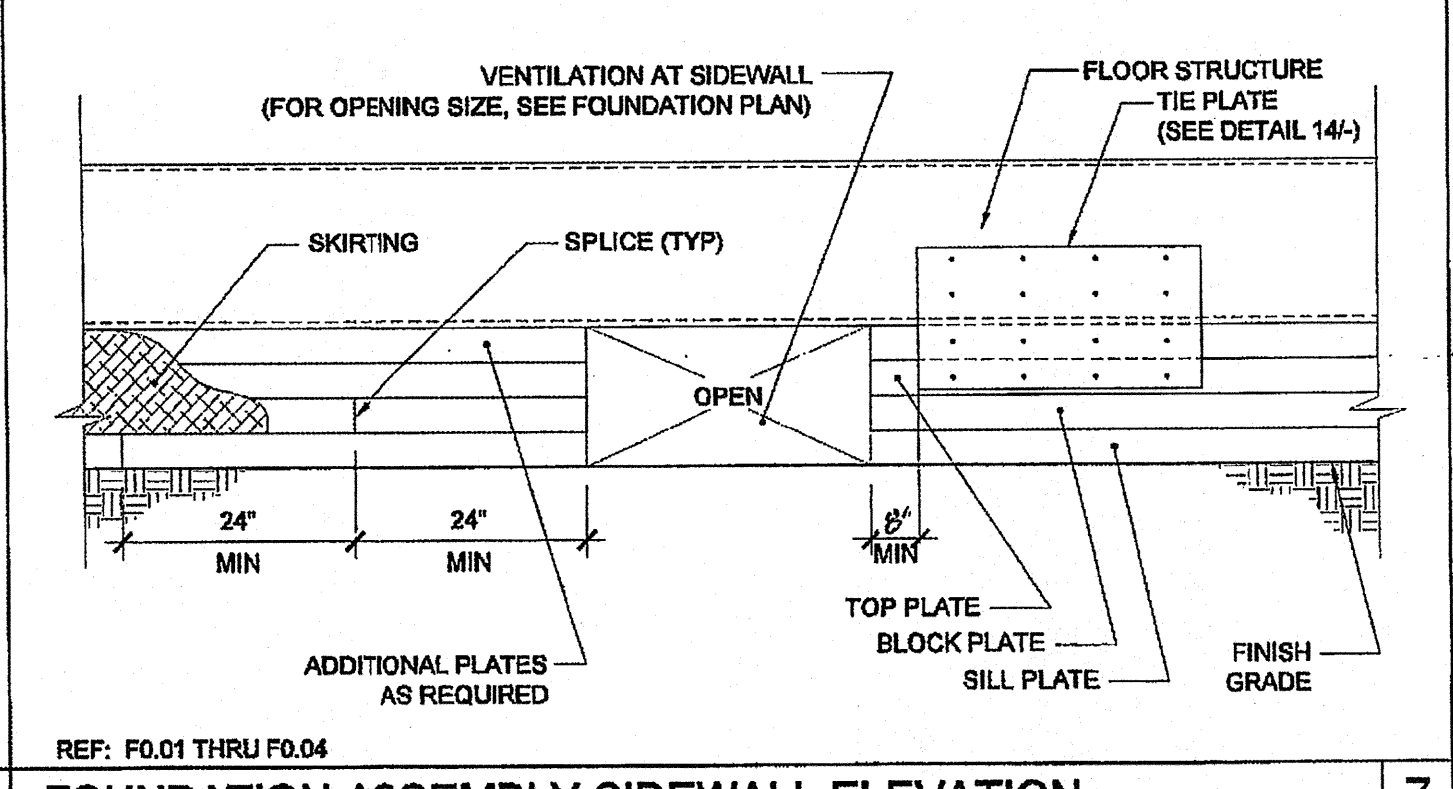
NOT USED

FOUNDATION ASSEMBLY END WALL ELEVATION SCALE: 1 1/2"=1'-0" 6

FOUNDATION AT END WALL SCALE: 3"=1'-0" 1

NOT USED

NOT USED



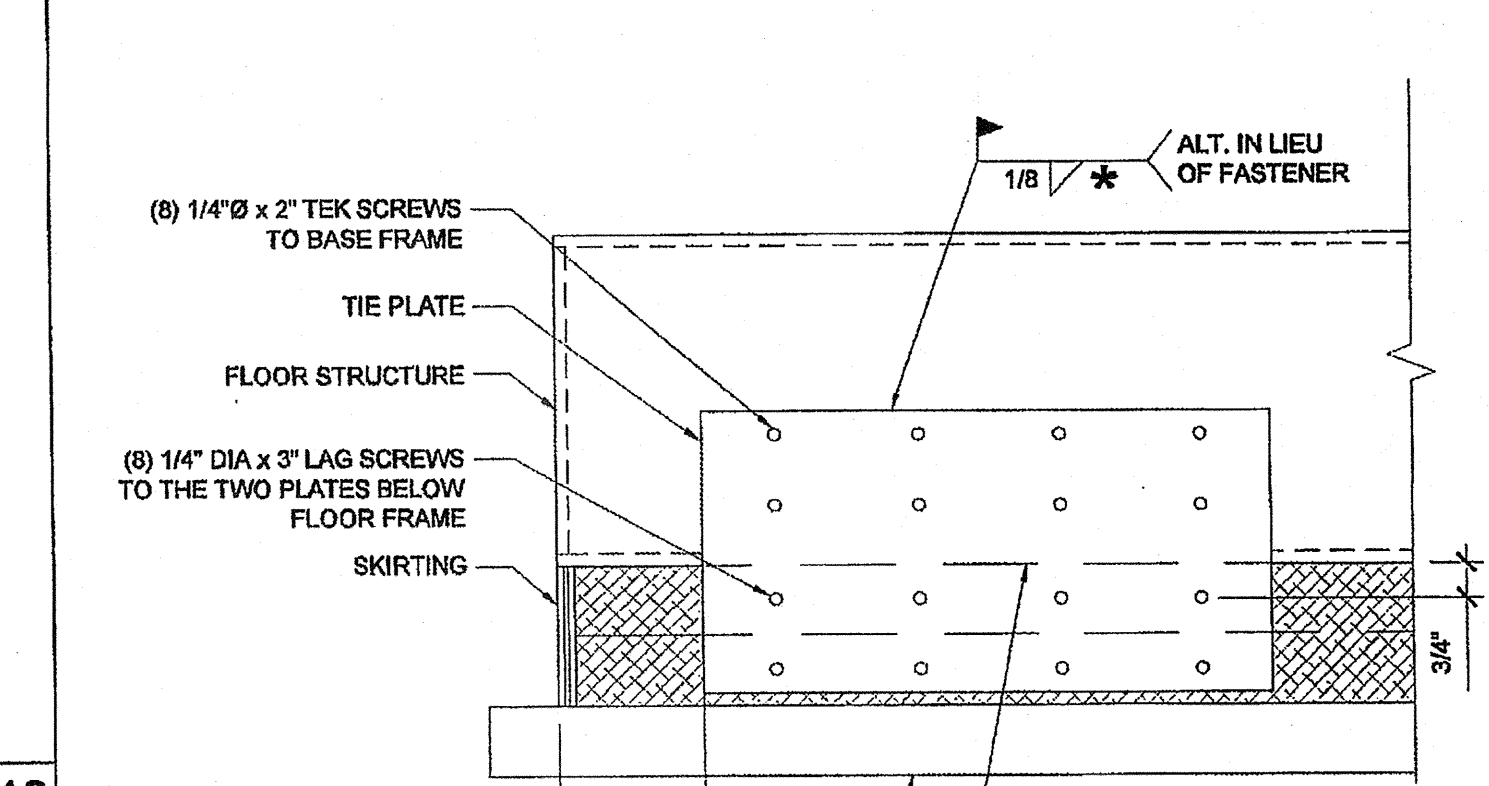
NOT USED

NOT USED

FOUNDATION ASSEMBLY SIDEWALL ELEVATION SCALE: 1 1/2"=1'-0" 7

FOUNDATION AT SIDE WALL SCALE: 3"=1'-0" 2

NOT USED



NOT USED

NOT USED

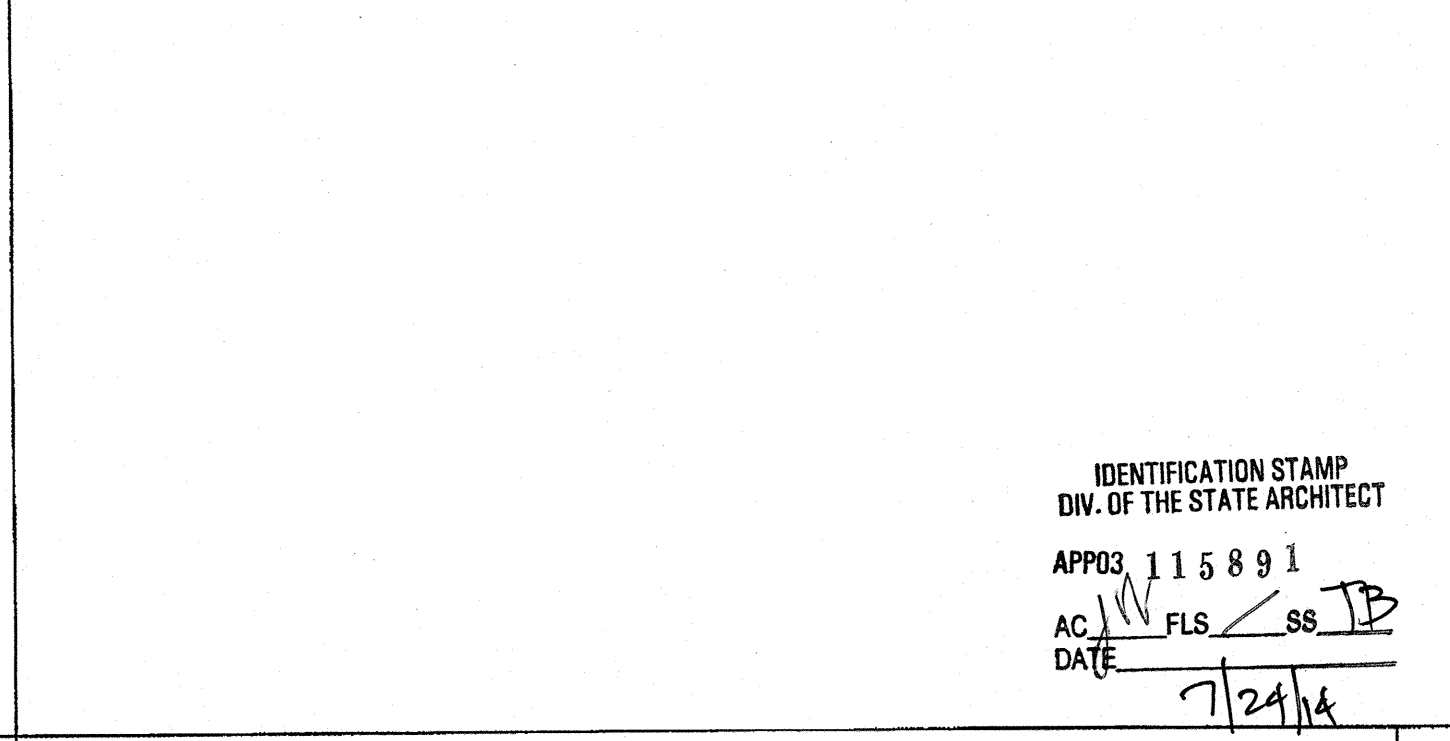
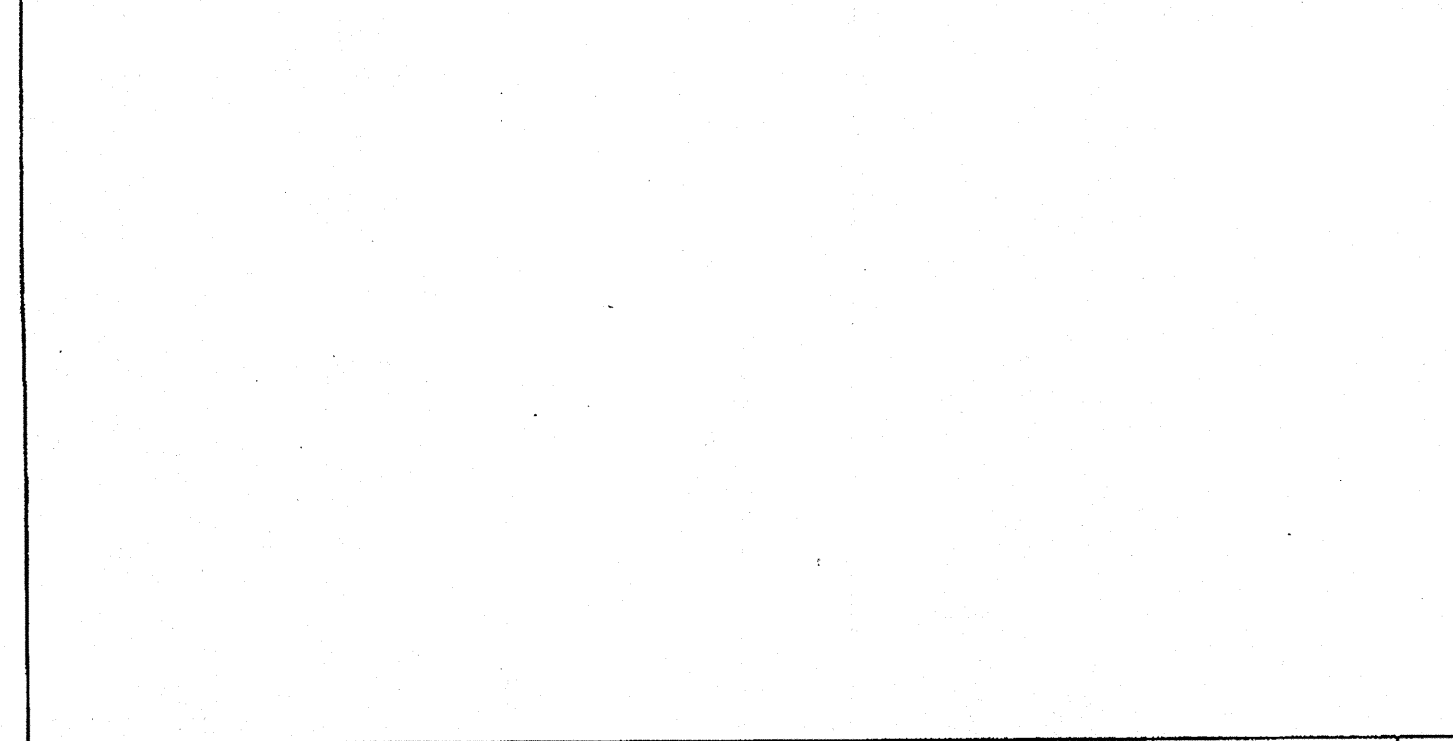
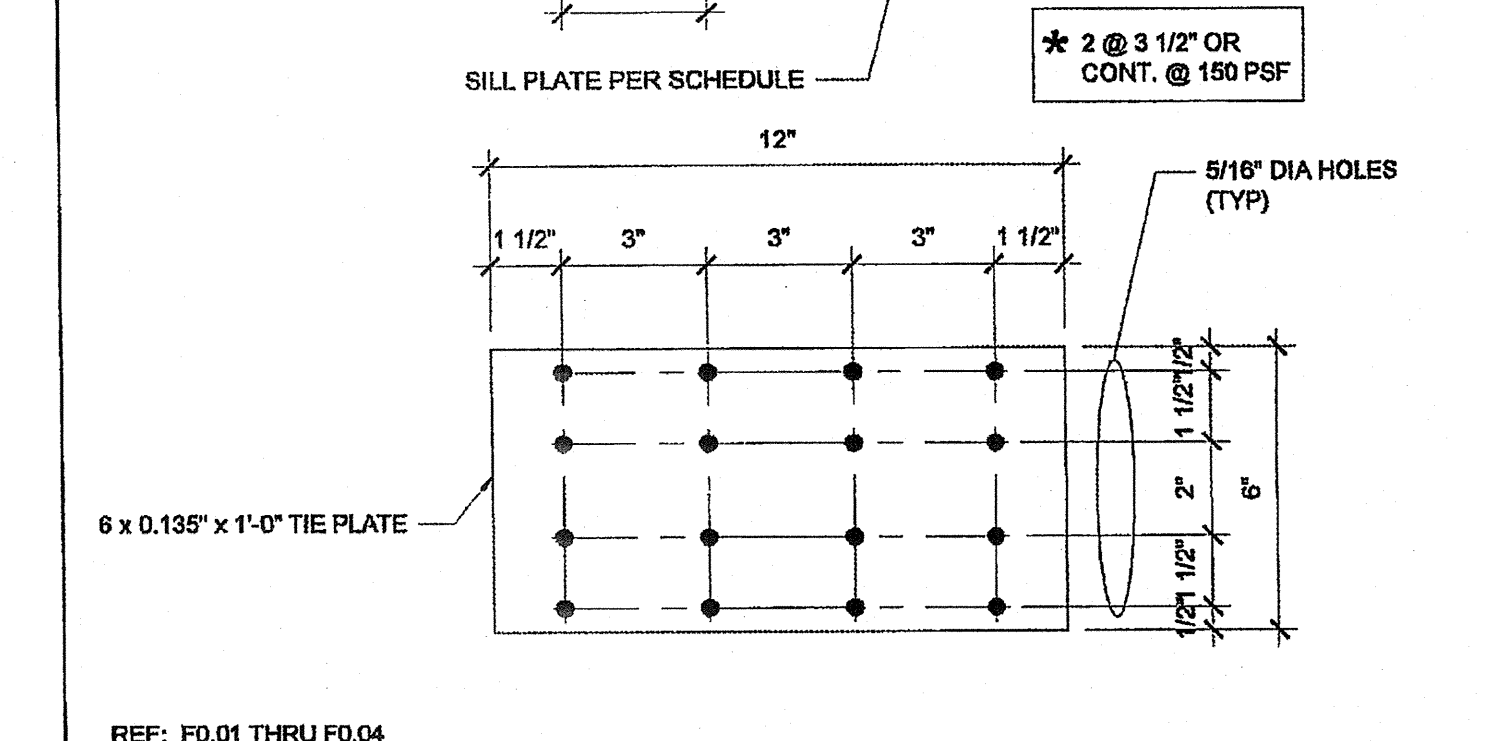
NOT USED

NOT USED

NOT USED 8

NOT USED 3

NOT USED



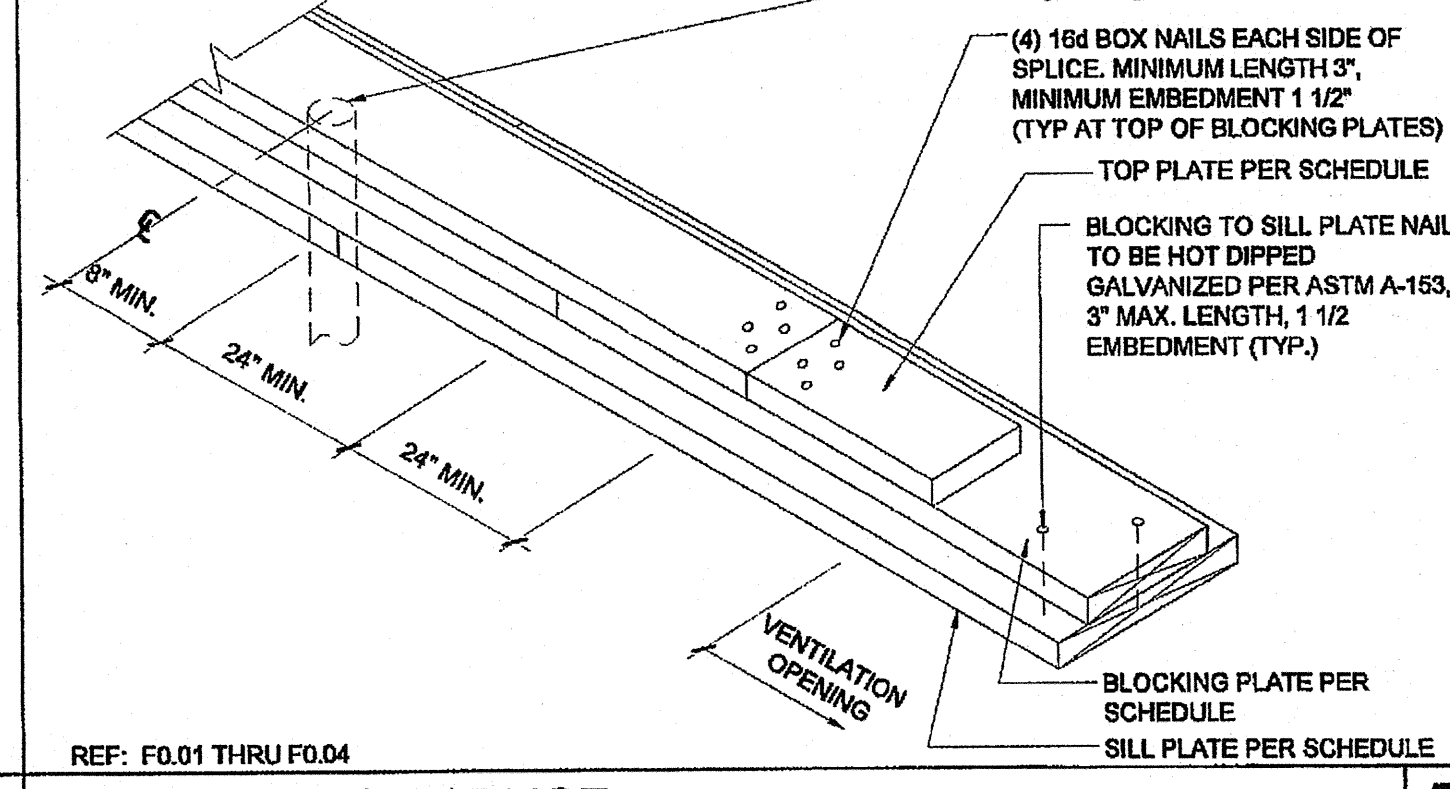
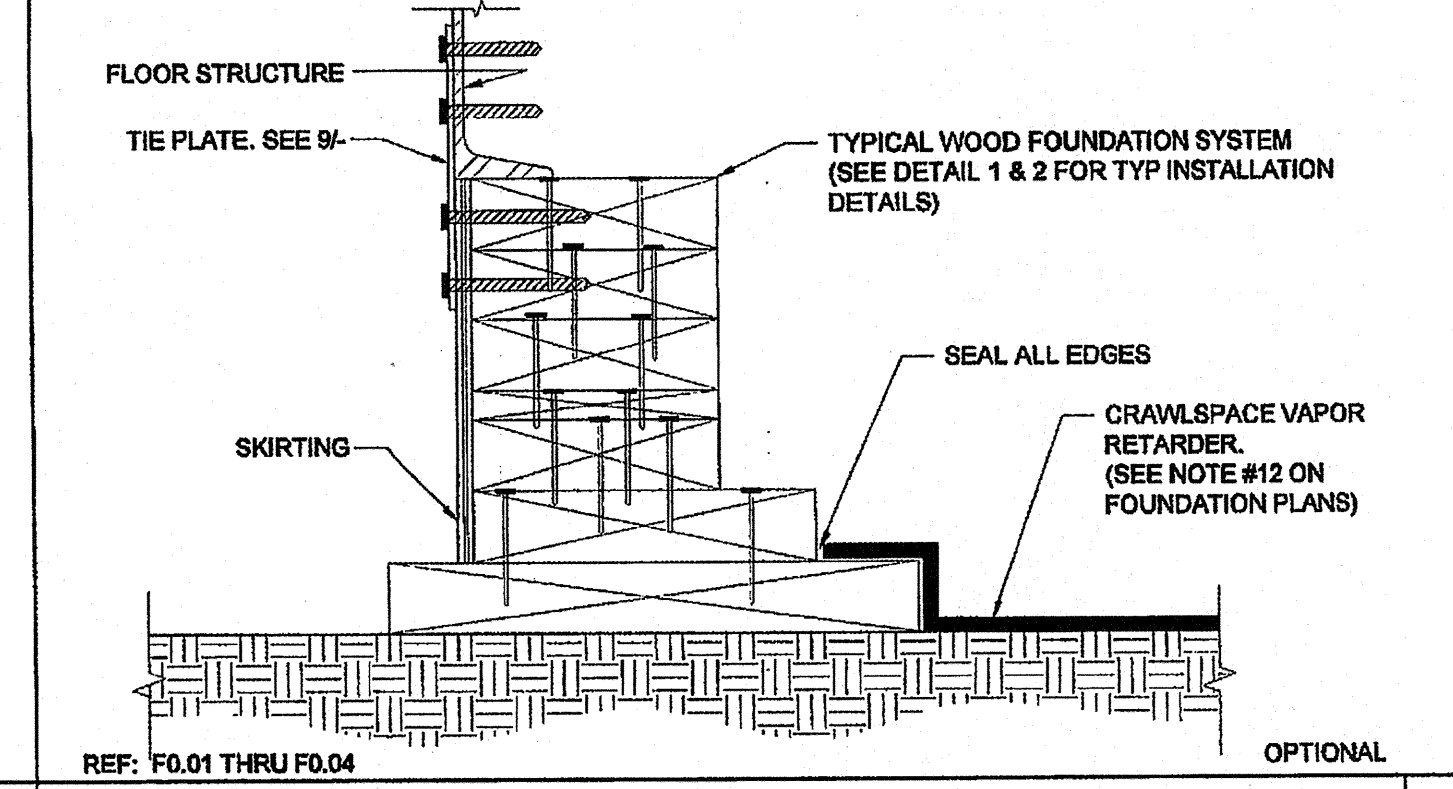
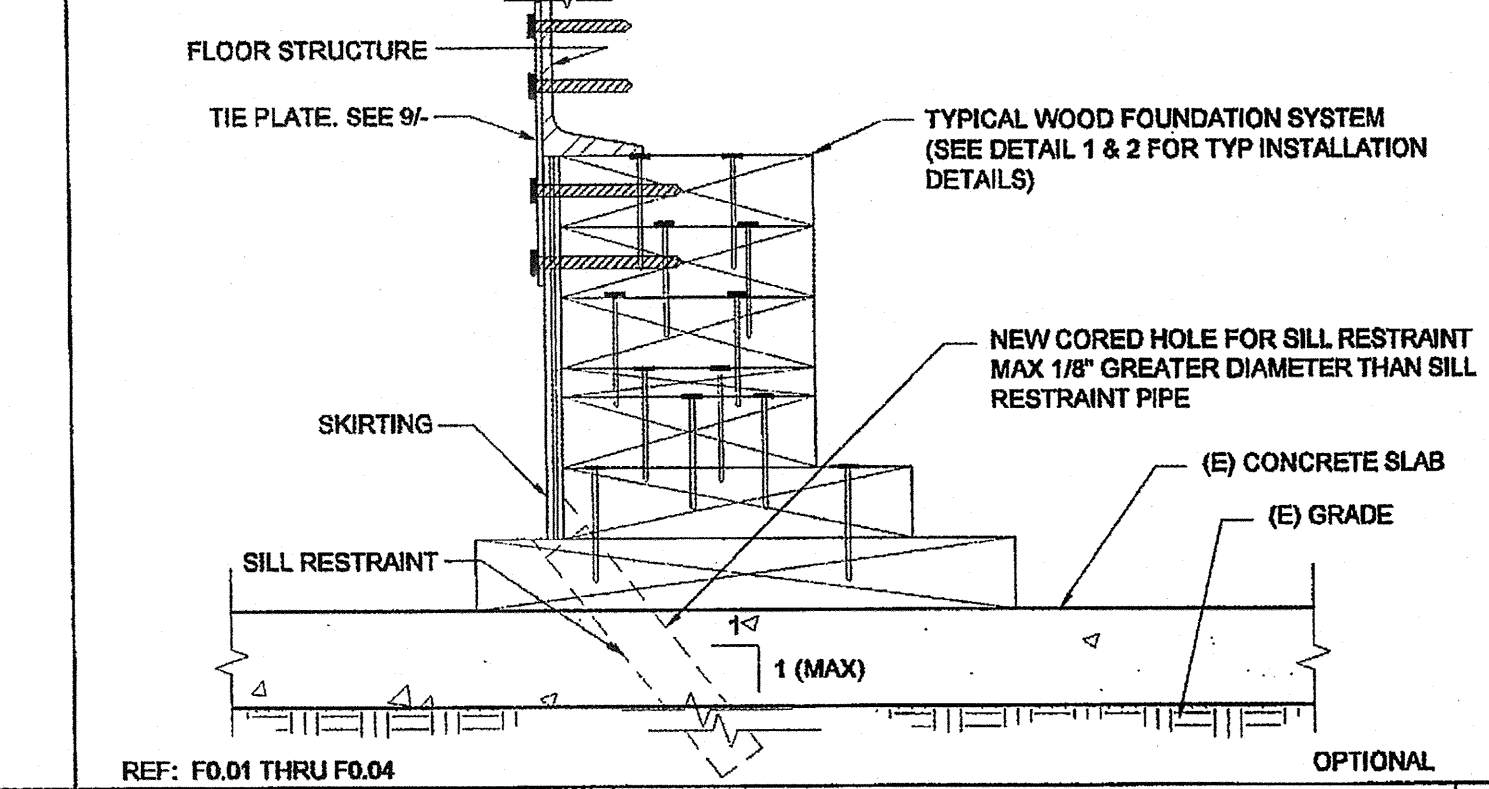
NOT USED

TIE PLATE SCALE: 3"=1'-0" 14

NOT USED

NOT USED 9

NOT USED



NOT USED

FOUNDATION ANCHORAGE AT CONCRETE PAD SCALE: 3"=1'-0" 20

CRAWLSPACE VAPOR RETARDER SCALE: 3"=1'-0" 15

FOUNDATION SPLICE SCALE: NTS 5

THESE DRAWINGS AND ALL MATERIAL CONTAINED HEREIN ARE THE PROPERTY OF SILVERCREEK INDUSTRIES, INC (SCI Inc) AND SHALL NOT BE REPRODUCED, COPIED OR OTHERWISE DISPOSED OF DIRECTLY OR INDIRECTLY AND SHALL NOT BE USED IN WHOLE OR IN PART TO ASSIST IN THE MAKING OF OR FOR THE PURPOSE OF FURNISHING ANY INFORMATION FOR THE MAKING OF DRAWINGS, PRINTS, APPARATUS OR PARTS THEREOF WITHOUT THE FULL KNOWLEDGE AND WRITTEN CONSENT OF SCI Inc. ALL PATENTABLE MATERIAL CONTAINED HEREIN AND ORIGINATING WITH SCI Inc SHALL BE THE PROPERTY OF SCI Inc

SILVER CREEK INDUSTRIES, INC.

SILVER CREEK

"BUILDING FOR THE NEXT GENERATION"

195 EAST MORGAN PERRIS, CALIFORNIA 92571
PHONE: 951-943-5393 FAX: 951-943-2211

PROJECT NAME:

Class Leasing

SHEET TITLE:

**FOUNDATION
DETAILS
WOOD**

STAVARES ASSOCIATES

REGISTERED ARCHITECT

12/23/2011

ARCHITECT OF RECORD
SUBMISSION DATE

REGISTERED ARCHITECT

12/23/2011

PROJECT SPECIFIC STATE AGENCY APPROVAL

IDENTIFICATION STAMP
DIV. OF THE STATE ARCHITECT
OFFICE OF REGULATION SERVICES

04 113309

AC FLS SS JB

DATE DEC 19 2013

ORIGINAL PC STATE AGENCY APPROVAL

PRE-CHECK (PO) DOCUMENT
FOR CONSTRUCTION IS REQUIRED

IDENTIFICATION STAMP
DIV. OF THE STATE ARCHITECT
OFFICE OF REGULATION SERVICES

PC 04-112137

AC FLS SS JB

DATE DEC 9 2011

REVISIONS

SILVER CREEK INDUSTRIES
12" x 40" PC

PROJECT NO:

DRAWN BY:

SCALE: AS NOTED

DATE: 6-17-11

P.C. SHEET NUMBER

F-0.50