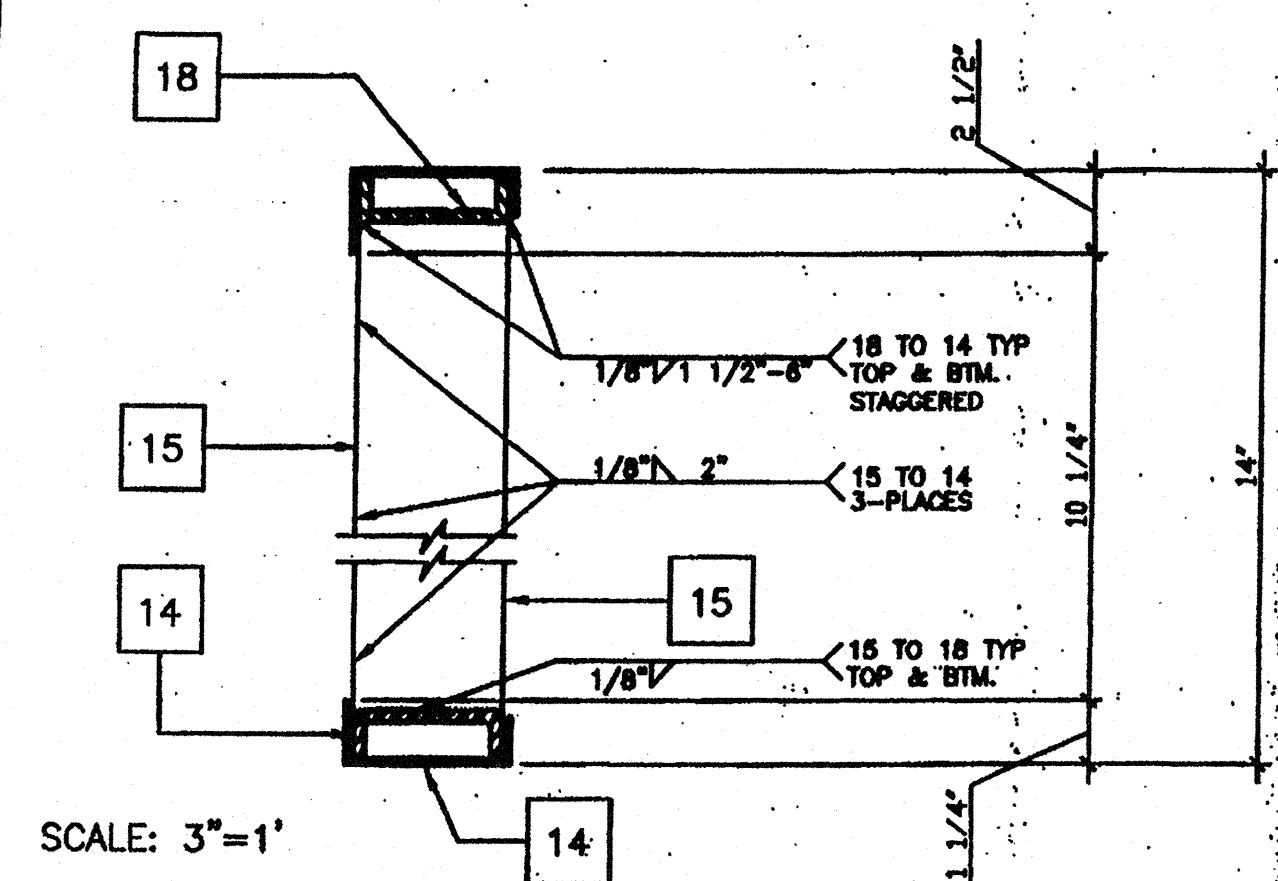
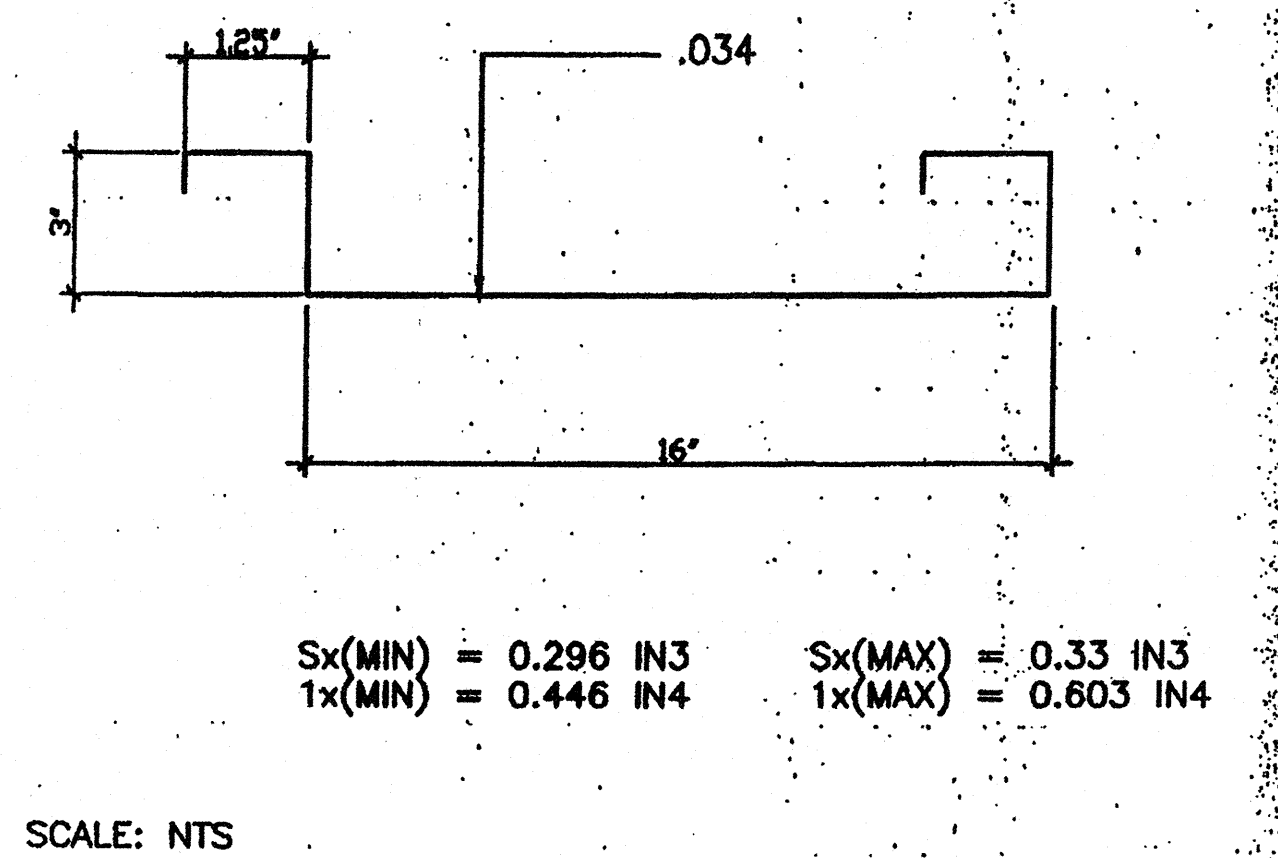


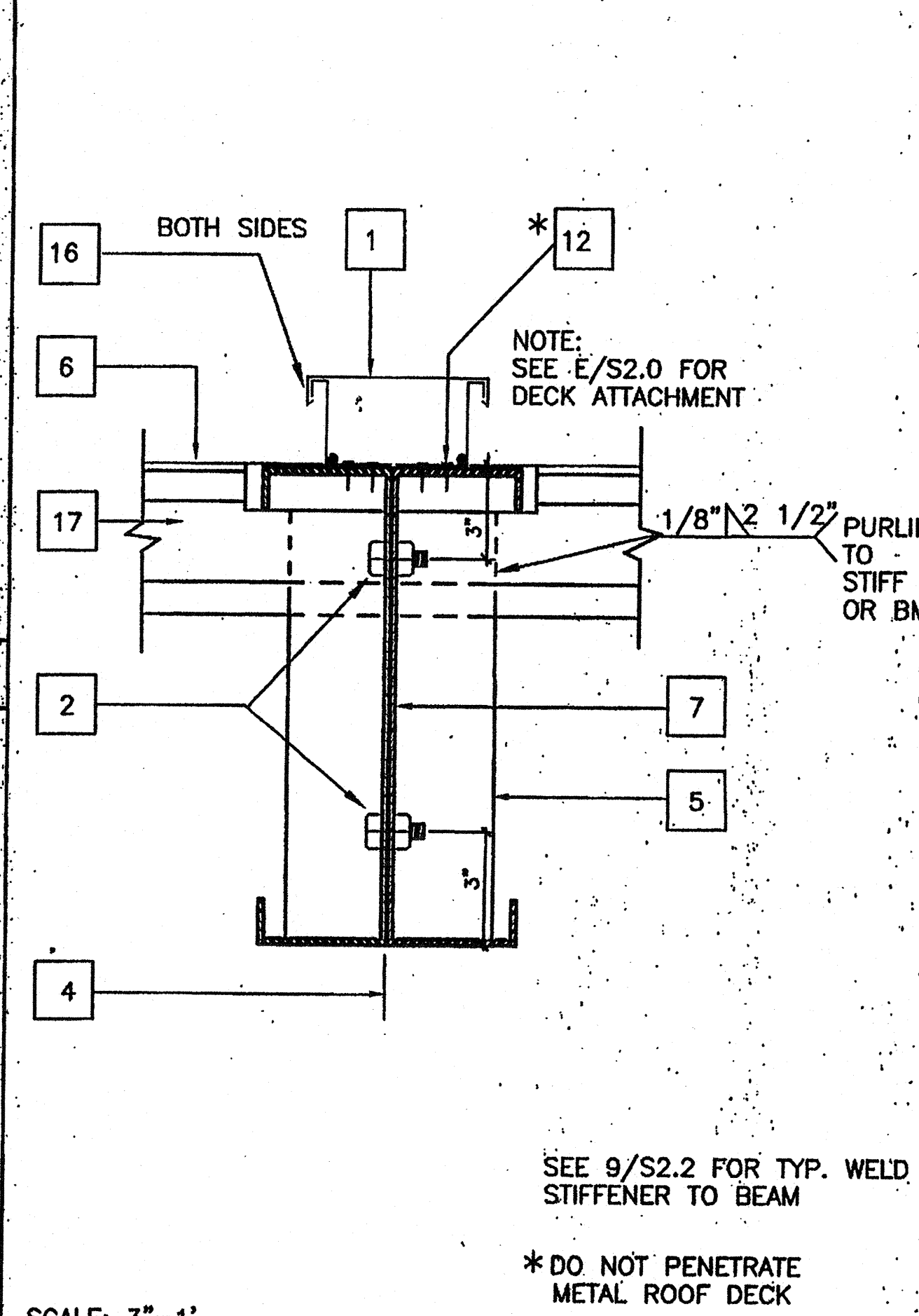
MECH. DUCT OPENING IN ROOF BM. 8



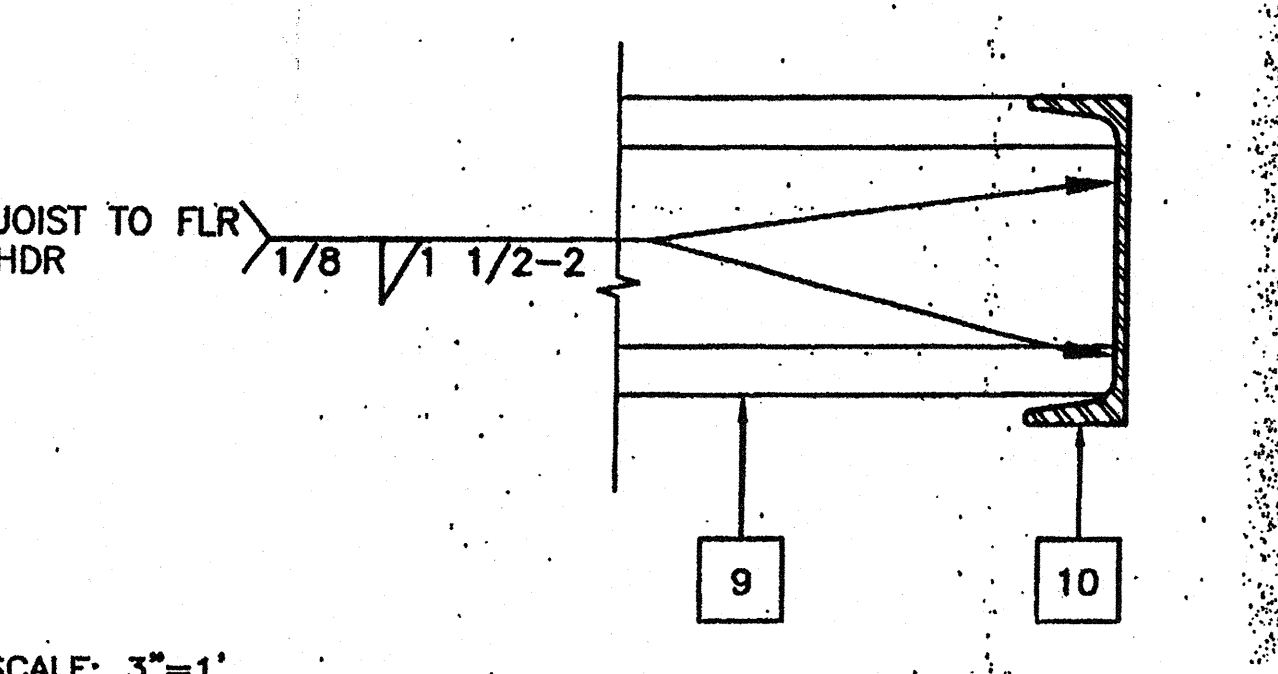
MECH. DUCT OPENING IN HEADER 4



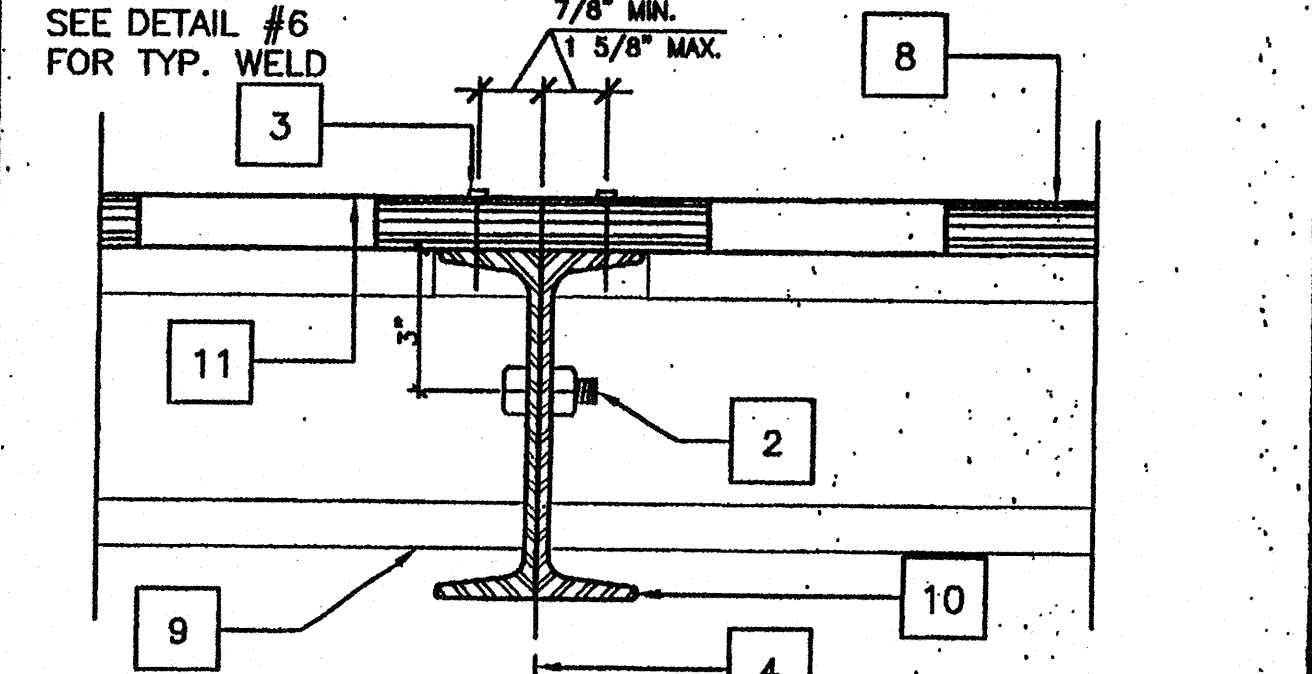
ROOF PAN (22GA.) 5



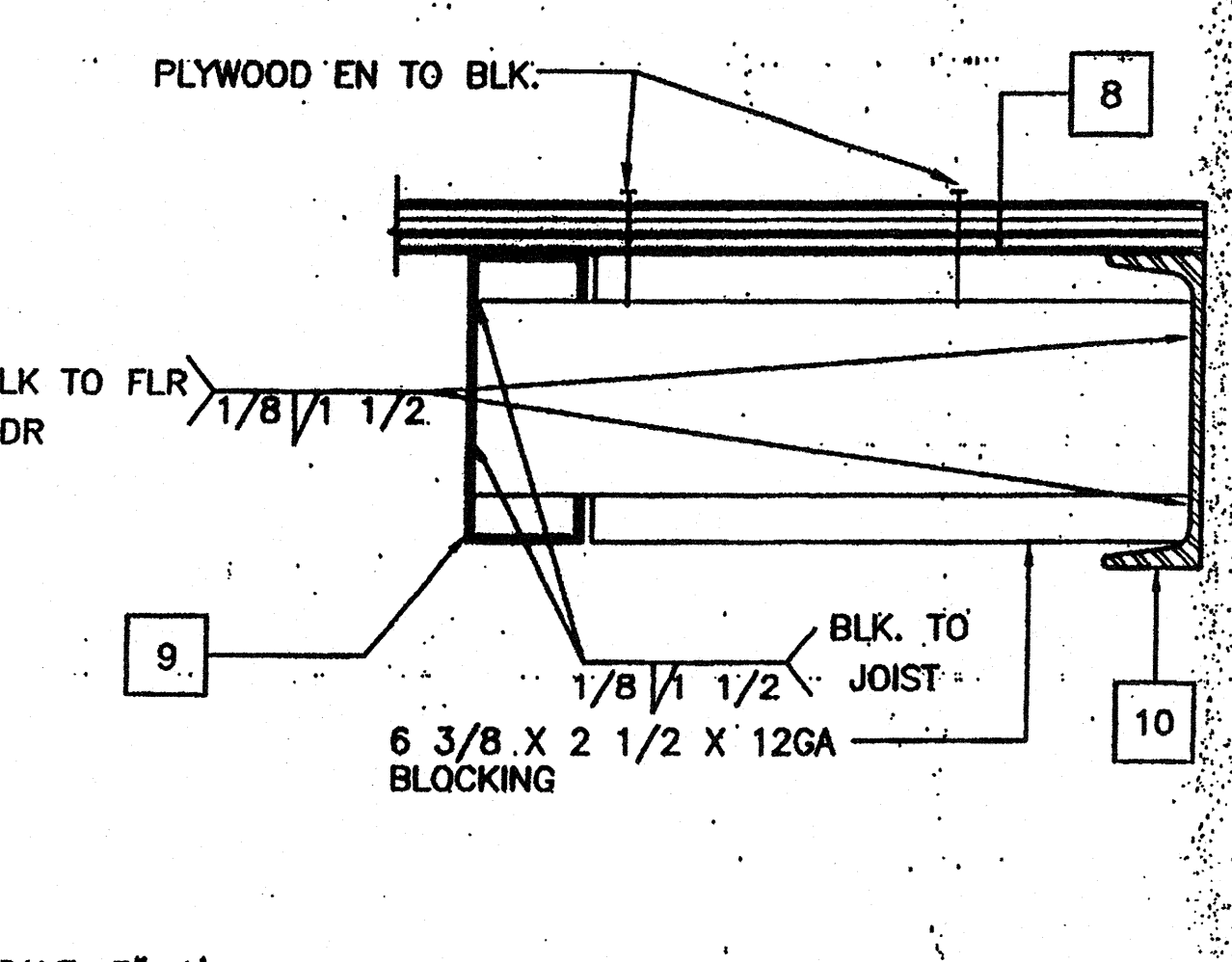
ROOFING • MODLINE 1



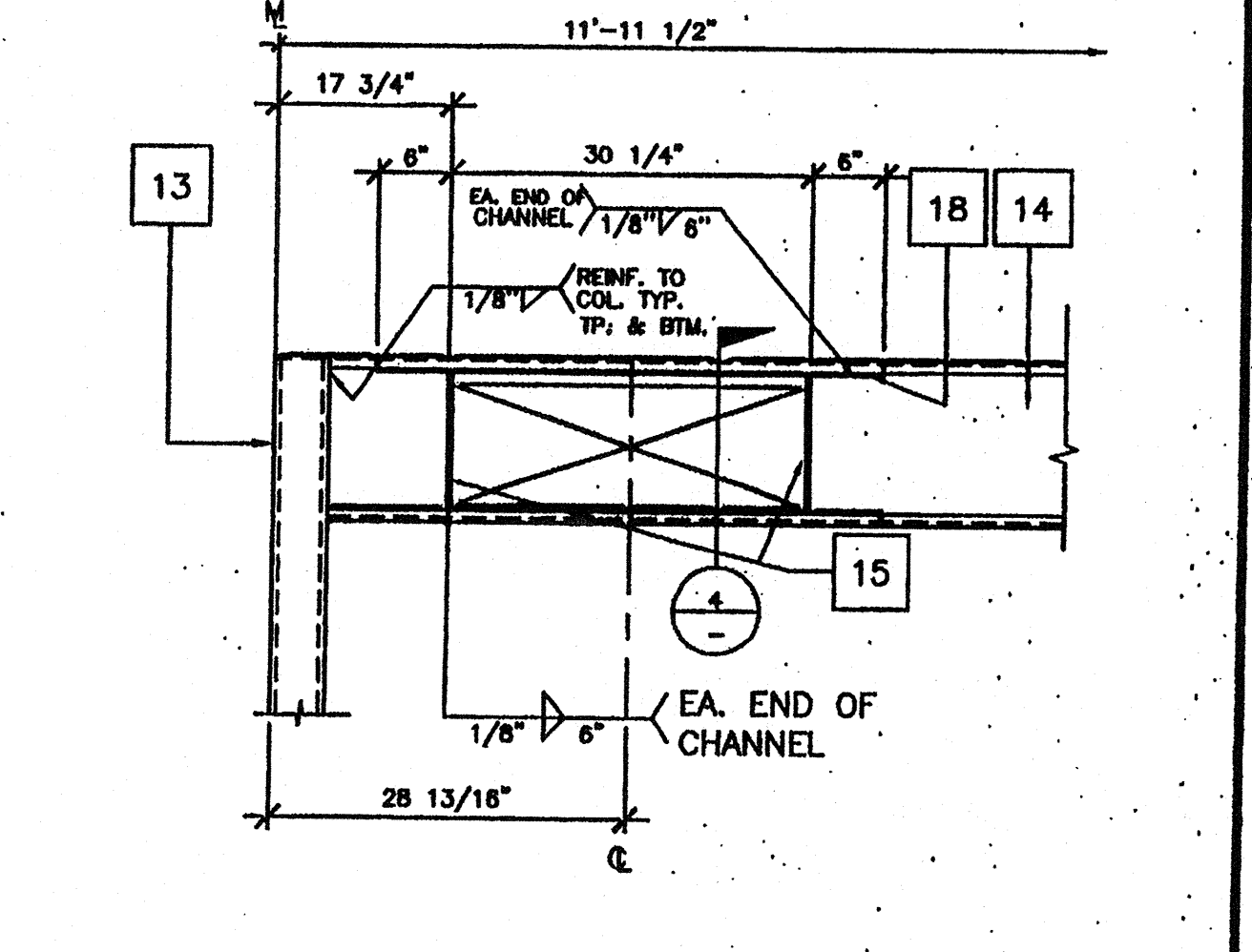
FLOOR FRAME/JOIST TO BEAM 6



MODULE JOINT AT FLR. 12'-0" 2



BLOCK AT MIDSPAN 10



ELEVATION-OPENING 7

- KEY NOTES**
- 1 CAP CLOSURE AT RIDGE 26GA. GALV. W/#10 TYPE FASTENERS W/NEOPRENE WASHERS TO RIB BOTH SIDES OF MODLINE. SET CAP IN SEALANT. BOTH SIDES.
 - 2 5/8" M.B. A307 MODULE JOINT (SEE STRUCTURAL PLAN FOR LOCATION) AT 8" O.C.
 - 3 E.N.
 - 4 MODULE JOINT
 - 5 1/4" THK X 3" FULL DEPTH STIFFENER PLATE AT RIDGE ONLY (SEE 9/S2.2)
 - 6 STANDING ROOF SEAM (SEE A2.0)
 - 7 ROOF BEAM SEE 1/S2.2 & 7/S2.2
 - 8 PLYWOOD FLOOR SHEATHING
 - 9 FLOOR JOIST SEE 6/S2.2
 - 10 FLOOR BEAM SEE 5/S2.2
 - 11 HAND HOLE AT BOLT LOCATION
 - 12 #14 STSMS.
 - 13 3 1/2"x3 1/2"x1/4" STEEL TUBE COLUMN. SEE 12/S2.2
 - 14 ROOF HEADER SEE 3/S2.2
 - 15 1/4" STIFFENER PLATE SEE 9/S2.2 FOR TYP. WELD
 - 16 SEALANT
 - 17 ROOF PURLIN SEE 2/S2.2
 - 18 3 1/4" X 1" X 45 11/16" LG X 10GA CHANNEL TOP AND BOTTOM OF OPENING

IDENTIFICATION STAMP
DIV. OF THE STATE ARCHITECT
OFFICE OF REGULATION SERVICES
04 105455
AC FLS SS JB
DATE JUL 17 2002

~~IDENTIFICATION STAMP
DIV. OF THE STATE ARCHITECT
OFFICE OF REGULATION SERVICES
04 111111
AC FLS SS JB
DATE JUL 10 2002~~

IDENTIFICATION STAMP
DIV. OF THE STATE ARCHITECT
APPO3 115891
AC FLS SS JB
DATE 7/24/04

REVISIONS

Electrical Engineer's Seal
Mechanical Engineer's Seal
PC Professional of Record Seal
Architect's Seal

PC
CBC 2001
IDENTIFICATION STAMP
DIV. OF THE STATE ARCHITECT
OFFICE OF REGULATION SERVICES
PC-04
AC FLS SS
DATE

MODTECH™
2830 BARRETT AVENUE FAX (909) 943-4014
PERRIS, CALIF. 92572 FAX (909) 940-0427

PROJECT NUMBER: 4736
WILLIAM SCOTTSMAN

STRUCTURAL DETAILS

© MODTECH, INC. 2002
ALL RIGHTS RESERVED

DRAWN BY: GL
DATE: 07/07/03
CHECKED BY: DATE:
MODTECH Index No.
S1.2

PROJECT NO. 4736