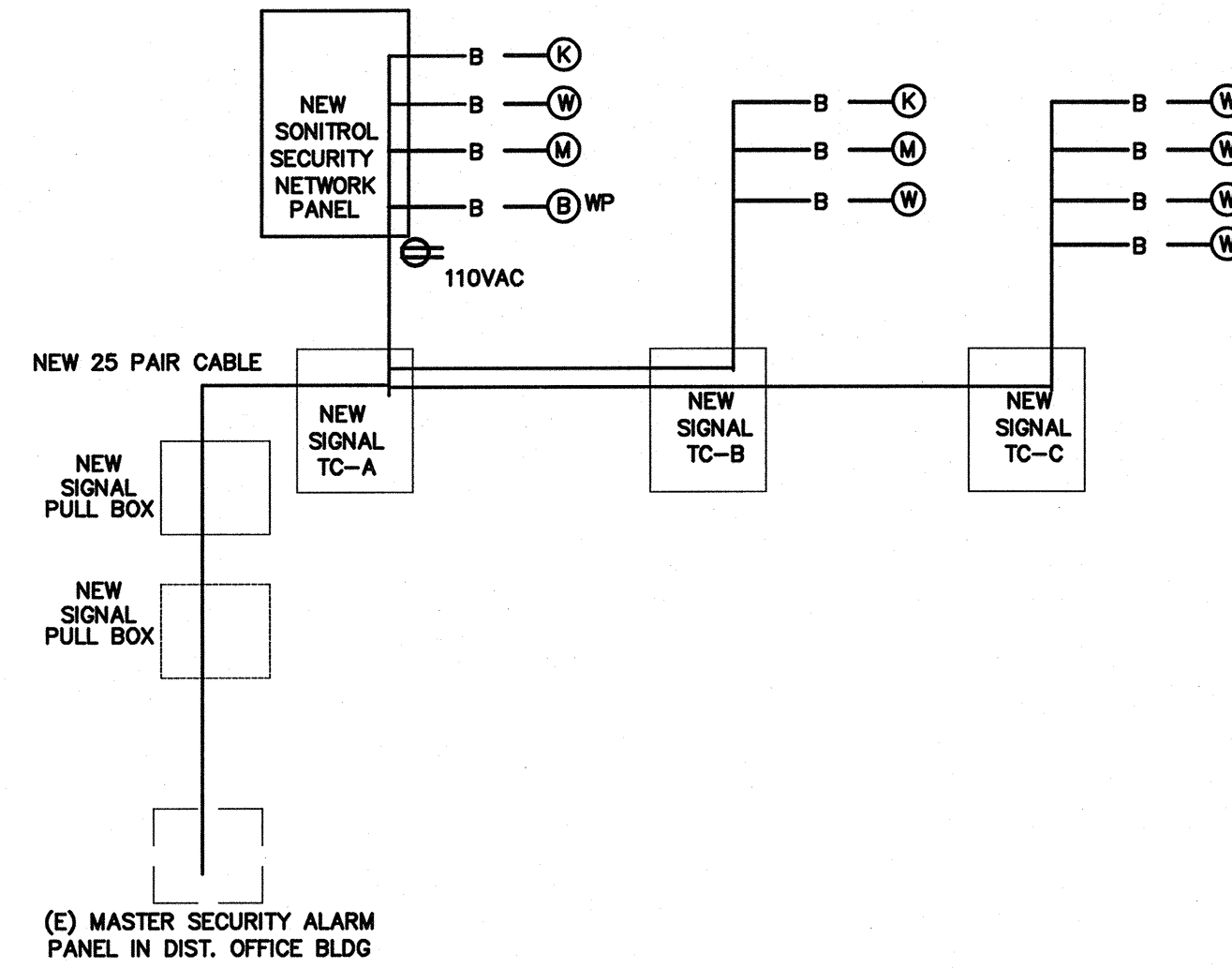


**FIBER OPTIC CABLE**  
 THREE MULTIMODE PAIRS (SIX STRANDS) AND THREE SINGLE-MODE PAIRS (SIX STRANDS)  
 OPTICAL CABLE COMPANY # DX 12/0850-6W3SB/1UC-6SYMC-YMD/900-OFNR OF EQUAL  
**CAT5E CABLE**  
 5ENP4P24-BL-BER-PV OR EQUAL  
**CABLE TESTING**  
 ALL FIBER OPTIC CABLE MUST BE TESTED TO SUPPORT 1000BASE-FX FULL DUPLEX STANDARDS.  
 ALL CAT 5E CABLE MUST BE TESTED TO SUPPORT 100BASE-TX.  
 TEST RESULTS ARE TO BE PROVIDED TO SCHOOL TECHNOLOGICAL SERVICES FOR REVIEW AND APPROVAL.

- IDE SWITCH EQUIPMENT**  
 F/O CISCO WS-C2850G-24 W/ WS-C5484 GBIC  
 TP CISCO WS-C2850-24  
 CABINETS SOUTH WESTERN DATA PRODUCT SWE 4000-18UDBLK OR EQUAL  
 JACKS ALLEN TEL AT55-16 OR EQUAL  
 FACEPLATE ALLEN TEL AT30-2-09 OR EQUAL  
 PATCH PANEL ALLEN TEL ATPLN-24 OR EQUAL
- LABELING IDENTIFICATION**  
 ALL INSTALLED EQUIPMENT, CABLES, TERMINATIONS, ETC. WILL BE PERMANENTLY AND UNIQUELY MARKED. CABLES WILL BE MARKED USING A CONVENTION THAT WILL IDENTIFY ITS ORIGIN AND DESTINATION. LAN TERMINATIONS WILL SIMILARLY BE MARKED TO UNIQUELY IDENTIFY THEM WHILE PROVIDING THE SOURCE AND DESTINATION OF CABLE. IDENTIFICATIONS MUST BE SUCH THAT THEY WILL NOT RUB OFF, FALL OFF, OR EASILY BREAK AWAY.
- DATA COMMUNICATION SYSTEM NOTES**  
 1. CONTRACTOR TO PROVIDE ALL EQUIPMENT, PATCH CABLE AND ACCESSORY FOR A FULLY FUNCTIONAL SYSTEM.  
 2. NEW DATA JACK WIRING CONFIGURATION MUST BE MATCHED EXISTING SYSTEM. FIELD VERIFY PRIOR TO INSTALLATION.  
 3. ADMINISTRATIVE NODE TO BE RED IN COLOR WITH THE INSTRUCTIONAL NODE TO BE BLUE IN COLOR. NODE LOCATION MUST BE 12" WITHIN POWER RECEPTACLE AND FIELD VERIFY EXACT LOCATION WITH OWNER PROJECT COORDINATOR OR TECHNOLOGICAL SERVICES PERSONNEL PRIOR TO INSTALLATION.  
 4. ALL EQUIPMENT DOCUMENTATION AND WARRANTY INFORMATION WILL BE PROVIDED TO OWNER TECHNOLOGICAL SERVICES. WARRANTY CARDS WILL BE PROVIDED TO VUSD TECHNOLOGICAL SERVICES FOR FILING WITH MANUFACTURERS UPON COMPLETION OF INSTALLATION.

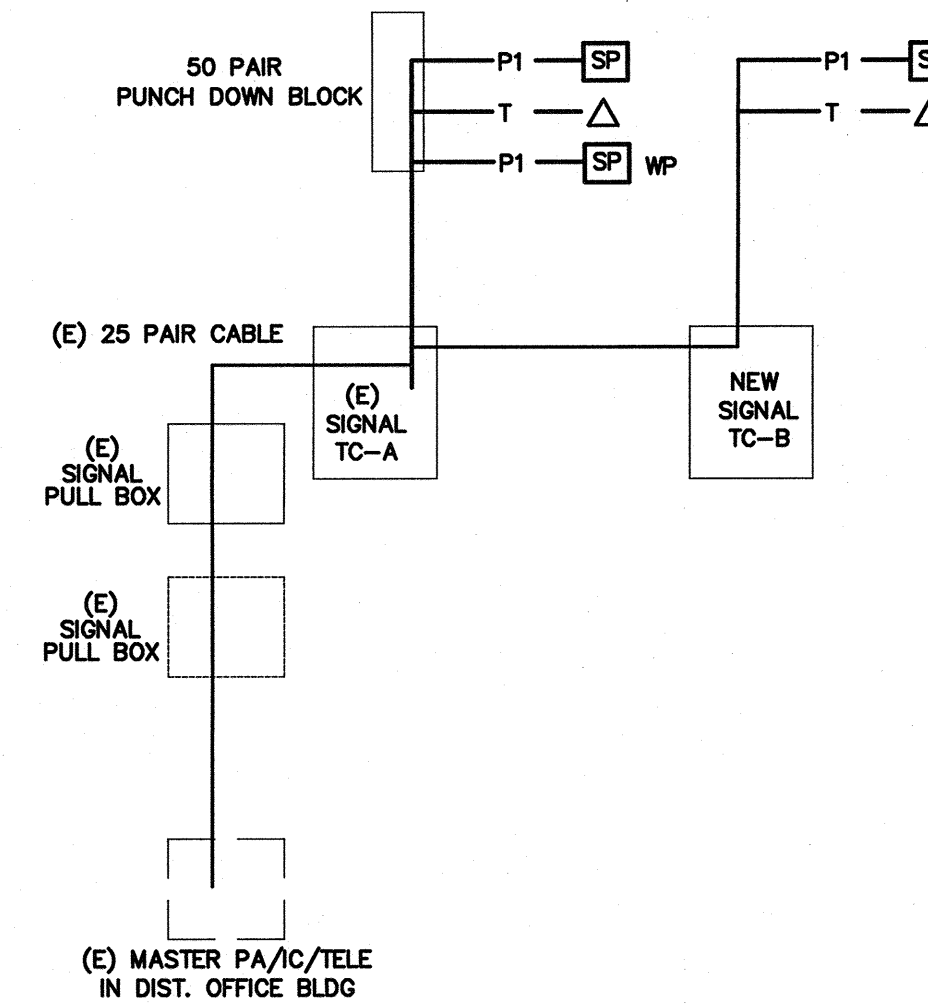
7 DATA COMMUNICATION SYSTEM RISER DIAGRAM

N.T.S.



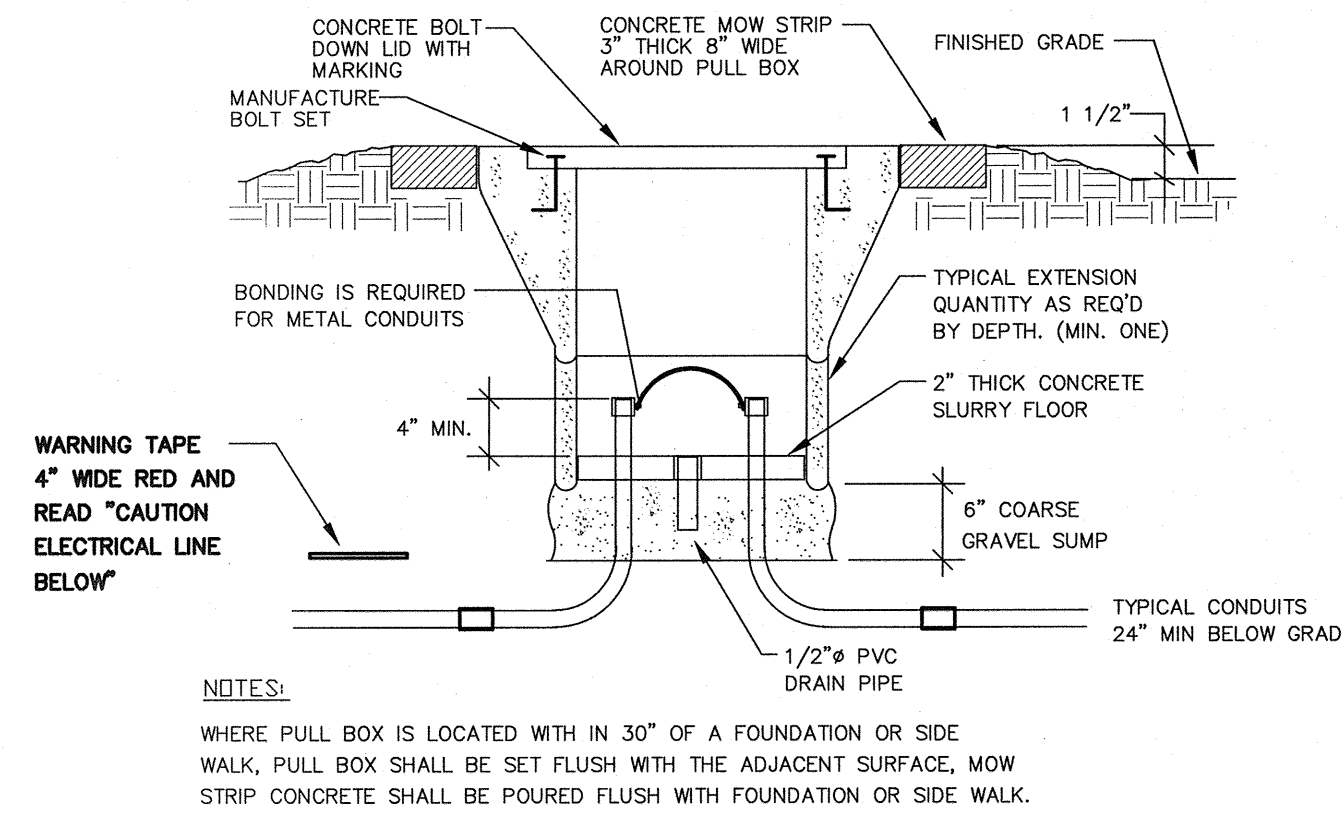
5 SECURITY ALARM SYSTEM RISER DIAGRAM

N.T.S.



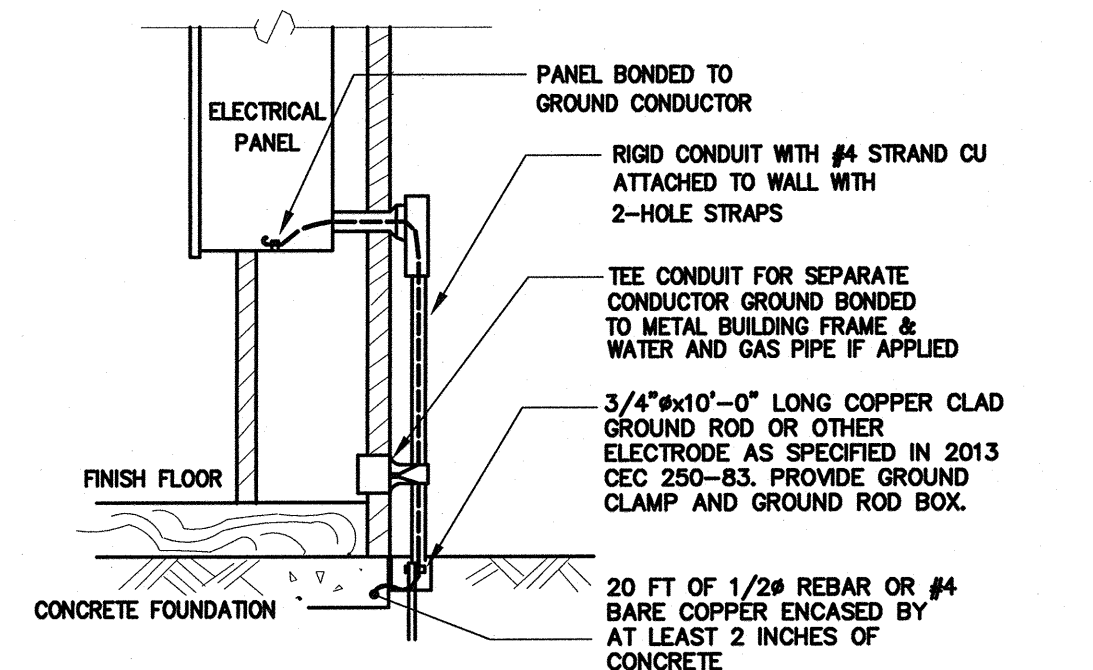
2 PA/IC/TELE SYSTEM RISER DIAGRAM

N.T.S.



4 PULL BOX AT OPEN YARD DETAIL

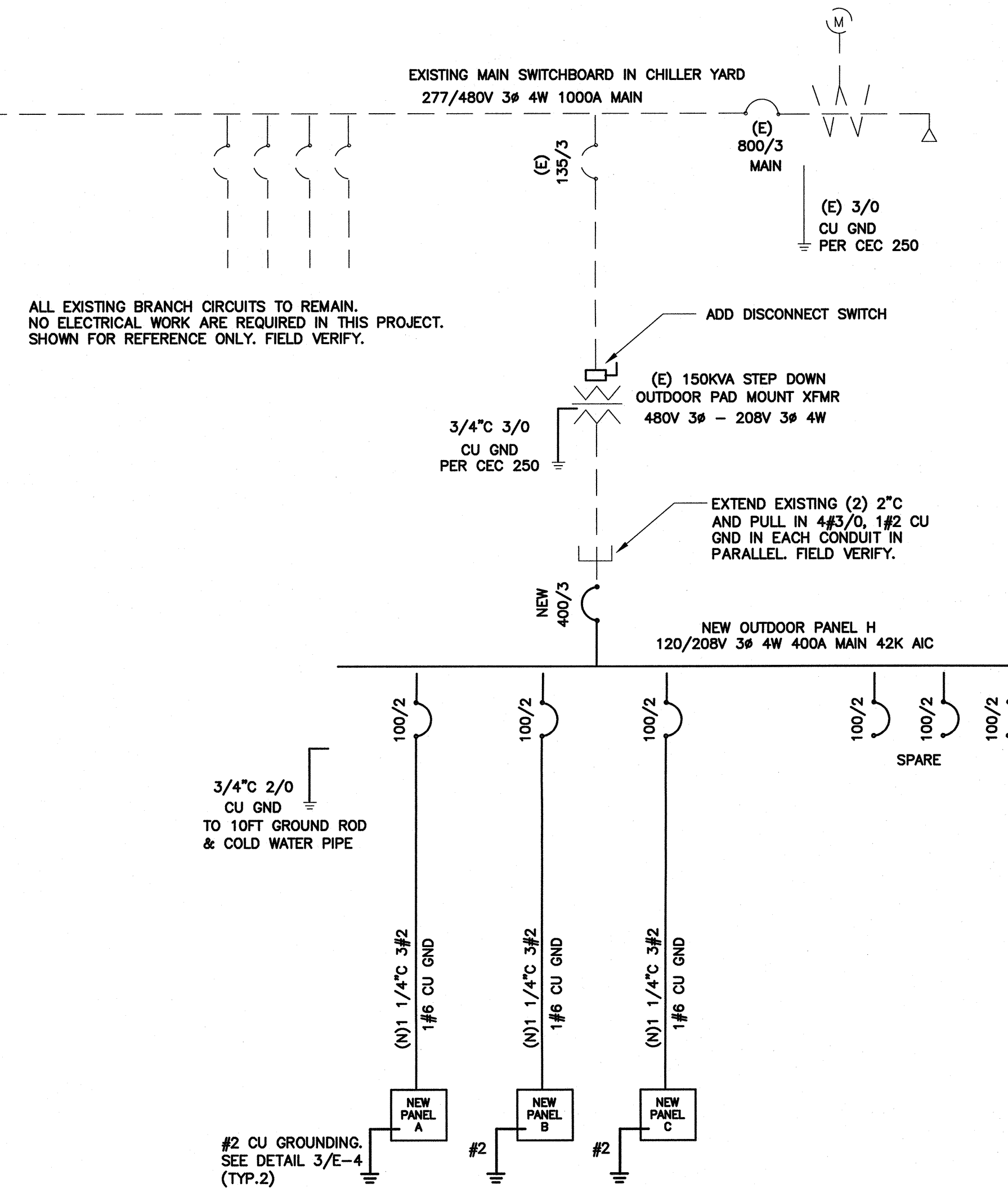
N.T.S.



- NOTES:**  
 1. SIZE OF CONDUCTORS SHALL COMPLY WITH 2013 CEC TABLE 250-86.  
 2. BOND SEPARATE CONDUCTORS FROM GROUND ROD TO ELECTRICAL PANEL AND TO METAL BUILDING FRAME PER 2013 CEC 250-50. IN ADDITION TO THE DETAIL SHOWN ABOVE BOND THE ELECTRICAL GROUND TO METAL WATER PIPE EMBEDDED AT LEAST 10 FT. IN SOIL IF AVAILABLE (CEC 250-50, 250-82).  
 3. ALL MADE OF METAL FRAME BUILDINGS SHALL BE ELECTRICALLY BONDED TOGETHER, BOND TO HAND RAIL AND WATER PIPE IF APPLIED. (BOLTING ONLY IS NOT ACCEPTABLE BONDING).  
 4. CHECK RESISTANCE TO GROUND. IF RESISTANCE EXCEED 25 OHMS, INSTALL ADDITIONAL GROUND RODS WITH CONDUCTORS AS SHOWN SEPARATED AT LEAST 6'-0" UNTIL RESISTANCE IS REDUCED TO 25 OHMS OR LESS (2013 CEC 250-84).  
 5. FIELD INSPECTOR SHALL WITNESS GROUNDING TEST.

3 GROUNDING DETAIL

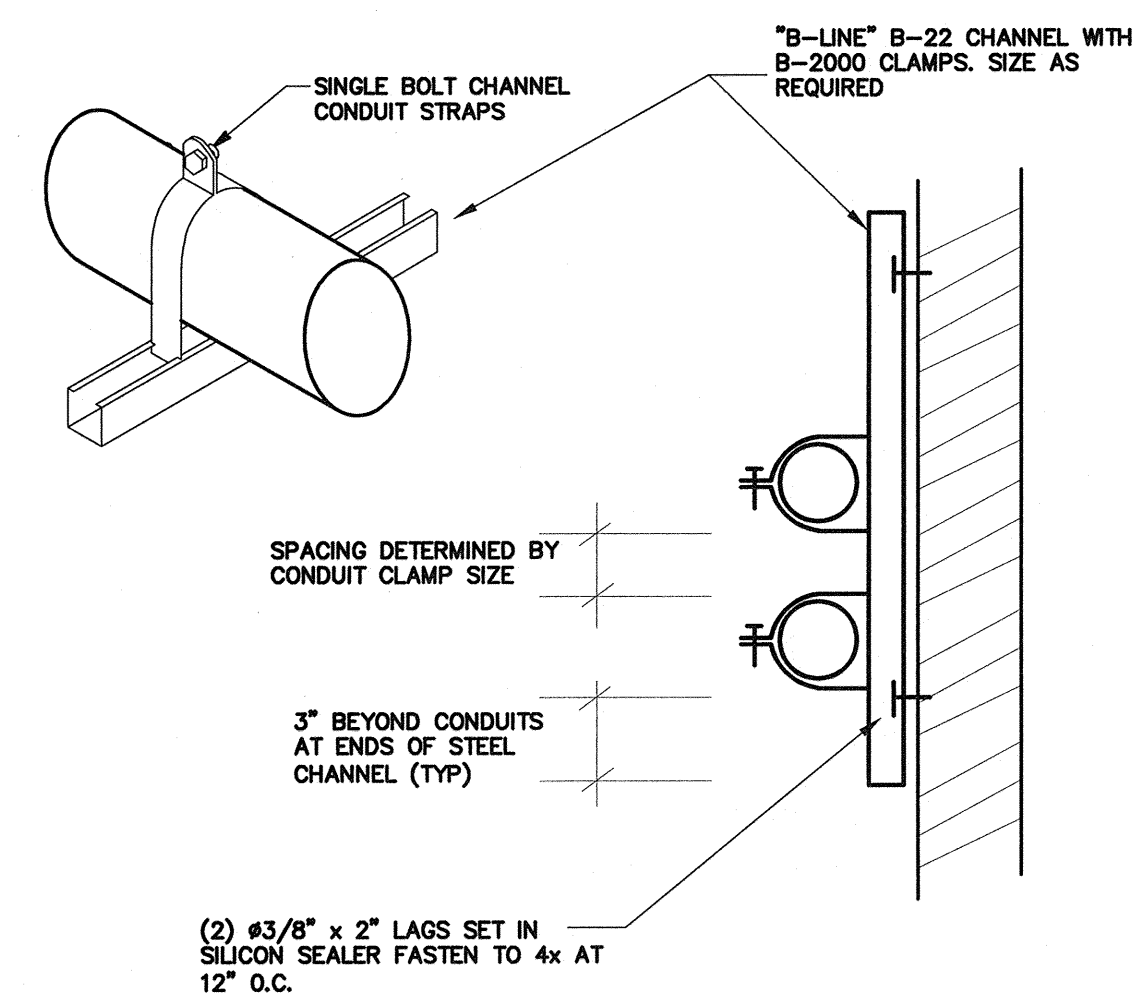
N.T.S.



- NOTES:**  
 1. PROVIDE NEW MATCHING BREAKERS, FEEDERS AND PANELS PER PLANS.  
 2. ALL NEW CONDUCTOR SHALL BE 75°C THWN-2 COPPER IN CONDUIT. (AMPACITY FOR CONDUCTOR SELECTION MUST BE DETERMINED/DERATED BY THE ALLOWED TERMINATION RATINGS MARKED/APPROVED ON EACH DEVICES, MOTOR, APPLIANCE, XFMR O.C.P.C. PANEL, ETC. CONDUCTORS INSTALLED IN U.G OR WET LOCATIONS SHALL BE MARKER 'W'. PER 2013 CEC 110-14(C)(1).  
 3. ALL WIRING OVER 100 VOLT SHALL BE INSTALLED IN RACEWAY CONDUIT, EMT ABOVE GRADE, PVC SCH. 40 BELOW GRADE AND STEEL CONDUIT ON EXPOSE SURFACE BELOW 8' AFF. FOR PHYSICAL PROTECTION.  
 4. MC CABLE WITH SEPARATE GROUND CONDUCTOR CAN BE USED IN CEILING AND CONCEAL IN WALL.  
 5. STEEL BACK BOX SHALL BE PROVIDE FOR ALL NEW ELECTRICAL DEVICES SUCH AS SWITCH, OUTLET AND CONDUCTOR SPLICE.  
 6. ELECTRICAL CONTRACTOR IS RESPONSIBLE TO VERIFY THE EXISTING SWITCHBOARD AND PANELS ARE INSTALL PER ONE LINE DIAGRAM PRIOR TO WORKING, AND REPORT TO ENGINEERS IF ANY DISCREPANCY ARE FOUND.

1 SINGLE LINE DIAGRAM

N.T.S.



6 CONDUIT SUPPORT DETAIL

N.T.S.

Ownership of Documents  
 This document, the ideas and designs incorporated herein, as an instrument of Professional Service is the property of Integrated Designs by SOMAM, Inc. and is not to be used, in whole or in part for any other project without written authorization. © COPYRIGHT 2013

**integrated designs** by SOMAM, Inc.  
 ARCHITECTURE - ENGINEERING - INTERIOR DESIGN - CONSTRUCTION MANAGEMENT  
 6011 N. Fremont, Suite 130 - Fresno, California 93710  
 Phone (559) 439-0881 Fax (559) 439-0887 E-Mail: design@somam.com  
 www.integrateddesigns.com

Project Name & Address:  
**WAYSIDE ELEMENTARY SCHOOL**  
**2 RELOCATABLE CLASSROOMS**  
 BAKERSFIELD CITY SCHOOL DISTRICT  
 1000 MING AVE., BAKERSFIELD, CA

Issue Date: 00/00/14  
 Date: 05/27/14  
 Designer: J. CHONG  
 DR: J. CHONG  
 PC: CJM

Agency Approval Stamp:

IDENTIFICATION STAMP  
 DIV. OF THE STATE ARCHITECT  
 APPROX 115891  
 AC: [Signature]  
 DATE: 7/24/14

Stamp(s):

Job No.: **5126**  
 Sheet No.: **E-4**  
 Release:

CONSULTING ENGINEERS  
**JOHN CHONG ENGINEERING**  
 2017 E. DELATOUR AVE, FRESNO CA 93710  
 (559) 215-9988 • FAX 207-3401  
 jcengineering@aol.com

REGISTERED PROFESSIONAL ENGINEER  
 JOHN S. CHONG  
 E 14419  
 Exp. 6/30/2016  
 ELECTRICAL  
 STATE OF CALIFORNIA

7/8/2014 8:11:40 AM