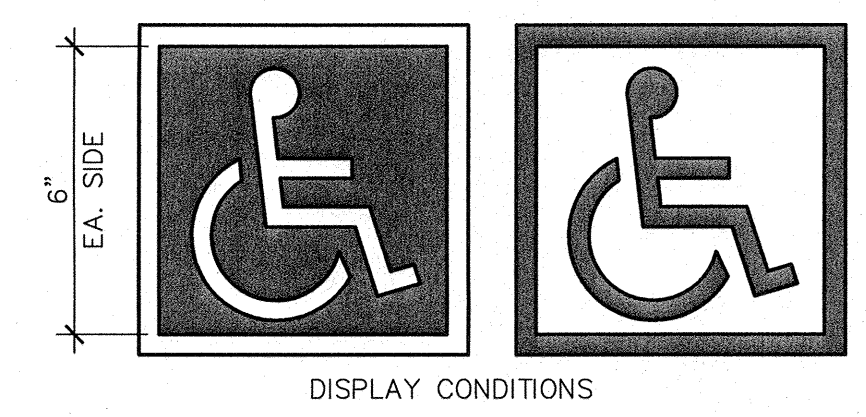
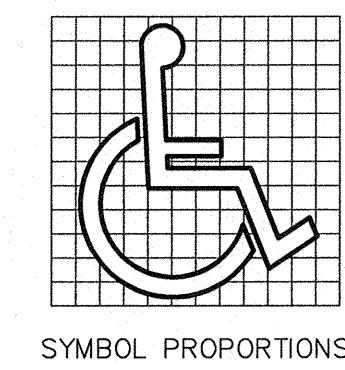
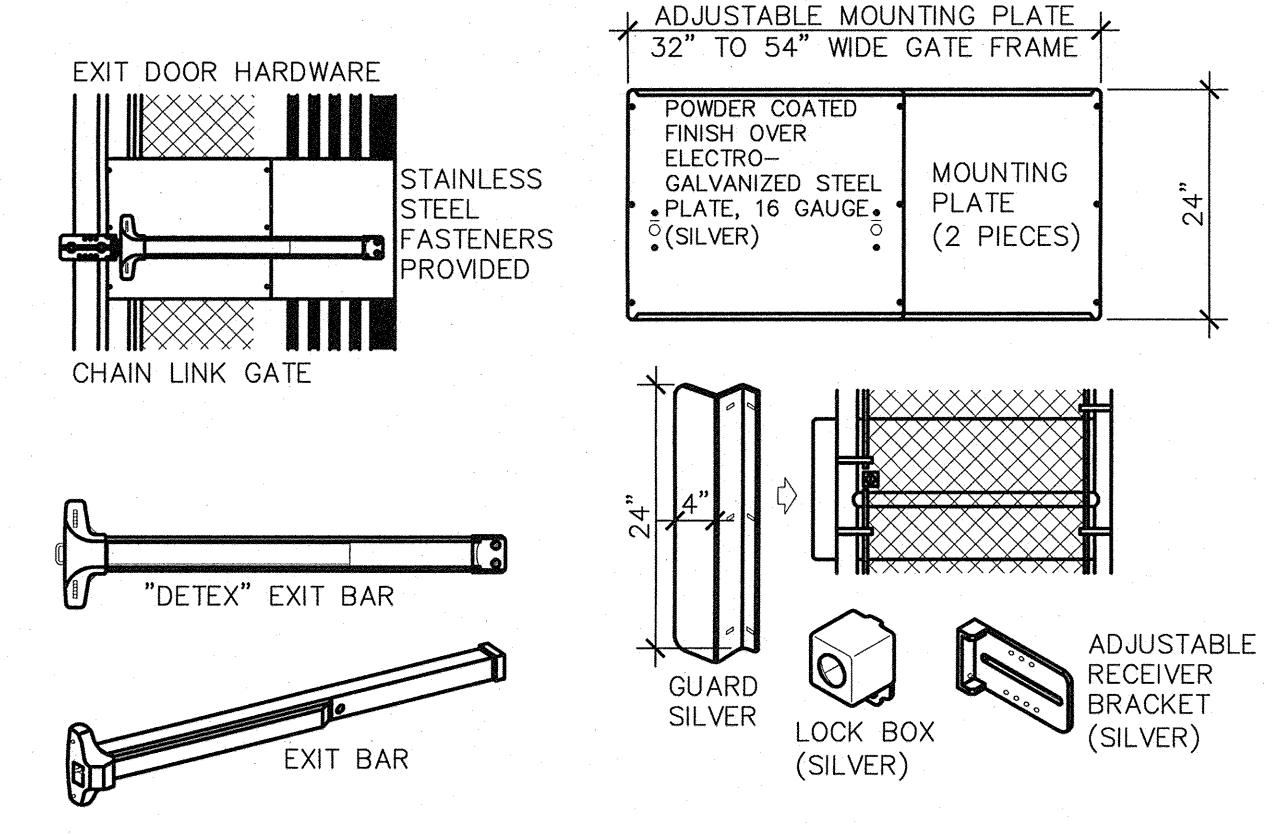


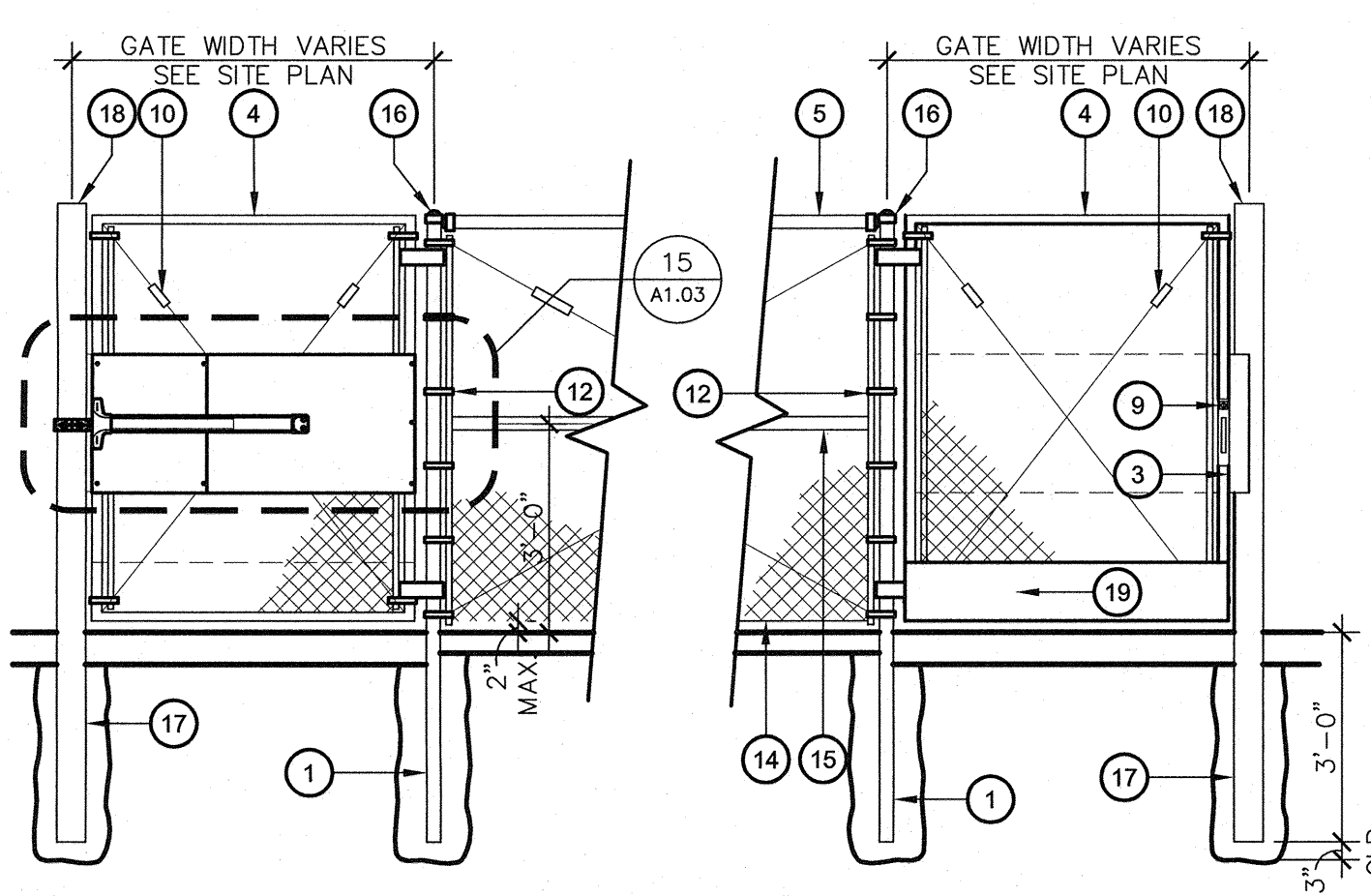
13 TYPICAL ACCESSIBLE PARKING STALL SYMBOL
 ADA100-03 SCALE: 1" = 1'-0"



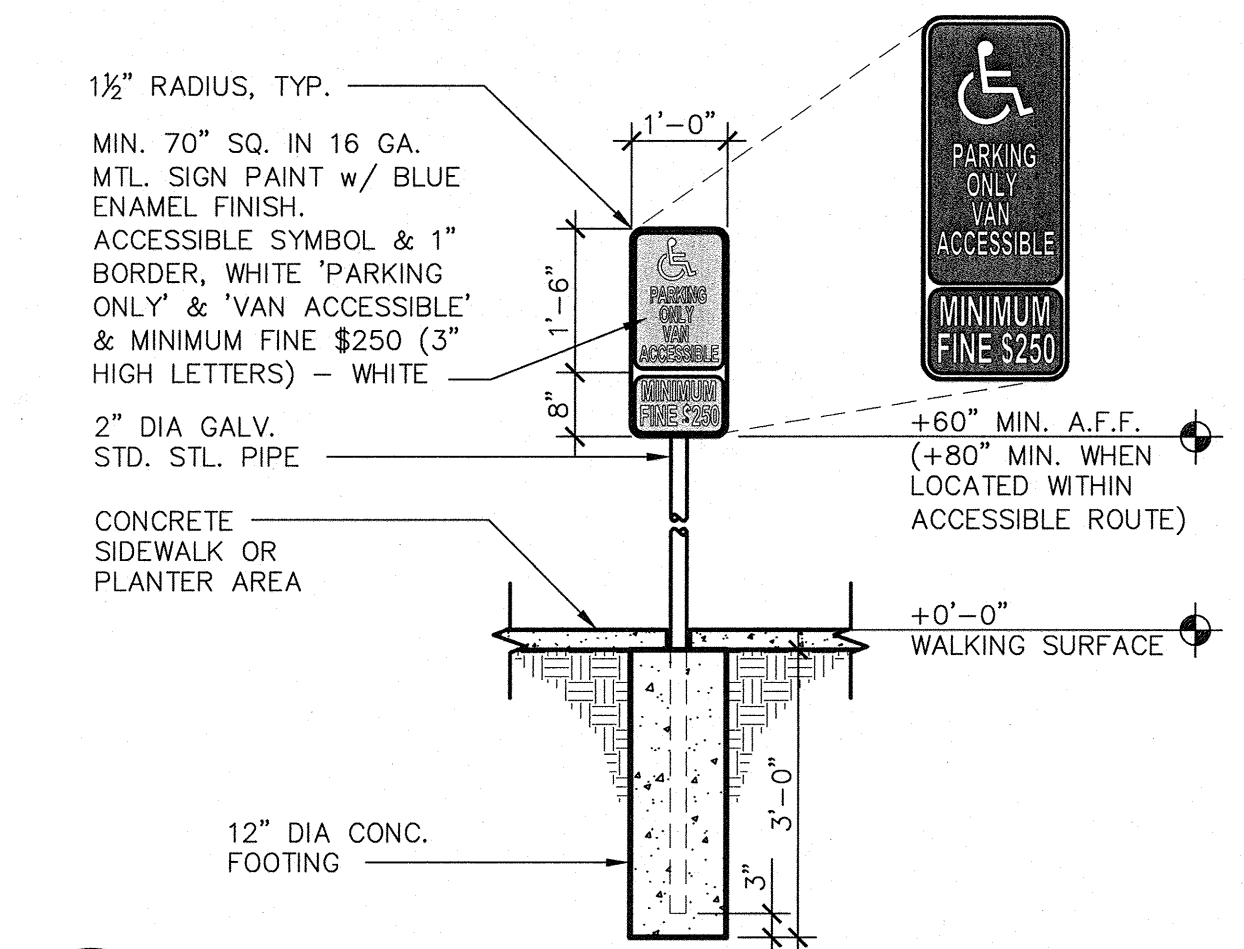
14 INTERNATIONAL ACCESSIBILITY SYMBOL
 ADA000-02 SCALE: 3" = 1'-0"



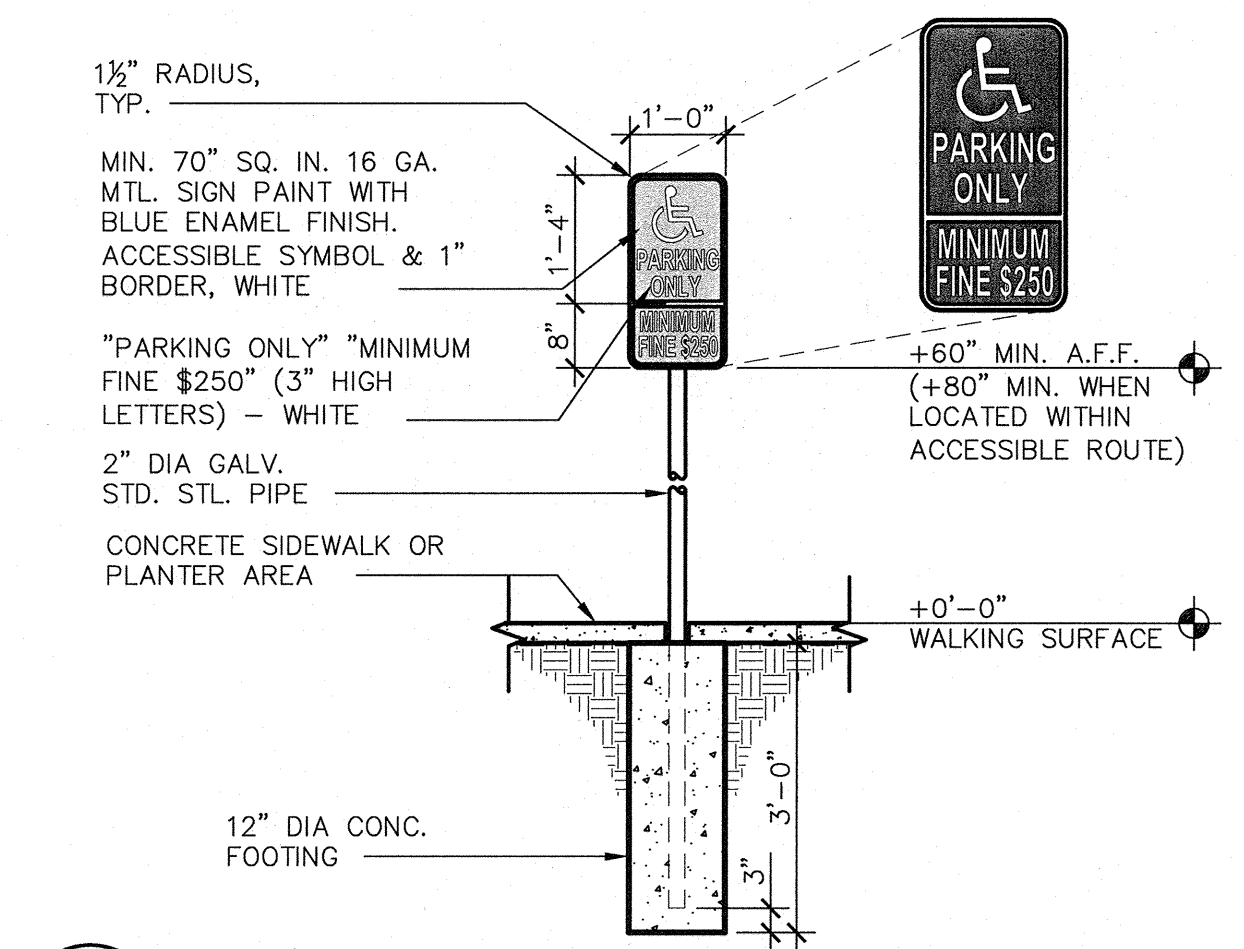
15 PANIC DOOR HARDWARE
 ADY100-02 SCALE: 1 1/2" = 1'-0"



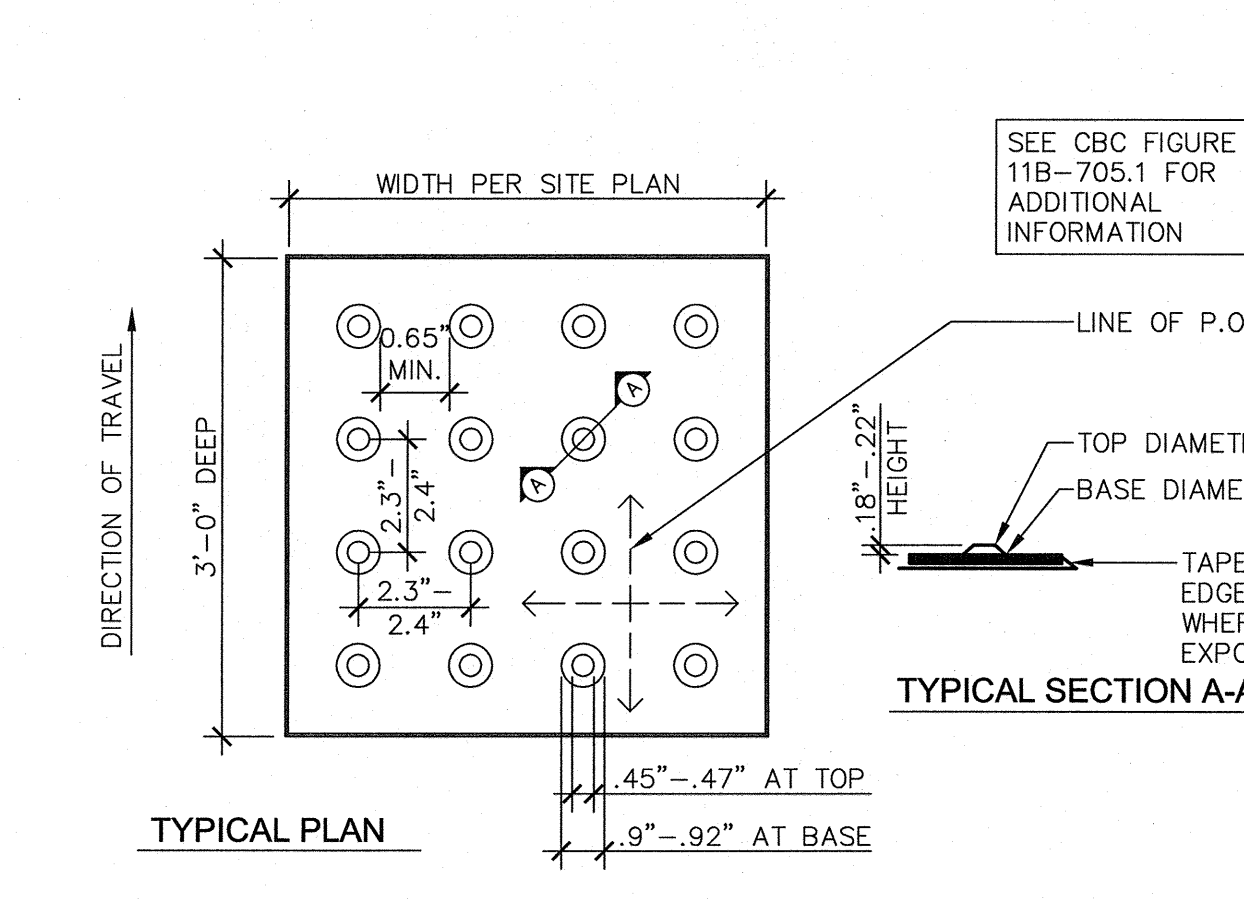
16 ACCESSIBLE ENTRY GATE AND TYPICAL 6" FENCE
 ADY100-06 SCALE: N.T.S.



9 VAN ACCESSIBLE PARKING SIGNAGE
 ADA100-30 SCALE: 1/2" = 1'-0"

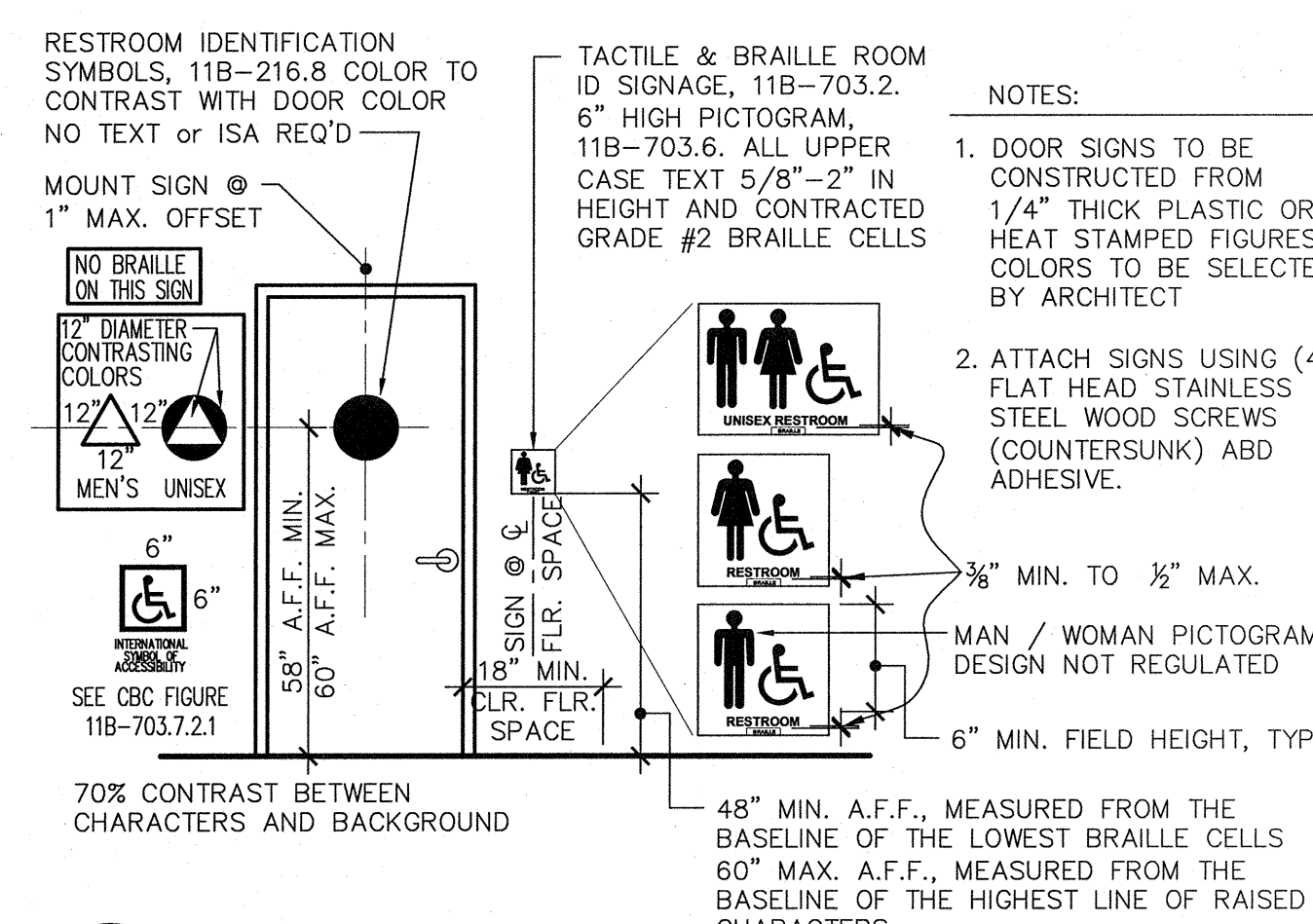


10 ACCESSIBLE PARKING SIGNAGE
 ADA100-31 SCALE: 1/2" = 1'-0"

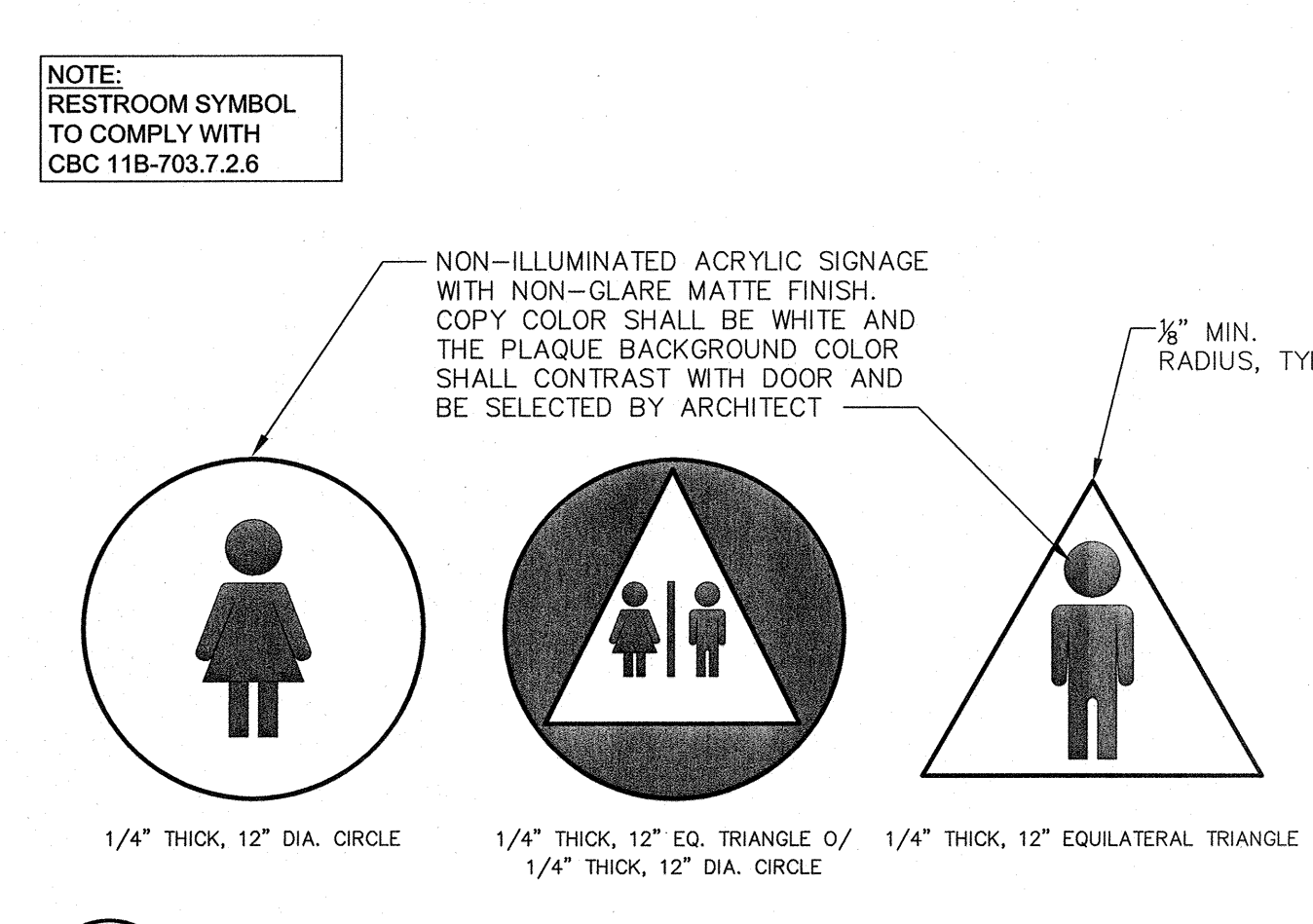


11 TRUNCATED DOMES
 ADA100-23 SCALE: NO SCALE

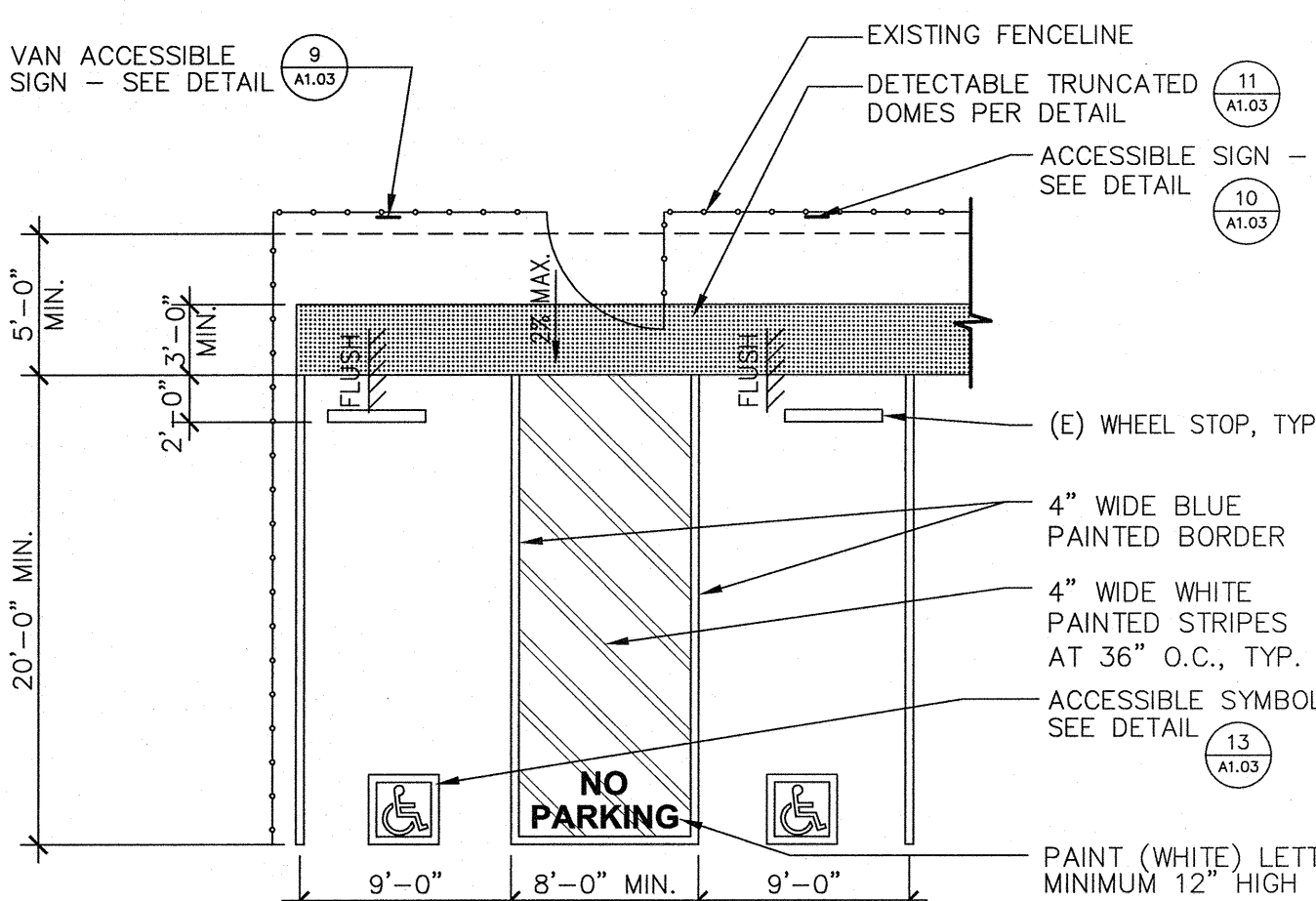
- FENCE ITEMS TO BE FURNISHED & INSTALLED**
- 4" O.D. GALVANIZED STEEL GATE POST (9.1 lb/ft)
 - 180" HINGE (TYP. FOR 4)
 - 16ga GATE GUARD, SEE 15/A1.03
 - 2" O.D. GALVANIZED STEEL GATE FRAME (2.72 lb/ft) (2"x2" TUBE AT SINGLE ENTRY MAN-GATES)
 - 1 5/8" O.D. GALVANIZED STEEL HORIZONTAL RAIL (2.27 lb/ft)
 - 2"x2" MESH x 9 GAUGE GALVANIZED FENCE FABRIC WITH KNUCKLED TOP AND BOTTOM SELVAGE. FENCE FABRIC TO BE GALVANIZED BEFORE WEAVING (GBW)
 - 1/4"x3/4" GALVANIZED STEEL STRETCHER BAR
 - 9 GAUGE (0.148" DIA.) GALVANIZED STEEL TIE WIRES OR HOG RINGS AT 15" MAX. SPACING. MIN. 8 TIE WIRES PER EACH 10' HORIZONTAL RAIL
 - TRIM, TUBULAR HANDLE & RIM CYLINDER LOCK PER DISTRICT STANDARD
 - GALVANIZED ADJUSTABLE TURNBUCKLE FOR 3/8" DIA. TRUSS ROD
 - 3/8" DIA. GALVANIZED STEEL ADJUSTABLE TRUSS ROD. TRUSS RODS REQUIRED FOR ALL GATE POST PANELS AND END OR CORNER POST PANELS
 - GALVANIZED STEEL STRETCHER BAR TENSION BAND AT 12" MAX. SPACING. MIN. OF 12 TENSION BANDS FOR 12'-0" POST; MIN. OF 6 TENSION BANDS FOR 6'-0" POSTS
 - 3/8"x6" GALVANIZED HOOK BOLT WITH NUT IMBEDDED IN MOWSTRIP MIDWAY BETWEEN POSTS
 - 7 GAUGE (0.177" DIA.) GALVANIZED STEEL TENSION WIRE
 - 1 5/8" O.D. GALVANIZED STEEL HORIZONTAL RAIL TO BE ADDED TO 6'-0" HIGH CHAIN LINK FENCE AROUND KINDERGARTEN PLAY AREA ONLY AND AT END OF BASKETBALL COURTS
 - RAINPROOF CAP
 - 4"x4"x3/16" H.S.S.
 - 3/16" CAP R/W/ 3/16" FILLET WELD, GRIND SMOOTH
 - POWDER COATED FINISH OVER ELECTRO-GALVANIZED 10"x6 GATE WIDTH, 16ga MTL. PLATE (SILVER), BOTH SIDES OF EACH GATE.
 - 5-1/2" THICK CONCRETE MOWSTRIP AT GATE OPENING
 - CLASS B CONCRETE POST FOOTING (TYP.)



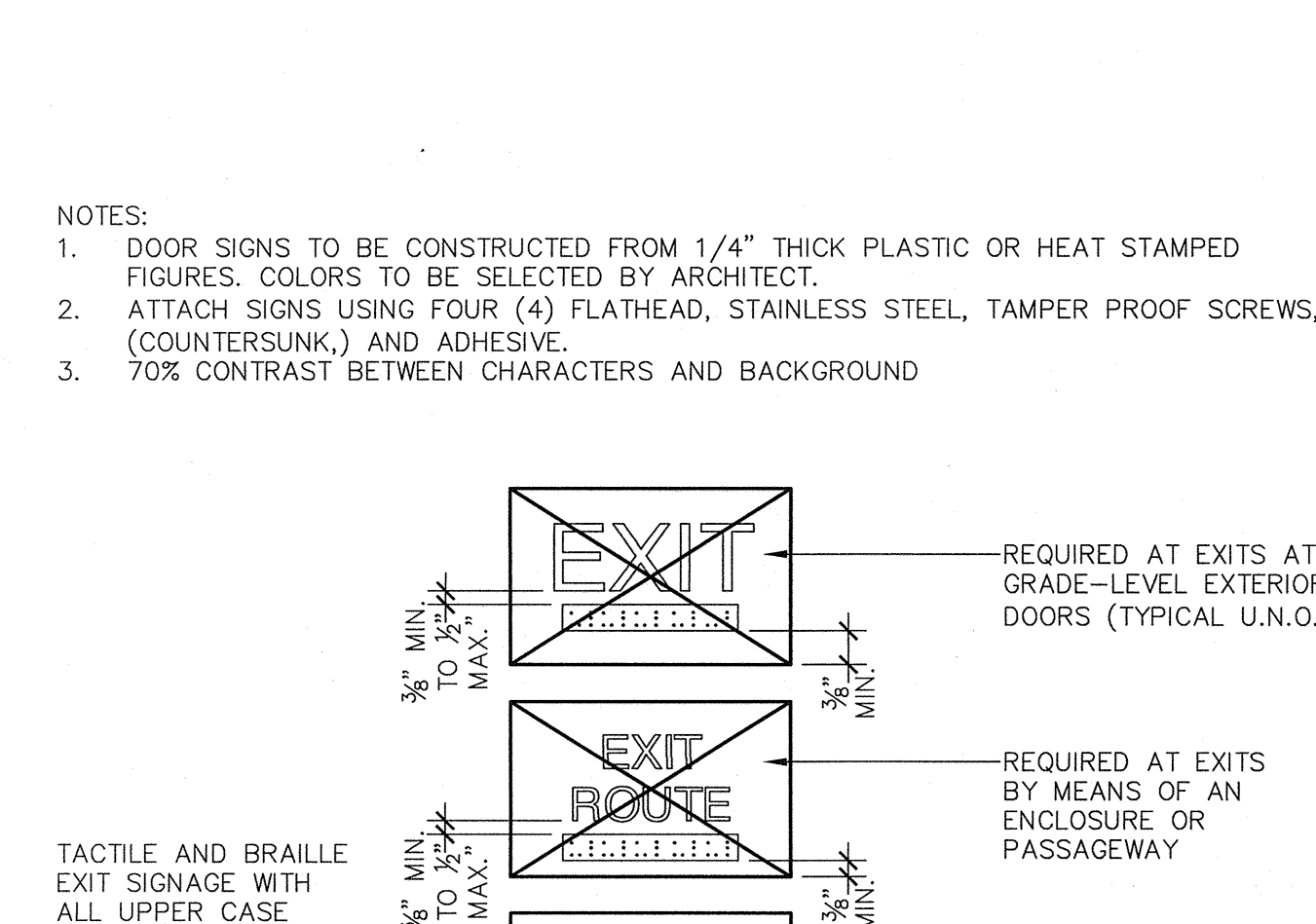
5 RESTROOM SIGNAGE
 ADA000-01 SCALE: 1" = 1'-0"



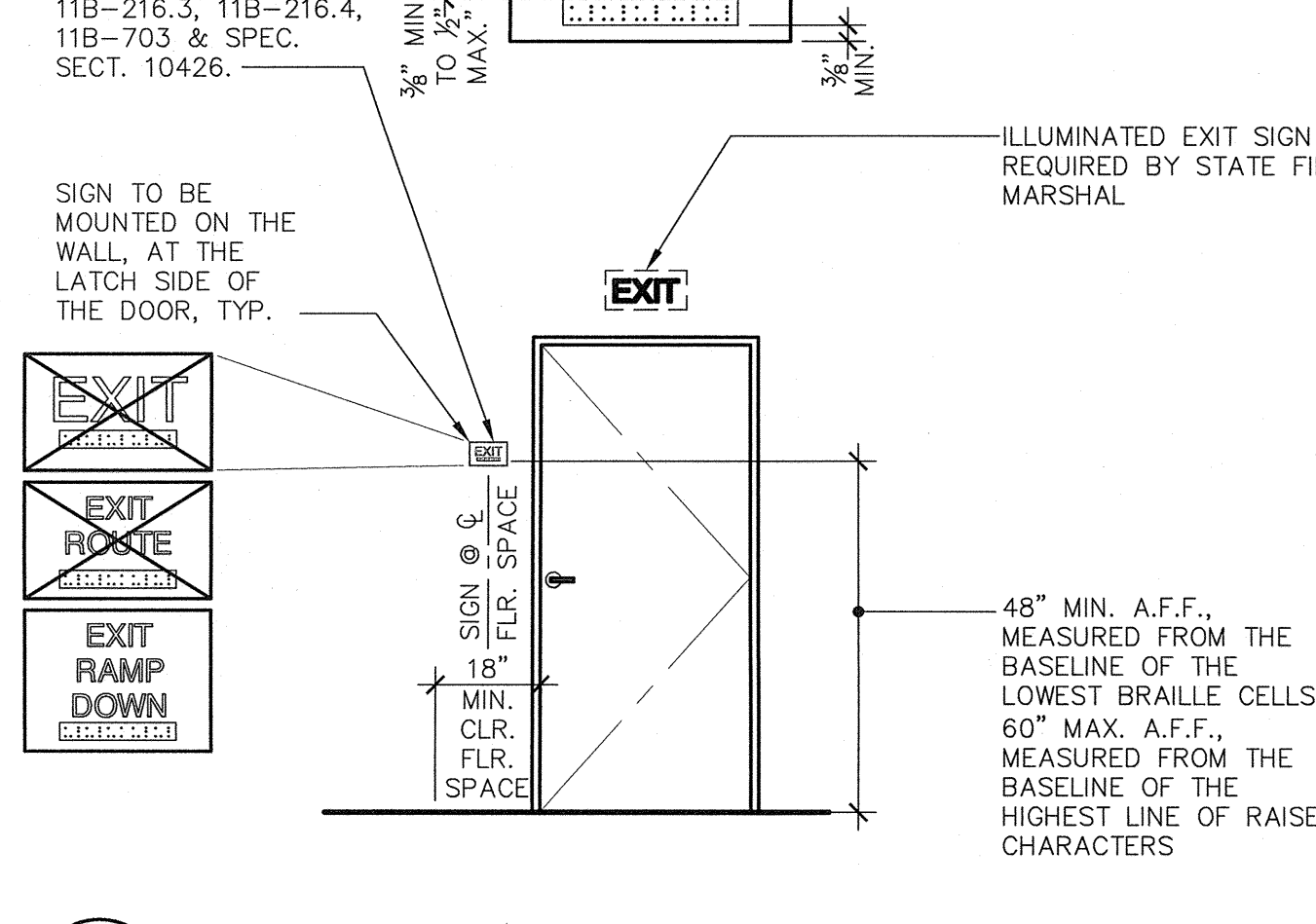
6 TYPICAL RESTROOM GEOMETRIC SIGNAGE
 ADX200-30 SCALE: NO SCALE



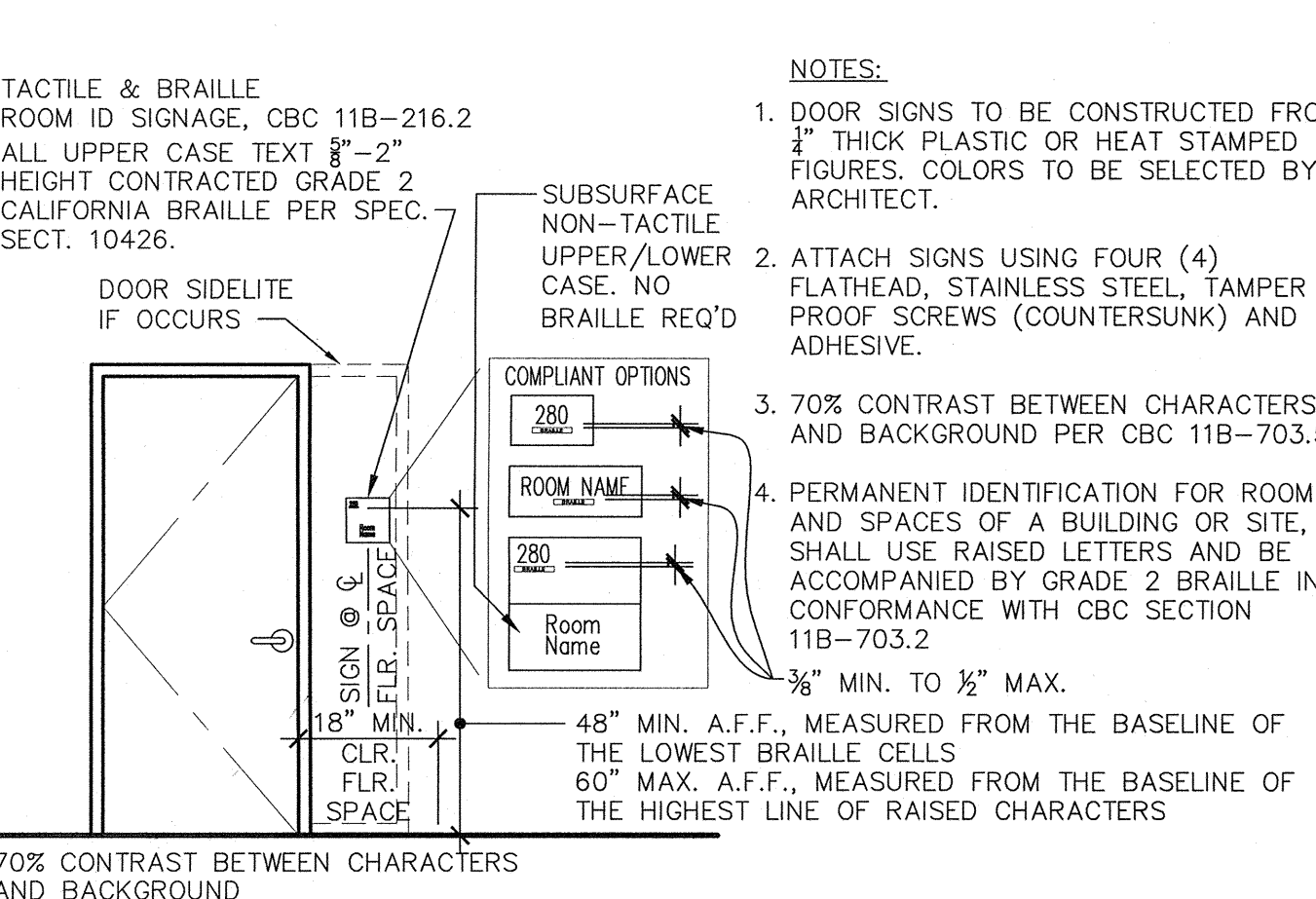
7 VAN ACCESSIBLE DOUBLE PARKING STALLS - TYPE 3
 ADA100-13 SCALE: 1/8" = 1'-0"



2 TYPICAL EXTERIOR DOOR SIGNAGE
 ADX200-01 SCALE: 3/8" = 1'-0"



3 ROOM ID SIGNAGE
 ADX100-01 SCALE: NO SCALE



4 BUILDING ENTRANCE I.S.A. SIGNAGE
 ADA100-01 SCALE: 1/4" = 1'-0"

Ownership of Documents
 This document, the ideas and designs incorporated herein, as an instrument of Professional Service is the property of Integrated Designs by SOMAM, Inc. and is not to be used, in whole or in part for any other project without written authorization.
 © COPYRIGHT 2014

Integrated designs by SOMAM, Inc.
 ARCHITECTURE - INTERIOR DESIGN - CONSTRUCTION MANAGEMENT
 9011 N. Fresno, Suite 100 - Fresno, California 93710
 Phone (559) 438-0887 Fax (559) 438-0887 E-Mail: design@somam.com
 www.integrateddesigns.com

Issue Date: 07/10/14
 Date: 07/09/14
 Designer: [Signature]
 DR: [Signature]
 PC: [Signature]

Agency Approval Stamp:
 IDENTIFICATION STAMP
 DIV. OF THE STATE ARCHITECT
 APP03 115891
 AC: [Signature] FLS: [Signature] SS: TB
 DATE: 7/24/14

Stamp(s):
 Job No.: 5126
 Sheet No.: A1.03
 Release: -

SITE DETAILS

2 RELOCATABLE CLASSROOMS
WAYSIDE ELEMENTARY SCHOOL
 BAKERSFIELD CITY SCHOOL DISTRICT
 1000 MING AVE. BAKERSFIELD, CA 93307

Issue Date: 07/10/14
 Date: 07/09/14
 Designer: [Signature]
 DR: [Signature]
 PC: [Signature]

Agency Approval Stamp:
 IDENTIFICATION STAMP
 DIV. OF THE STATE ARCHITECT
 APP03 115891
 AC: [Signature] FLS: [Signature] SS: TB
 DATE: 7/24/14

Stamp(s):
 Job No.: 5126
 Sheet No.: A1.03
 Release: -