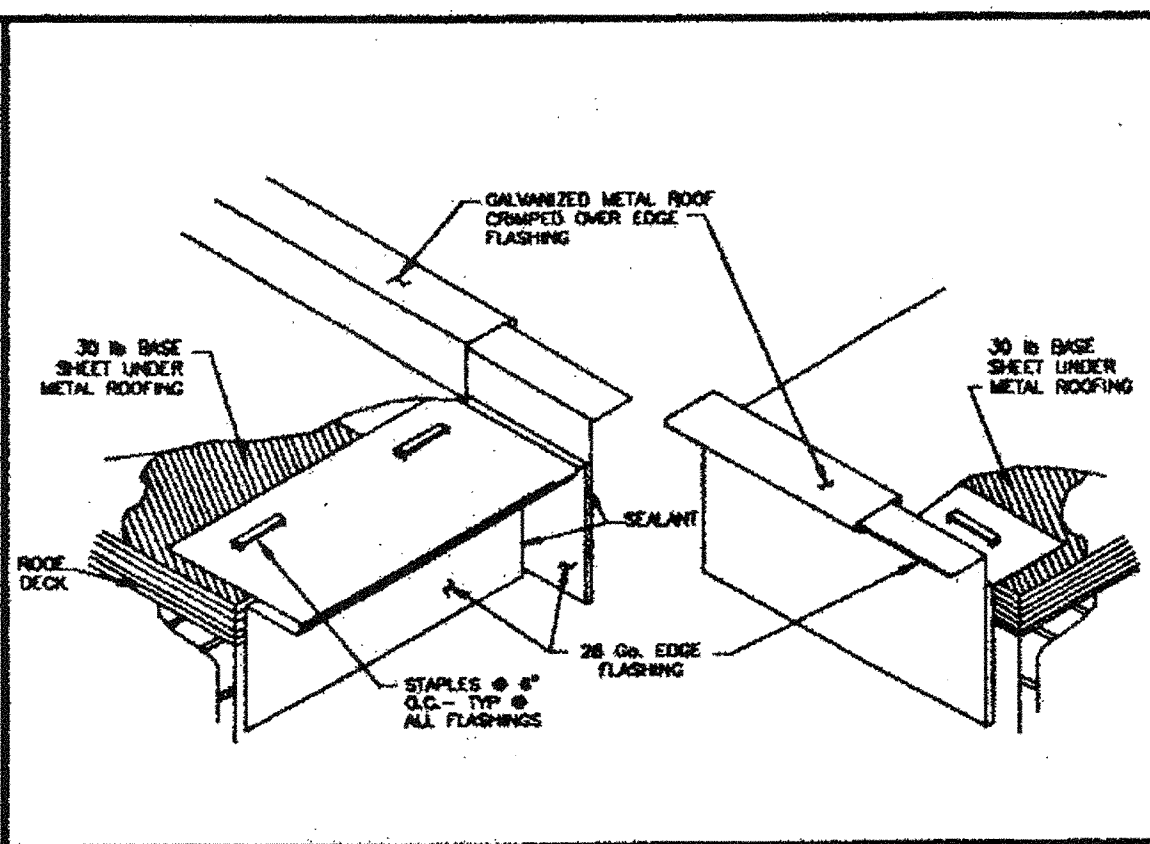
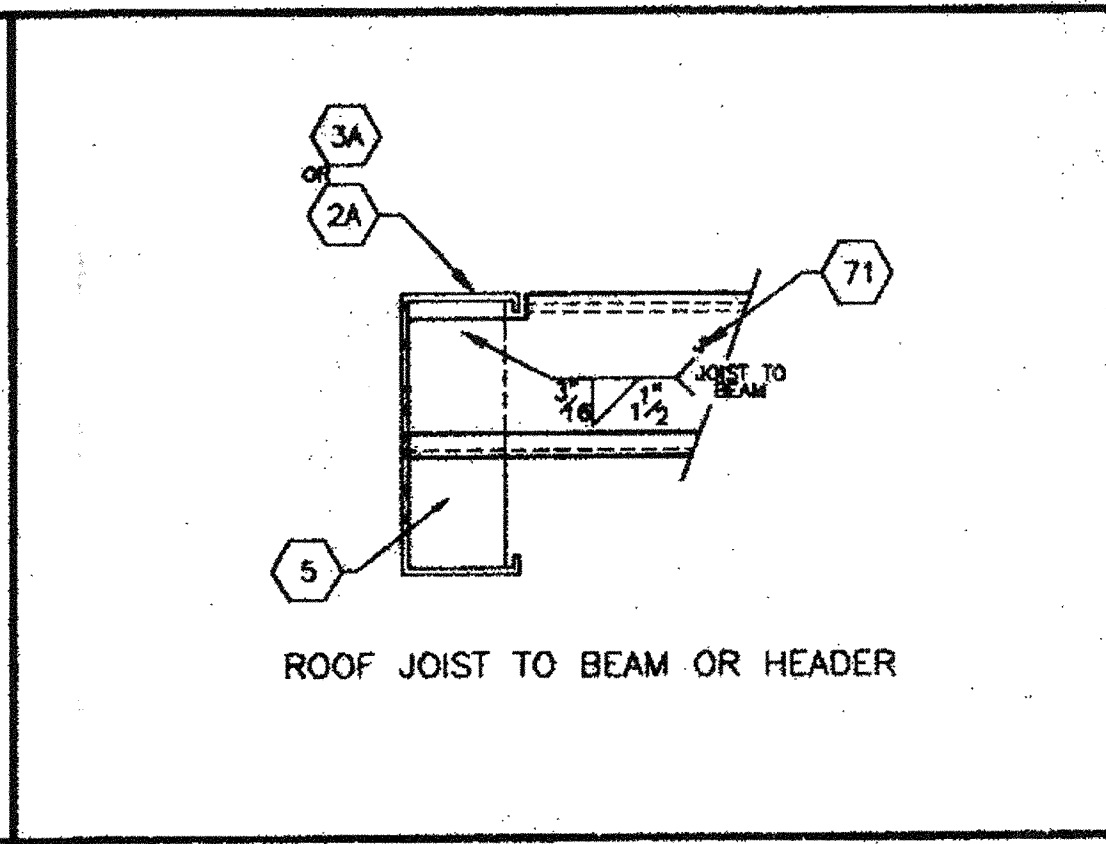


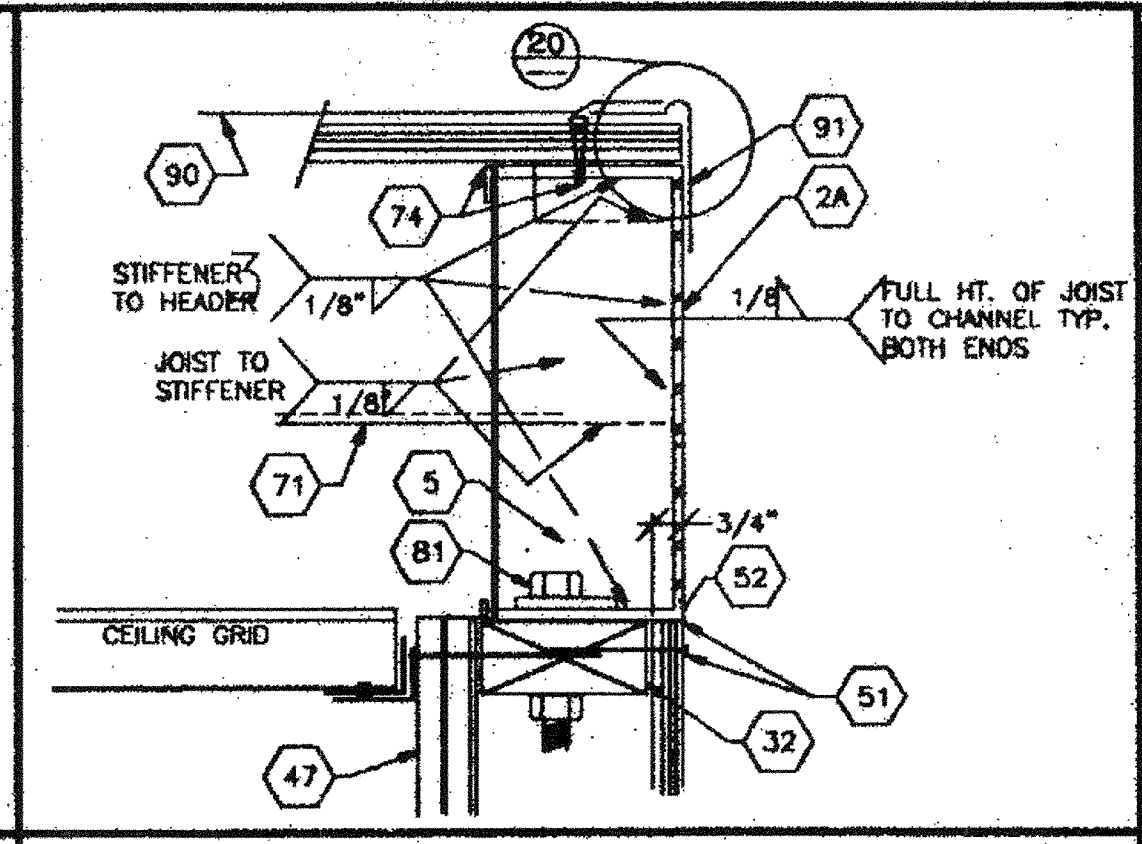
16 2' OVERHANG



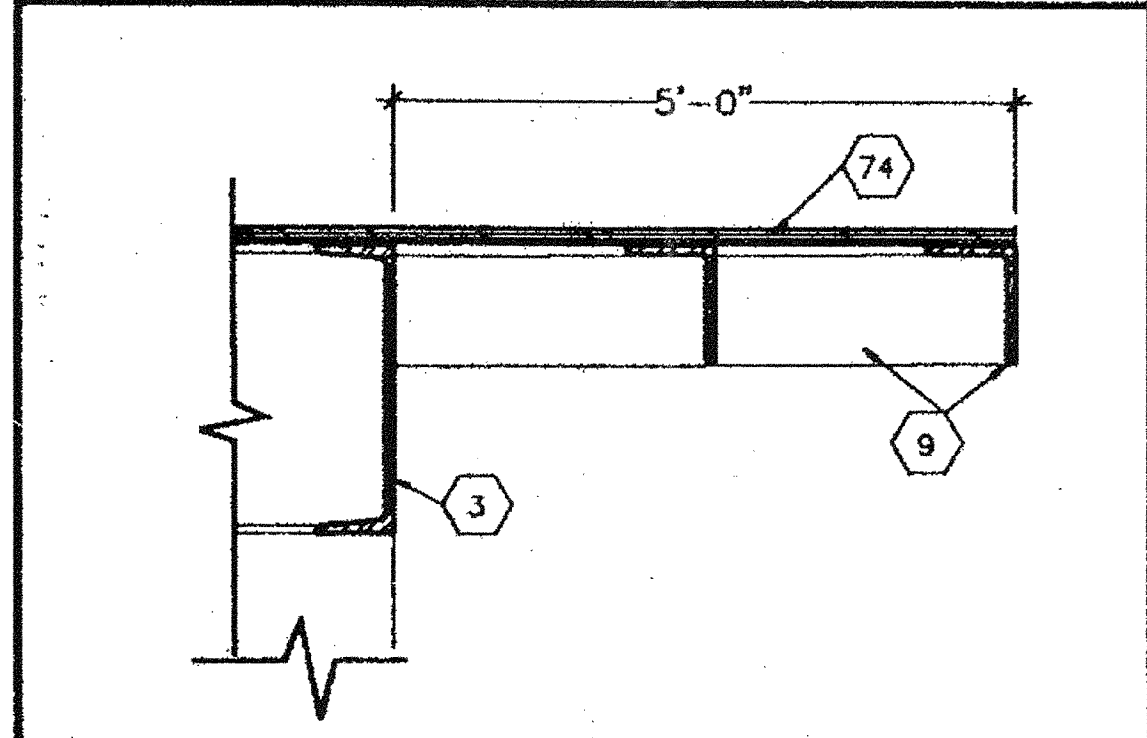
11 METAL ROOF @ CORNER



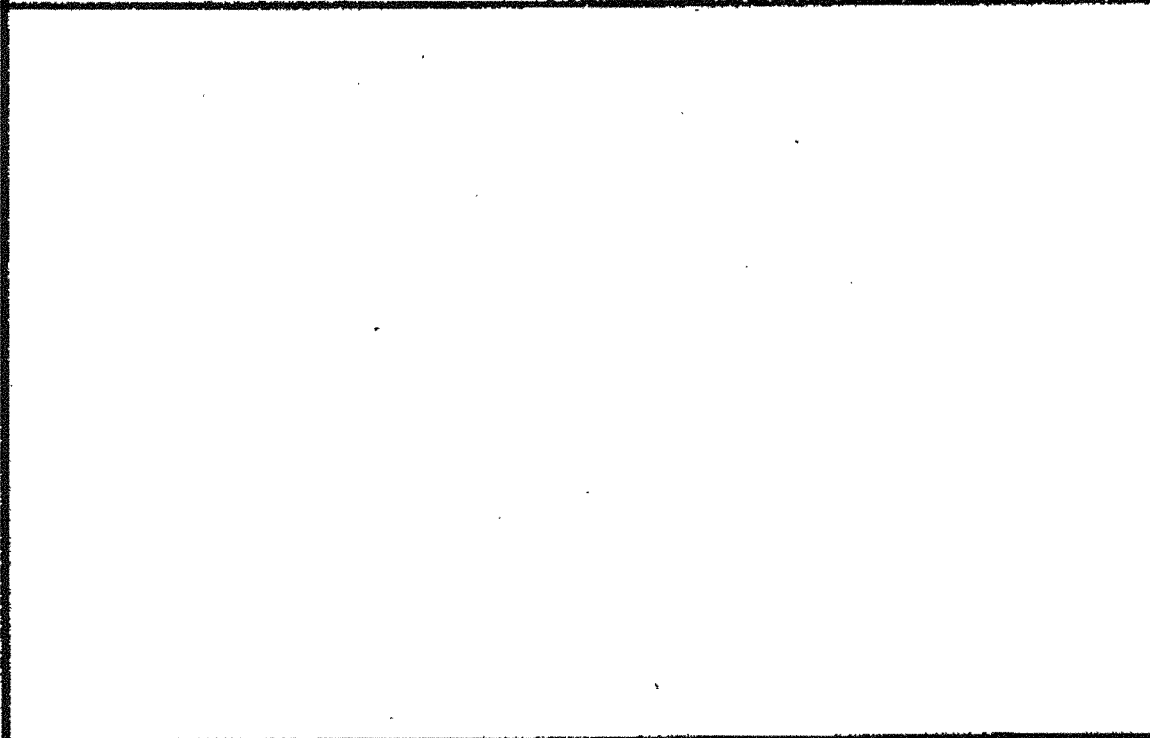
6 ROOF JOIST DETAILS



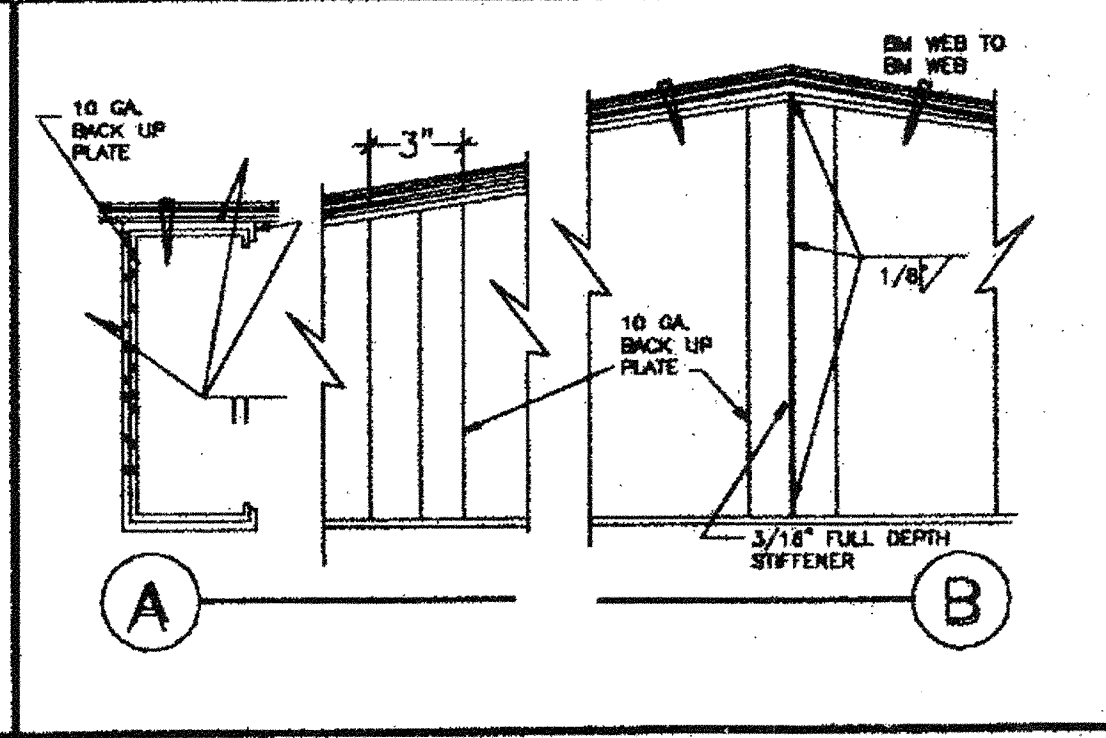
1 ROOF AT SIDEWALL



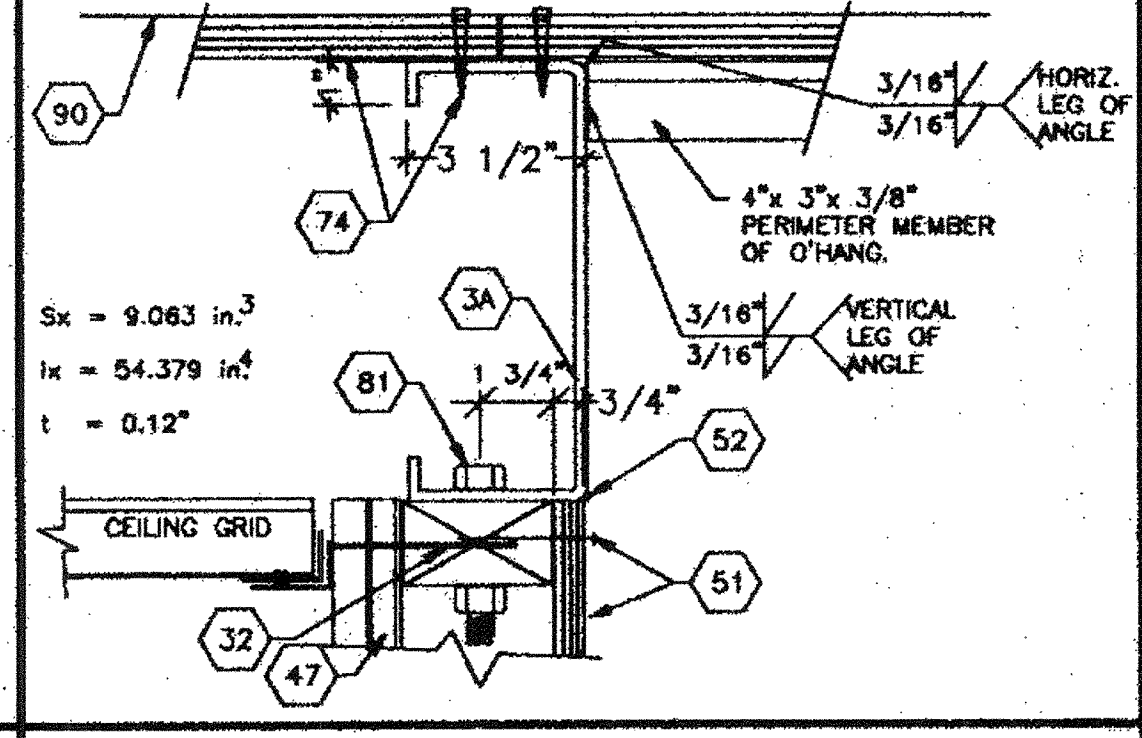
17 5' OVERHANG



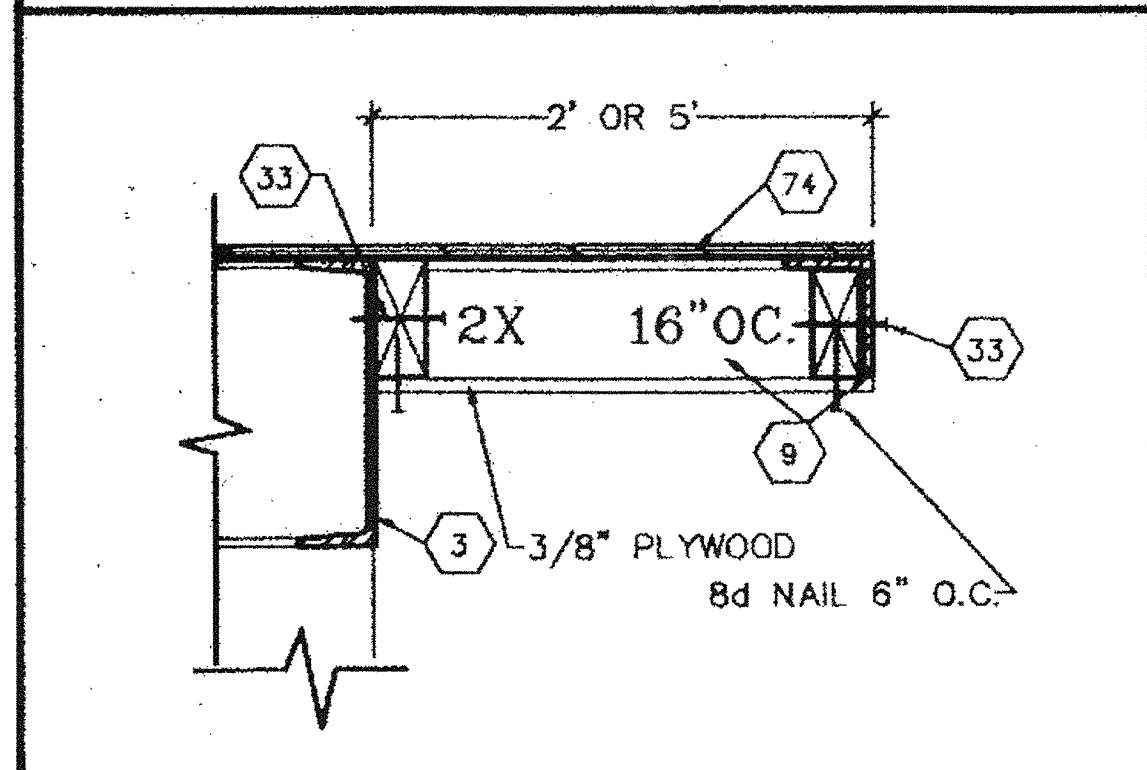
12



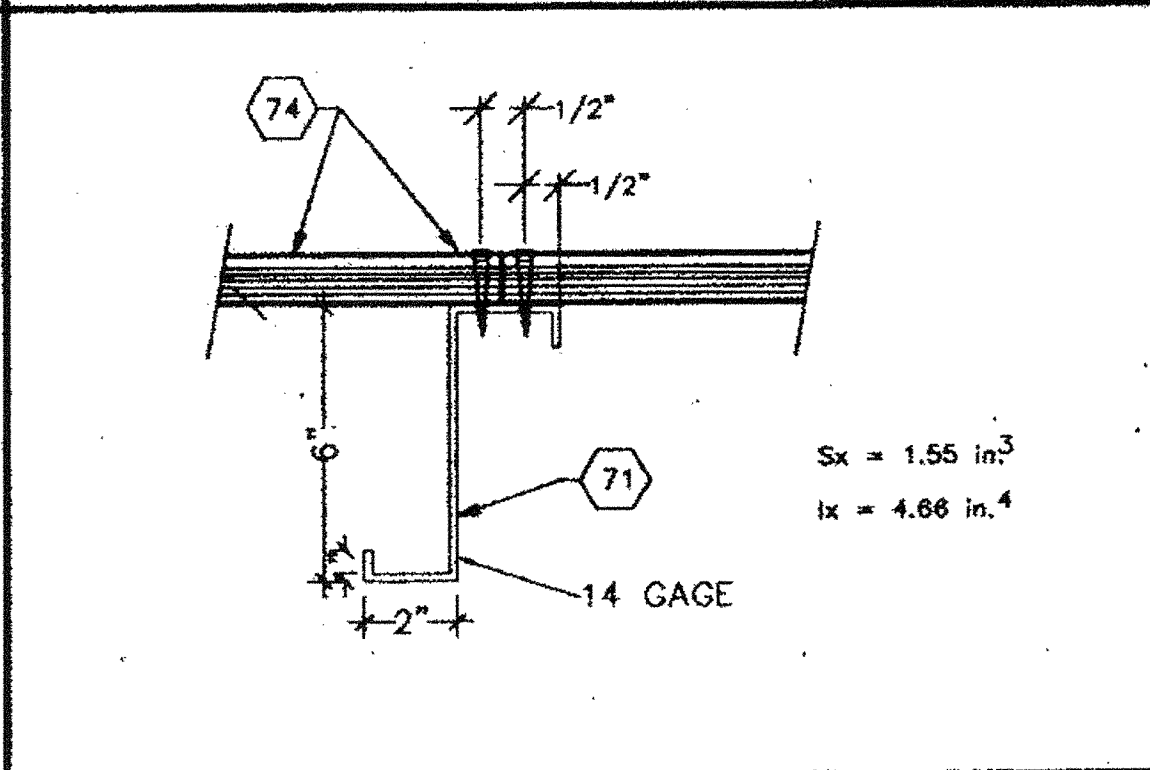
7 PLYWOOD ROOF AT BEAM



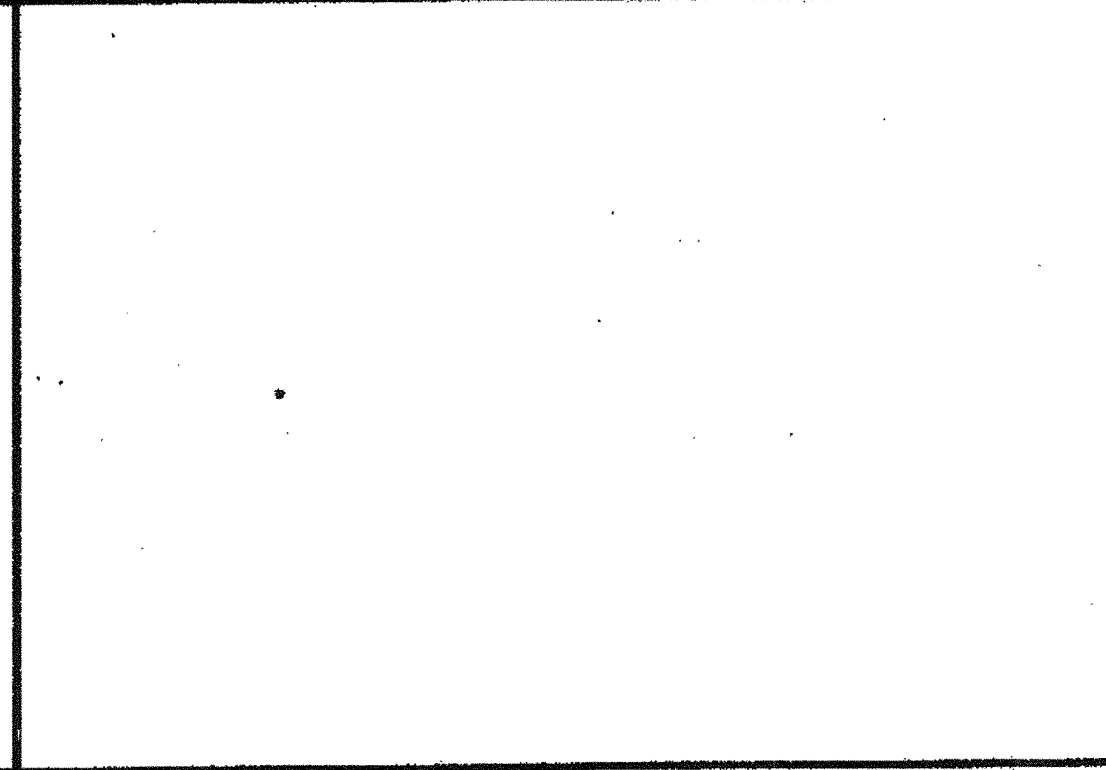
2 ROOF AT ENDWALL



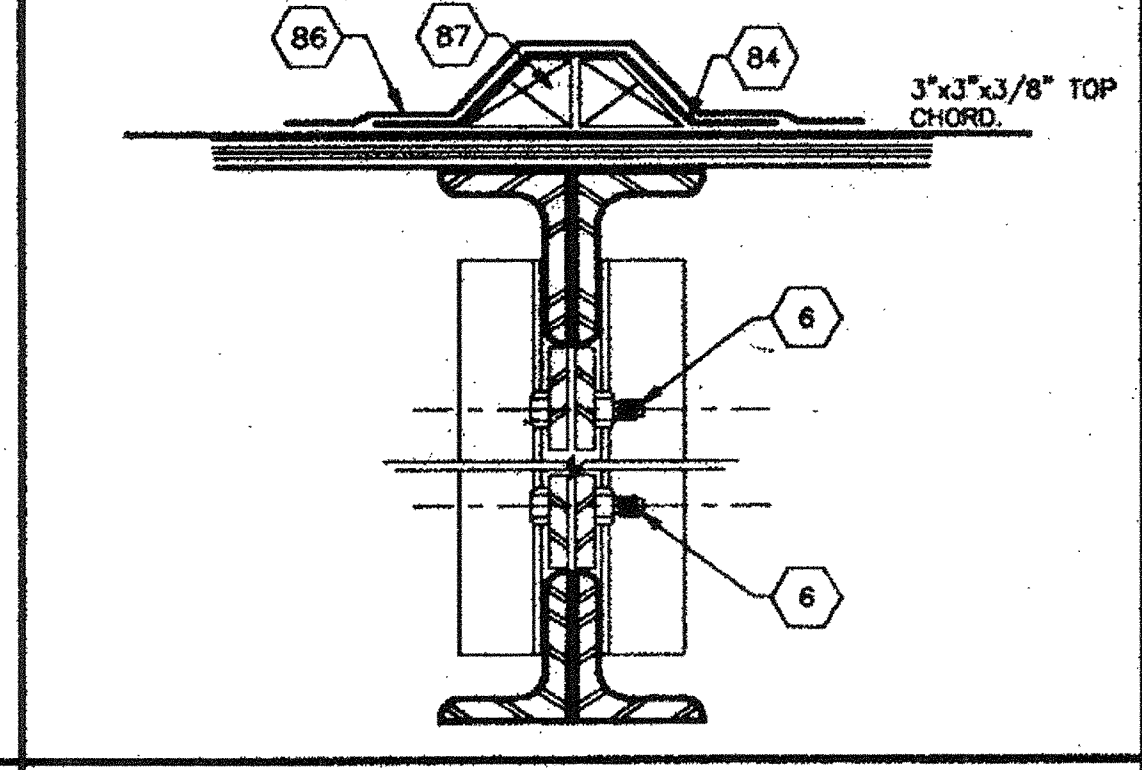
18 2' OR 5' OVERHANG OPTIONAL



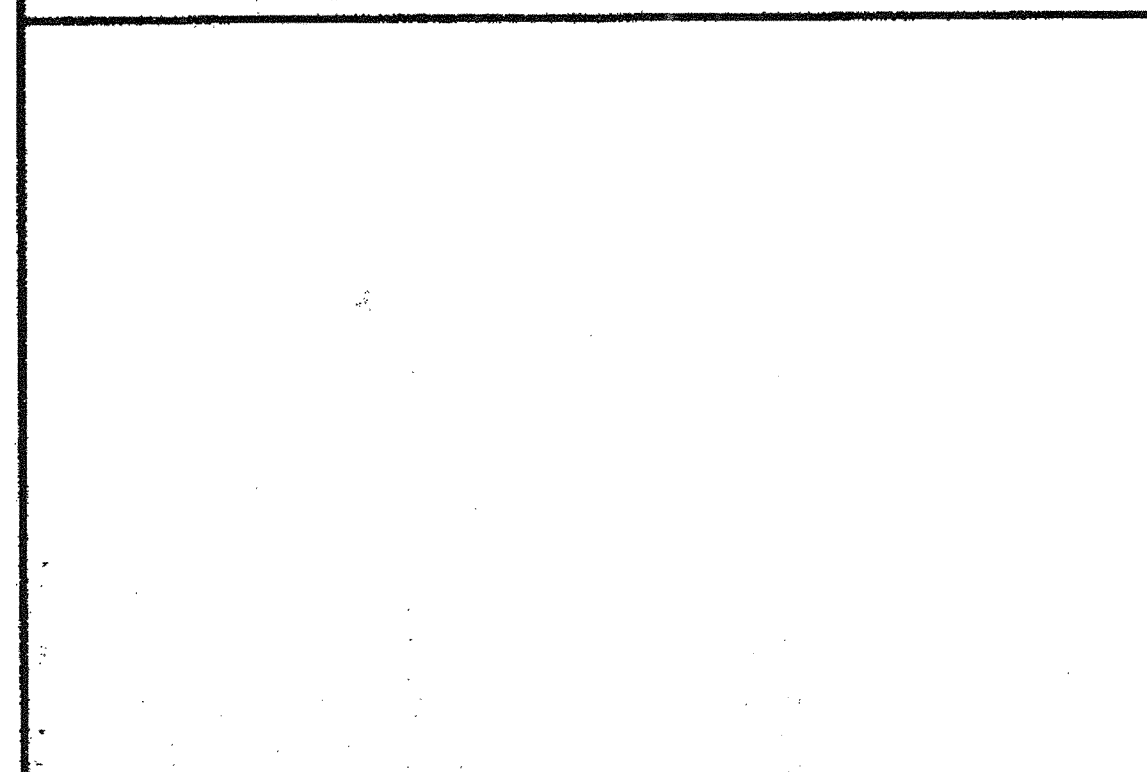
13 ROOF JOIST (EDGE COND.)



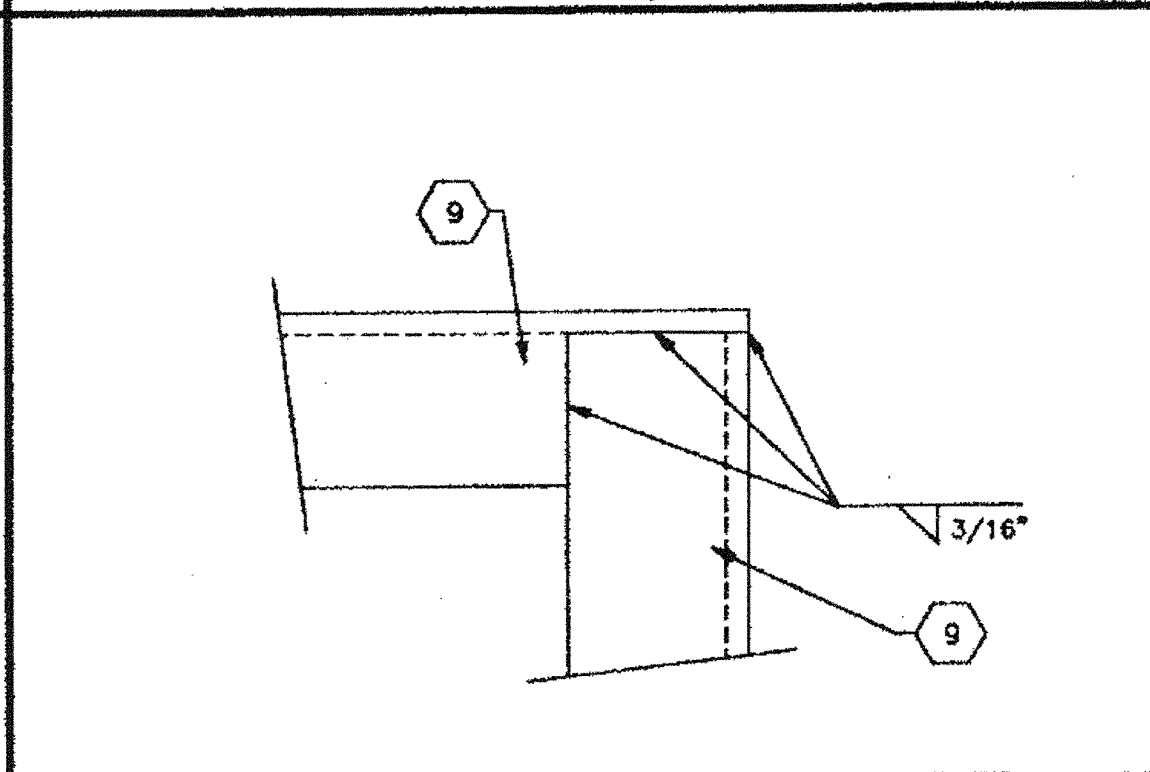
8



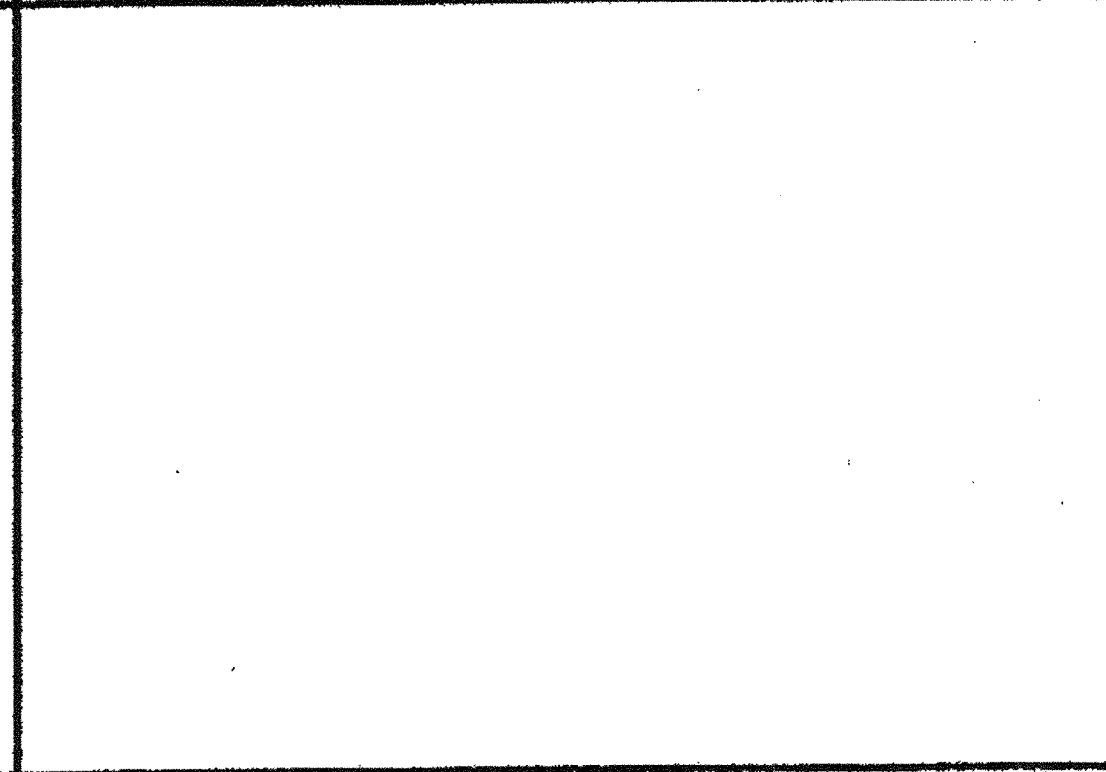
3 MOD. CONN. AT ROOF



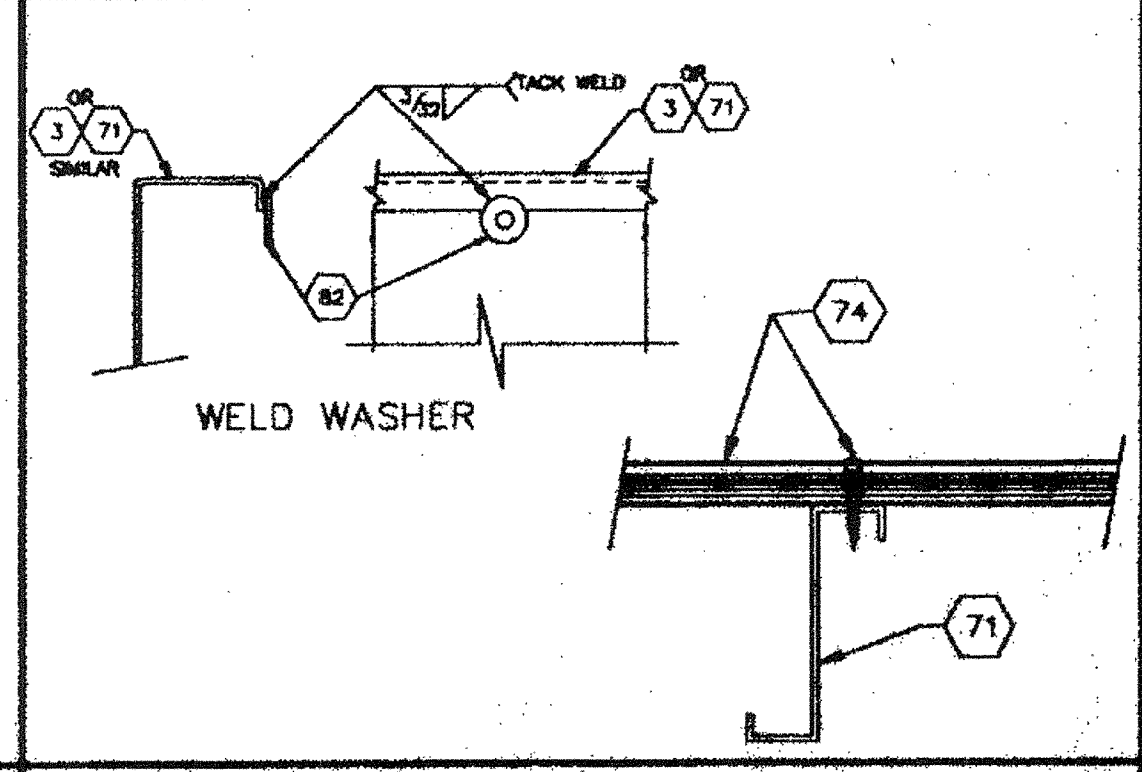
19



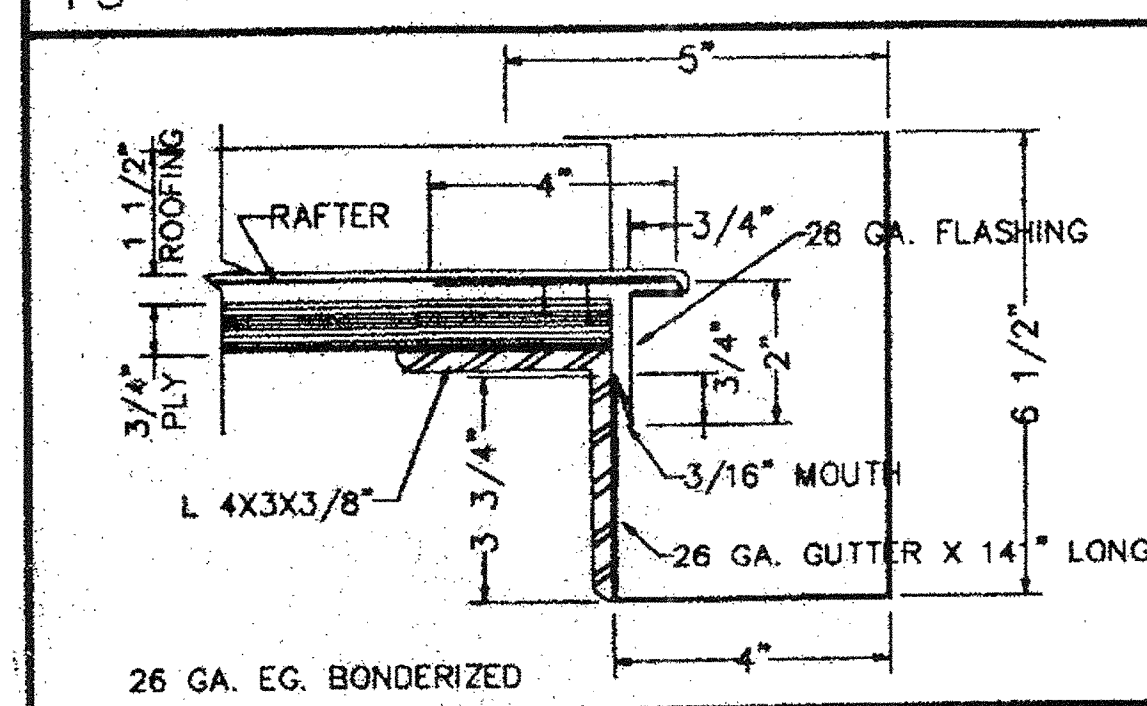
14 CORNER @ OVERHANG



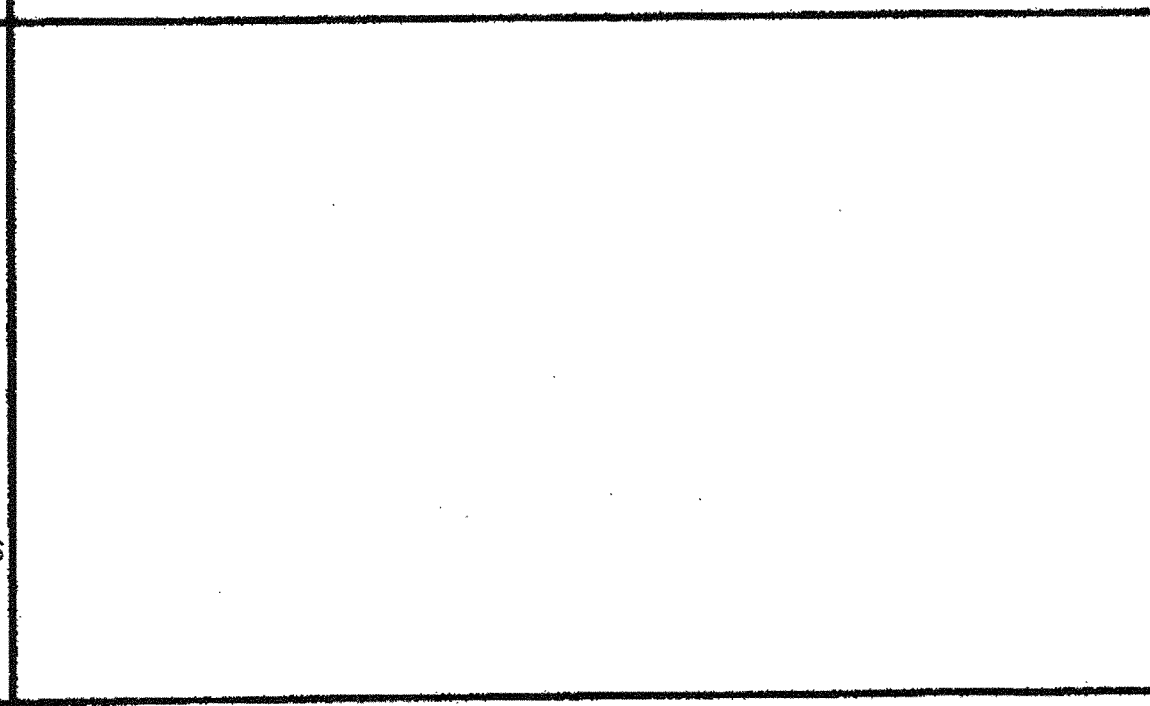
9



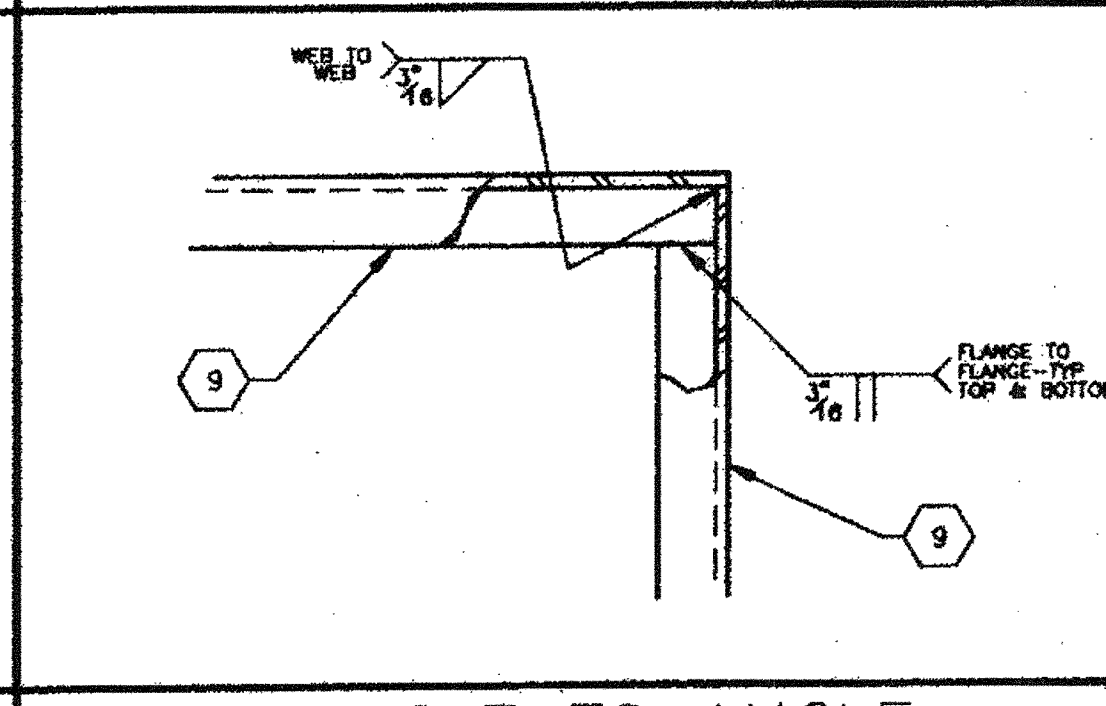
4 ROOF JOIST (FIELD COND.)



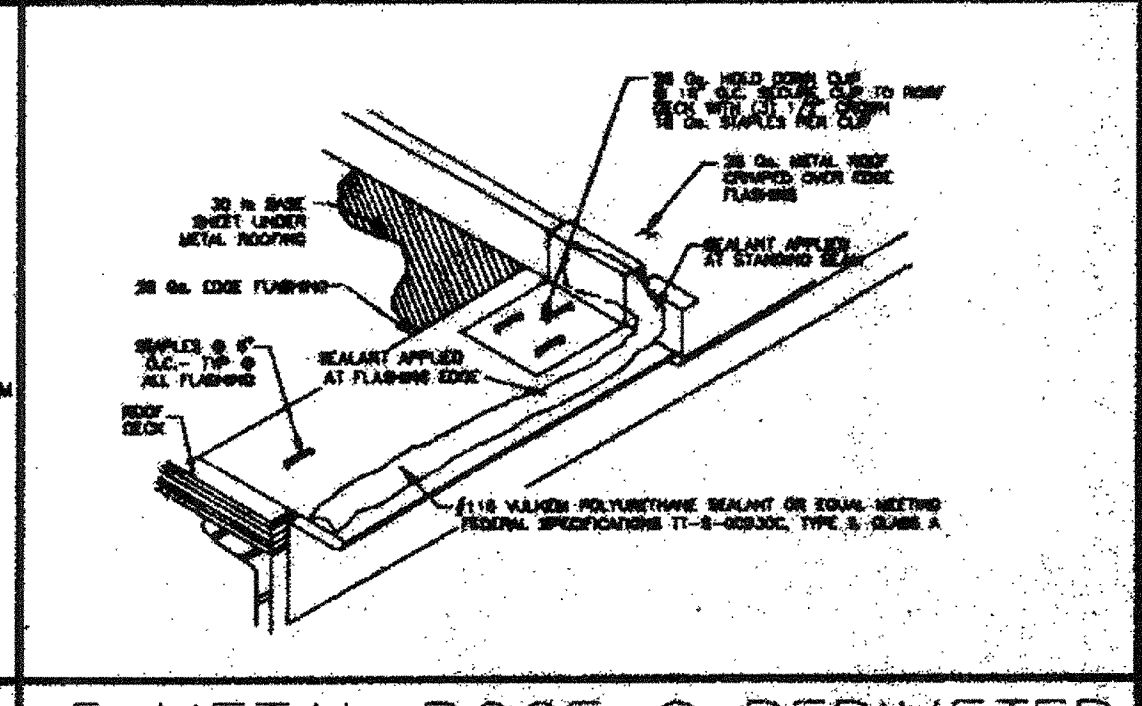
20 FASCIA



15



10 ANGLE TO ANGLE



5 METAL ROOF @ PERIMETER

KEYNOTES

- 2A. [ 18 X 23-18 x 3 1/2 x 10 go. CHANNEL
- 3A. 18x3 1/2"x12 Go. CHANNEL ROOF HEADER
- 5. 1/4" FULL HEIGHT STIFFENER @ 4'-0" O.C. OR AT ROOF JOIST
- 6. 5/8" MACHINE BOLT @ MODULE CONNECTION
- 9. 4"x 3"x 3/8" @ PERIM. OF ROOF OVERHANG.
- 32. 2 x 4 TOP PLATE OR BOTTOM PLATE
- 47. TYPICAL INTERIOR FINISH - SEE SHEET G-1
- 52. SEALANT
- 71. ROOF JOIST
- 74. ROOF SHEATHING - 3/4" C-D EXPOSURE 1, 48/24 SPAN RATING, PS 1-74, APA RATED OR EQUAL SQUARE EDGE W/ PLYWOOD CLIPS @ 16" O.C. ON UNSUPPORTED EDGES; ATTACH TO STEEL FRAMING WITH #10 x 2" SELF TAP SCREWS OR .170 PIN @ 6" O.C. BOUNDARY & EDGES AND 12" O.C. FIELD.
- 81. 1/2" MACHINE BOLT @ 24" O.C. MIN. OR .170 PIN AT 16" O.C.
- 83. TYPICAL EXTERIOR FINISH - SEE SHEET G-1
- 84. FIBERGLASS BASE 12" WIDE. NAIL EDGES 12" O.C.
- 86. MINERAL SURFACE CAP SHEET 18" WIDE SET IN COLD PROCESS CEMENT, NAIL AS REQUIRED, SPOT COAT NAIL HEADS.
- 87. CONTINUOUS WOOD CANT STRIP. EXTEND ROOFING TO TOP OF CANT STRIP.
- 90. ROOFING MATERIAL 26 GAGE, 30 GAGE OR BUILD UP ROOF
- 91. GALVANIZED 26 GAGE METAL FLASHING.

THIS DRAWING AND THE MATERIAL CONTAINED THEREIN ARE THE PROPERTY OF MSI, INC. AND SHALL NOT BE REPRODUCED, COPIED, OR OTHERWISE DISPOSED OF IN ANY MANNER WITHOUT THE WRITTEN CONSENT OF MSI, INC. ALL PATENTABLE MATERIAL CONTAINED HEREIN AND ORIGINATING WITH MSI, INC. SHALL BE THE PROPERTY OF MSI, INC.

ARCHITECT APPROVAL

STRUCTURAL ENGINEERS STAMP

PROFESSIONAL ENGINEER  
STATE OF CALIFORNIA  
No. 2266  
EXPIRES 12/31/2006

STATE AGENCY APPROVAL

PROJECT

24'X40', 36'X40', & 48'X40' MODULAR CLASSROOM BUILDING

TITLE

ROOF CONSTRUCTION DETAILS FOR COLD ROLLED AND PLYWOOD ROOFING

JUN 20 2006

STATE AGENCY APPROVAL

APPROVED

DATE JUN 17 1997

STATE AGENCY APPROVAL

APR 29 1997

MSI

MODULAR STRUCTURES INTERNATIONAL, INC.

1800 CENTRAL AVE. HUNTINGTON BEACH, CALIFORNIA 92647

PHONE: (949) 760-3030 FAX: (949) 760-1603

REGENCY ENGINEERING & CONSULTING GROUP

1000 CALIFORNIA SUITE # 108

IRVINE, CA 92714

TELEPHONE: (714) 268-3799

FAX: (714) 268-3795

A SUBSIDIARY OF REGENCY COMPANY, INC.

JOB # 96-1310

DATE 12/9/96

DRAWN BY B.N.

SCALE NONE

APPROVED

REVISIONS

2/4/97

4/18/97

4/25/97 MSI REV.

PLOT DATE: 04/28/97

SHEET NO. S-62