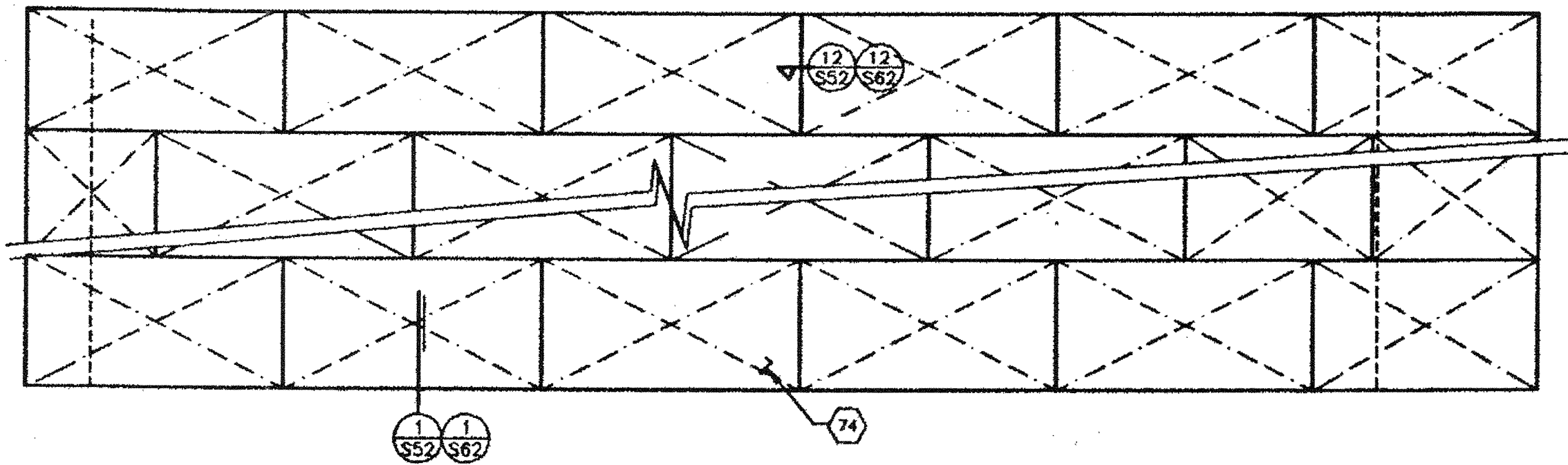
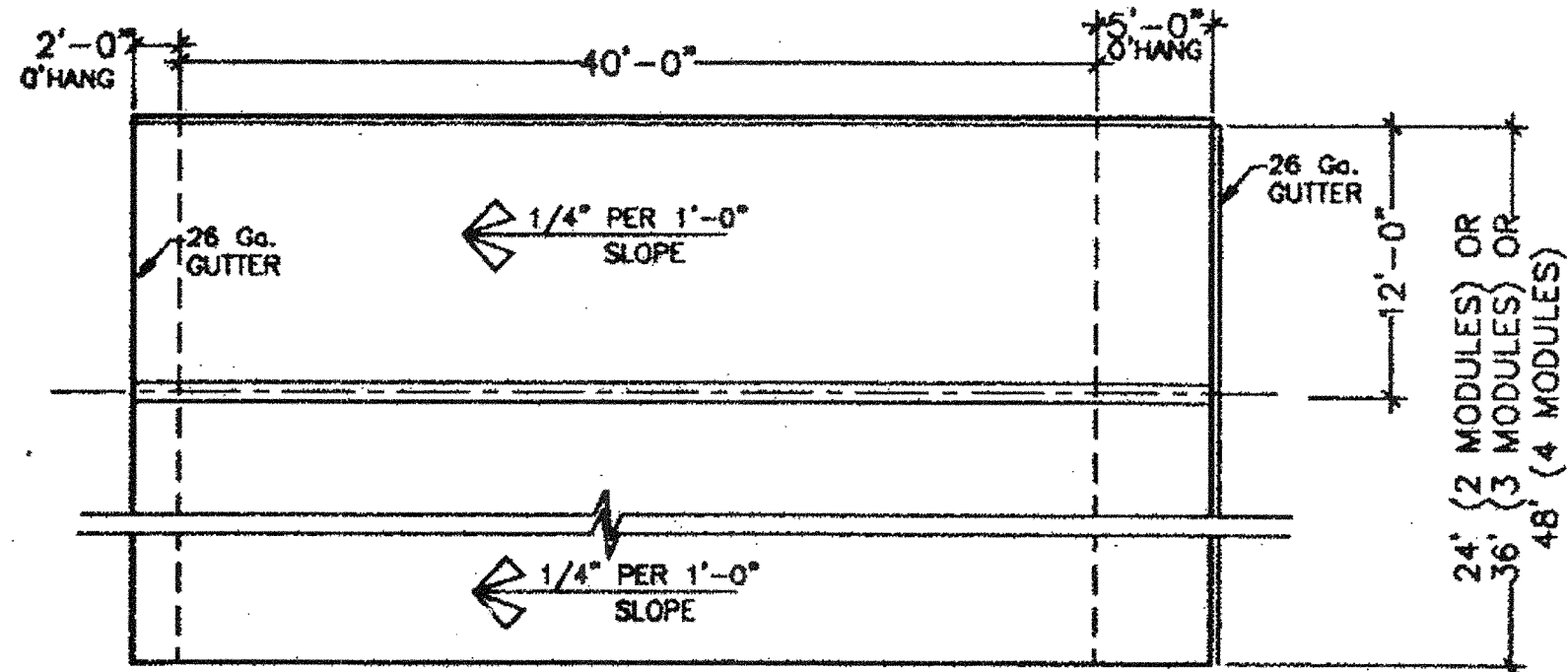


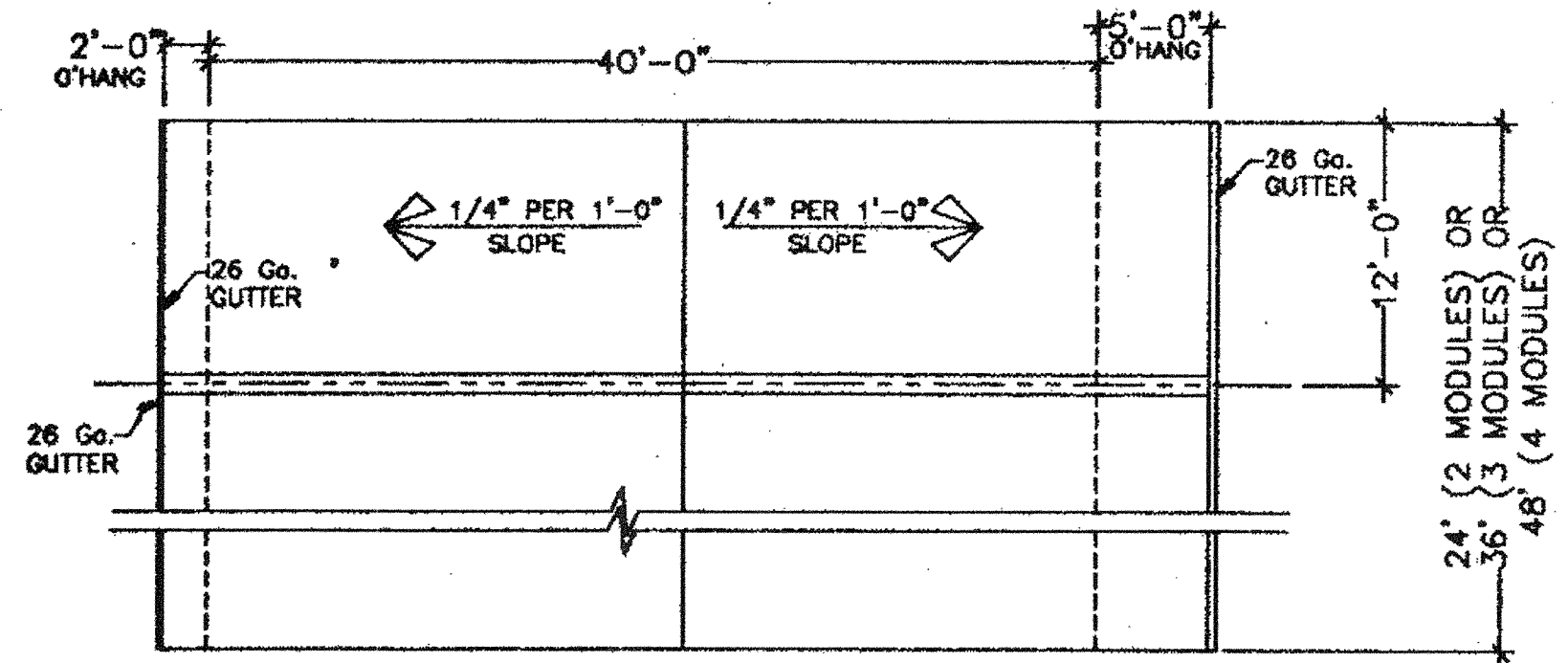
INSULATION @ ROOF



PLYWOOD DECKING LAYOUT
SINGLE SLOPE SHOWN



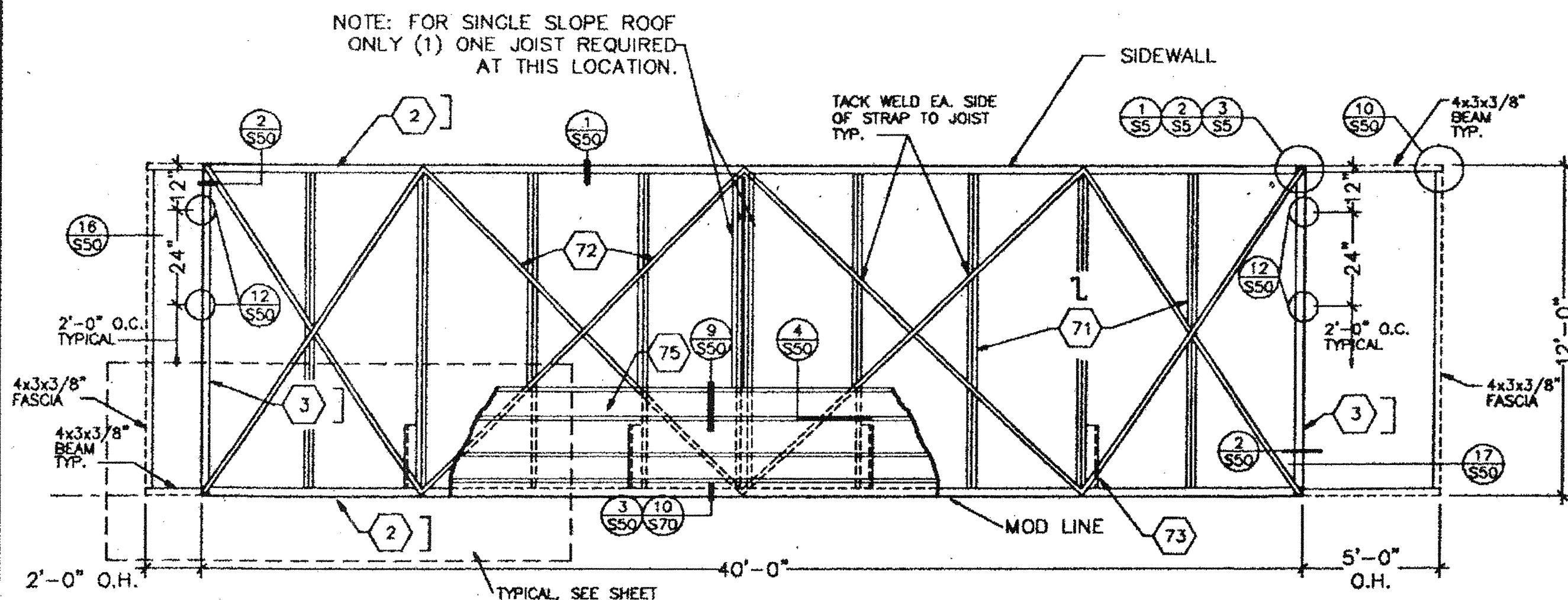
SINGLE SLOPE ROOF PLAN



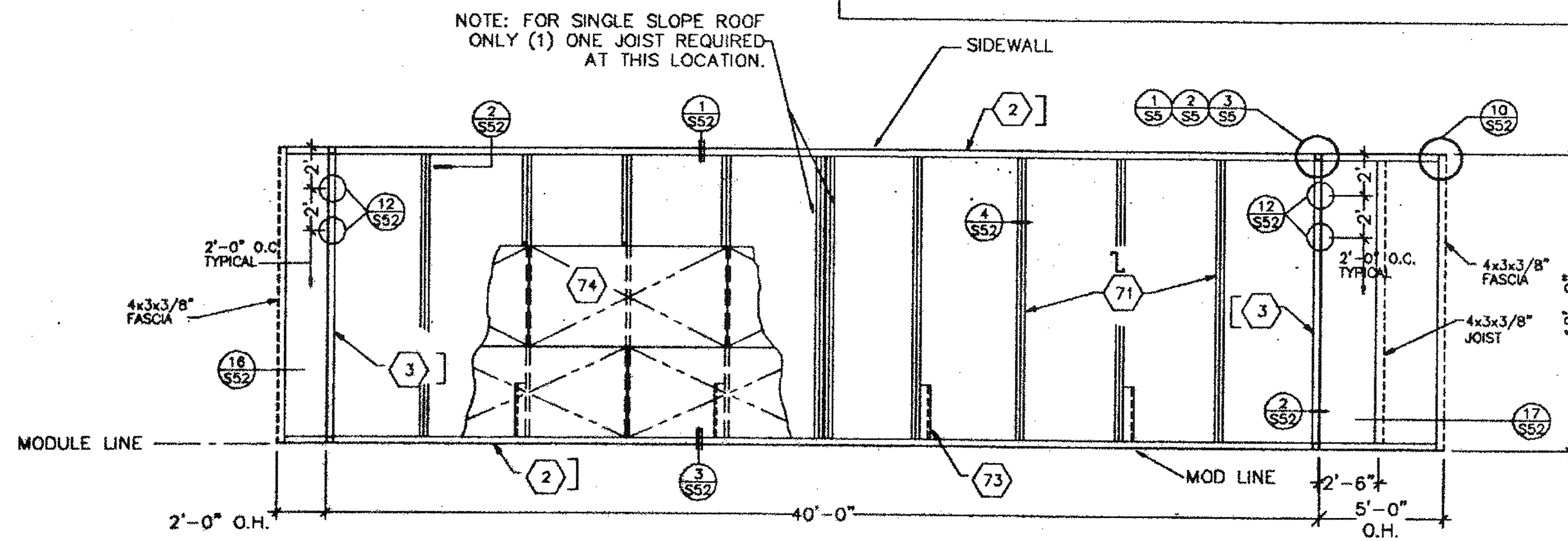
DOUBLE SLOPE ROOF PLAN

KEYNOTES

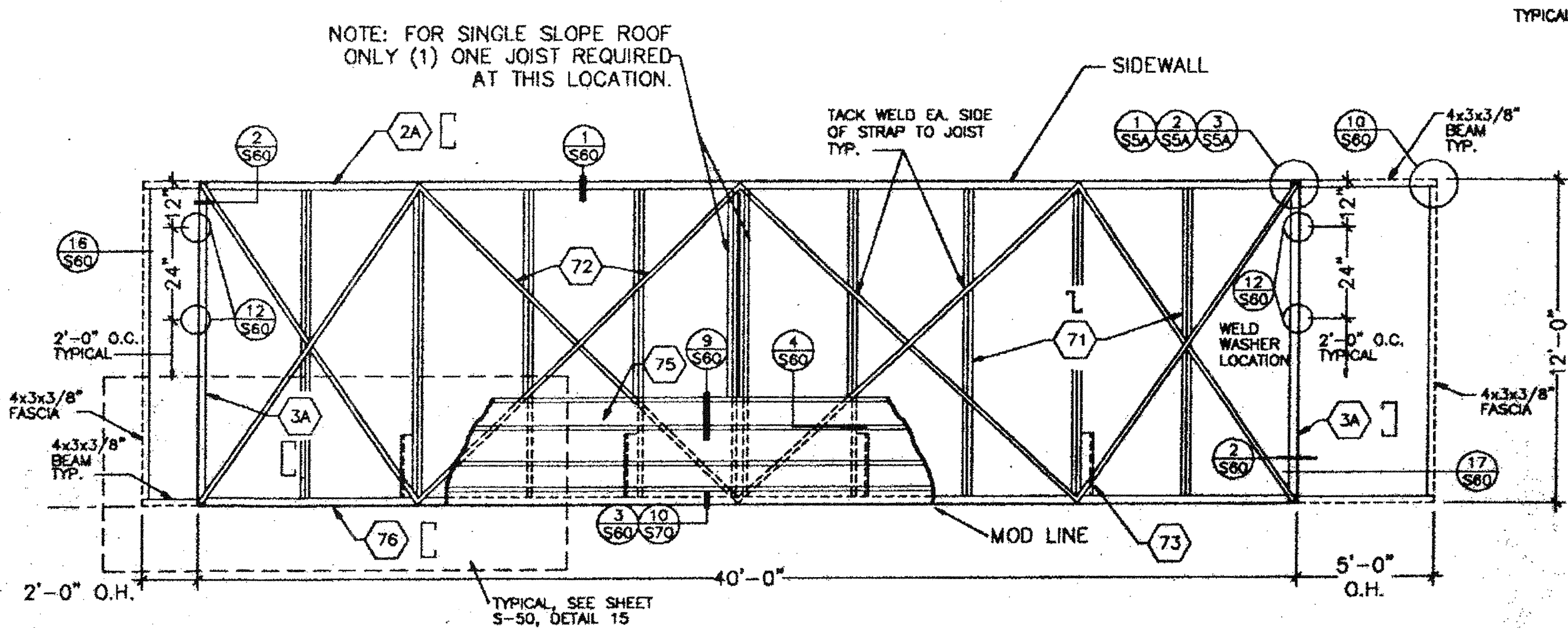
- 2 [12"x 20.7 lb STEEL ROOF BEAM FOR 20 PSF, [15 X 33.9 FOR 30 PSF R.L.L.
- 2A [18"x 18-23 X 3 1/2" X 10 Ga.
- 3 [12"x 20.7 lb STEEL ROOF HEADER
- 3A [18"x3 1/2"x12 Ga. RFC STEEL ROOF HEADER.
- 71 L 8"x 14 Ga. STEEL ROOF JOIST @ 48" O.C. FOR 20 PSF ROOF LL AND 32 O.C. FOR 30 PSF ROOF LL
- 72 2"x 20 Ga. STRAPS W/ 3" MIN. 1/8" FILLET WELD EACH END TO ROOF BEAM/HEADER TYP.
- 73 1 1/2"x1 1/2"x3/16" BRACE
- 74 ROOF SHEATHING- 3/4" C-D EXPOSURE 1, 48/24 SPAN RATING, PS 1-83, APA RATED OR EQUAL, SQUARE EDGE W/ PLYWOOD CLIPS @ 16" O.C. LONG EDGES ON UNSUPPORTED EDGES; ATTACH TO STEEL FRAMING WITH #10-24 X 1 3/4" SELF TAP SCREWS @ 6" O.C. BOUNDARY & EDGES AND 12" O.C. FIELD.
- 75 22 GAGE GALVANIZED METAL ROOFING. SEE SHEET S-50 & S-60
- 76 16/21/16 STEEL TRUSS. SEE SHEET S-70
- 77 NYLON NETTING FOR INSULATION SUPPORT.



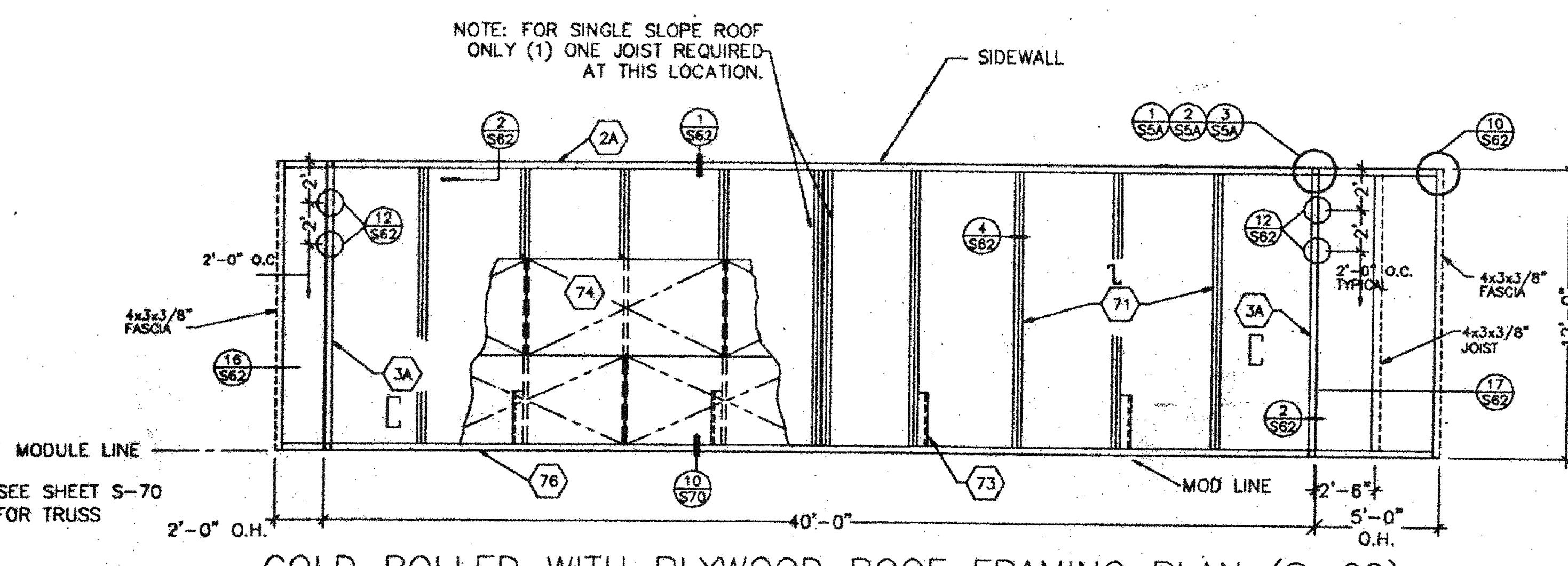
HOT ROLLED 'C' CHANNEL WITH 22 GA. METAL ROOF FRAMING PLAN (S-50)
METAL ROOF TO BE APPLIED PER APPROVED & LISTED MANUFACTURER'S INSTALLATION INSTRUCTIONS DOUBLE SLOPE



HOT ROLLED 'C' CHANNEL WITH PLYWOOD ROOF FRAMING PLAN (S-52)
26 OR 30 GAGE BUILT UP ROOF TO BE APPLIED & LISTED PER MANUFACTURER'S INSTALLATION INSTRUCTIONS DOUBLE SLOPE



COLD ROLLED WITH 22 GA. METAL ROOF FRAMING PLAN (S-60)
METAL ROOF TO BE APPLIED PER APPROVED & LISTED MANUFACTURER'S INSTALLATION INSTRUCTIONS DOUBLE SLOPE



COLD ROLLED WITH PLYWOOD ROOF FRAMING PLAN (S-62)
26 OR 30 GAGE BUILT UP ROOF TO BE APPLIED & LISTED PER MANUFACTURER'S INSTALLATION INSTRUCTIONS DOUBLE SLOPE

THIS DRAWING AND THE MATERIAL CONTAINED HEREIN ARE THE PROPERTY OF M.S.I. INC. AND SHALL NOT BE REPRODUCED, COPIED OR OTHERWISE DISPOSED OF IN WHOLE OR IN PART TO ASSIST IN THE MAKING OF OR FOR THE PURPOSE OF FURNISHING ANY INFORMATION OR PARTS THEREOF WITHOUT THE FULL KNOWLEDGE AND WRITTEN CONSENT OF M.S.I. INC. ALL PATENTABLE AND WRITABLE INVENTIONS OF M.S.I. INC. ARE RESERVED. M.S.I. INC. SHALL BE THE PROPERTY OF M.S.I. INC. MATERIAL CONTAINED HEREIN AND ORIGINATING WITH M.S.I. INC. SHALL BE THE PROPERTY OF M.S.I. INC.

ARCHITECT APPROVAL
STRUCTURAL ENGINEERS STAMP
PROFESSIONAL ENGINEER
STATE OF CALIFORNIA
EXPIRES 3/1/98

STATE AGENCY APPROVAL
JUN 20 2016

PROJECT
24'X40', 36'X40', & 48'X40'
MODULAR CLASSROOM BUILDING

JOB # 96-1310
DATE 12/9/96
DRAWN BY B.N.
SCALE NONE
APPROVED
REVISIONS
2/4/97
4/25/97

STATE AGENCY APPROVAL
APR 29 1997
PLOT DATE: 04/28/97
SHEET NO. S-40

MSI
MODULAR STRUCTURES INTERNATIONAL, INC.
480 OTHER A.C. HIGHWAY, OAKLAND, CALIFORNIA 94607
PHONE: (909) 788-3400 FAX: (909) 788-1833

REGENCY ENGINEERING & CONSULTING GROUP
1000 COMMERCIAL SUITE # 108
IRVINE, CALIFORNIA 92614
TELEPHONE: (714) 948-9790
FAX: (714) 948-9795
A SUBSIDIARY OF REGENCY COMPANY, INC.

TITLE
GENERAL ROOF CONSTRUCTION LAYOUT

PC-323