

16 PANEL JOINT

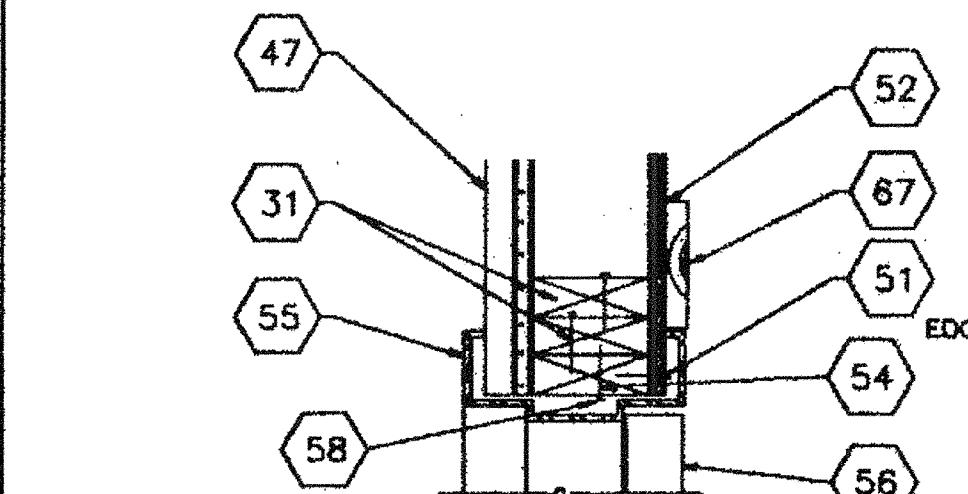
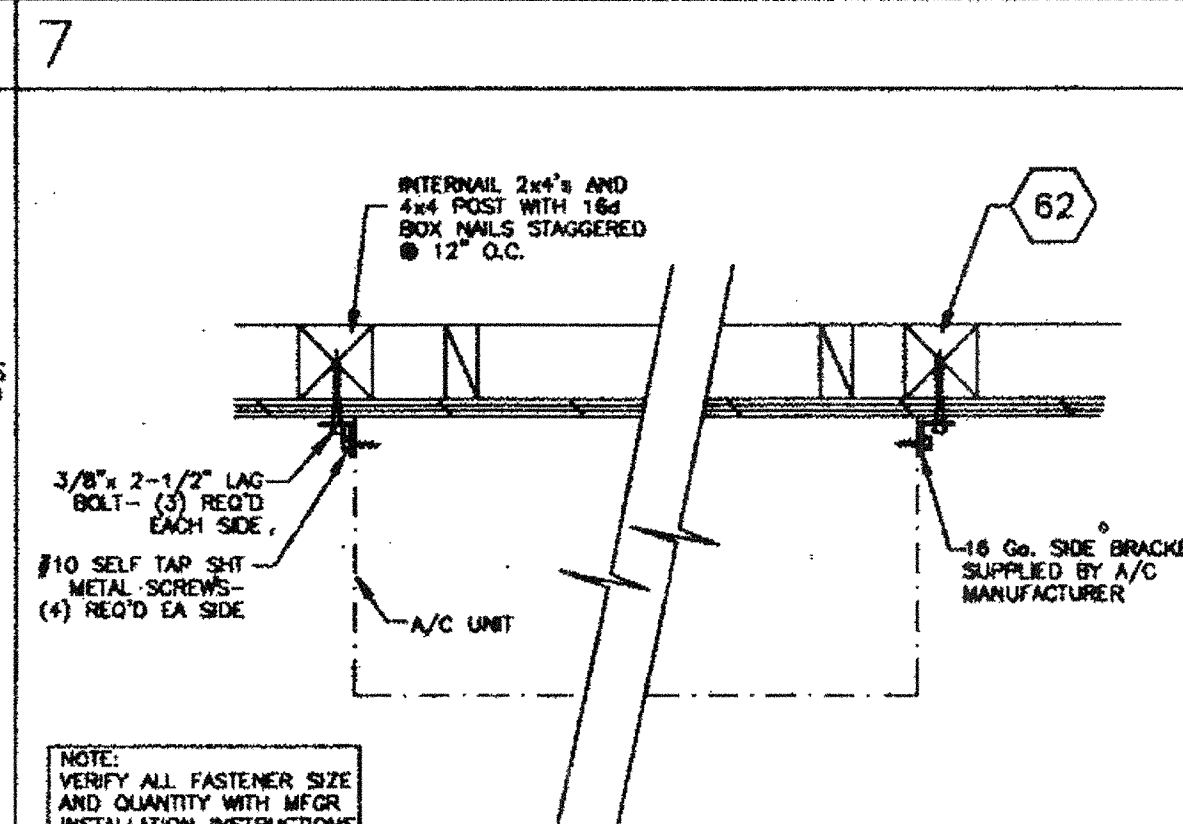
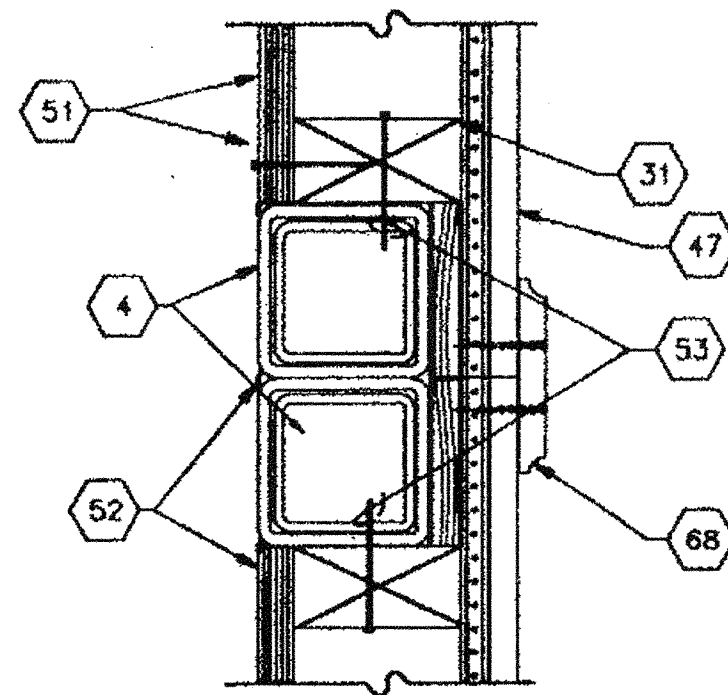
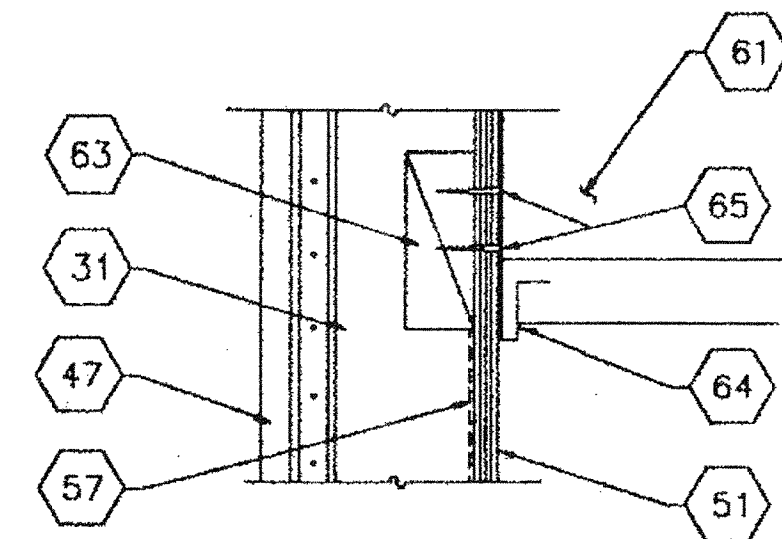
11 TOP PLATE SPLICE

6 WINDOW HEADER

1 DOOR HEAD

KEYNOTES

- STEEL FLOOR CHANNEL
- STEEL TUBE COLUMN - SEE SHEET S-5
- STEEL FLOOR JOIST
- FLOOR SHEATHING
- 2x4 FULL HT STUDS
- 2x4 TOP & BOTTOM PLATE
- GALV METAL FLASHING
- HEADER - (2) 2x4 H.F. STD GRADE FLAT
- TYPICAL INTERIOR FINISH - SEE SHEET G-1 FOR MATERIALS
- EXTERIOR PLYWOOD SIDING/SHEATHING - NAIL W/ CORROSION RESISTANT (.131 X 3 1/4" NAILS) 8d BOX NAILS AT 6" O.C. BOUNDARY & EDGES, AND 12" O.C. FIELD WITH MOISTURE BARRIER. SEE SHEET G-1 FOR MATERIALS.
- SEALANT
- 'HILTI' DN57-PB @ 24" O.C. (OR RAMSET 1514 SD) OR .171 PIN AT 24" O.C.
- 2x4 TRIMMER
- HOLLOW METAL DOOR FRAME
- METAL DOOR
- WATERPROOF MEMBRANE
- 16d NAIL OR .144 PIN AT 16" O.C.
- DOOR BOTTOM W/ WEATHER STRIP
- ALUM THRESHOLD
- WALL MTD. A/C
- 4x4 H.F. #2 POST (OR BETTER)
- 2x8 BLOCK BETWEEN STUDS, ATTACH TO STUDS W/ (2) 16d BOX NAILS EA. END
- 11 GA x 24" LONG STEEL BOTTOM BRACKET
- 3/8" DIA x 2-1/2" LAG BOLTS
- 3/4" SPACER-PLYWOOD
- 1x4 TRIM (OPTIONAL)
- VINYL WRAPPED CLOSE-OFF BATT. ATTACH W/ #8x2 1/4" PAN HEAD WOOD SCREWS STAGGERED 24" O.C. AND (2) SCREWS TOP AND BOTTOM
- 3 1/4"x1"x4"-6" C x 10 GA. CHANNEL TOP & BOTTOM.
- ROOF JOIST, SEE SHEET S-40

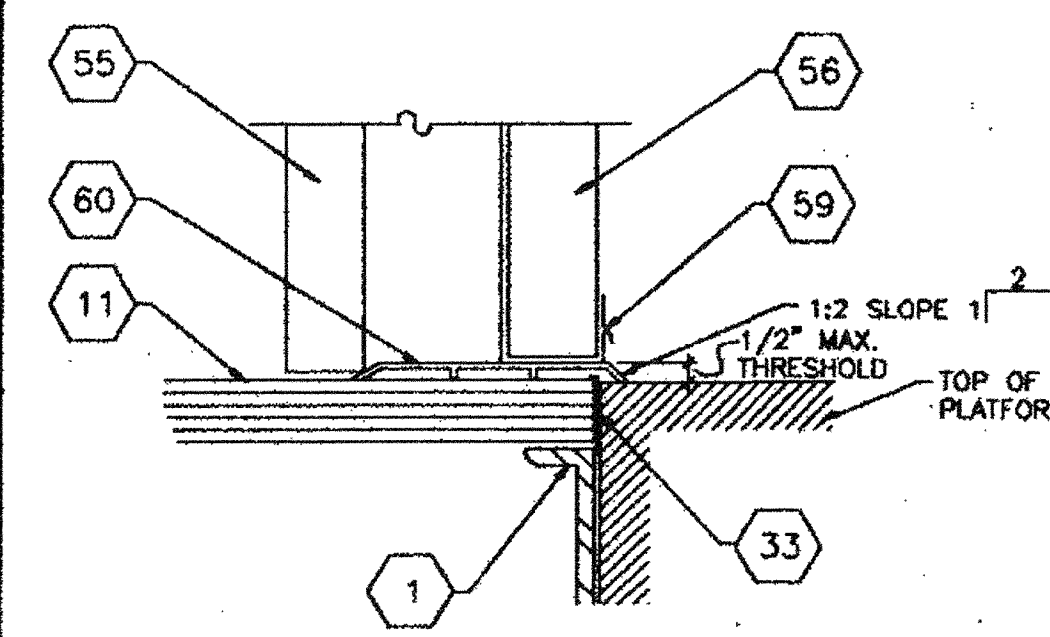
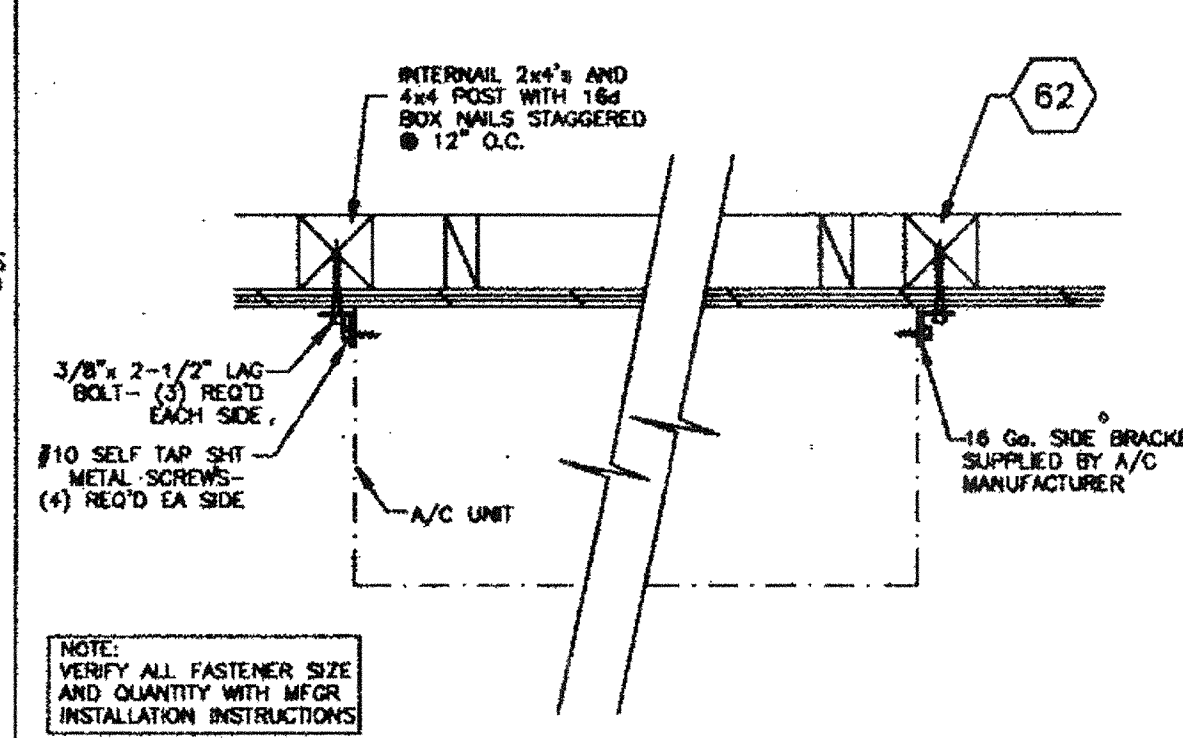
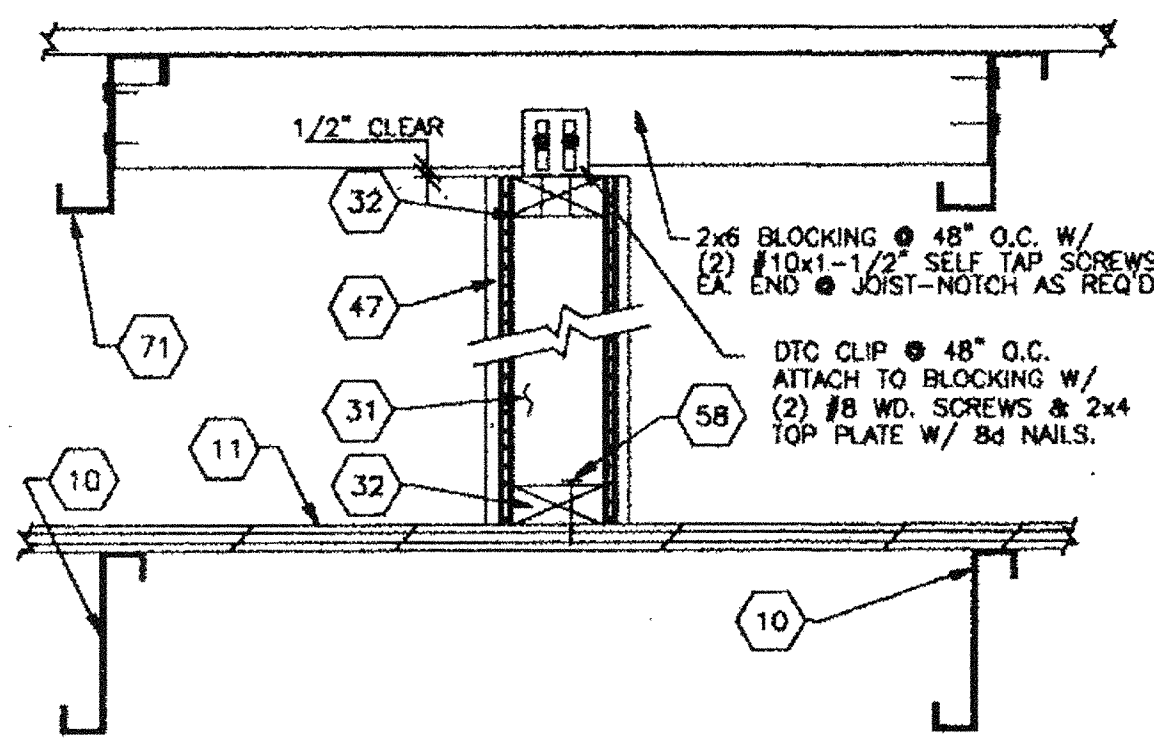
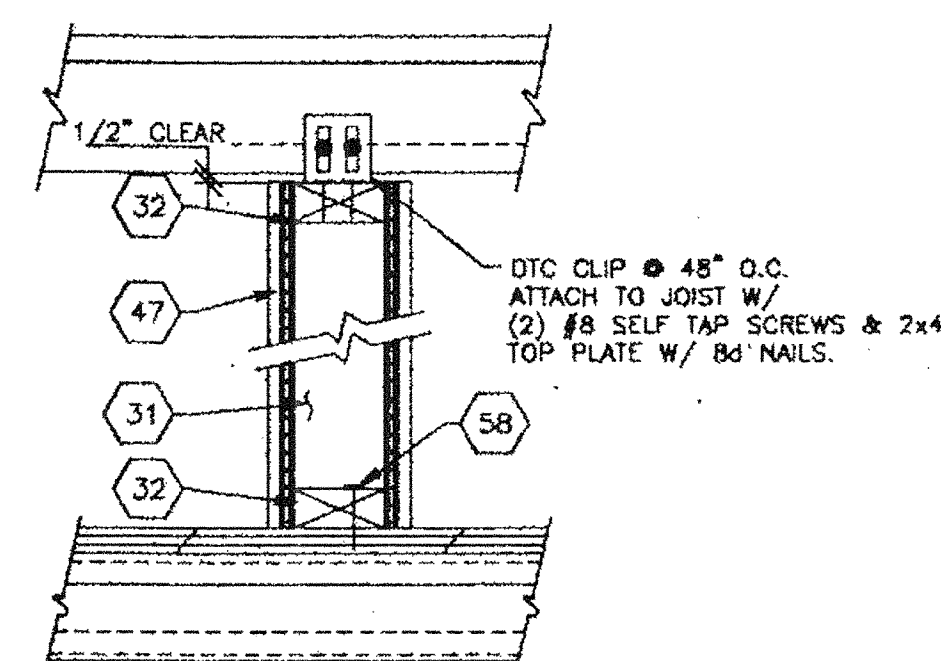


17 A/C BOTTOM BRACKET

12 COLUMN AT MODULE LINE

7

2 DOOR JAMB

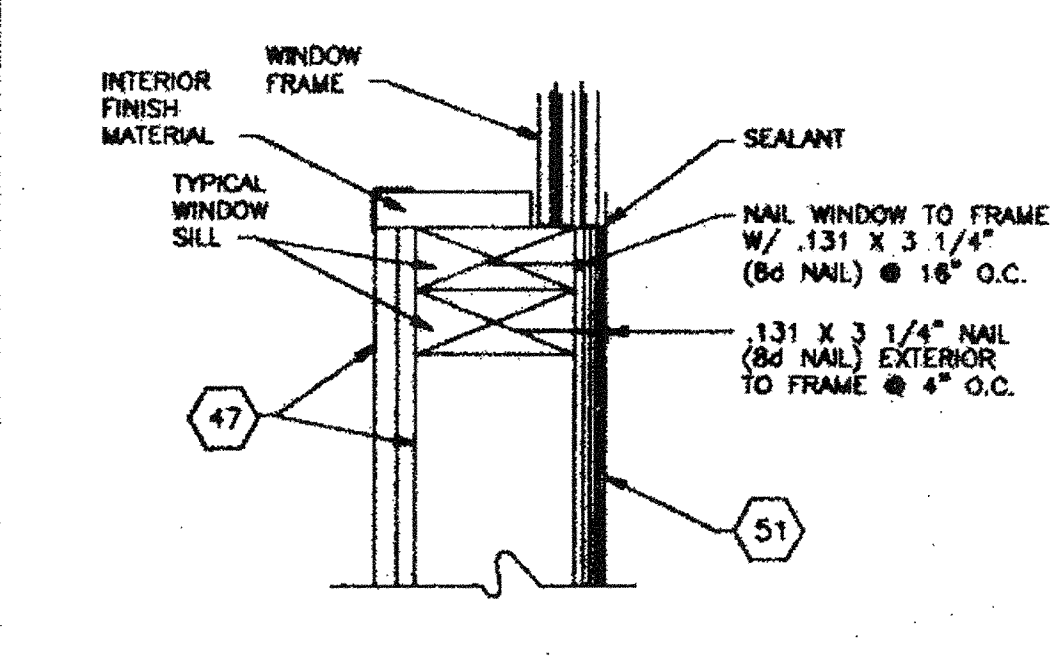
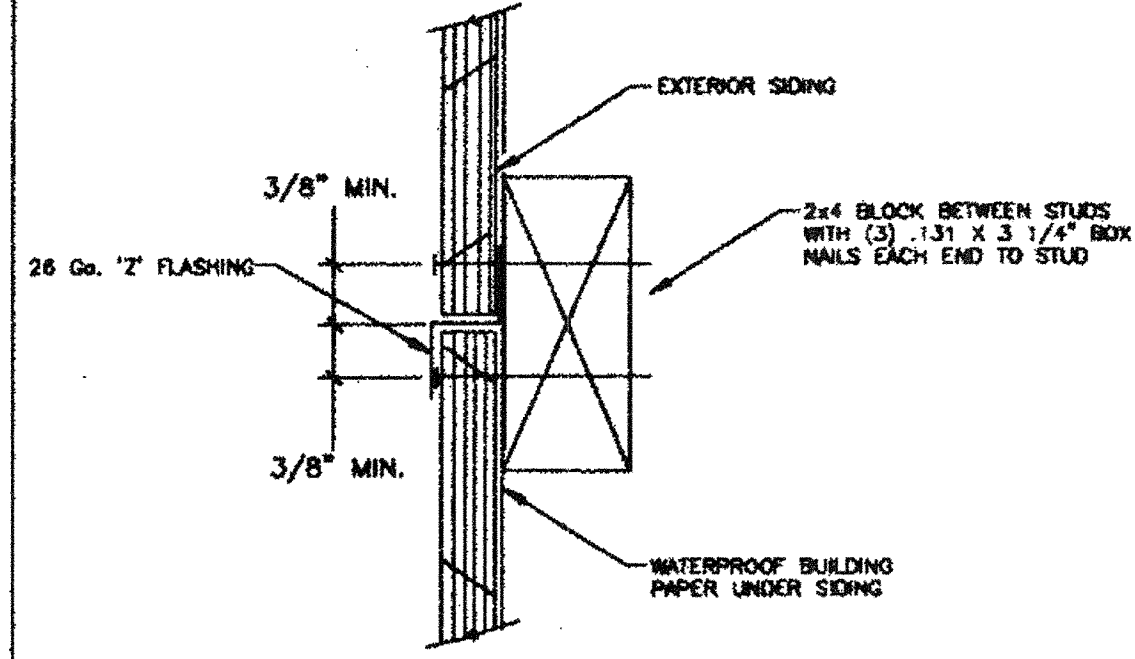
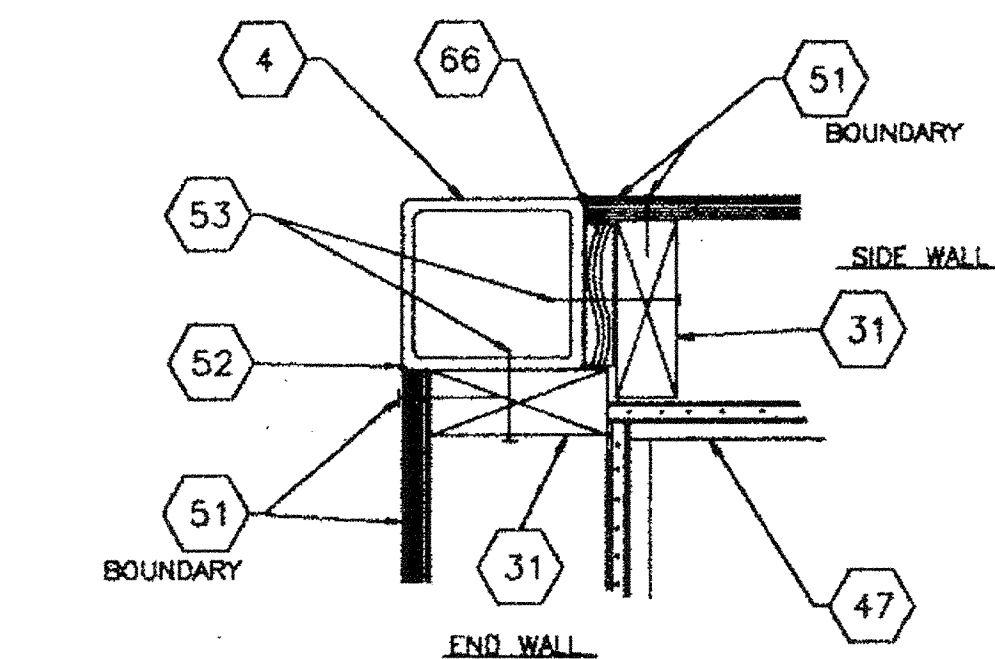
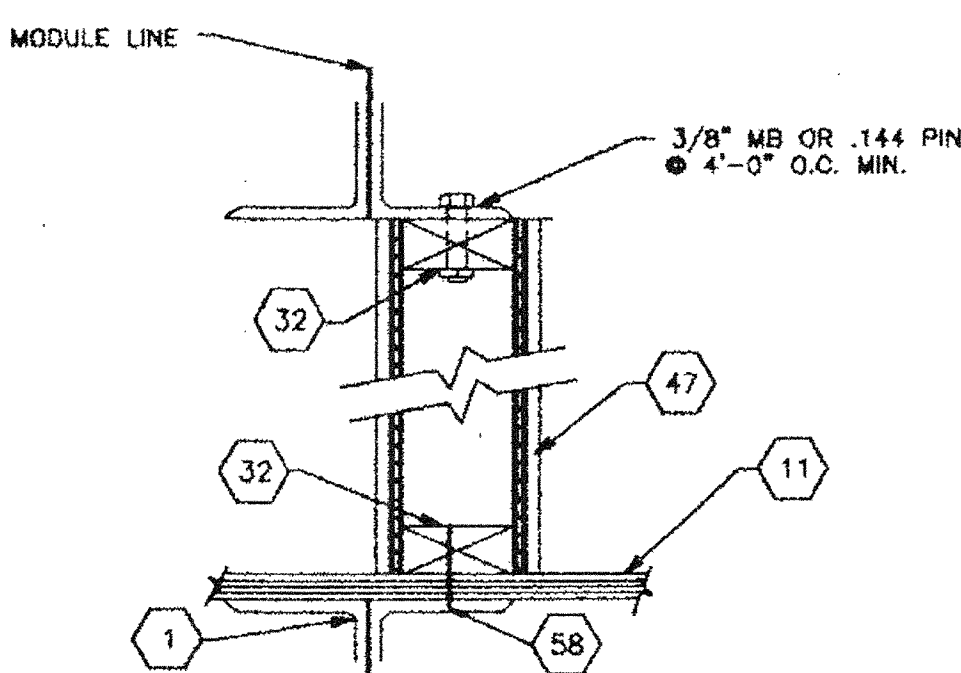


18 INTERIOR WALL ATTACHMENT

13 INTERIOR WALL ATTACHMENT

8 A/C SIDE BRACKETS

3 THRESHOLD

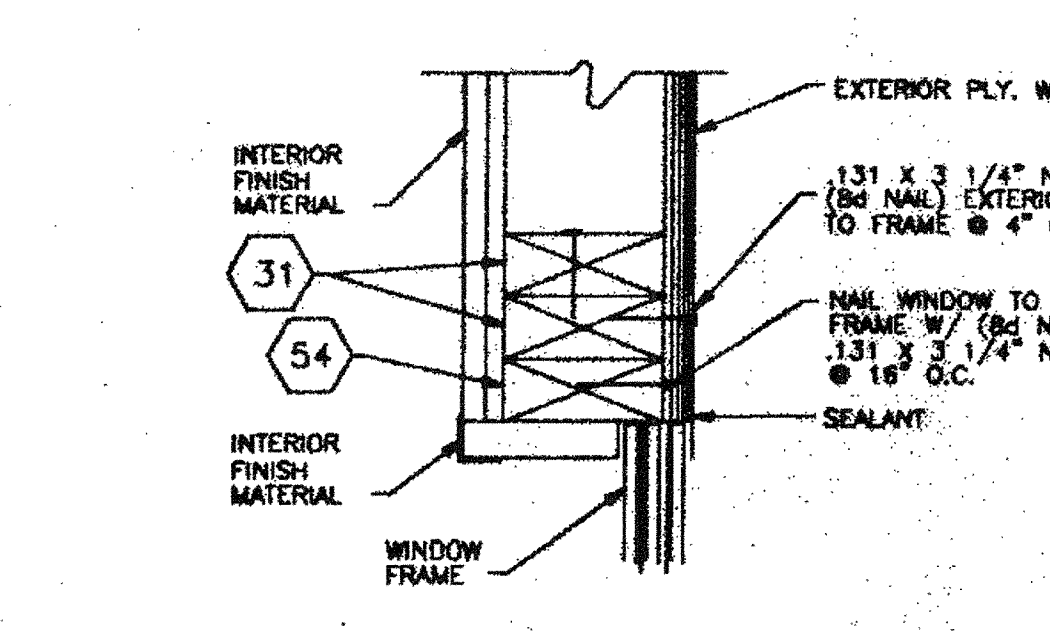
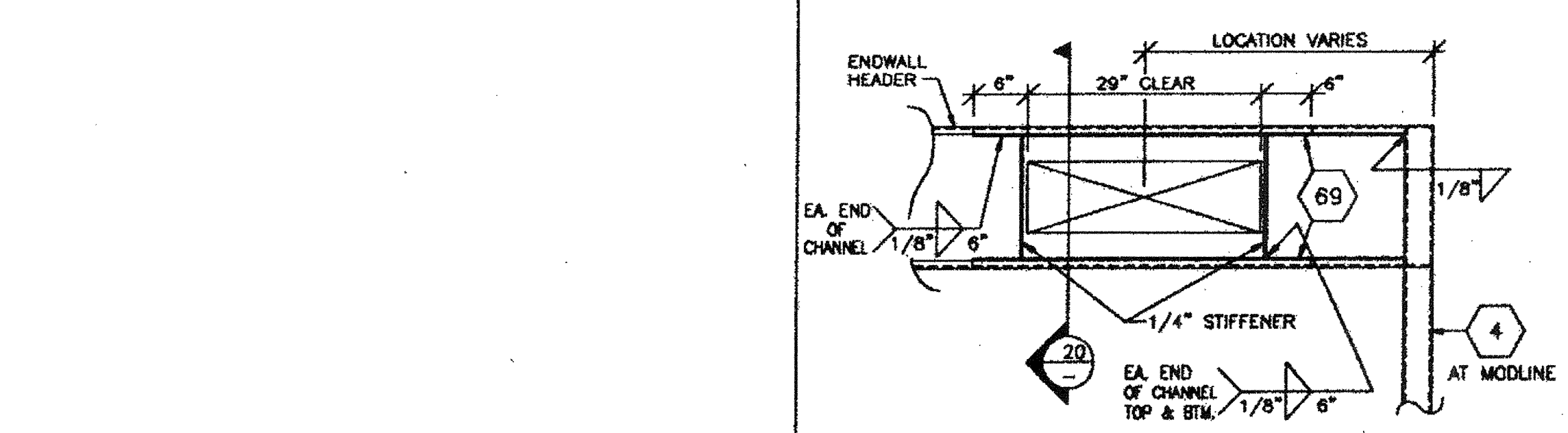
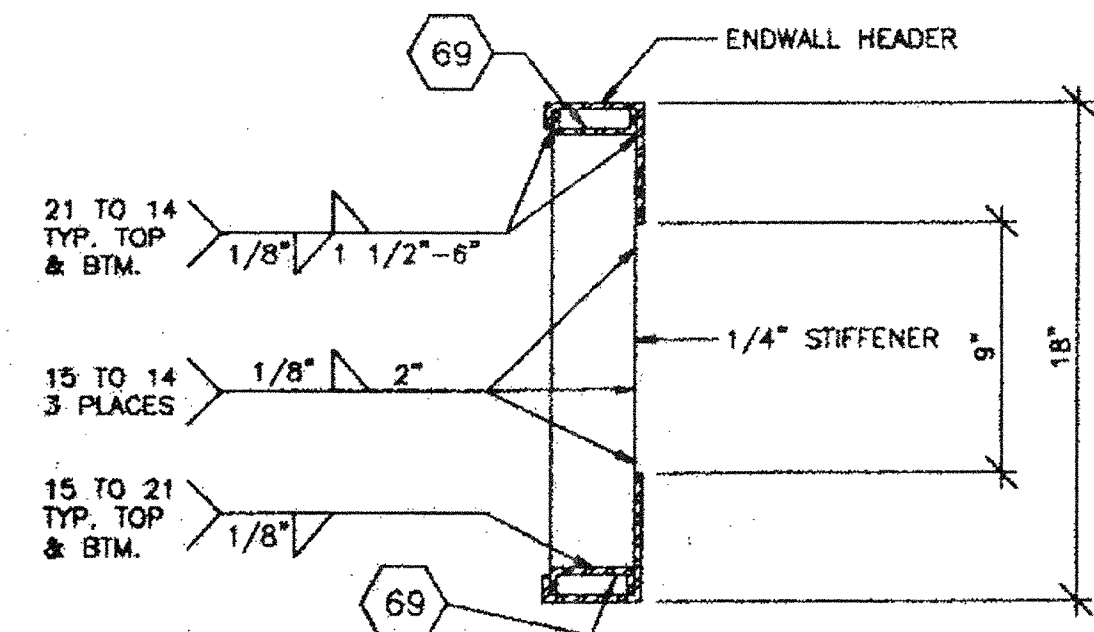


19 INT. WALL ATTACH @ MOD LINE

14 COLUMN AT CORNER

9 PANEL SPLICE

4 WINDOW SILL



20 A/C OPENING IN HEADER

15

10 A/C OPENING IN HEADER

5 WINDOW JAMB

THIS DRAWING AND THE MATERIAL CONTAINED THEREIN ARE THE PROPERTY OF M.S.I. INC. AND SHALL NOT BE REPRODUCED, COPIED, OR TRANSMITTED IN ANY FORM OR BY ANY MEANS, ELECTRONIC OR MECHANICAL, INCLUDING PHOTOCOPYING, RECORDING, OR BY ANY INFORMATION STORAGE AND RETRIEVAL SYSTEM, WITHOUT THE WRITTEN PERMISSION OF M.S.I. INC. THE USER OF THIS DRAWING SHALL BE RESPONSIBLE FOR OBTAINING ALL NECESSARY PERMITS AND APPROVALS FROM THE APPROPRIATE AGENCIES AND AUTHORITIES. M.S.I. INC. SHALL BE THE PROPERTY OF M.S.I. INC. AND SHALL BE THE PROPERTY OF M.S.I. INC.

ARCHITECT APPROVAL

STRUCTURAL ENGINEERS STAMP

STATE AGENCY APPROVAL

STATE AGENCY APPROVAL

STATE AGENCY APPROVAL

STATE AGENCY APPROVAL

STATE AGENCY APPROVAL

STATE AGENCY APPROVAL

STATE AGENCY APPROVAL

STATE AGENCY APPROVAL

MSI
MODULAR STRUCTURES INTERNATIONAL, INC.
17108 VON KAMLAN, SUITE # 108
TOLSON, CALIFORNIA 92060
PHONE: (951) 788-3038 FAX: (951) 788-1083

REGENCY ENGINEERING & CONSULTING GROUP
17108 VON KAMLAN, SUITE # 108
TOLSON, CALIFORNIA 92060
TELEPHONE: (714) 283-3799
FAX: (714) 283-3765
A SUBSIDIARY OF REGENCY COMPANY, INC.

PROJECT
24'X40', 36'X40', & 48'X40'
MODULAR CLASSROOM BUILDING

TITLE
GENERAL INTERIOR AND EXTERIOR
WALL CONSTRUCTION DETAILS

JOB # 96-1310
DATE 12/9/96
DRAWN BY B.N.
SCALE NONE
APPROVED
REVISIONS
2/4/97
4/15/97 MDT
4/25/97 MSI REV.
PLOT DATE: 04/28/97
SHEET NO. S-30