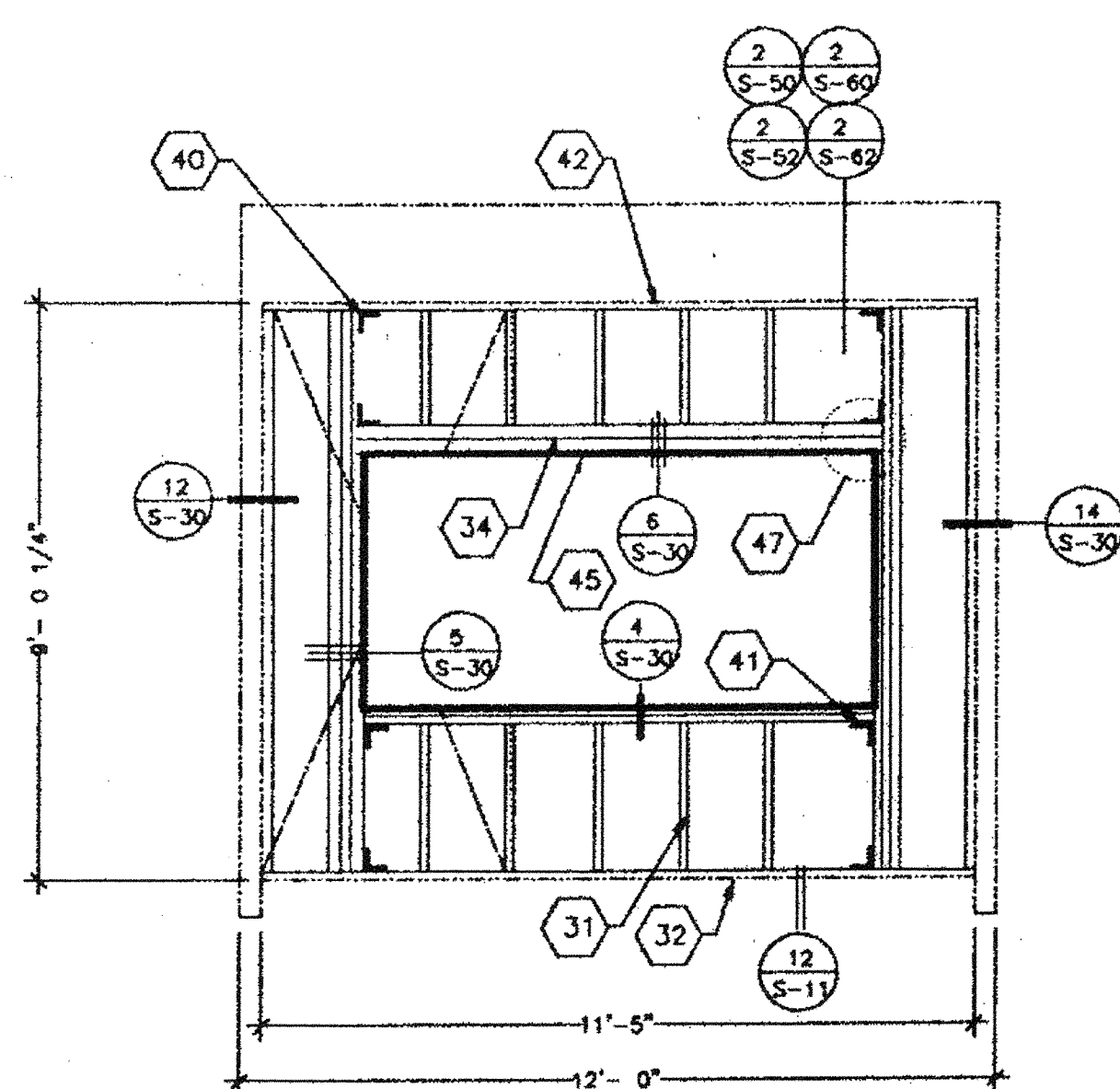
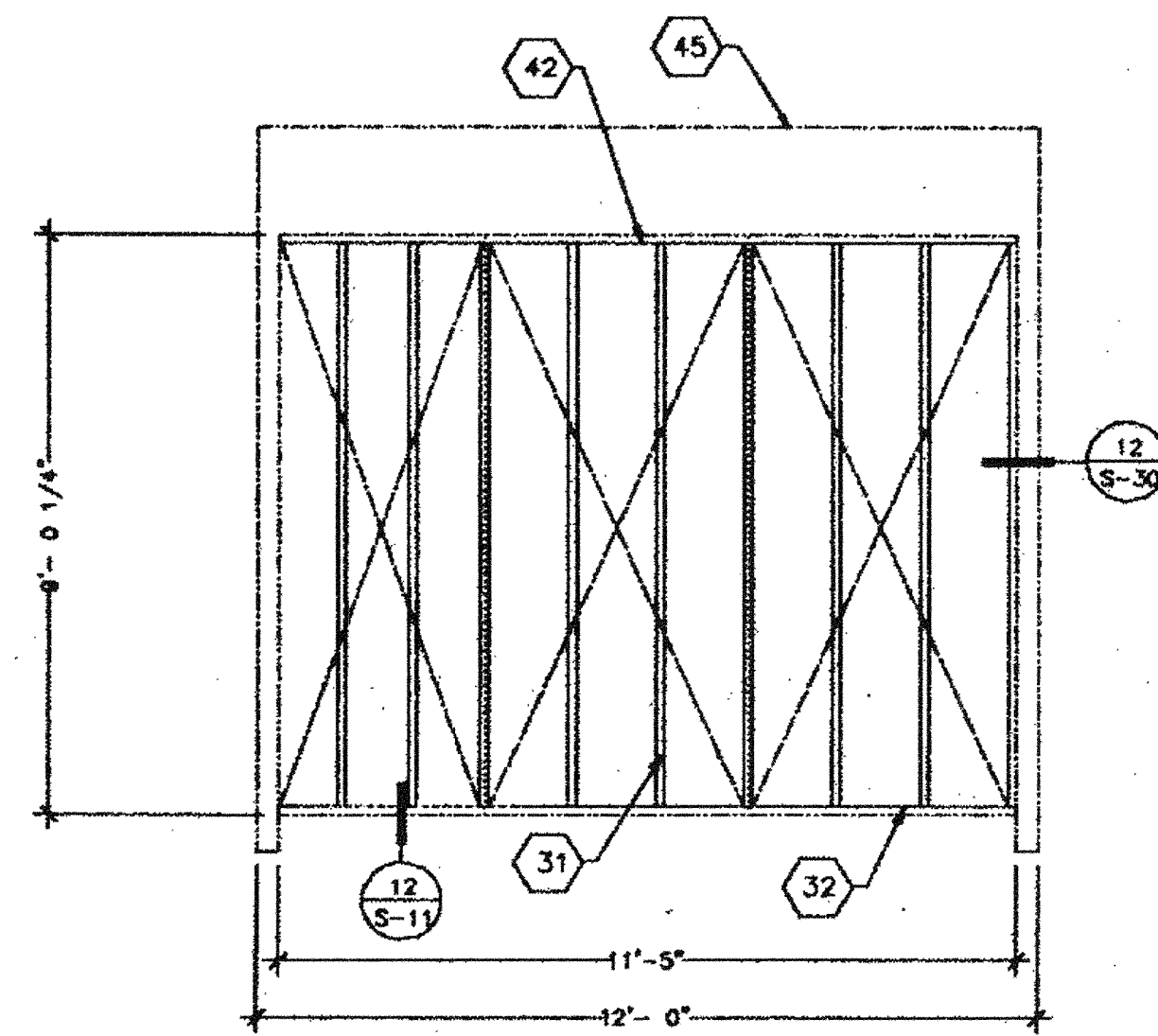
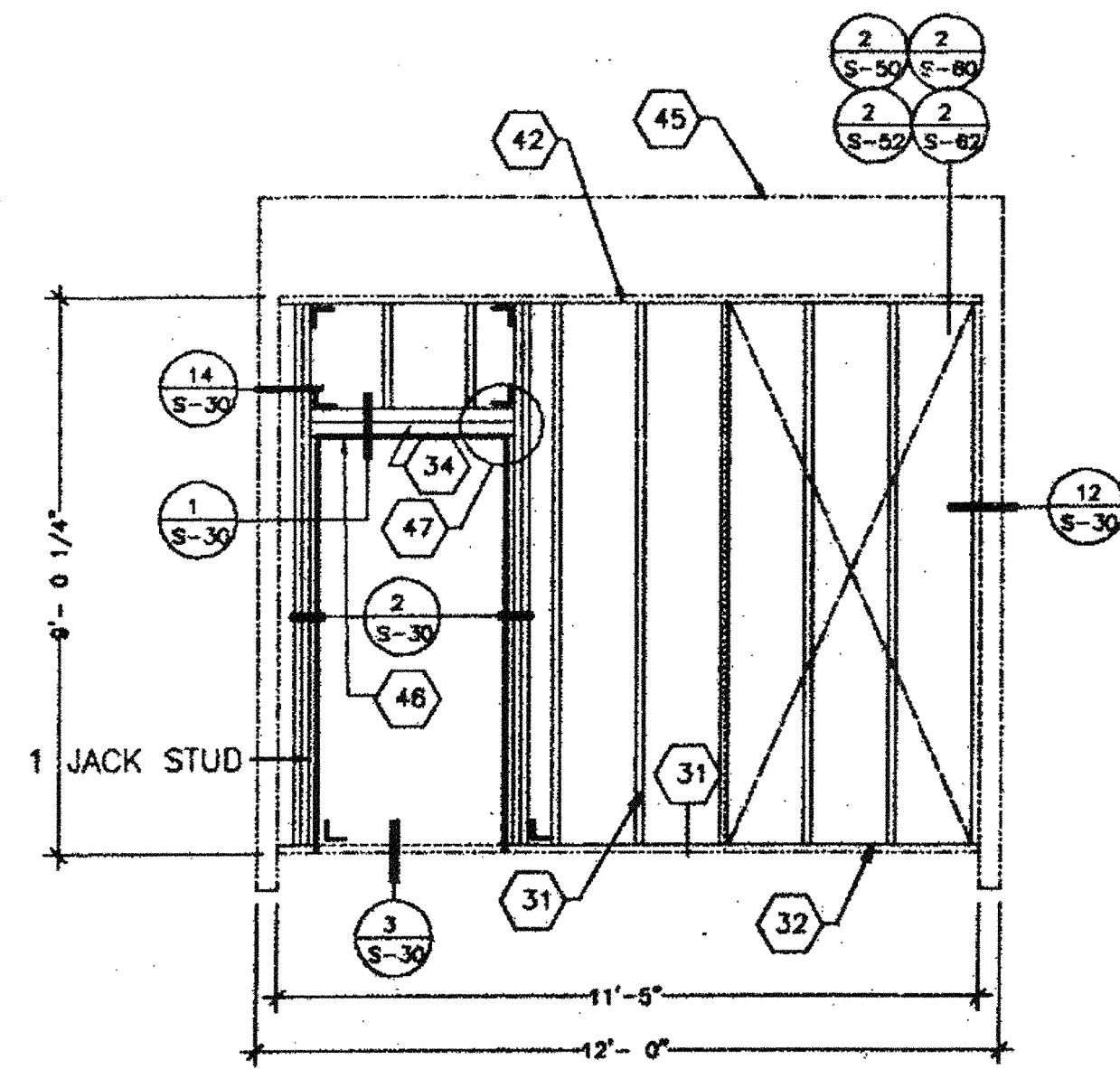


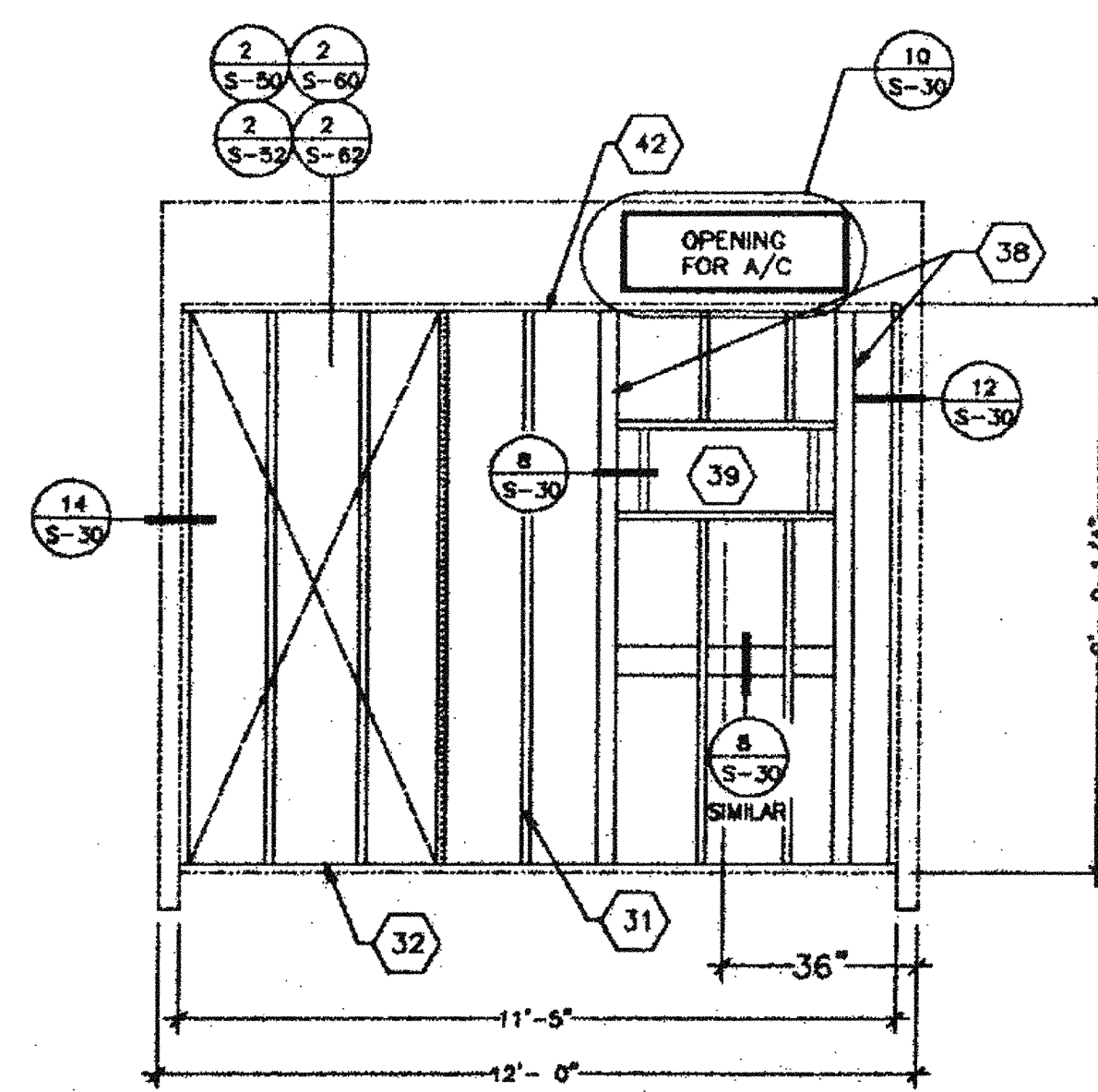
NOTE:  
DOORS AND WINDOWS MAY BE INSTALLED  
IN SIDEWALL AT ANY POINT IN ANY  
COMBINATION.



1 TYPICAL ENDWALL WITH WINDOW



2 TYPICAL ENDWALL WITH DOOR



3 TYPICAL ENDWALL WITH A/C

KEYNOTES

- 10 STEEL FLOOR JOIST- SEE SHEET S-11
- 31 STUDS- 2x4 H.F. STUD GRADE @ 16" O.C.
- 32 TOP AND BOTTOM PLATE- 2x4 H.F. STD & BETTER.
- 34 WINDOW HEADER- (2) 2x4 H.F. #2 FLAT.
- 35 FRAME FOR 8'-0"x 4'-0" WINDOW: USE (3) FULL HEIGHT HEM FIR 2x4 STUDS WITH (1) 2x4 TRIMMER BOTH SIDES AND (2) 2x4 FLAT FOR WINDOW SILL.
- 36 FRAME FOR 3'-0"x 6'-8" OR 7'-0" DOOR. USE (2) FULL HEIGHT 2x4 JAMB STUDS WITH (1) 2x4 TRIMMER BOTH SIDES, & (2) 2x4 FOR HEADER.
- 37 NAIL THRU VERTICAL STUD INTO HORIZONTAL HEAD OR SILL WITH MIN. (4) .131 X 3 1/4" NAILS PER CONNECTION. TYPICAL AT CORNERS OF ALL OPENINGS.
- 38 4x4 H.F. #2 POST
- 39 SEE SHEET G-1 FOR A/C SIZE AND TONAGE.
- 40 TYPICAL 'SIMPSON' A35 CLIPS (4) PLACES TO TOP AND BOTTOM PLATES.
- 41 TYPICAL 'SIMPSON' A35 CLIPS (4) PLACES TO WINDOW SILL AND HEADER OR (2) PLACES TO DOOR HEADER.
- 42 2x4 PLATE- H.F. STD, GRD. OR BETTER.
- 43 FIRE BLOCKING. SEE SECTION 708 OF 1994 C.B.C.
- 44 ROOF SHEATHING. SEE ROOF SECTION
- 45 R-19 FIBERGLASS INSULATION.
- 46 SUSPENDED CEILING
- 47 TYPICAL INTERIOR FINISH- SEE SHEET G-1
- 48 R-11 FIBERGLASS INSULATION.
- 49 PLYWOOD FLOOR SHEATHING- SEE SHEET S-11
- 51 PLYWOOD SIDING/SHEATHING- SEE SHEET G-1 FOR MATERIAL. NAIL SIDING WITH CORROSION RESISTANT 8d NAILS @ 8" BOUNDARY & EDGES, 12" FIELD.
- 71 STEEL ROOF JOIST- SEE SHEET S-40

THIS DRAWING AND THE MATERIAL CONTAINED THEREIN ARE THE PROPERTY OF M.S.I. INC. AND SHALL NOT BE REPRODUCED OR IN ANY MANNER OR IN WHOLE OR IN PART TO ASSIST IN THE MAKING OF ANY OTHER DRAWING, PRINTS, APPARATUS OR PARTS THEREOF WITHOUT THE FULL KNOWLEDGE AND WRITTEN PERMISSION OF M.S.I. INC. MATERIAL CONTAINED HEREIN AND ORIGINATING WITH M.S.I. INC. SHALL BE THE PROPERTY OF M.S.I. INC. M.S.I. INC. SHALL BE THE PROPERTY OF M.S.I. INC.

ARCHITECT APPROVAL  
STRUCTURAL ENGINEERS STAMP  
REGISTRY ENGINEERING & CONSULTING GROUP  
IRVINE, CA 92714  
TELEPHONE: (714) 965-8789  
FAX: (714) 268-8795  
A SUBSIDIARY OF REGENCY COMPANY, INC.

MSI  
MODULAR STRUCTURES INTERNATIONAL, INC.  
180 CHINA AVE. IRVINE, CALIF. 92714  
PHONE: (714) 768-3333 FAX: (714) 768-1053

STATE AGENCY APPROVAL  
PROJECT  
24'X40', 36'X40' & 48'X40'  
MODULAR CLASSROOM BUILDING

TITLE  
TYPICAL EXTERIOR WALL  
CONSTRUCTION FOR SINGLE  
OR DOUBLE ROOF PITCH

JUN 20 2016  
JOB # 96-1310  
DATE 12/9/96  
DRAWN BY B.N.  
SCALE NONE  
APPROVED  
REVISIONS  
2/4/97  
4/15/97 MDT  
4/25/97 MSI REV.

STATE AGENCY APPROVAL  
APR 29 1997  
PLOT DATE: 04/28/97  
SHEET NO.  
S-20