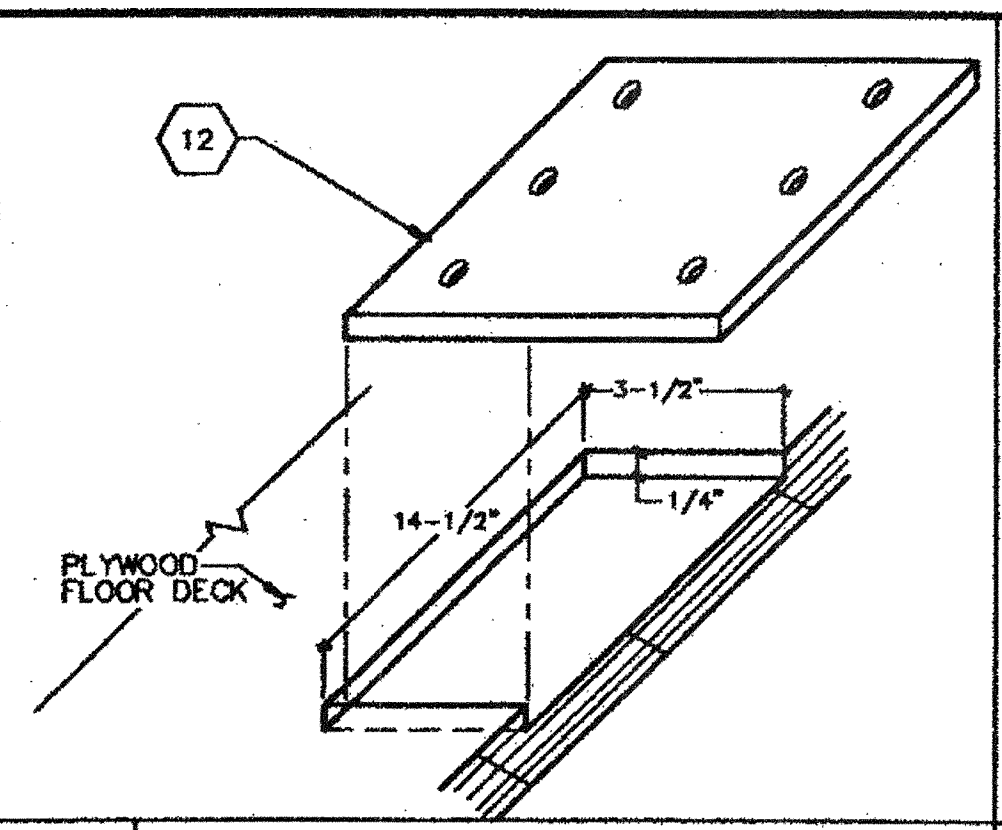
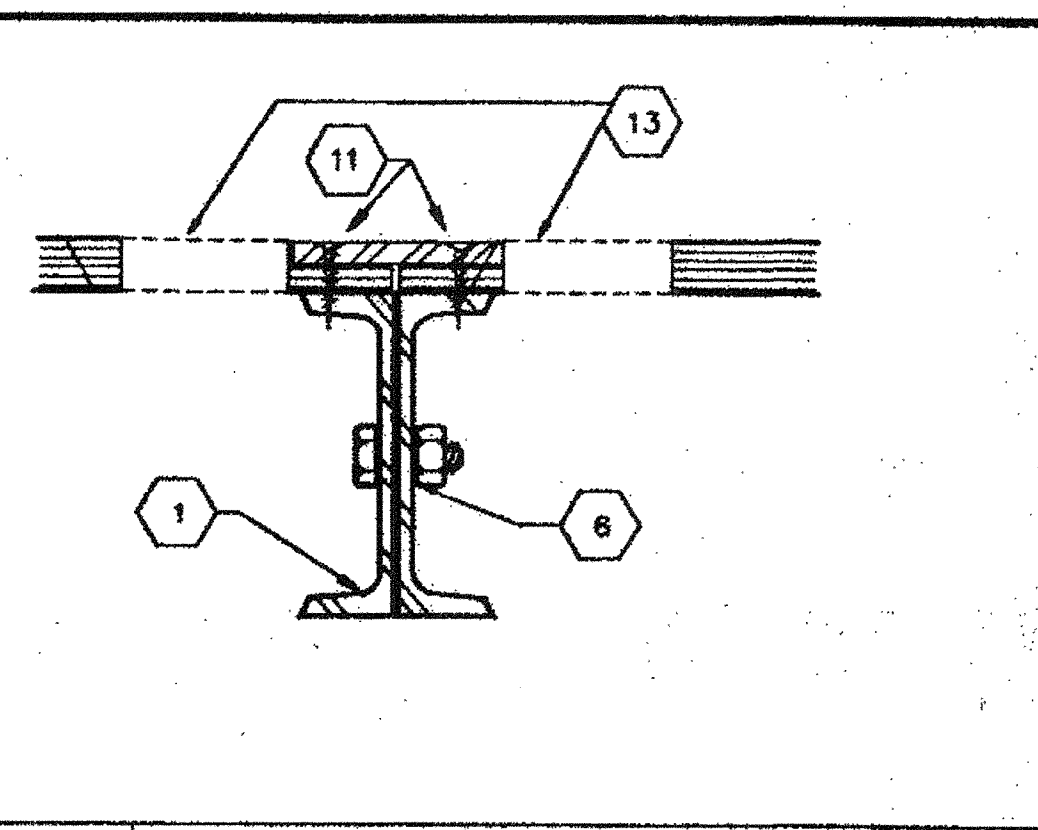


12 PERIMETER FLOOR

8



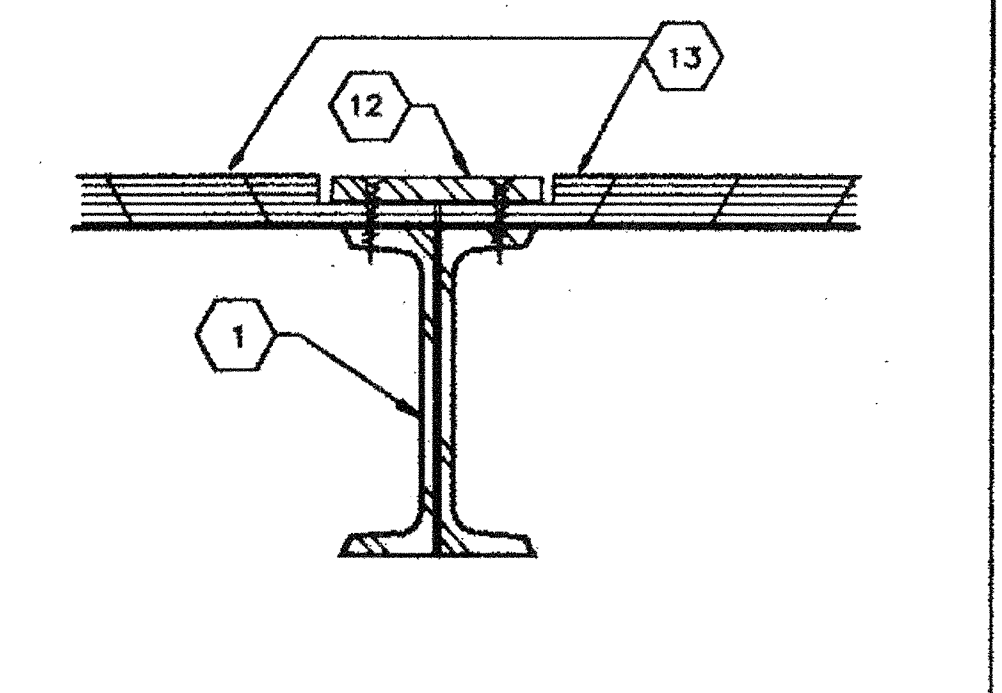
5 MOD LINE CONN. PLATE TYPE II



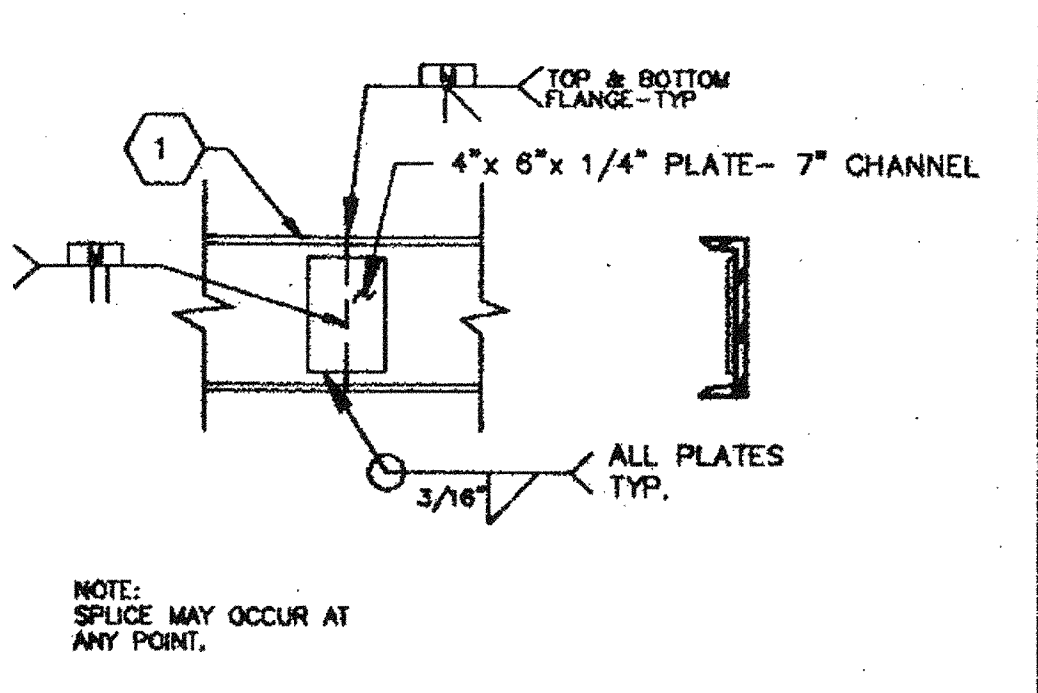
1 MOD CONN. @ FLR. TYPE I.

13

9



6 MOD CONN. @ FLR. TYPE II.

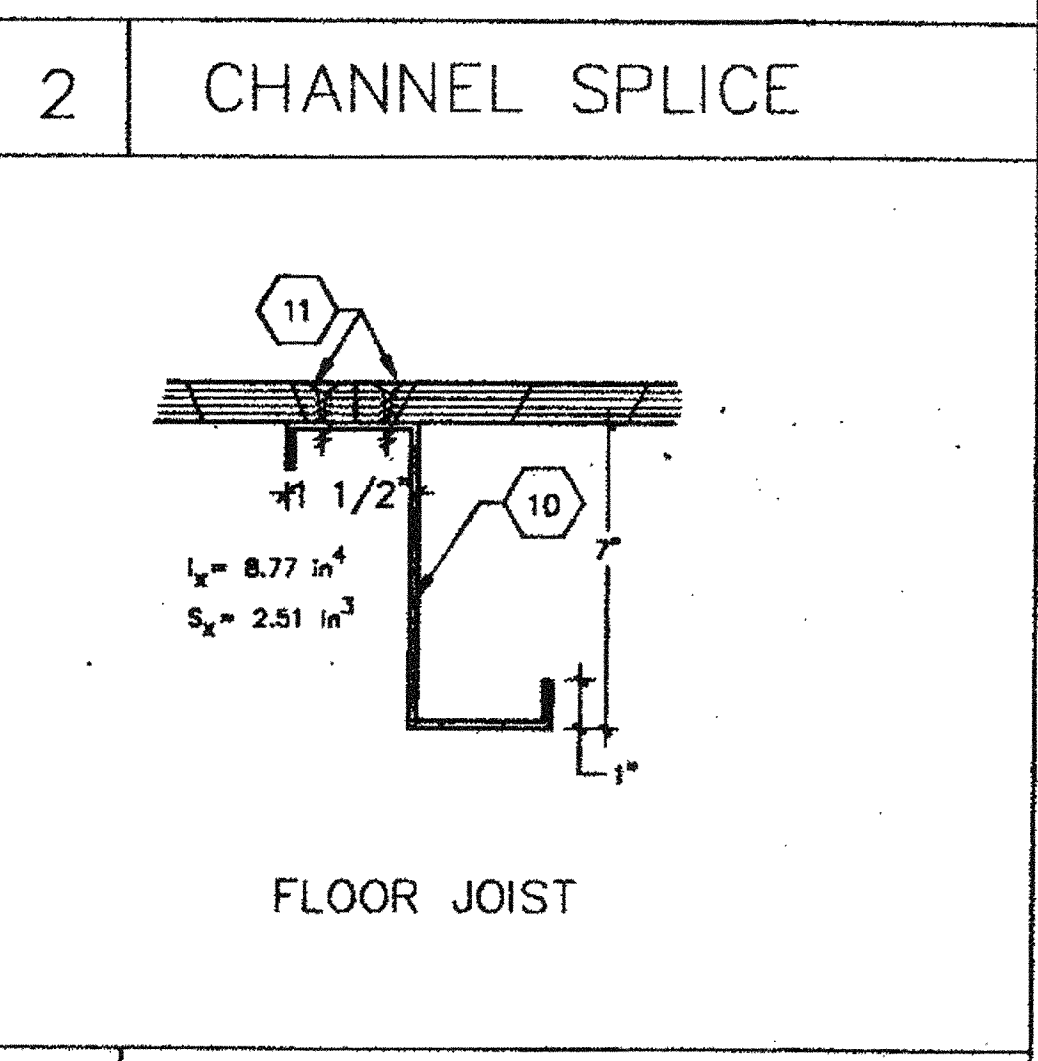


2 CHANNEL SPLICE

10

10

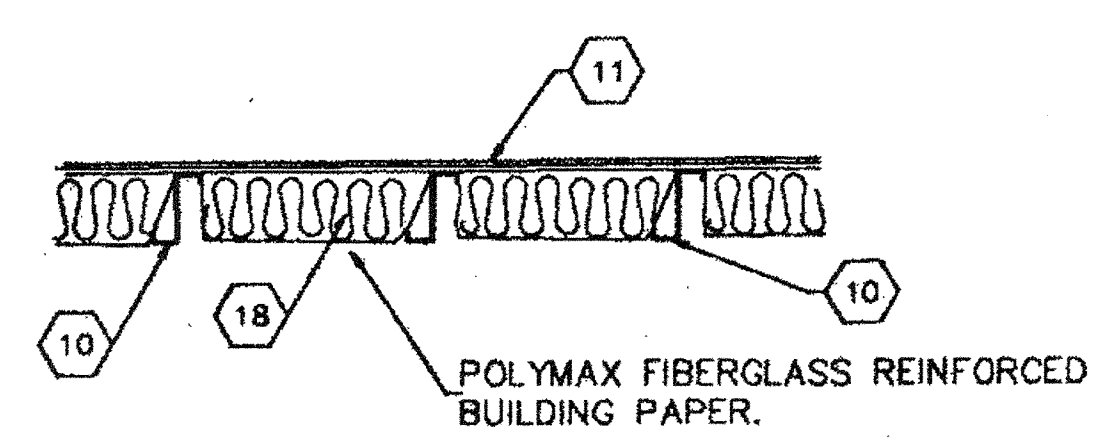
6 MOD CONN. @ FLR. TYPE II.



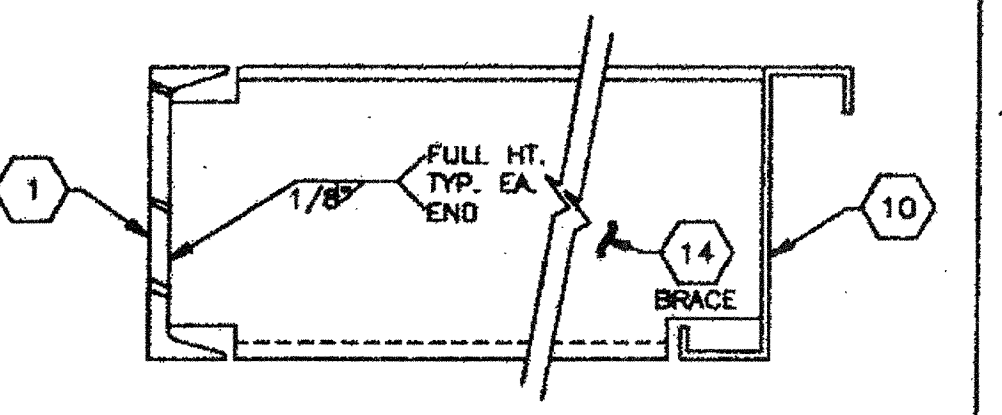
3 TYPICAL JOISTS

15 INSULATION @ FLOOR

11

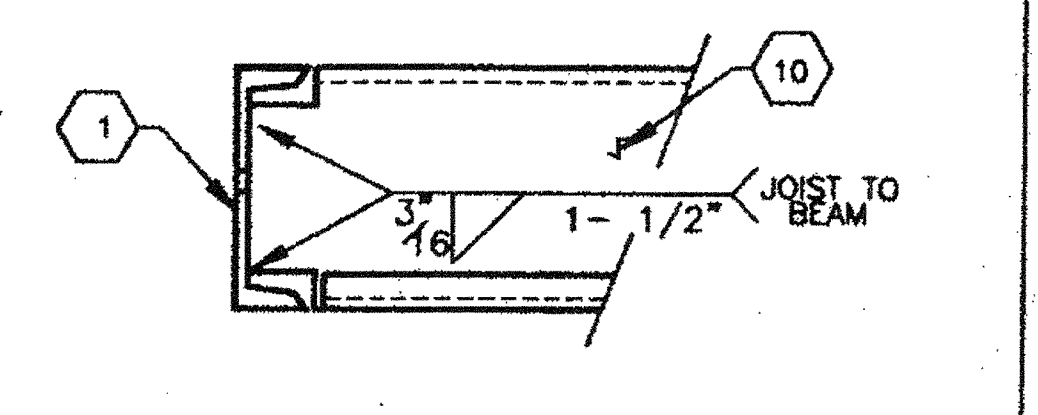


11 BRACE AT FLOOR



4 FLOOR JOIST DETS.

7



KEYNOTES

- NOTES
- [ 7"x 9.8 lb PERIMETER FLOOR FRAME
  - 5/8" MACHINE BOLT @ MODULE CONNECTION LOCATIONS AT 8 FT. O.C. AT ROOF AND 10 FT. O.C. AT FLOOR
  - 2 7" X 11 GA. FLOOR JOIST
  - FLOOR SHEATHING-- 1-1/8" APA RATED STURD-I-FLOOR OR EQUAL, P.S. 1-83 T & G EDGES, 48" SPAN RATING; ATTACH TO STEEL FRAMING WITH 170/192 PH OR #10-24 X 1 3/4 SELF TAP SCREW @ 8" O.C. BOUNDARY & EDGES AND 10" O.C. FIELD
  - 8" X 14" X 12 GA. PLATE WITH (6) #10-34 X 1 3/4 X 2-1/2" FLAT HEAD SELF TAP SCREWS INTO STEEL CHANNEL FLOOR FRAME (TYPE II)
  - 5" DIA. HOLE AT BOLT LOCATION. (CONN. TYPE I)
  - 7" X 11 GA. STEEL BRACE WELDED TO PERIMETER FRAME AND FLOOR JOIST.
  - N/A
  - N/A
  - AT MODULE JOINT TAKE PLYWOOD TO EDGE OF CHANNEL. AT PERIMETER, HOLD PLYWOOD BACK AS INDICATED.
  - R-11 INSULATION ON "SEAL TITE" TYPE HW POLYMAX UNDERBELLY OR EQUAL WITH BIDIRECTIONAL POLYESTER FIBERS.
  - 2X4 BOTTOM PLATE
  - .131 X 3 1/4# NAIL (8d NAIL) AT 8" O.C.

THIS DRAWING AND THE MATERIAL CONTAINED HEREIN ARE THE PROPERTY OF M.S.I. INC. AND SHALL NOT BE REPRODUCED, COPIED OR OTHERWISE DISPOSED OF IN WHOLE OR IN PART TO ASSIST IN THE MAKING OF OR FOR THE PURPOSE OF FURNISHING ANY INFORMATION OR PARTS THEREOF WITHOUT THE FULL KNOWLEDGE AND WRITTEN CONSENT OF M.S.I. INC. ALL PATENTABLE MATERIAL CONTAINED HEREIN AND ORIGINATING FROM M.S.I. INC. SHALL BE THE PROPERTY OF M.S.I. INC. M.S.I. INC. SHALL BE THE PROPERTY OF M.S.I. INC.

ARCHITECT APPROVAL

STRUCTURAL ENGINEERS STAMP

STATE AGENCY APPROVAL

STATE AGENCY APPROVAL

STATE AGENCY APPROVAL

STATE AGENCY APPROVAL

MSI  
MODULAR STRUCTURES INTERNATIONAL, INC.  
1800 OTTAWA AVE. WEST, OAKVILLE, ONTARIO, L6M 0B7  
PHONE: (416) 748-3038 FAX: (416) 748-1833

REGENCY ENGINEERING & CONSULTING GROUP  
17186 VON KARMAN, SUITE # 108  
VANCOUVER, BC V4N 1V8  
TELEPHONE: (604) 983-3799  
FAX: (604) 983-3795  
A SUBSIDIARY OF REGENCY COMPANY, INC.

PROJECT  
24'X40', 36'X40', & 48'X40'  
MODULAR CLASSROOM BUILDING

TITLE  
FLOOR CONSTRUCTION DETAILS

JOB # 96-1310  
DATE 12/9/96  
DRAWN BY B.N.  
SCALE NONE  
APPROVED

REVISIONS  
 1 2/4/97  
 2 4/25/97 MSI REV.  
 PLOT DATE: 04/28/97  
 SHEET NO.  
 S-11