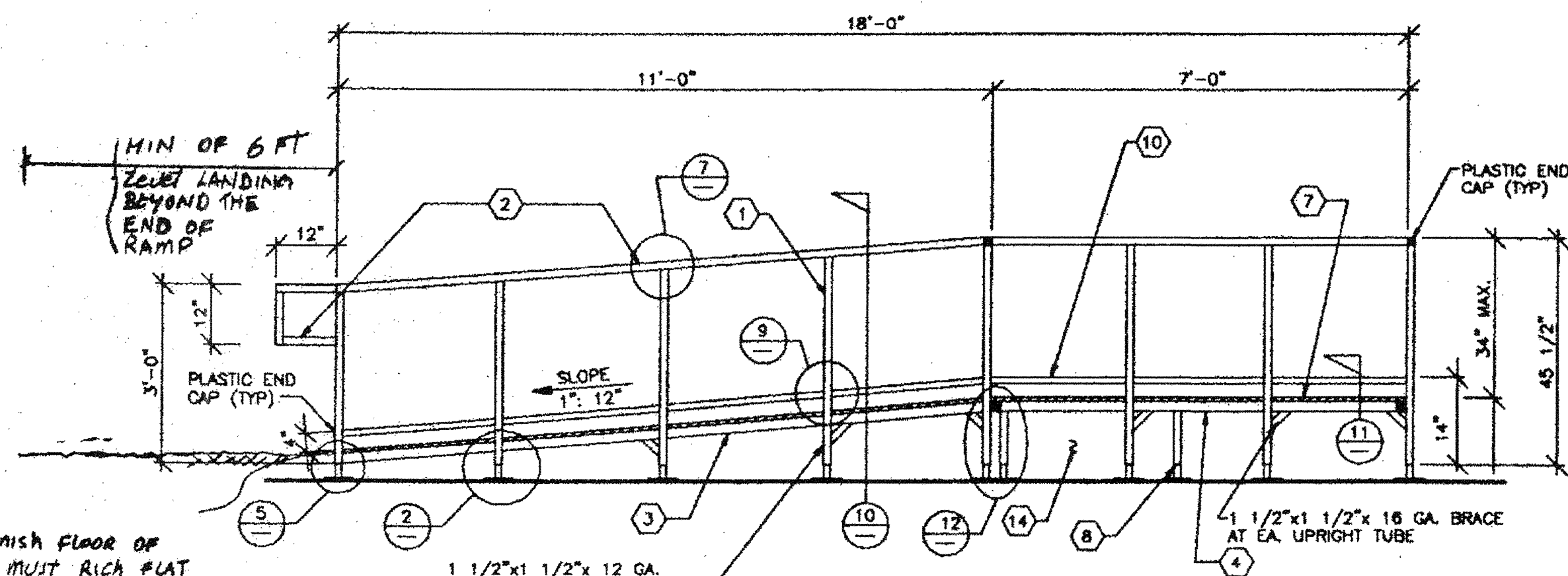
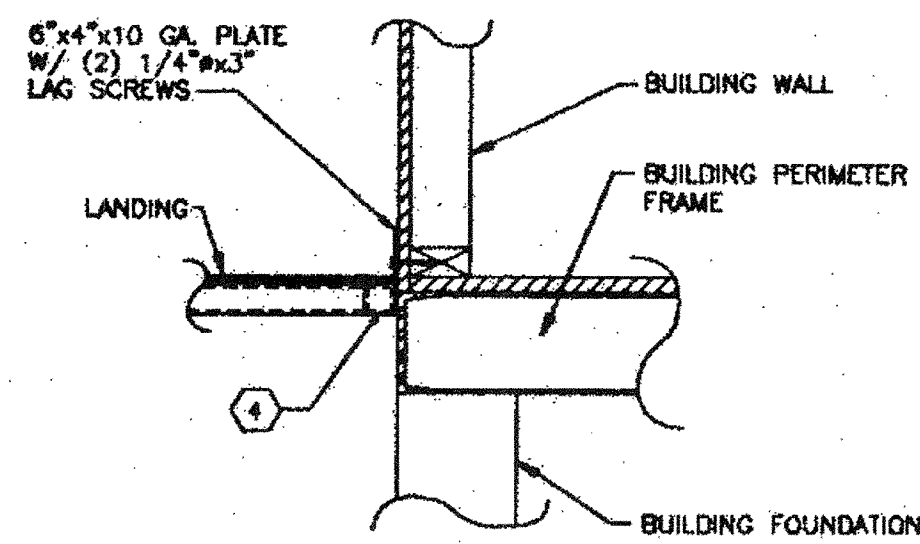


FRAMING PLAN
SCALE: 1/2" = 1'-0"

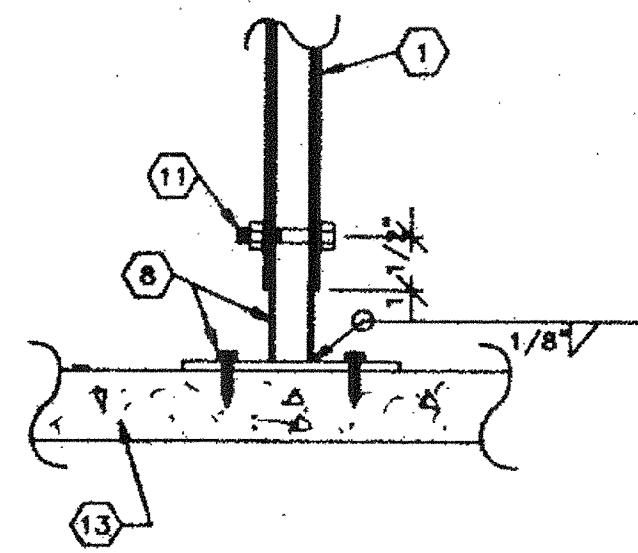


FRONT ELEVATION
SCALE: 1/2" = 1'-0"

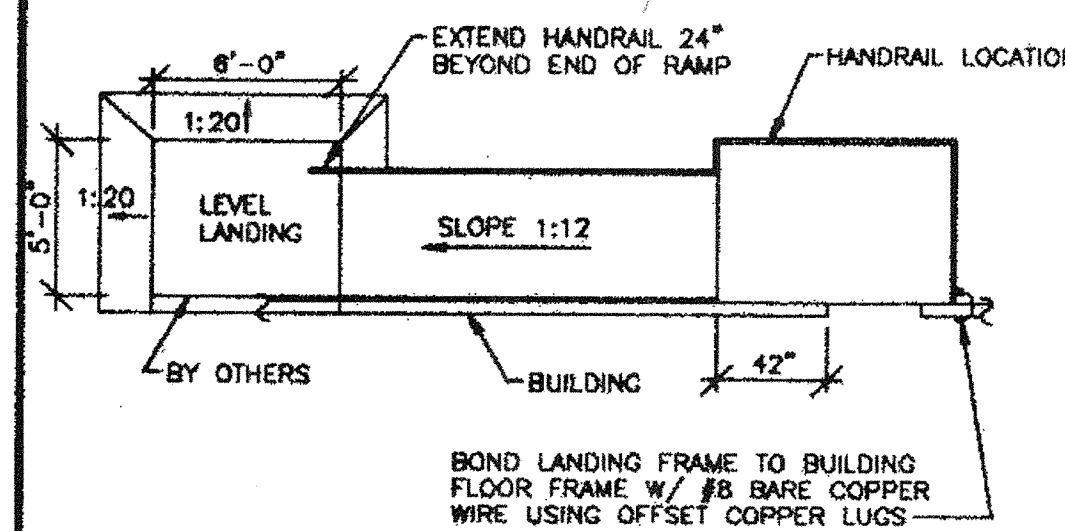
THE FINISH FLOOR OF RAMP MUST RISE FLAT SURFACE OF FINISH GRADE OF THE SITE SEE DETAIL 5 & DETAIL 3



LANDING TO BUILDING



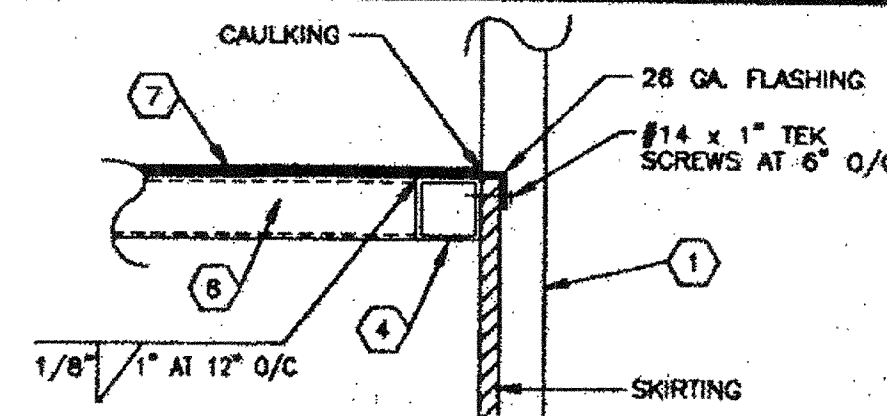
BASE



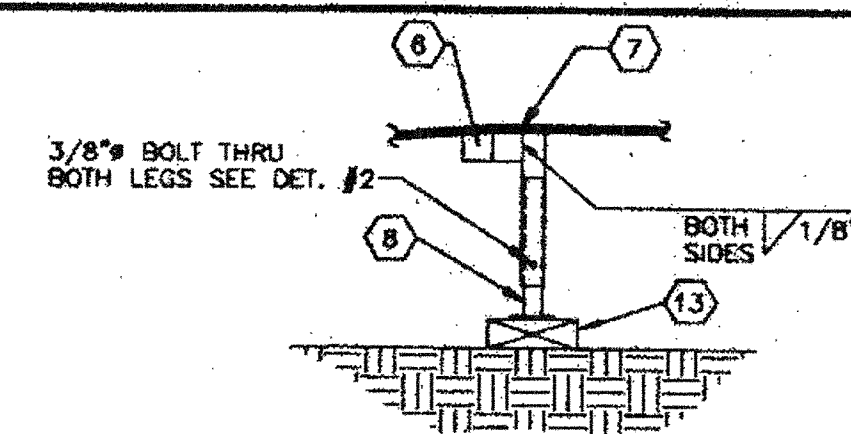
HANDRAIL LOCATIONS

KEY NOTES

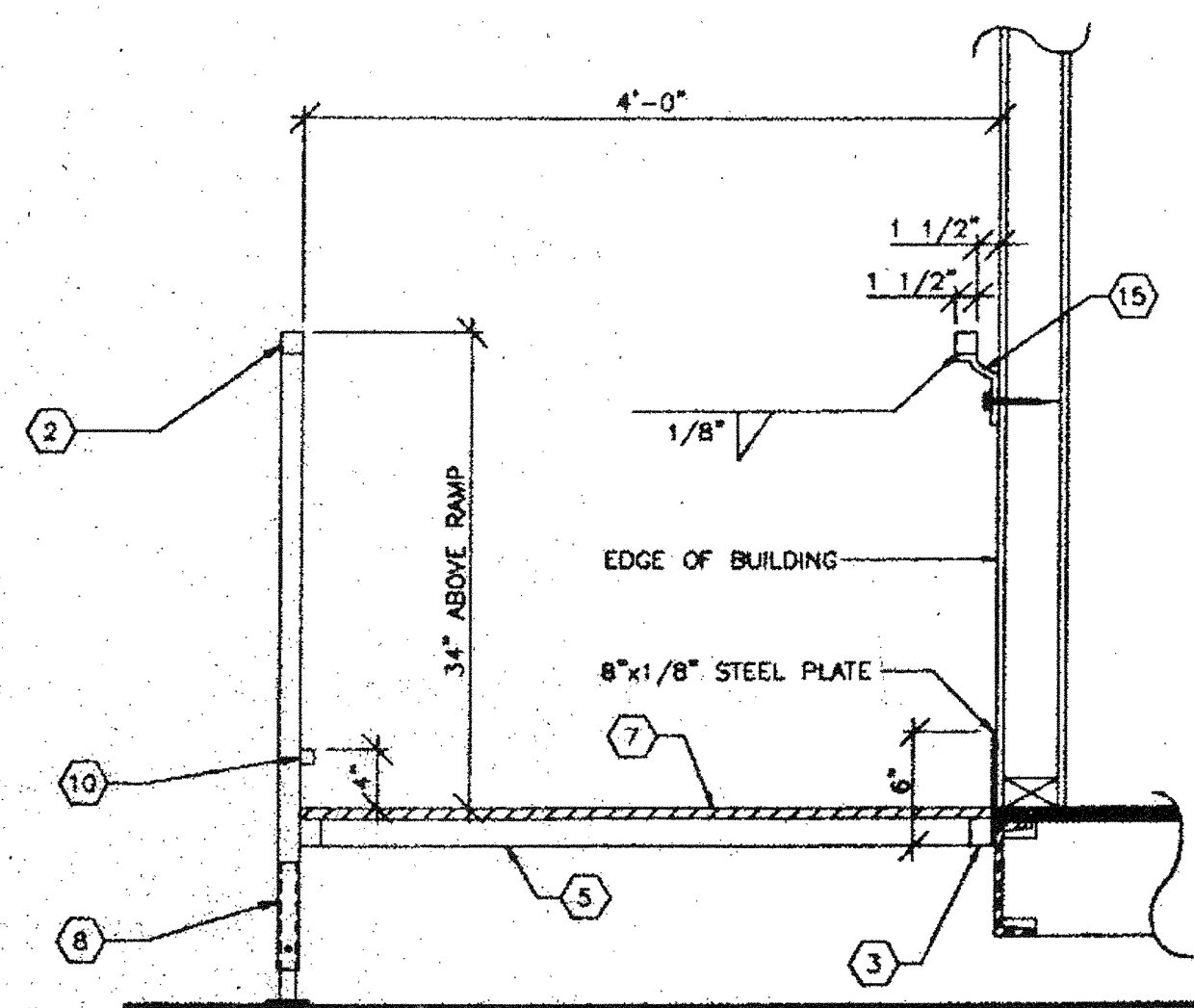
1. UPRIGHT TUBE - 1 1/2" x 1 1/2" x 12 GA. SQ. TUBE.
2. HANDRAIL TUBE - 1 1/2" x 1 1/2" x 16 GA. SQ. TUBE
3. RAMP PERIMETER TUBE - 1 1/2" x 1 1/2" x 16 GA. SQ. TUBE
4. LANDING PERIMETER TUBE - 2" x 2" x 16 GA. SQ. TUBE
5. RAMP CROSS TUBE - 1 1/2" x 1 1/2" x 16 GA. SQ. TUBE
6. LANDING CROSS TUBE - 2" x 2" x 16 GA. SQ. TUBE
7. 3/4" PLYWOOD DECK W/ NON SKID SURFACE (TUF TREAD OR EQUAL)
8. ADJUSTABLE LEGS - 1 1/4" x 1 1/4" 16 GA. SQ. TUBE W/ 3/8" x 1/4" THK. BASE PLATE WELDED TO LEG BASE PLATE TO HAVE (2) 5/16" HOLES FOR 1/4" LAG BOLTS.
9. SUPPORT PLATE - 1 1/4" x 1/8" THICK PLATE
10. WHEELCHAIR RAIL - 1" x 1" SQ. TUBE TACK WELDED TO UPRIGHT MEMBERS.
11. 3/8" DIA. MACHINE BOLTS.
12. 6"x10"x10GA. PLATE W/ (2) 1/4"x3" LAG SCREWS.
13. CONT. SILL PLATE 2x6 P.T.H.F.
14. SKIRTING - SAME AS BUILDING FINISH
15. HANDRAIL MOUNTING BRACKET W/ 3/8" x 4" LAG BOLT TO STUD OR BLOCK.
16. DRIVE 1" DIA. x 15" G.I. PIPE AT 10'-0" MAX. DRILL SILL PLATE 1 1/2" DIA. MAX. HOLE. PIPE MAY BE DRIVEN AT A MAX. OF 45° ANGLE W/ VERTICAL.
17. THE STRENGTH OF STEEL TUBES IS 46000 PSI OR HIGHER.



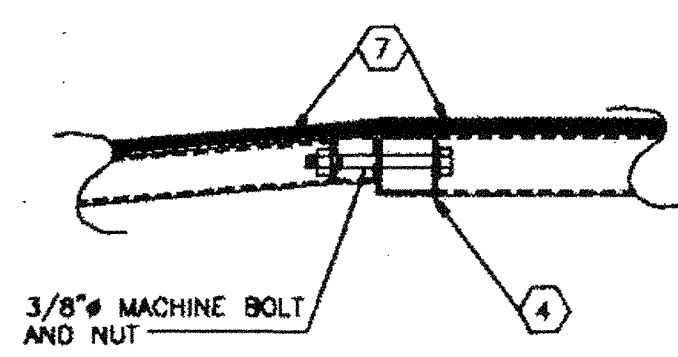
SKIRT FLASHING



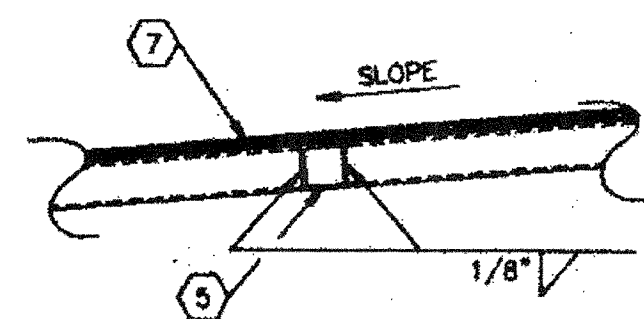
BASE LEG



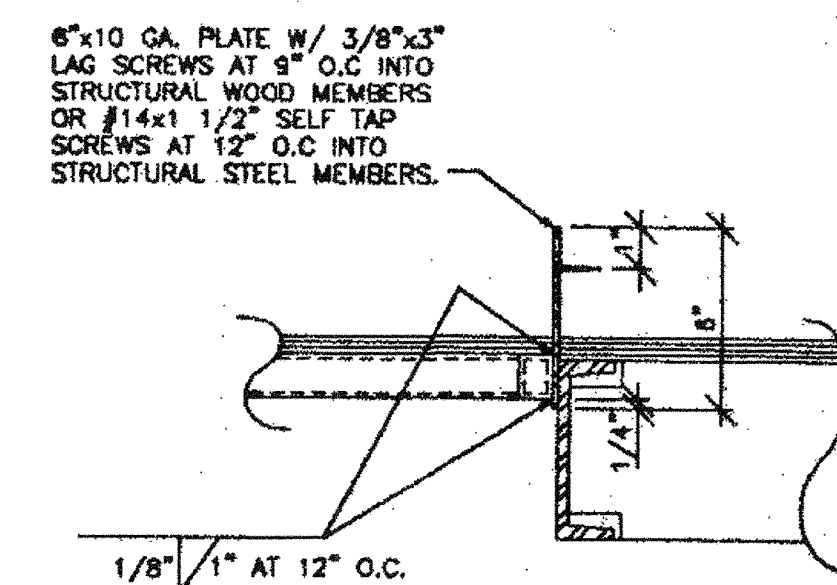
SECTION AT RAMP



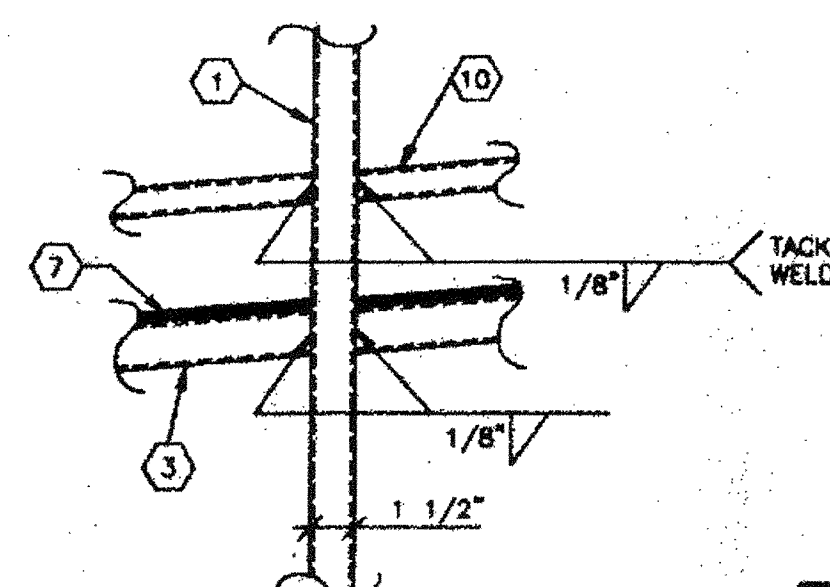
RAMP / LANDING TRANSITION



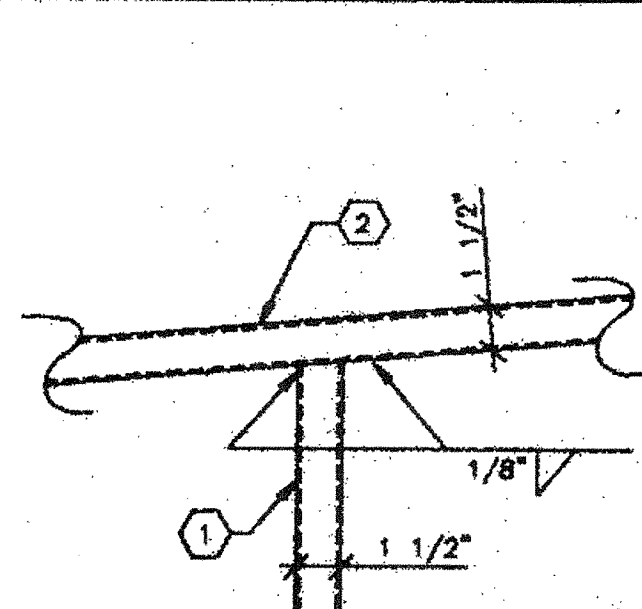
DECK & JOIST CONN.



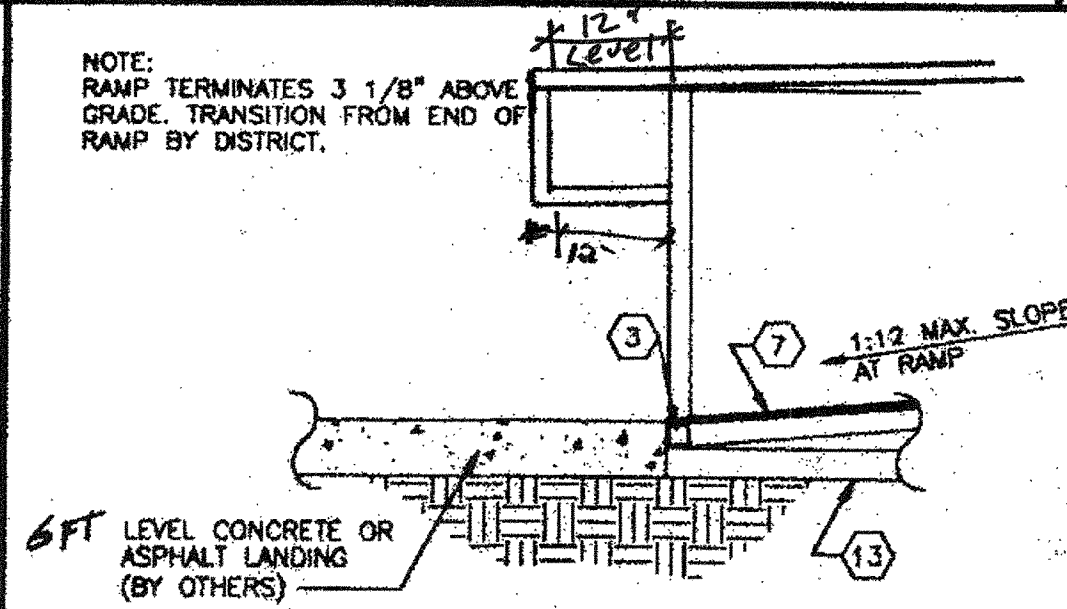
RAMP TO BUILDING



VERTICAL POST CONN.



POST TO HANDRAIL



CONC. LANDING TO RAMP

THIS DRAWING AND THE MATERIALS, CONDITIONS, THEREON, SHALL NOT BE REPRODUCED, COPIED, OR OTHERWISE DISPOSED OF IN WHOLE OR IN PART TO ASSIST IN THE MAKING OF OR FOR THE PURPOSE OF FURNISHING ANY INFORMATION OR PARTS THEREOF WITHOUT THE FULL KNOWLEDGE AND WRITTEN CONSENT OF M.S.I. INC. ALL PATENTABLE AND WRITABLE INVENTIONS OF M.S.I. INC. SHALL BE THE PROPERTY OF M.S.I. INC. AND NO PART THEREOF SHALL BE THE PROPERTY OF ANY OTHER PARTY. M.S.I. INC. SHALL BE THE PROPERTY OF M.S.I. INC.

ARCHITECT APPROVAL
STRUCTURAL ENGINEERS STAMP
STATE AGENCY APPROVAL

STATE AGENCY APPROVAL
PROJECT
24' X 40', 36' X 40', & 48' X 40'
MODULAR CLASSROOM BUILDING
TITLE
RAMP & LANDING PLANS & DETAILS

STATE AGENCY APPROVAL
JOB # 96-1310
DATE 12/9/96
DRAWN BY B.N.
SCALE NONE
APPROVED
REVISIONS

STATE AGENCY APPROVAL
APR 29 1997
PC-323

MSI
MODULAR STRUCTURES INTERNATIONAL, INC.
600 GRIFFIN AVE. RAYNES, CALIFORNIA 95207
PHONE: (909) 798-2000 FAX: (909) 798-1883

REGENCY ENGINEERING & CONSULTING GROUP
17606 VON KARMAN, SUITE # 108
IRVINE, CA 92714
TELEPHONE: (949) 261-3766
FAX: (949) 261-5100
A SUBSIDIARY OF REGISTRY COMPANY, INC.

SHEET NO.
R-3

PC-323