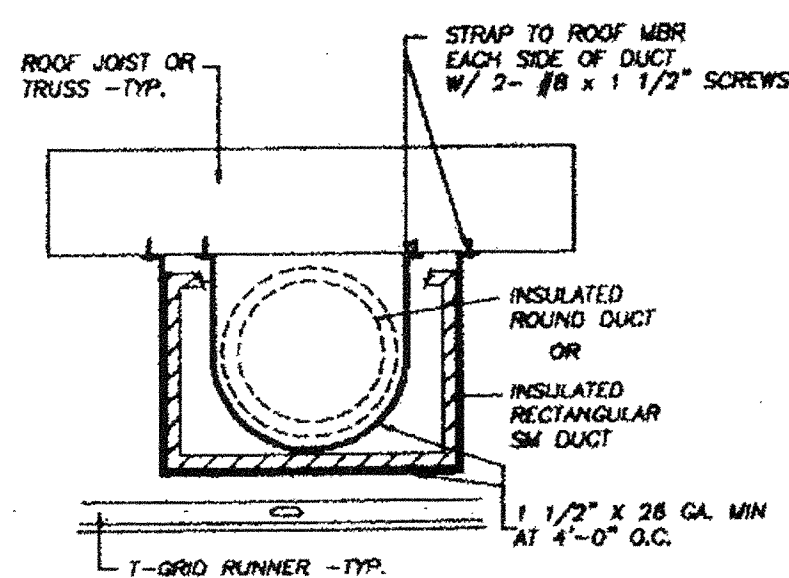
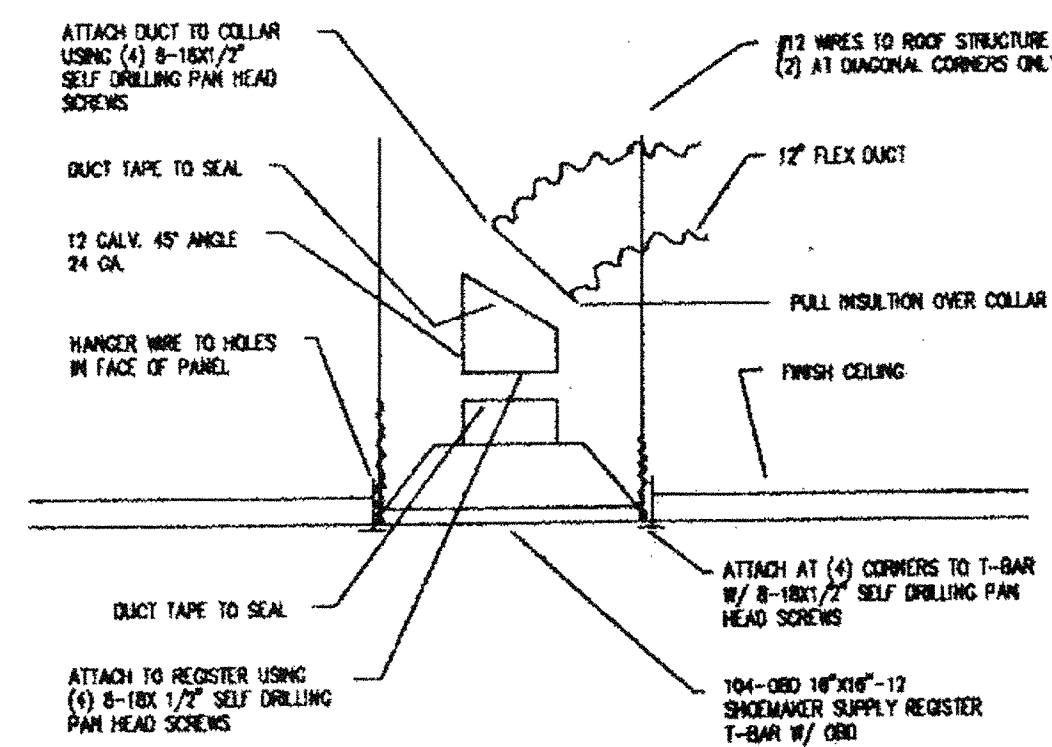


HVAC MOUNTING
 SCALE 3/8" = 1'-0"



DUCT MOUNTING
 SCALE 1" = 1'-0"



REGISTER BOX DETAIL
 NTS

EQUIPMENT & MATERIAL SCHEDULE

HP 1 HEAT PUMP 'BARD' WALLMOUNT, WH421-LA08YX4, OR EQUIV. 41,500 NOM. BTUH COOLING CAPACITY 41,000 NOM. BTUH HEATING CAPACITY FROM COMPRESSOR OR 27,300 NOM. BTUH HEATING CAPACITY FROM HEAT STRIP BUT NOT BOTH MCA 46, MOCP 50, 1500 CFM @ .3 ESP, UNIT WEIGHT 510 LB. 230 VOLT, 60 CYCLE, SINGLE PHASE

INTERIOR DUCTWORK- FLEX DUCT W/ 1" INSULATION- CLASS I U.L.-181

LEGEND

- Ⓢ THERMOSTAT - WHITE ROGERS 1F92-71 MOUNT AT +48" A.F.F.
- ⊠ 16"x16" LAY-IN, 4-WAY OPPOSED BLADE SUPPLY AIR DIFFUSER (750 CFM)

MECHANICAL NOTES

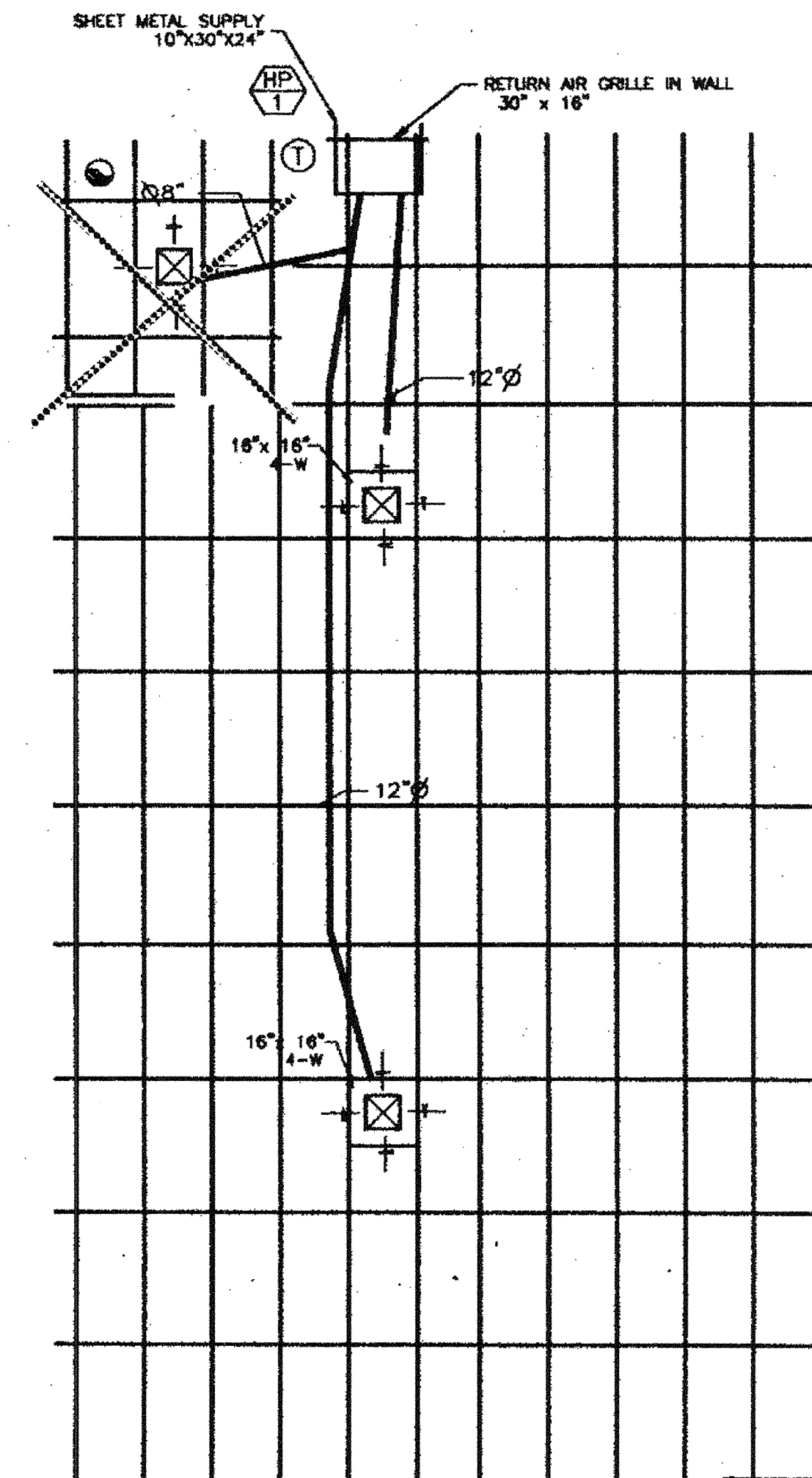
ROUND FLEX DUCT SHALL BE 'GLASS FLEX' ABL-181 OR EQUAL U.L. LISTED CLASS I FLEXIBLE DUCT WITH 13/16" THICK FIBERGLASS INSULATION, NON-PERFORATED LINER AND ADJUSTABLE SHEET METAL COLLARS.

THERMOSTAT PROGRAMMING TO BE PERFORMED AND BATTERY PROVIDED BY OTHERS ON SITE.

TEST AND BALANCE OF HVAC SYSTEM TO BE PROVIDED AND PERFORMED BY OTHERS ON SITE.

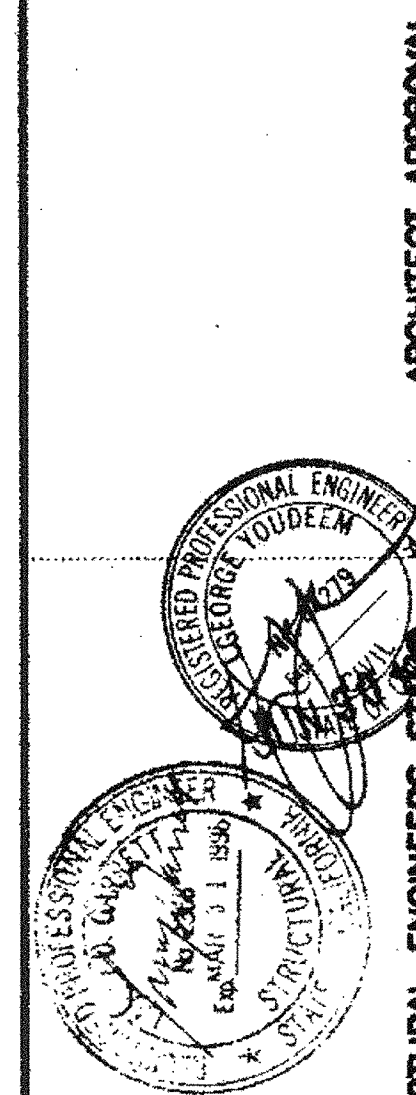
ALL HVAC EQUIPMENT LEAVES FACTORY WIRED FOR 240V. OPERATION. THE ACCEPTABLE OPERATING RANGE FOR THE 240 & 208 TAPS ARE:

TAP	RANGE
240	253-216
208	220-187



MECHANICAL PLAN

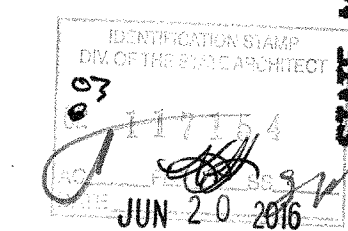
THIS DRAWING AND THE MATERIAL CONTAINED THEREIN, SHALL NOT BE REPRODUCED, COPIED, OR OTHERWISE DISPOSED OF IN WHOLE OR IN PART TO ASSIST IN THE MAKING OF INFORMATION FOR THE MAKING OF DRAWINGS, PRINTS, APPARATUS OR PARTS THEREOF WITHOUT THE FULL KNOWLEDGE AND WRITTEN CONSENT OF MSI, INC. ORIGINATING MATERIAL SHALL BE THE PROPERTY OF MSI, INC. MATERIAL CONTAINED HEREIN AND ORIGINATING WITH MSI, INC. SHALL BE THE PROPERTY OF MSI, INC.



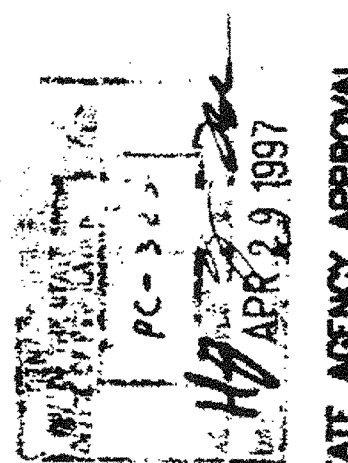
ARCHITECT APPROVAL
 STRUCTURAL ENGINEERS STATE OF CALIFORNIA
 STATE AGENCY APPROVAL

MSI
 MODULAR STRUCTURES INTERNATIONAL, INC.
 880 OFFICE AVE. MENARD, CALIFORNIA 95027
 PHONE: (916) 786-3355 FAX: (916) 786-1888

REGENCY ENGINEERING & CONSULTING GROUP
 1000 S. FERNVA 92016 # 108
 TELEPHONE: (714) 263-3799
 FAX: (714) 263-3795
 A SUBSIDIARY OF REGENCY COMPANY, INC.



STATE AGENCY APPROVAL
 PROJECT: 24'x40' MODULAR CLASSROOM BUILDING
 JOB #: 96-1310
 DATE: 11/21/96
 DRAWN BY:
 SCALE:
 APPROVED:



STATE AGENCY APPROVAL
 PLOT DATE: 04/28/97
 SHEET NO. M-1-24

PROJECT: 24'x40' MODULAR CLASSROOM BUILDING
 TITLE: MECHANICAL PLAN

REVISIONS
 2/4/97
 3/17/97 DSA REV.
 3/24/97 MSI REV.
 3/31/97 MSI REV.
 4/25/97 MSI REV.

REVISIONS
 2/4/97
 3/17/97 DSA REV.
 3/24/97 MSI REV.
 3/31/97 MSI REV.
 4/25/97 MSI REV.

MECHANICAL PLAN

24x40