

GENERAL PLUMBING SPECIFICATIONS

A. PLUMBING EQUIPMENT, FIXTURE AND ACCESSORIES:
FURNISH AND INSTALL ALL PIPING, VALVES, VENTS, STOPS, AND TRAPS
REQUIRED TO CONNECT ALL FIXTURES AND EQUIPMENT. PROVIDE ALL
ELECTRICAL CONNECTIONS AS REQUIRED.

B. MATERIALS AND WORKMANSHIP:
ALL WORKMEN SHALL BE SKILLED AND QUALIFIED FOR THE WORK WHICH THEY
PERFORM. ALL MATERIALS USED, UNLESS OTHERWISE SPECIFIED, SHALL BE
NEW AND OF THE TYPES AND GRADE SPECIFIED.

WORKMANSHIP SHALL BE EQUAL OF BETTER IN QUALITY TO THAT REQUIRED BY THE
CONSTRUCTION TRADES FOR A FINISHED PRODUCT.

IN EACH OF THE SECTIONS FOLLOWING, ONE OF THE ITEMS MUST BE CHECKED AS BEING
APPLICABLE TO THIS BUILDING. ALL ITEMS NOTED AS STRUCTURAL MUST MEET THE
MINIMUM STRUCTURAL REQUIREMENTS SET FORTH IN THE STRUCTURAL PAGES AND NOTES.

VARIABLE PLUMBING SPECIFICATIONS

- WATER CLOSETS
 HANDICAP 18" TANK/BOWL, 3 GPF, KOHLER K-3527-ET OR EQUAL
 (HANDICAP FOR ADULT, HIGH SCHOOL AND MIDDLE SCHOOL)
 STANDARD 14" TANK/BOWL, 3 GPF, KOHLER K-3520-ET OR EQUAL
 (HANDICAP FOR ELEMENTARY SCHOOL AND GENERAL USE)
 WALL HUNG FV/BOWL, 1 GPF, KOHLER K-4430-ET WITH ZURN Z-6000
 FLUSH VALVE OR EQUALS
 OTHER _____

- URINALS
 WALL HUNG, 1.0 GPF, KOHLER K-5018 WITH ZURN Z-6003 FLUSH
 VALVE OR EQUALS
 OTHER _____

- LAVATORIES
 WALL HUNG, 14x12, GERBER 12-354 WITH DELTA FAUCET 523 .5gpm
 OR EQUALS, HC ACCESSIBLE
 WALL HUNG, 18x17, GERBER 12-314 WITH DELTA FAUCET 523 .5gpm
 OR EQUALS, HC ACCESSIBLE
 WALL HUNG, 20x18, KOHLER K-2032 WITH DELTA FAUCET 523 .5gpm
 OR EQUALS, HC ACCESSIBLE
 OTHER _____

- SINKS
 CLASSROOM 25x17, 18GA. STAINLESS STEEL, JUST CRA-1725-A-GR,
 WITH KOHLER K-7895 LEVER HANDLE COLD ONLY GOOSENECK FAUCET,
 AND HAWS 5056 LEVER HANDLE DRINKING BUBBLER OR EQUALS
 CLASSROOM 31x18, 18GA. STAINLESS STEEL, JUST CRA-1831-A-GR,
 WITH KOHLER K-7894 LEVER HANDLE HOT & COLD GOOSENECK
 FAUCET & HAWS 5056 LEVER HANDLE DRINKING BUBBLER OR EQUALS
 KITCHEN DOUBLE BOWL, 33x21, MINIMUM 20GA. STAINLESS STEEL,
 JUST DL-2133-B-GR WITH KOHLER K-15171-CP SINGLE HANDLE
 SWING SPOUT HOT AND COLD FAUCET OR EQUALS
 OTHER _____

- GARBAGE DISPOSERS
 BATCH-FEED, 3/4HP, IN-SINK-ERATOR #17 OR EQUAL
 CONTINUOUS FEED, 1/2HP, IN-SINK-ERATOR BADGER-V OR EQUAL
 OTHER _____

- DRINKING FOUNTAIN
 WALL HUNG, STAINLESS STEEL, HANDICAP ACCESSIBLE, PUSH
 BOTTOM OPERATION, HAWS 1118 OR EQUAL
 OTHER _____

- WATER HEATERS
 2.5 GALLON, 120V RHEEM B1VP2S OR EQUAL
 6 GALLON, 120V RHEEM B1VP6S OR EQUAL
 10 GALLON, 120V UNDER COUNTER, RHEEM B1VP10S OR EQUAL
 20 GALLON, 120V UNDER COUNTER, RHEEM B1VP20S OR EQUAL
 OTHER _____

- GRAB BARS
 ONE EACH 36" AND 42" LONG PER HANDICAP WC, 1-1/2" DIAMETER,
 STAINLESS STEEL, CONCEALED VANDAL RESISTANT MOUNTING,
 BOBRICK B-6206 OR EQUAL
 OTHER _____

- TOILET PAPER DISPENSERS
 ROLL TYPE, STAINLESS STEEL, CONCEALED VANDAL RESISTANT
 MOUNTING AND SPINDLE, BOBRICK B-685.60 OR EQUAL
 FOLDED TISSUE TYPE, STAINLESS STEEL, CONCEALED VANDAL
 RESISTANT MOUNTING AND LOCK, BOBRICK B-272 OR EQUAL
 OTHER _____

- PAPER TOWEL DISPENSERS
 FOLDED TISSUE TYPE, STAINLESS STEEL, CONCEALED VANDAL
 RESISTANT MOUNTING AND LOCK, BOBRICK B-262 OR EQUAL
 OTHER _____

- SOAP DISPENSERS
 LIQUID TYPE, STAINLESS STEEL, CONCEALED VANDAL RESISTANT
 MOUNTING AND LOCK, BOBRICK B-2111 OR EQUAL
 OTHER _____

- MIRRORS
 18x30, 1/4" PLATE GLASS, STAINLESS STEEL CHANNEL FRAME,
 CONCEALED VANDAL RESISTANT MOUNTING, BOBRICK B-165 OR EQUAL
 OTHER _____

- RESTROOM PARTITIONS
 FLOOR MOUNTED AND OVERHEAD BRACED, LAYOUT PER FLOOR PLAN
 STEEL WITH BAKED ENAMEL FINISH, KNICKERBOCKER OR EQUAL
 OTHER _____

- EXHAUST/VENTILATOR FAN
 SWITCH CONTROLLED AT MAX. 48" A.F.F., HANDICAP ACCESSIBLE WITH
 WEATHERPROOF SCREENED WALL CAP
 CEILING/WALL FAN - 50cfm, 2.0ones, BROAN 688 OR EQUAL
 WALL VENTILATOR - 180cfm, 5.0ones, BROAN 509 OR EQUAL
 OTHER _____

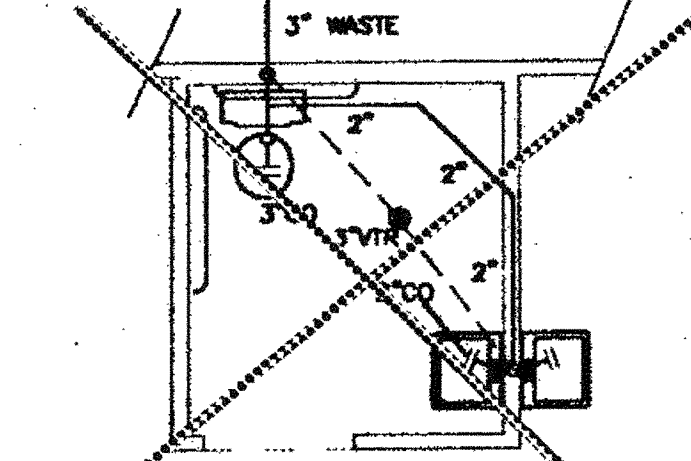
- OPTIONAL EXTRA ITEMS AND HARDWARE
 SPECIFY: _____

PLUMBING NOTES

- ALL VENTS TO ROOF AND VENT RISER CONNECTIONS TO BE OFFSET ABOVE
 CEILING FROM WALLS IN ORDER TO PREVENT PENETRATION THROUGH TOP PLATES.
- ALL WASTE DROPS IN WALLS TO BE OFFSET PRIOR TO WALL BOTTOM PLATES.
- FOR ALLOWABLE CUTTING/NOTCHING/BORED HOLES IN 2x WALL STUDS AND JOISTS,
 SEE TYPICAL DETAILS ON STRUCTURAL SHEETS.
- TOILET CURB ON FLOORS: FOR TOILET ROOMS WITH MORE THAN TWO (2) FIXTURES
 IN RELOCATABLE BUILDINGS, PROVIDE A CONTINUOUS VINYL FLOORING, 2xSTRONG
 "TRINK" BOARD OR EQUAL WITH FULLY SEALED JOINTS, VINYL FLOORING TO EXTEND
 A MIN. OF SIX (6) INCHES UP THE STUD WALL FROM THE FINISH FLOOR LEVEL.
 (REF: SEC. 2317 CBC, AND IR 25-5 D.S.A.)
- ALL INTERIOR COLD AND HOT WATER IS OVERHEAD PIPING EXCEPT AT INSIDE
 WALLS UNLESS OTHERWISE NOTED.
- ALL DRAIN AND SEWER FITTINGS BELOW FLOOR LINE SITE INSTALLED.
- SEWER/WATER STUD OUTS SHALL BE LOCATED WITHIN THE ALLOWABLE AREA AS
 SHOWN ON PLANS AND CONNECTIONS SHOULD BE EASILY ACCESSIBLE FOR
 FUTURE RELOCATION. STUD OUT HEIGHT SHOULD BE COORDINATED WITH BUILDING
 MANUFACTURER AND SITE CONTRACTOR/OWNER.

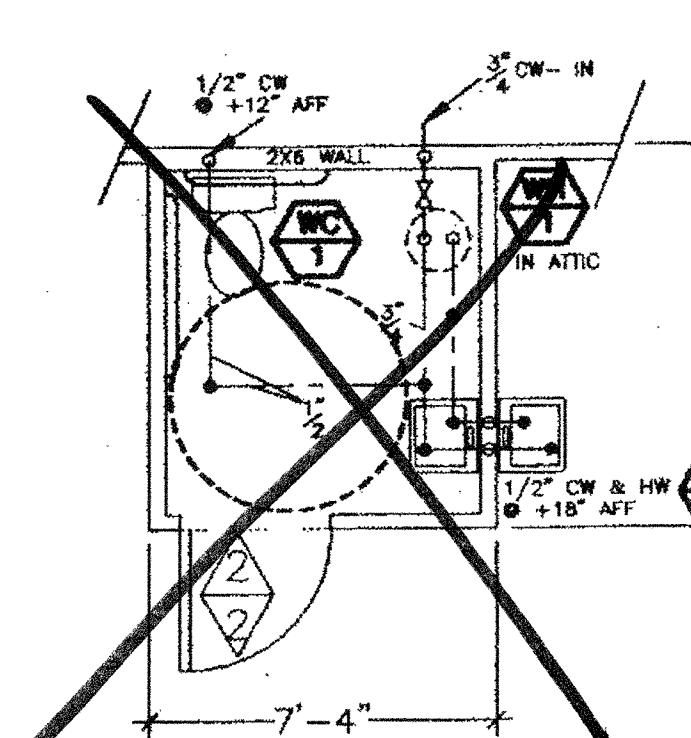
DIMENSION	
	A
TOILET CENTERLINE FROM WALL	18"
TOILET SEAT HEIGHT	17"-19"
GRAB BAR HEIGHT (SIDE)	33"-36"
TOILET PAPER IN FRONT OF TOILET	12" MAX.
NAPKIN DISPOSAL IN FRONT OF TOILET	12" MAX.
DISPENSER OR MIRROR HEIGHT	40" MAX.
LAVATORY/SINK TOP HEIGHT	34" MAX.
LAVATORY/SINK KNEE CLEARANCE	29" MIN.
URNAL UP HEIGHT	17" MAX.
URNAL FLUSH HANDLE HEIGHT	44" MAX.
DRINKING FOUNTAIN BUBBLER HEIGHT	36" MAX.
DRINKING FOUNTAIN KNEE CLEARANCE	27" MIN.
RAMP/STAIR HANDRAIL HEIGHT	34"-38"

A = ADULT DIMENSIONS (AGE 12 AND OVER)



WASTE & VENT PLUMBING

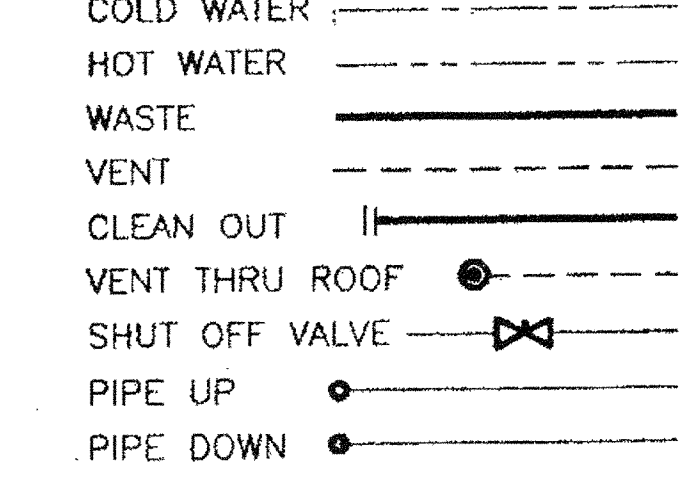
FIXTURE UNITS - 8



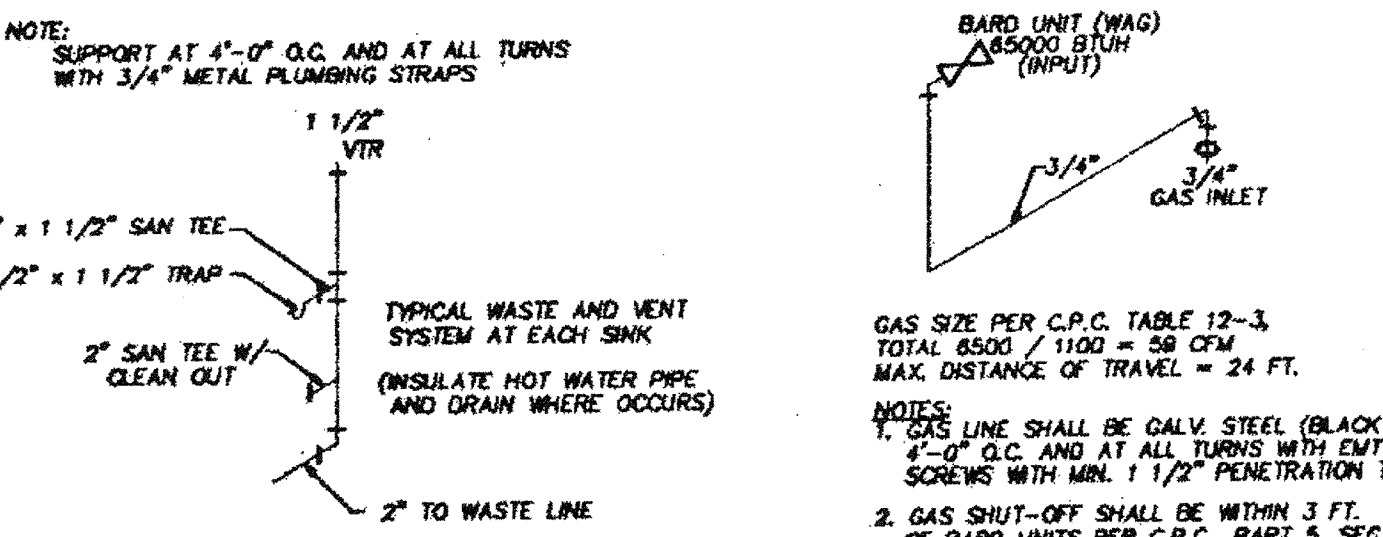
SUPPLY PLUMBING

DEVELOPED LENGTH - 40'
 ASSUMED WATER PRESSURE 46 - 60 PSI
 FIXTURE UNITS - 9

PLUMBING LEGEND

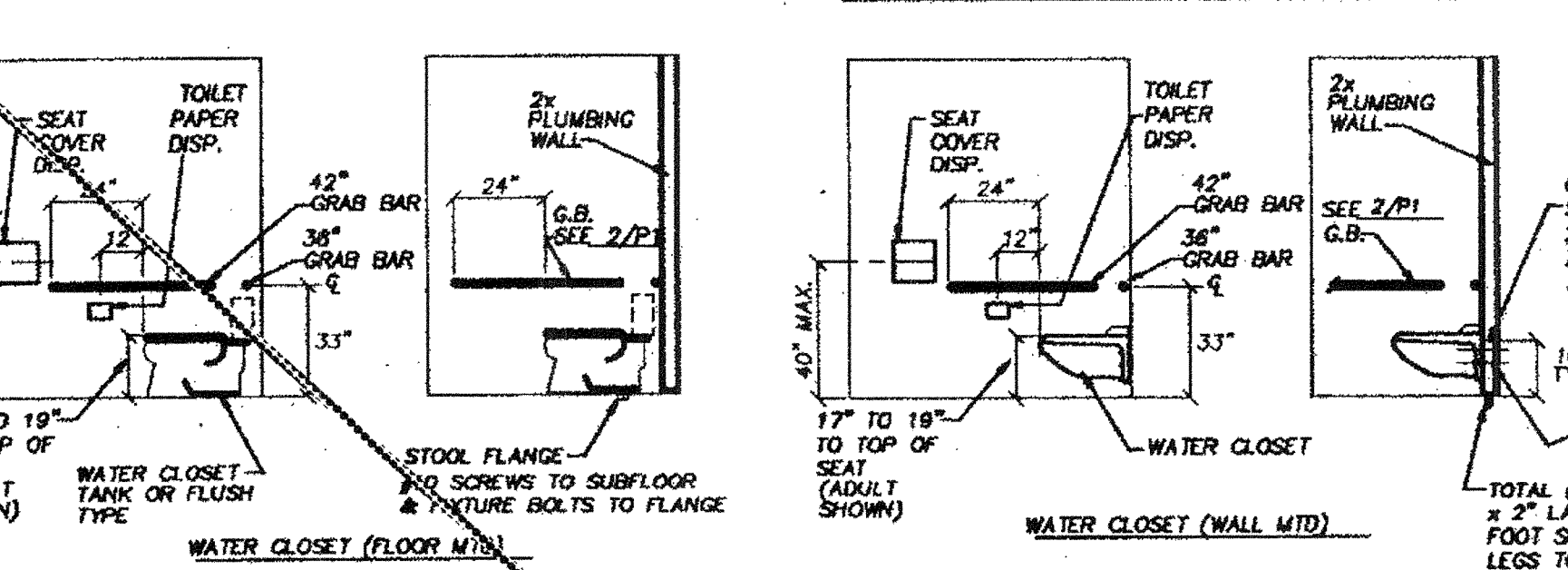


FIXTURE SCHEDULE					
SYMBOL	DESCRIPTION	WASTE	VENT	C.W.	H.W.
WC	VITRIOUS CHINA FLOOR MOUNTED SIPHON JET TANK TYPE WATER CLOSET WITH ELONG OPEN FRONT SEAT. FIXTURE SHALL BE LOW VOLUME FLUSH TYPE. INSTALL FIXTURE IN COMPLIANCE WITH STATE REQUIREMENTS FOR THE PHYSICALLY HANDICAPPED.	3"	2"	1/2"	-
LV	20" x 17" VITRIOUS CHINA WALL MOUNTED LAVATORY, 1/2" ANGLE STOPS WITH SUPPLY AND WALL ESCUTCHEON. CHROME PLATE P-TRAP. INSTALL IN ACCORDANCE WITH STATE REQUIREMENTS FOR THE PHYSICALLY HANDICAPPED.	2"	1-1/2"	1/2"	1/2"
WH	6 GALLON ELECTRIC WATER HEATER WITH P & T THRU FLOOR TO OUTSIDE OF STRUCTURE. WATER HEATER SHALL BE ENERGY COMMISSION APPROVED.	-	-	3/4"	3/4"



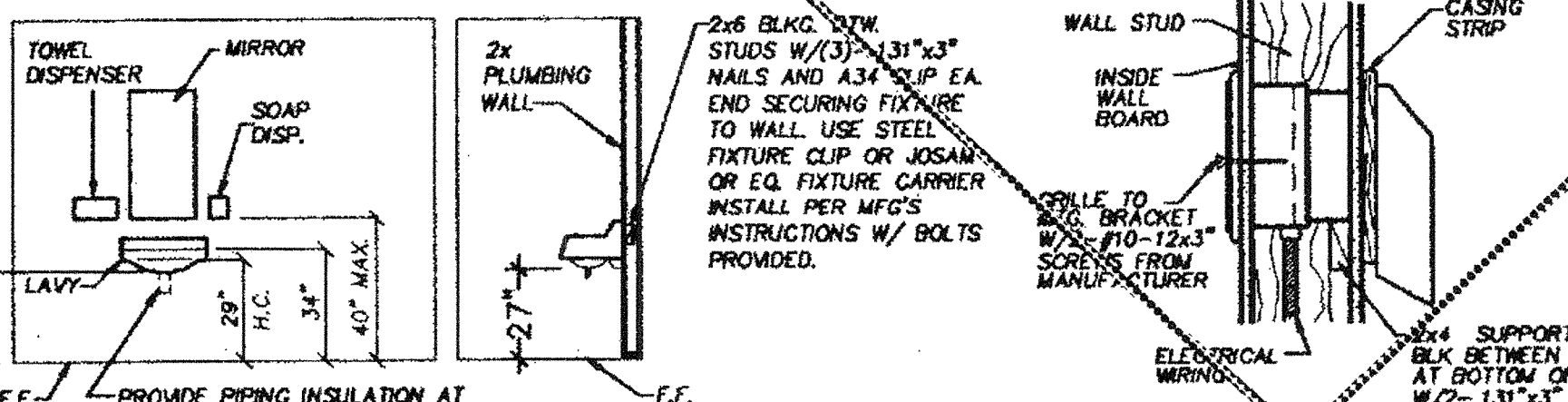
PLUMBING FOR OPTIONAL SINK

THE DRAWINGS BELOW ONLY ILLUSTRATE THE SPECIFIC REQUIREMENTS FOR INSTALLING THE FIXTURES AND THE ACCESSORIES SHOWN. SEE PROJECT SPECIFICATIONS FOR THE ACCESSORIES AND FIXTURES THAT APPLY TO THIS PROJECT.



ACCESS/ATTACH DETAIL

[] SEE VARIABLE ITEM NO. 1
 [] NOT USED THIS PROJECT



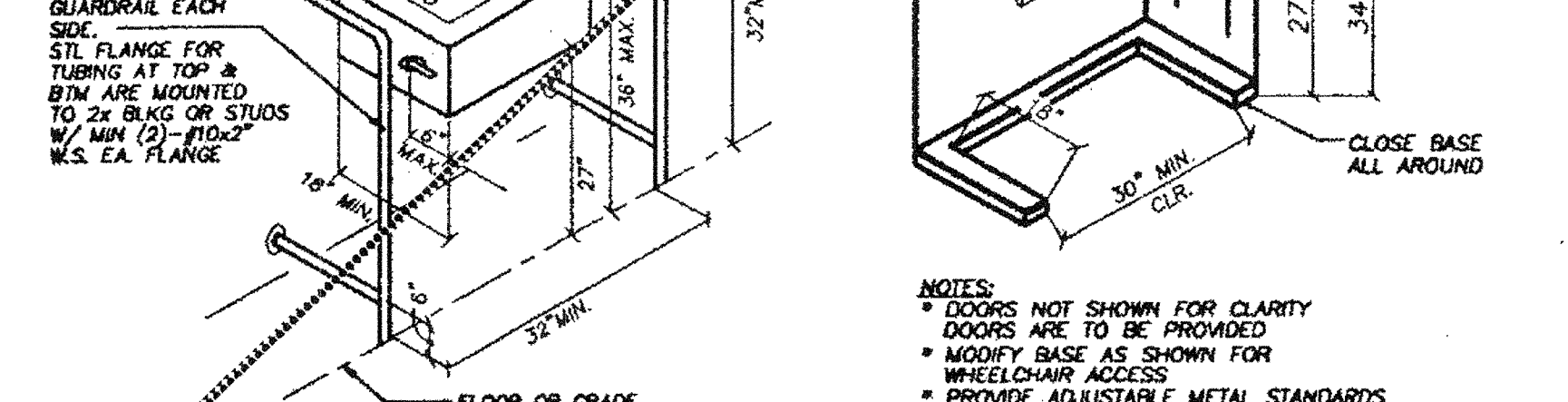
ACCESS/ATTACH DETAIL

[] SEE VARIABLE ITEM NO. 3
 [] NOT USED THIS PROJECT



WALL EXHAUST FAN ATTACHMENT

[] SEE VARIABLE ITEM NO. 4
 [] NOT USED THIS PROJECT



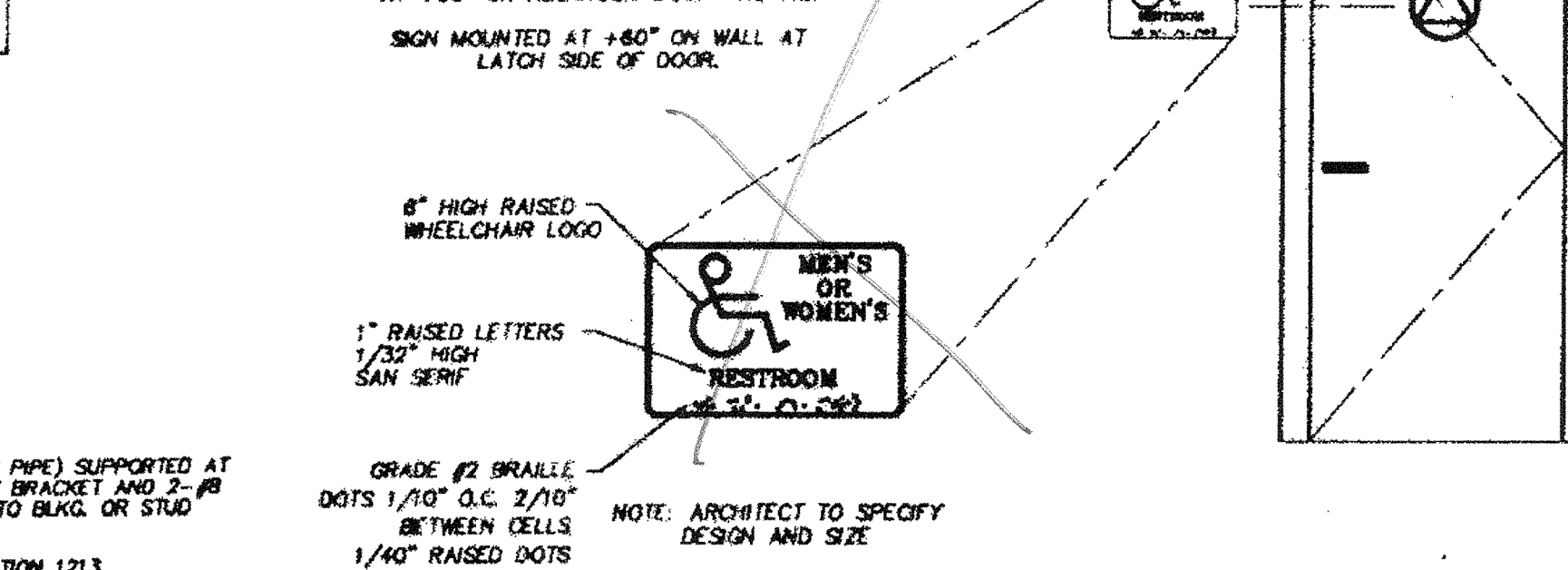
ACCESS WATER FOUNTAIN

[] SEE VARIABLE ITEM NO. 6
 [] NOT USED THIS PROJECT



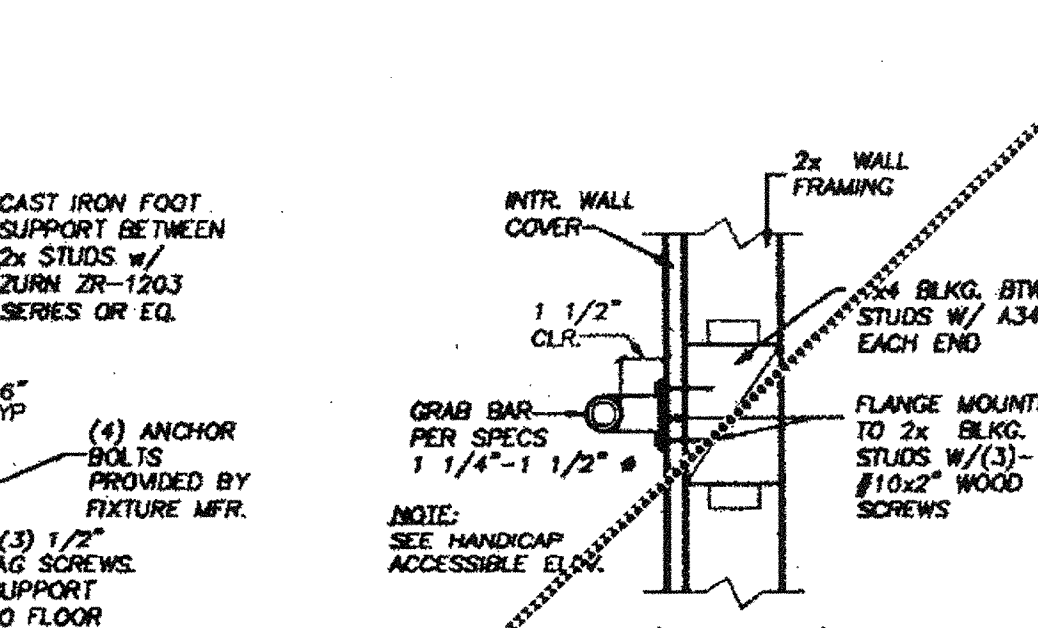
ACCESSIBLE CABINET

[] SEE VARIABLE ITEM NO. 4
 [] NOT USED THIS PROJECT



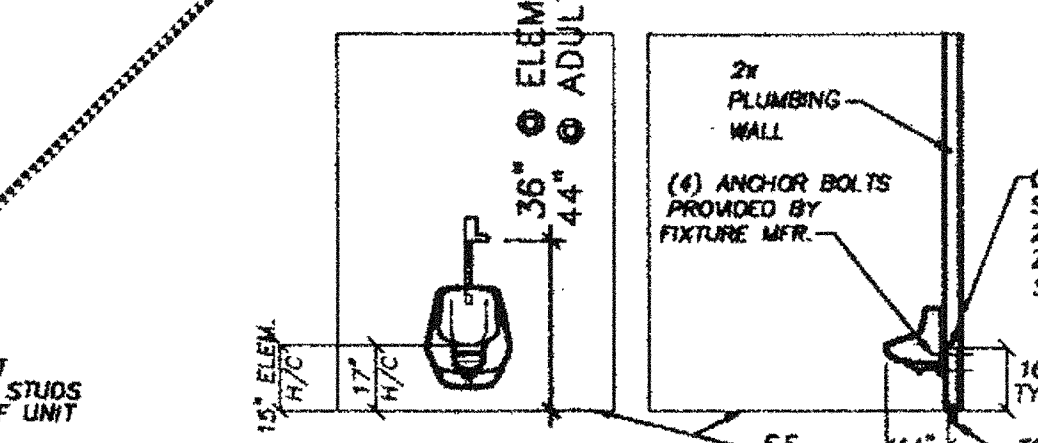
WATER HEATER

[] SEE VARIABLE ITEM NO. 7
 [] NOT USED THIS PROJECT



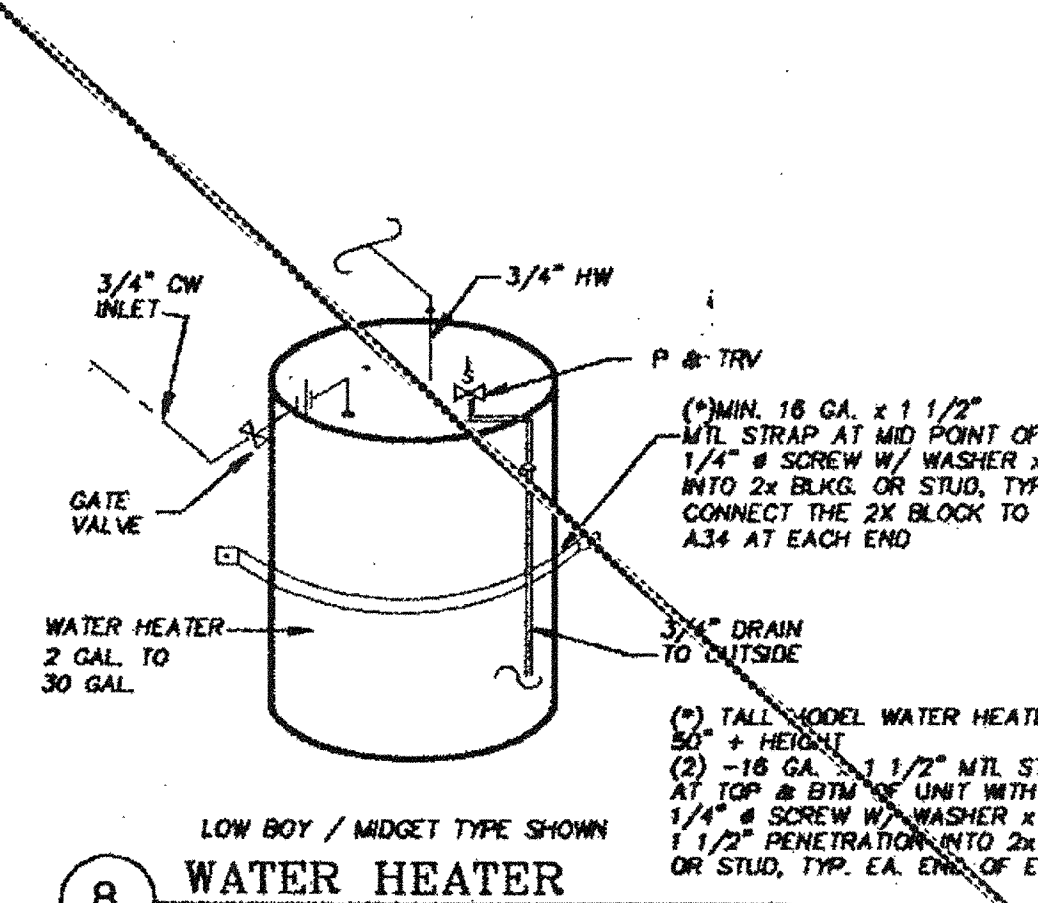
ATTACHMENT DETAIL

[] USED THIS PROJECT W/ 1A & 1B
 [] SEE VARIABLE ITEM NO. 1
 [] NOT USED THIS PROJECT



ACCESS/ATTACH DETAIL

[] SEE VARIABLE ITEM NO. 2
 [] NOT USED THIS PROJECT



SIGNAGE

[] SEE VARIABLE ITEM NO. 4
 [] NOT USED THIS PROJECT

THIS DRAWING AND THE MATERIAL CONTAINED THEREIN ARE THE PROPERTY OF M.S.I. INC. AND SHALL NOT BE REPRODUCED, COPIED, OR TRANSMITTED IN ANY FORM OR BY ANY MEANS, ELECTRONIC OR MECHANICAL, INCLUDING PHOTOCOPYING, RECORDING, OR BY ANY INFORMATION STORAGE AND RETRIEVAL SYSTEM, WITHOUT THE WRITTEN PERMISSION OF M.S.I. INC. FOR THE MAKING OF DRAWINGS, PRINTS OR APPARATUS OR PARTS THEREOF WITHOUT THE FULL KNOWLEDGE AND APPROVAL OF M.S.I. INC. MATERIAL CONTAINED HEREIN AND ORIGINATING WITH M.S.I. INC. SHALL BE THE PROPERTY OF M.S.I. INC. M.S.I. INC. SHALL BE THE PROPERTY OF M.S.I. INC. M.S.I. INC. SHALL BE THE PROPERTY OF M.S.I. INC.

ARCHITECT APPROVAL

STRUCTURAL ENGINEERS STAMP

STATE AGENCY APPROVAL

STATE AGENCY APPROVAL

STATE AGENCY APPROVAL

STATE AGENCY APPROVAL

STATE AGENCY APPROVAL

STATE AGENCY APPROVAL

STATE AGENCY APPROVAL

STATE AGENCY APPROVAL

STATE AGENCY APPROVAL

STATE AGENCY APPROVAL

STATE AGENCY APPROVAL

STATE AGENCY APPROVAL

STATE AGENCY APPROVAL

STATE AGENCY APPROVAL

MSI
 MODULAR STRUCTURES INTERNATIONAL, INC.
 650 CRAIG AVE. WILSONVILLE, OREGON 97150
 PHONE: (503) 768-3035 FAX: (503) 768-1053

REGENCY ENGINEERING & CONSULTING GROUP
 17166 VON KARMAN, SUITE # 108
 TELEPHONE: (714) 989-8799
 A SUBSIDIARY OF REGENCY COMPANY, INC.

PROJECT
 24'x40', 36'x40', & 48'x40'
 MODULAR CLASSROOM BUILDING

TITLE
 PLUMBING GENERAL NOTES & DETAILS

JOB # 96-1310
 DATE 12/9/96
 DRAWN BY B.N.
 SCALE NONE
 APPROVED NONE
 REVISIONS:
 2/4/97
 3/17/97
 4/25/97 MSI REV.
 PLOT DATE: 04/28/97
 SHEET NO. G-4