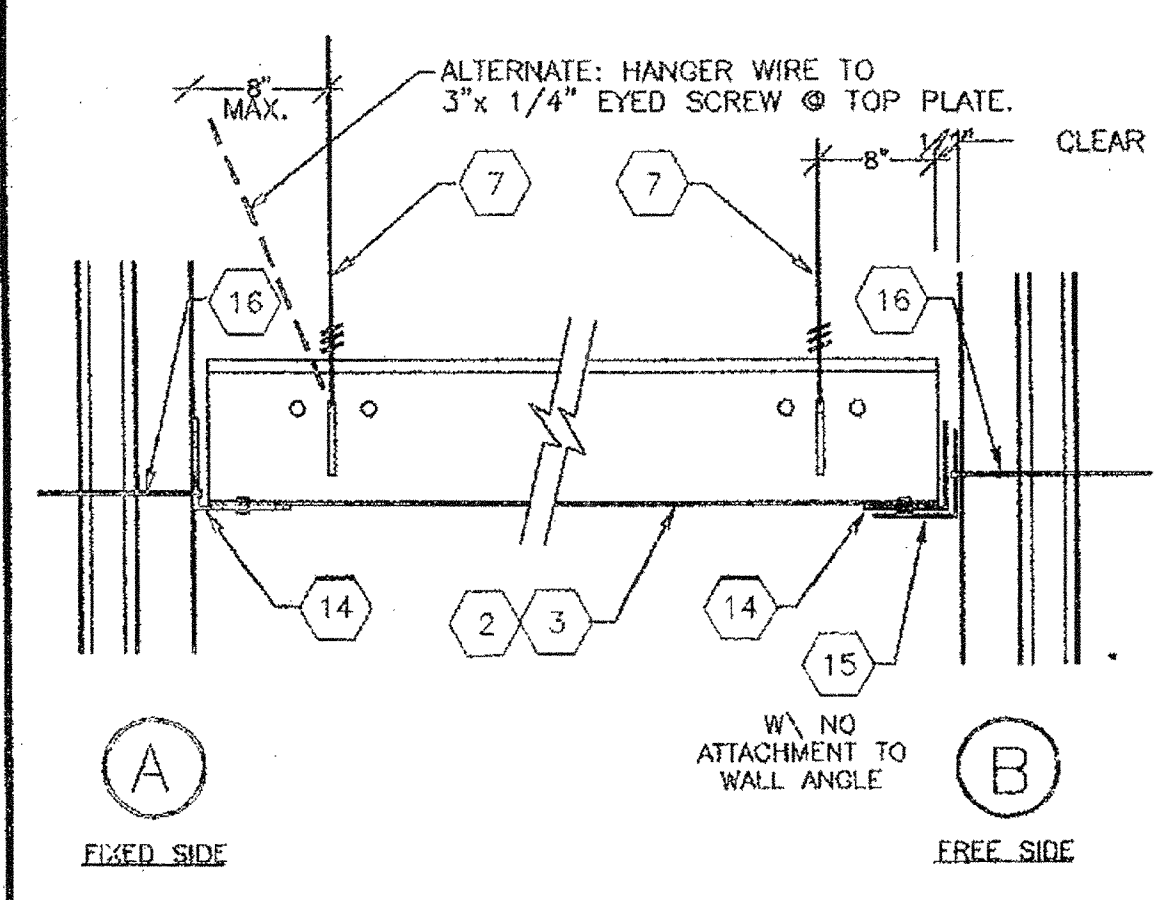
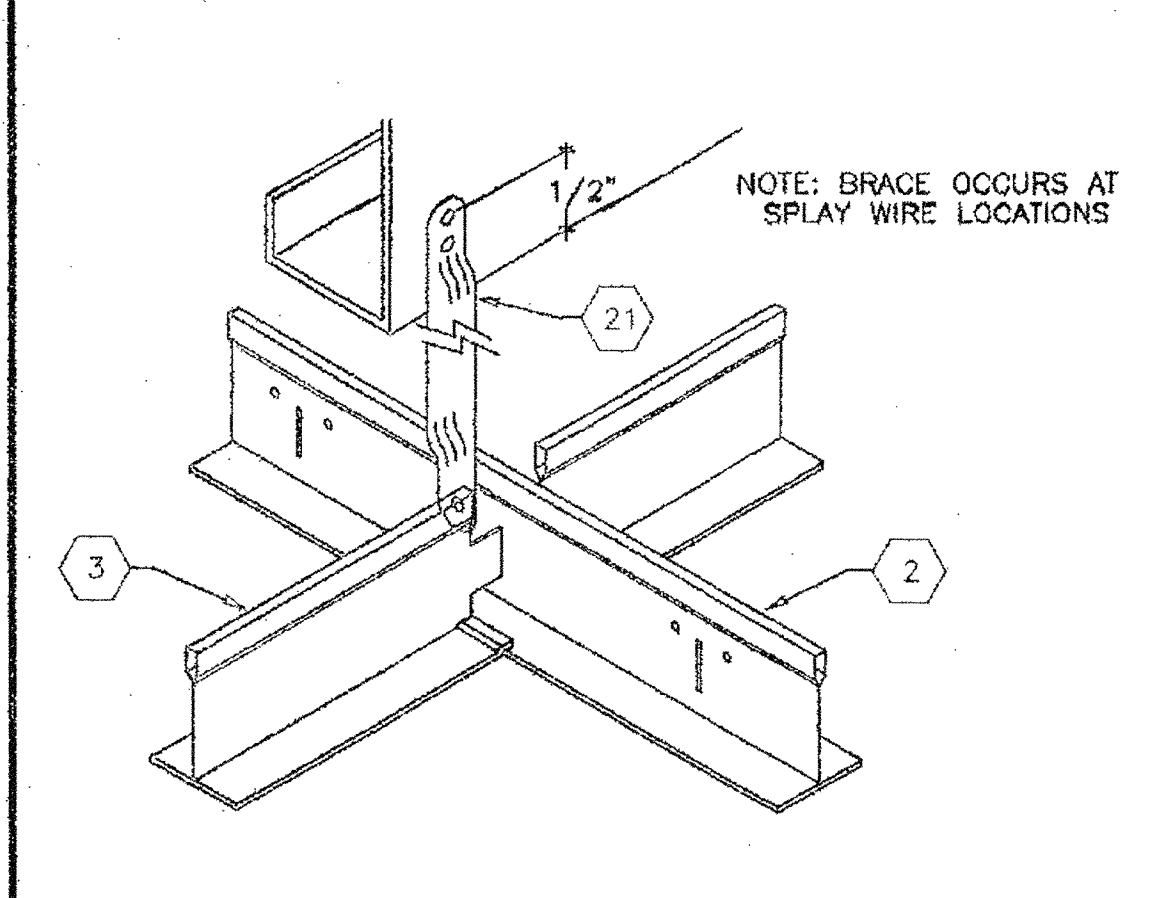


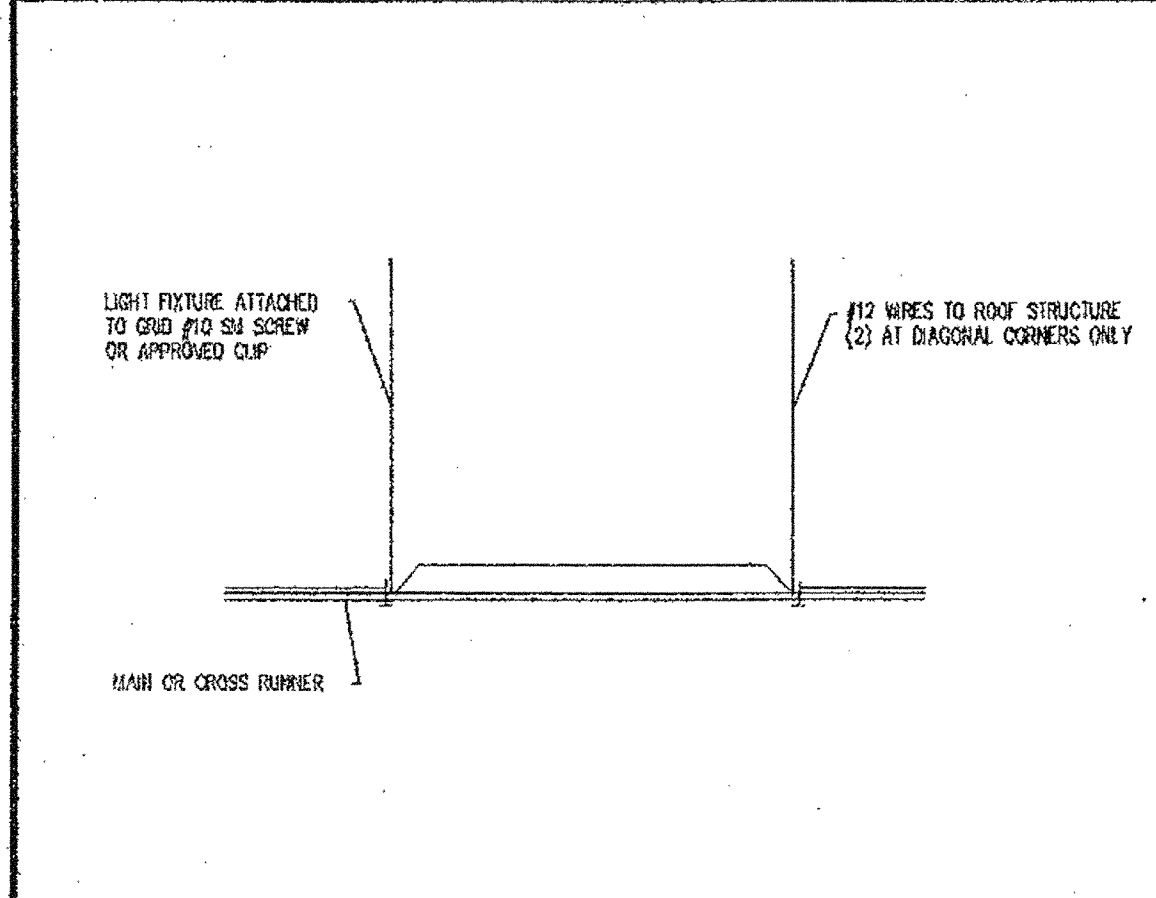
1 SPLAY WIRE



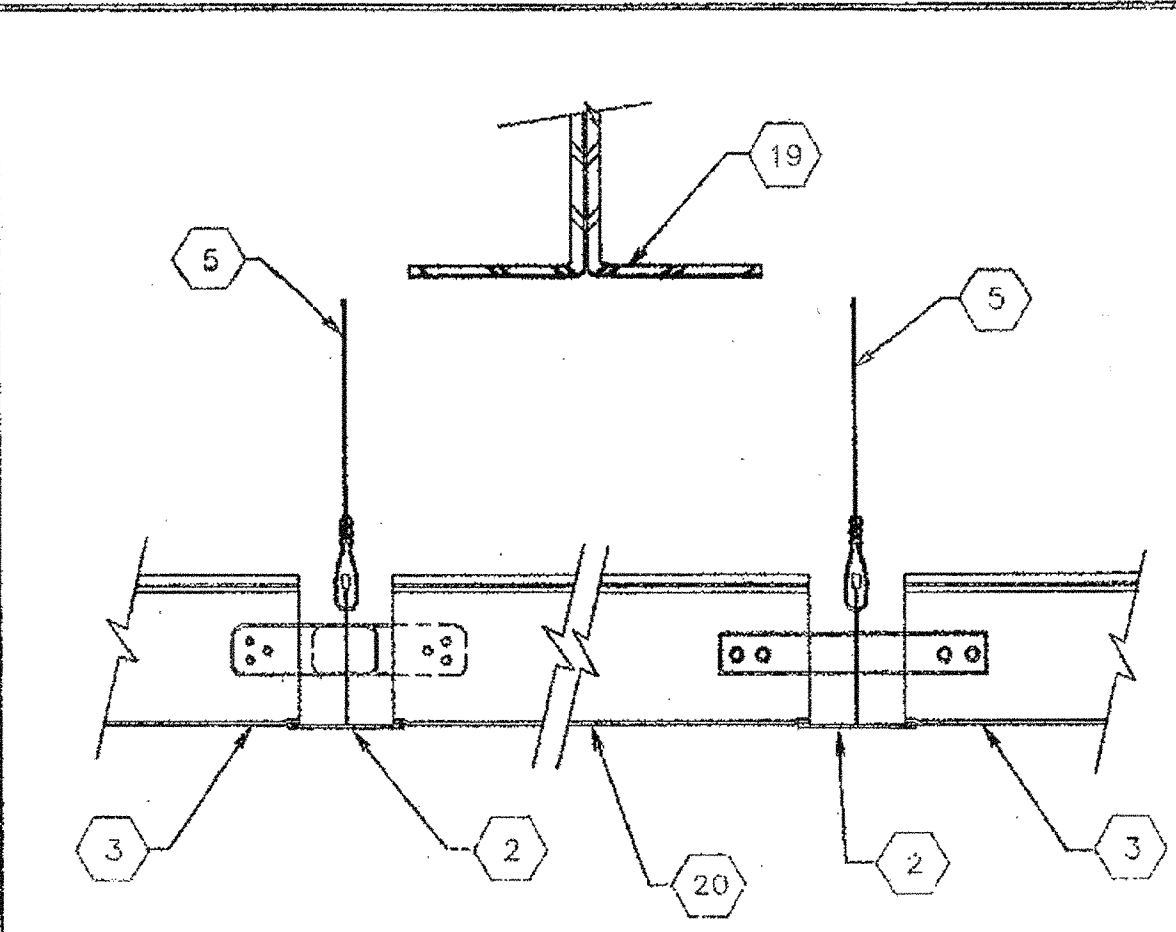
3 GRID AT WALL



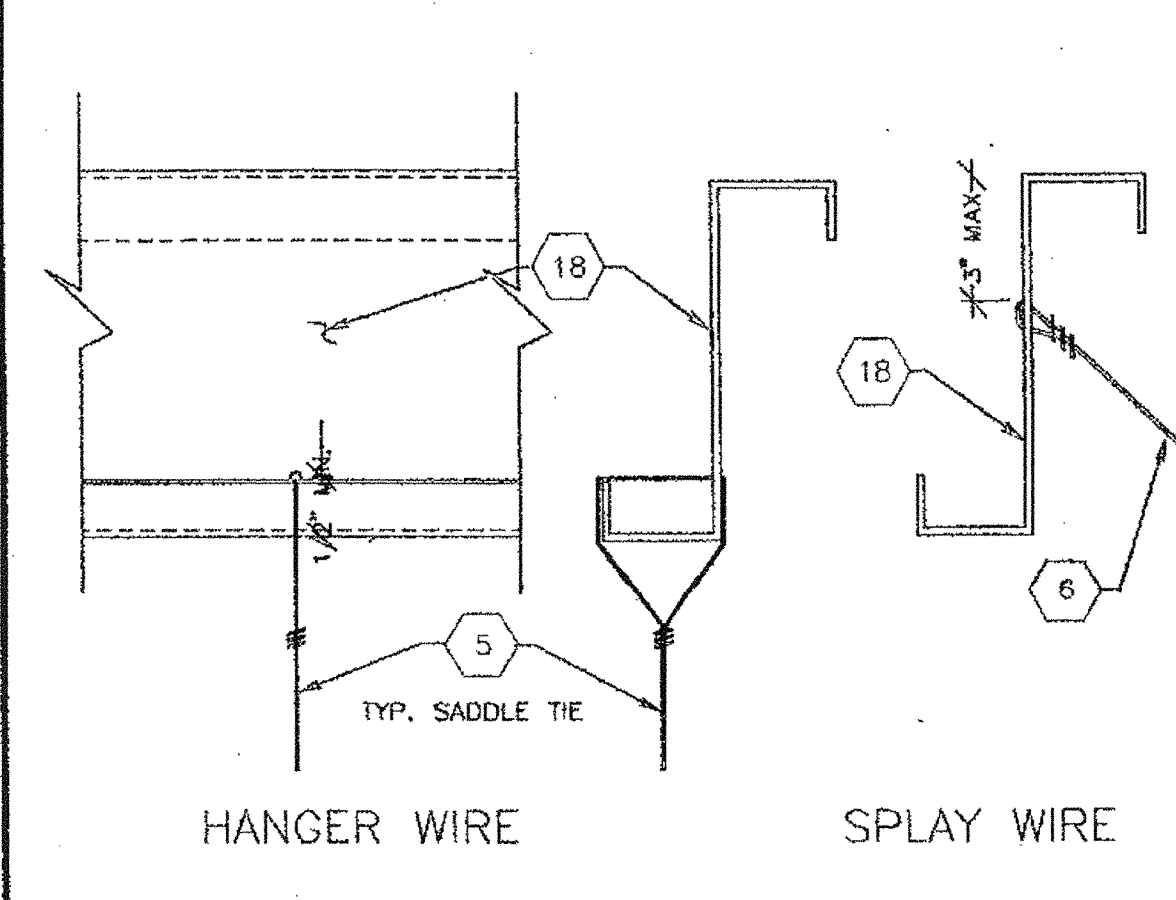
5 VERTICAL BRACE



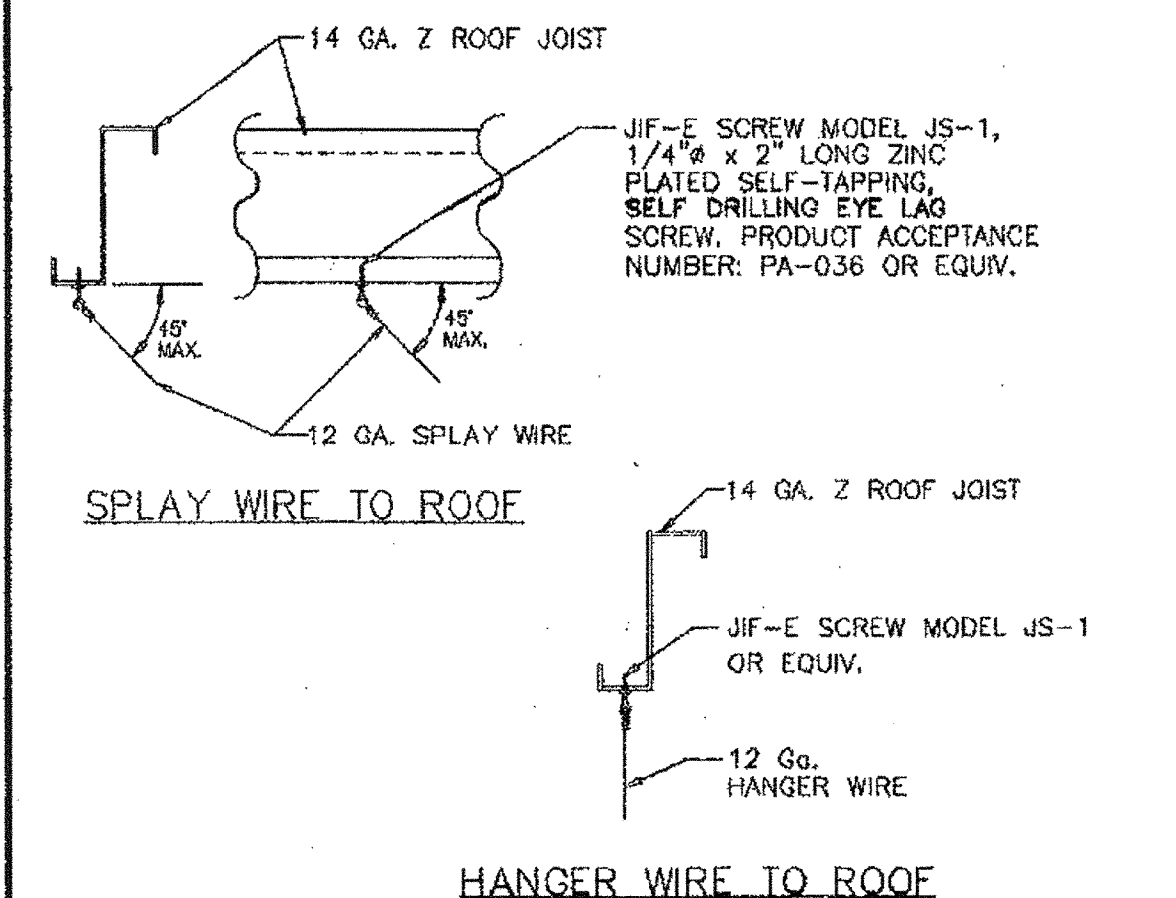
7 LIGHTING FIXTURE DETAIL NYS



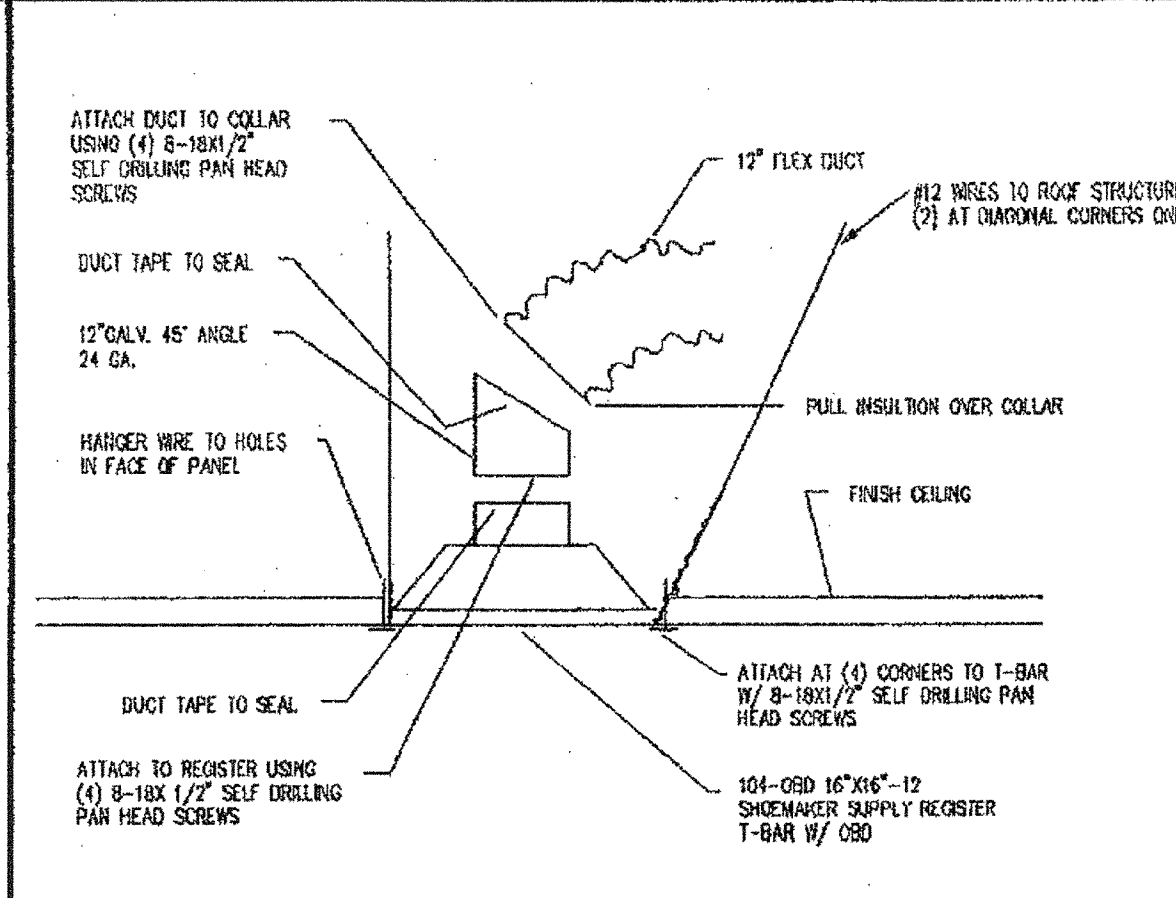
2 GRID AT MODLINE



4 WIRE ATTACHMENT



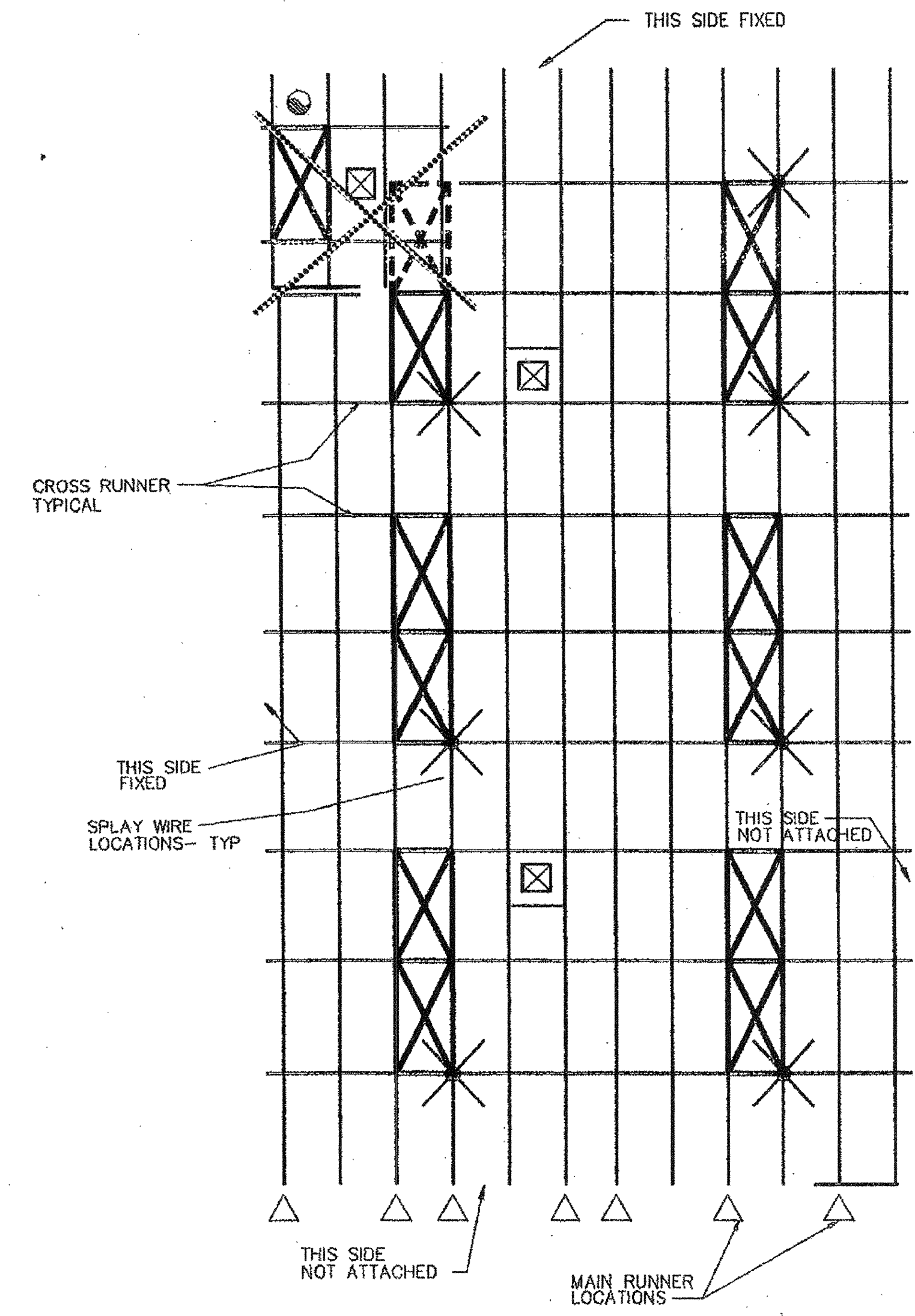
6 ALTERNATE WIRE ATTACHMENT



8 REGISTER BOX DETAIL NYS

KEY NOTES

- 1 MAIN RUNNERS @ 4'-0" O.C. WITH HANGER WIRES SPACED @ 4'-0" O.C. MAX.
- 2 MAIN RUNNER: DONN CORP. DX-26 HEAVY DUTY
- 3 CROSS RUNNER: DONN CORP. DXO-424 HEAVY DUTY
- 4 WALL RUNNER: DONN CORP. M7-EV
- 5 TYPICAL HANGER WIRE TO BE 12 Gg. STEEL WIRE ATTACHED TO STRUCTURE ABOVE AND TO GRID WITH (3) TIGHT TURNS WITHIN 1 1/2" - SEE DETAIL 4
- 6 TYPICAL SPLAY WIRE TO BE 12 Gg. STEEL WIRE ATTACHED TO STRUCTURE ABOVE AND TO GRID WITH (4) TIGHT TURNS WITHIN 1 1/2" - SEE DETAIL 4
- 7 AT END OF ROWS OF RUNNERS, A HANGER WIRE SHALL BE ATTACHED WITHIN 6" (OF ANY WALL OR SOFFIT) OR 1/4 LENGTH OF END TEE WHICHEVER IS LEAST
- 8 VERTICAL WIRES MORE THAN 1/8 OUT OF PLUMB SHALL HAVE COUNTERBALANCE WIRES INSTALLED. ADJOINING WALLS; AT OTHER WALLS NO ATTACHMENT. A 1/2" CLEARANCE BETWEEN END OF RUNNER AND FACE OF WALL. WIRES INSTALLED AS INDICATED ON PLAN. SPLAY WIRES SHALL BE TAUT BUT NOT DISTORT.
- 9 RUNNERS MAY BE ATTACHED TO WALL MOLDING AT (2) ADJOINING WALLS; AT OTHER WALLS NO ATTACHMENT. WHERE THERE IS NO ATTACHMENT THERE SHALL BE A 1/2" CLEARANCE BETWEEN END RUNNER AND FACE OF WALL.
- 10 CEILING AREAS EVERY 144 SQ. FT. OR LESS SHALL HAVE SPLAY WIRES INSTALLED AS INDICATED ON CEILING PLAN. SPLAY WIRES SHALL BE TAUT BUT SHALL NOT DISTORT GRID.
- 11 ELECTRICIAN SHALL PROVIDE (2) SLACK HANGER WIRES AT OPPOSITE CORNERS OF ALL LIGHT FIXTURES. WIRES SHALL BE ATTACHED TO STRUCTURE ABOVE PER NOTE 5. LIGHT FIXTURES SHALL BE ATTACHED TO CEILING GRID WITH (2) #8 SHEET METAL SCREWS.
- 12 DUCTWORK, IF REQUIRED, SHALL BE RIGIDLY ATTACHED TO STRUCTURE ABOVE AT INTERVALS NOT TO EXCEED 4'-0" AND SHALL NOT BE CLOSER THAN 6" TO ANY WIRE.
- 13 CEILING REGISTERS, WHEN INDICATED ON PLANS, SHALL BE ATTACHED TO STRUCTURE ABOVE PER NOTE 5.
- 14 CONT. WALL ANGLE WITH POP RIVET TO EACH MEMBER.
- 15 CONTINUOUS WALL ANGLE.
- 16 6d NAIL @ 16" O.C. INTO BLOCK OR STUD.
- 17
- 18 ROOF JOIST
- 19 ROOF BEAM
- 20 CLOSE OFF CROSS TEE-- INSERT ONE END OF CROSS TEE INTO MAIN RUNNER WITH BAYONET. CUT OPPOSITE END TO FIT (IF LESS THAN 24"). INSERT MIN. 20 Gg. MTL. STRAP THRU MAIN RUNNER, SECURE TO CROSS TEE W/ (2) #8 TEK SCREWS AT EACH END.
- 21 VERTICAL BRACE-- 1/2" STEEL CONDUIT AT SPLAY WIRE LOCATIONS. DRILL 1/8" HOLE THRU CONDUIT AT TOP & BOTTOM. ATTACH CONDUIT TO JOIST ABOVE OR TO BLOCKING W/ (2) #8 SCREWS.



REFLECTED CEILING PLAN

LEGEND

- SUPPLY AIR DIFFUSERS
- 2'x 4' FLUORESCENT DROP-IN FIXTURE
- 4-WAY SPLAY WIRE SYSTEM

THIS DRAWING AND THE MATERIAL CONTAINED THEREIN ARE THE PROPERTY OF M.S.I. INC. AND SHALL NOT BE REPRODUCED, COPIED, OR TRANSMITTED IN ANY FORM OR BY ANY MEANS, ELECTRONIC OR MECHANICAL, INCLUDING PHOTOCOPYING, RECORDING, OR BY ANY INFORMATION STORAGE AND RETRIEVAL SYSTEM, WITHOUT THE WRITTEN CONSENT OF M.S.I. INC. ALL PATENTABLE MATERIAL CONTAINED HEREIN AND ORIGINATING WITH M.S.I. INC. SHALL BE HEREBY AND ORIGINATING WITH M.S.I. INC. SHALL BE THE PROPERTY OF M.S.I. INC.

ARCHITECT APPROVAL
 STRUCTURAL ENGINEERS STAMP
 STATE AGENCY APPROVAL
 STATE AGENCY APPROVAL
 PROJECT: 24'X40' MODULAR CLASSROOM BUILDING
 TITLE: REFLECTED CEILING PLAN

MSI
 MODULAR STRUCTURES INTERNATIONAL, INC.
 980 CENTRAL EXP. AVENUE, CALIFORNIA 92607
 PHONE: (949) 768-3035 FAX: (949) 768-0823
 PC-323

REGENCY ENGINEERING & CONSULTING GROUP
 17165 VON KARMAN, SUITE # 108
 IRVINE, CALIFORNIA 92614
 PHONE: (714) 852-3785
 FAX: (714) 852-3785
 A SUBSIDIARY OF REGENCY COMPANY, INC.

STATE AGENCY APPROVAL
 PROJECT: 24'X40' MODULAR CLASSROOM BUILDING
 TITLE: REFLECTED CEILING PLAN

STATE AGENCY APPROVAL
 JOB #: 96-1310
 DATE: 11/21/96
 DRAWN BY:
 SCALE:
 APPROVED:
 REVISIONS:
 2/4/97
 3/17/97 DSA REV.
 3/24/97 MSI REV.
 3/31/97 MSI REV.
 4/25/97 MSI REV.
 PLOT DATE: 04/28/97
 SHEET NO. A-6-24