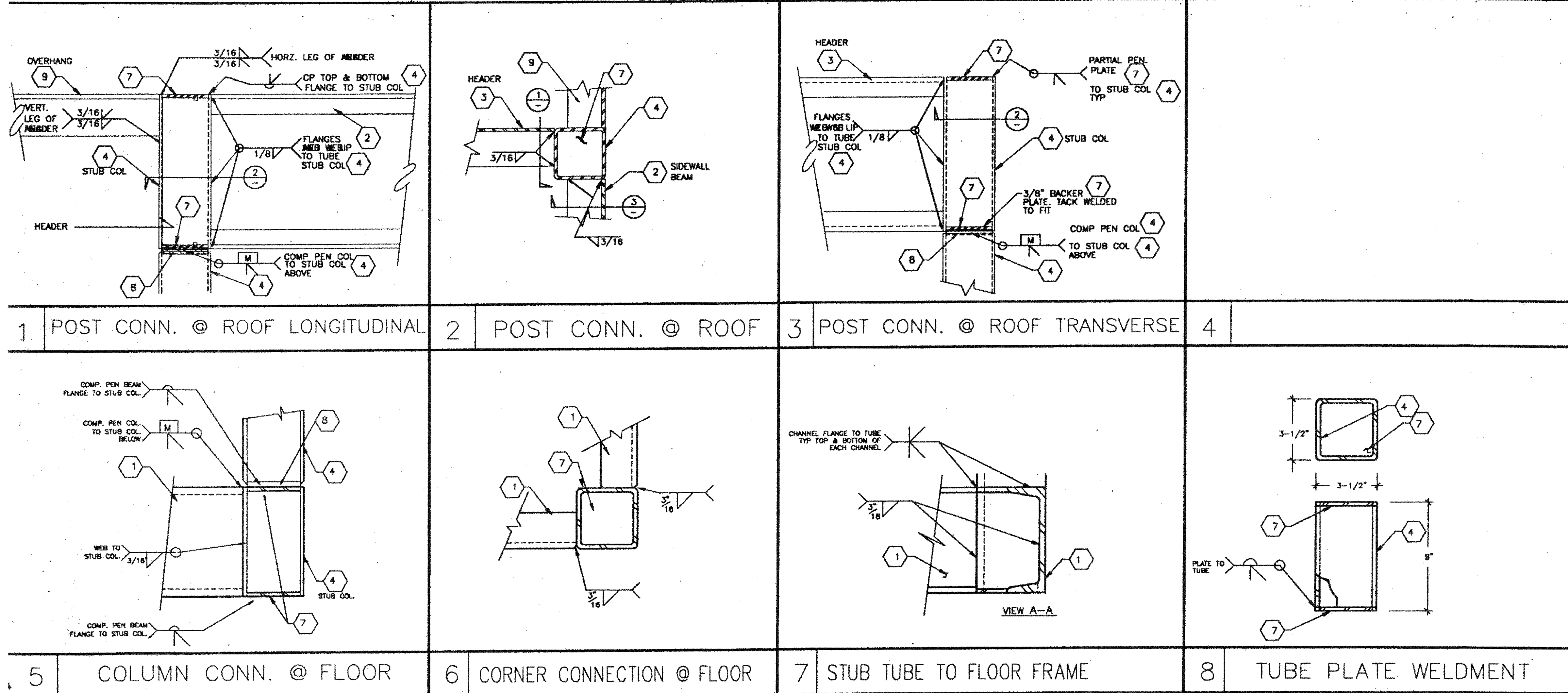
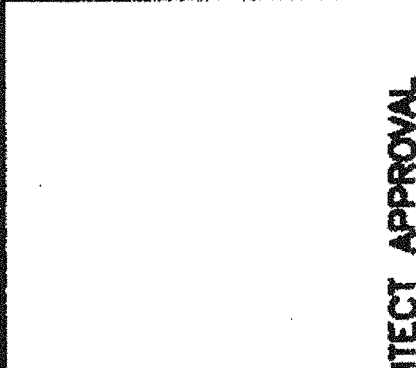


STRUCTURAL CROSS SECTIONS (COLD ROLLED)
SCALE 1/4" = 1'-0"



THIS DRAWING AND THE MATERIAL CONTAINED THEREIN ARE THE PROPERTY OF M.S.I. INC. AND SHALL NOT BE REPRODUCED, COPIED OR OTHERWISE DISPOSED OF DIRECTLY OR INDIRECTLY WITHOUT THE WRITTEN CONSENT OF M.S.I. INC. ALL PATENTABLE MATERIAL CONTAINED HEREIN AND ORIGINATING WITH M.S.I. INC. SHALL BE THE PROPERTY OF M.S.I. INC.



MSI
MODULAR STRUCTURES INTERNATIONAL, INC.
800 STRAS AVE. #2000, CALIFORNIA, 92607
PHONE: (909) 768-3038 FAX: (909) 768-1883



REGENCY ENGINEERING & CONSULTING GROUP
1706 VON KARMAN, SUITE # 108
IRVINE, CA 92714
TELEPHONE: (714) 965-3789
FAX: (714) 965-3795
A SUBSIDIARY OF REGENCY COMPANY, INC.

STRUCTURAL ENGINEERS STAMP ARCHITECT APPROVAL

STATE AGENCY APPROVAL

PROJECT
24'x40', 36'x40', & 48'x40'
MODULAR CLASSROOM BUILDING

TITLE
DOUBLE SLOPE COLD ROLLED/
TRUSS RIGID FRAME

JUN 20 2006

STATE AGENCY APPROVAL

DATE 4/1/97

DRAWN BY MDT

SCALE NONE

APPROVED

REVISIONS
4/25/97 MSI REV.

STATE AGENCY APPROVAL

APR 29 1997

PLOT DATE: 04/28/97

SHEET NO. S-5A