

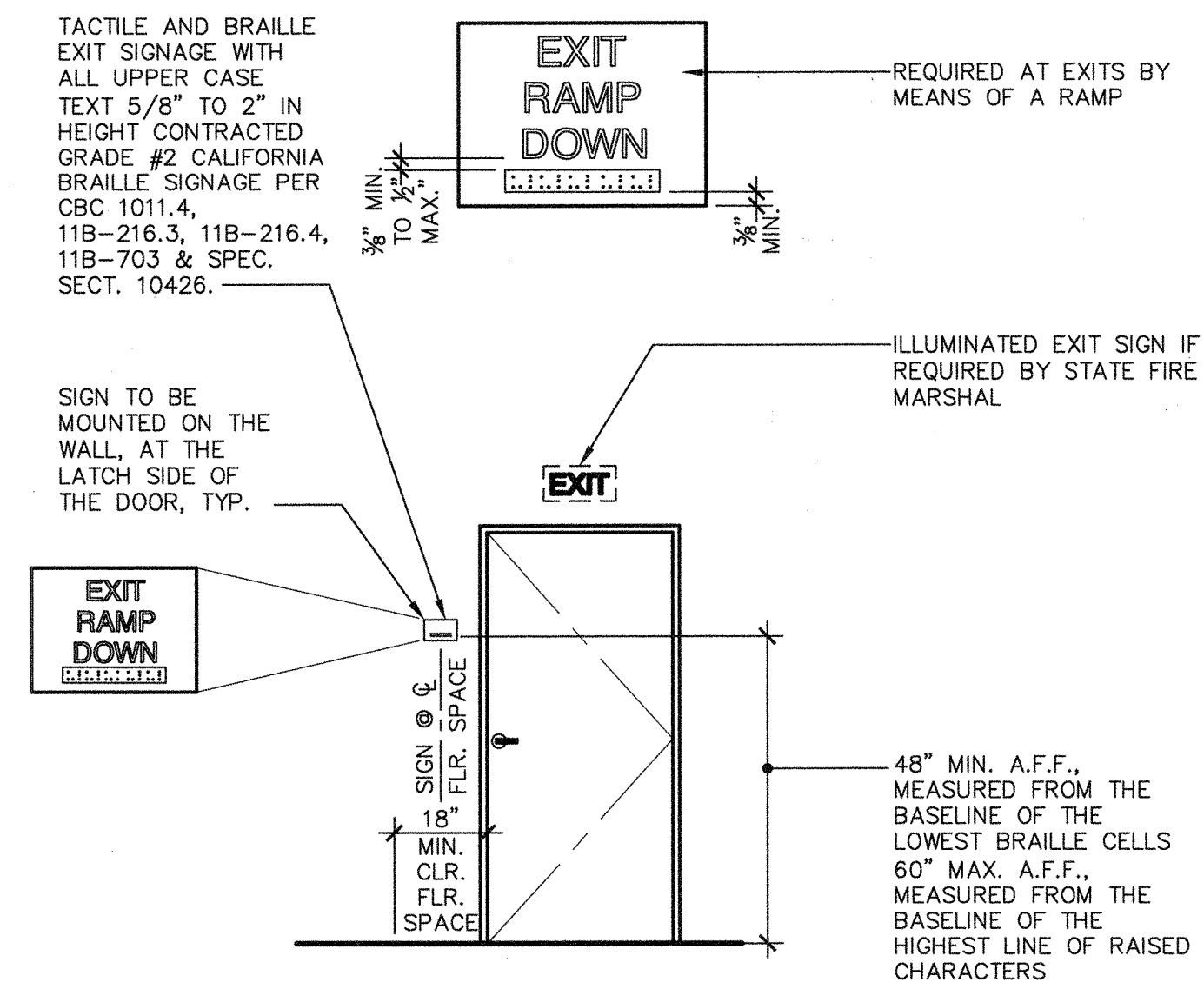
13 TYPICAL CHAIN LINK FENCE AND GATES
A1.03 ADY100-01

TYPICAL FENCE & GATE KEYNOTES

- 1 4" O.D. GALVANIZED STEEL GATE POST (9.1 lb/ft)
- 2 7/8" O.D. GALVANIZED STEEL END OR CORNER POST (5.79 lb/ft)
- 3 2" O.D. GALVANIZED STEEL GATE FRAME (2.72 lb/ft)
- 4 5/8" O.D. GALVANIZED STEEL HORIZONTAL RAIL (2.27 lb/ft)
- 5 2"x2" X 9 GAUGE GALVANIZED FENCE FABRIC WITH TURNBUCKLE TOP AND BOTTOM SELVAGE. FENCE FABRIC TO BE GALVANIZED BEFORE WEAVING (GBW)
- 6 1/4"x3/4" GALVANIZED STEEL STRETCHER BAR
- 7 GALVANIZED STEEL STRETCHER BAR TENSION BAND, MIN. OF TENSION BANDS
- 8 9 GAUGE (0.148" DIA.) GALVANIZED STEEL TIE WIRES OR HOG RINGS AT 15" MAX. SPACING. MIN. 5 TIE WIRES PER EACH 10" HORIZONTAL RAIL
- 9 GALVANIZED ADJUSTABLE TURNBUCKLE FOR 3/8" DIA. TRUSS ROD
- 10 3/8" DIA. GALVANIZED STEEL ADJUSTABLE TRUSS ROD. TRUSS RODS REQUIRED FOR ALL GATE POST PANELS AND END OR CORNER POST PANELS
- 11 3/8"x6" GALVANIZED HOOK BOLT WITH NUT IMBEDDED IN MIDWAY BETWEEN POSTS
- 12 7 GAUGE (0.177" DIA.) GALVANIZED STEEL TENSION WIRE
- 13 RAINPROOF CAP
- 14 LOCKING HASP
- 15 180° GATE HINGE, TYP
- 16 12"Ø CONCRETE POST FOOTING (TYP.)
- 17 TRIM, LEVER HANDLE & RIM CYLINDER LOCK PER DISTRICT STANDARD 34" - 44"
- 18 16ga GATE GUARD
- 19 10" HIGH x GATE WIDTH, 16 ga POWDER-COATED METAL KICK PLATE, TYP BOTH SIDES OF GATE.

SCALE: N.T.S.

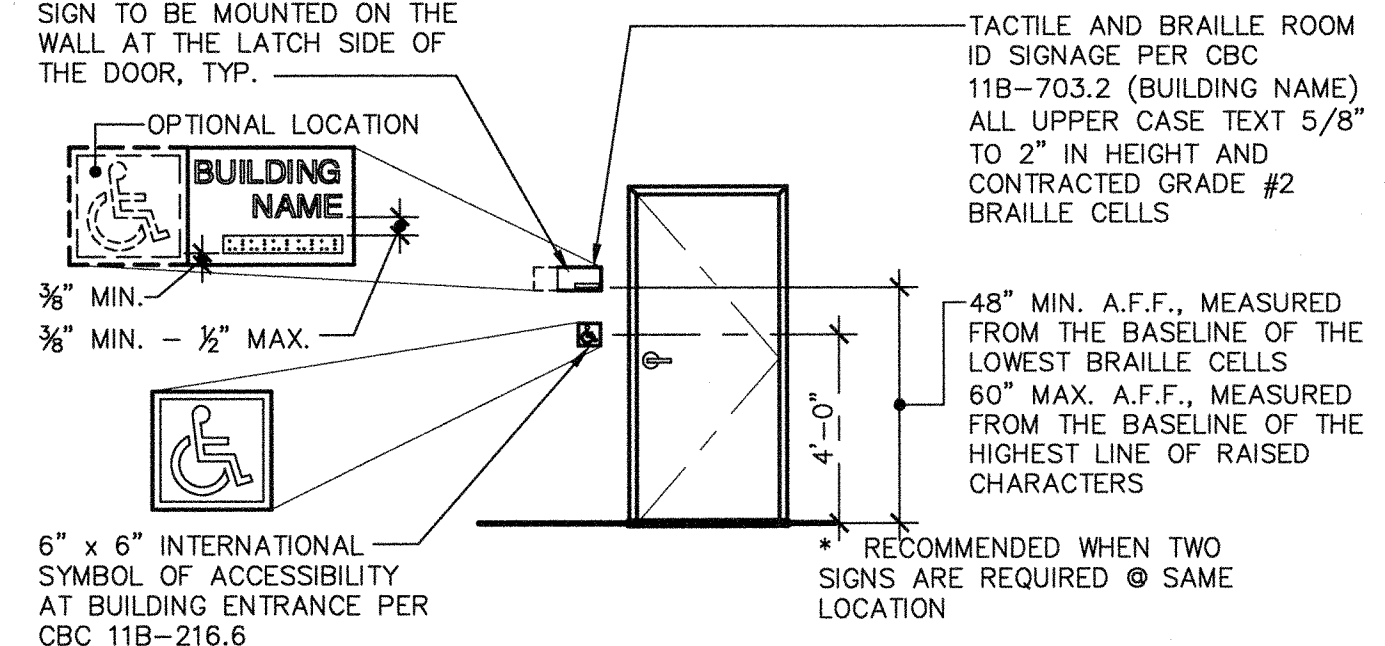
- NOTES:
- DOOR SIGNS TO BE CONSTRUCTED FROM 1/4" THICK PLASTIC OR HEAT STAMPED FIGURES. COLORS TO BE SELECTED BY ARCHITECT.
 - ATTACH SIGNS USING FOUR (4) FLATHEAD, STAINLESS STEEL, TAMPER PROOF SCREWS, (COUNTERSUNK), AND ADHESIVE.
 - 70% CONTRAST BETWEEN CHARACTERS AND BACKGROUND



2 TYPICAL EXTERIOR DOOR SIGNAGE

A1.03 ADX200-01 SCALE: 1' = 1'-0"

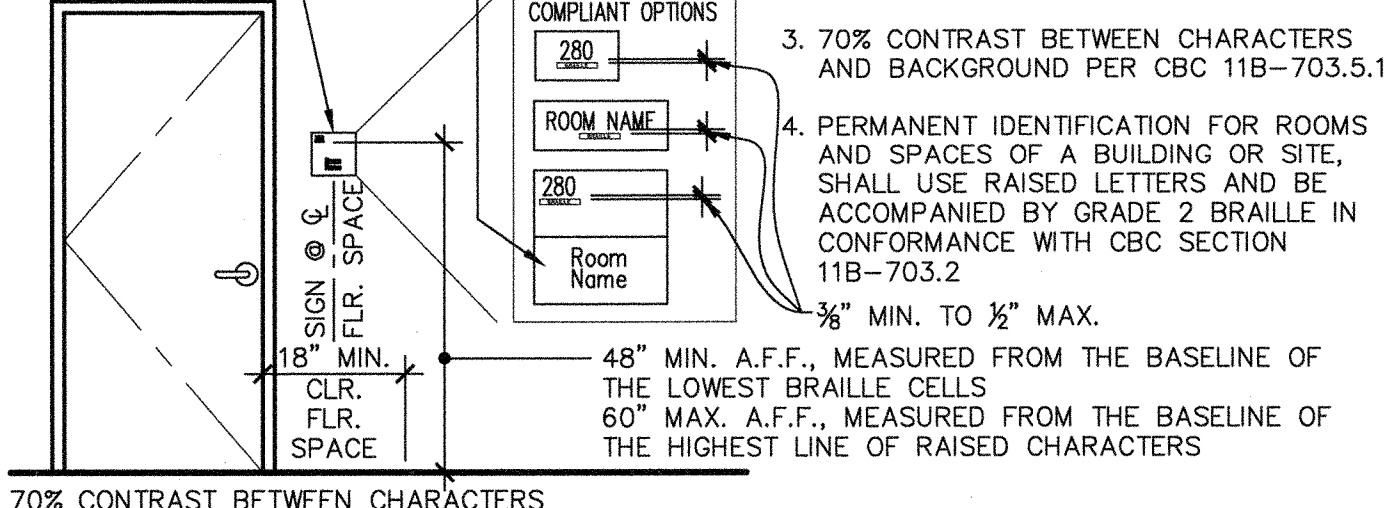
- NOTES:
- DOOR SIGNS TO BE CONSTRUCTED FROM 1/4" THICK PLASTIC OR HEAT STAMPED FIGURES. COLORS TO BE SELECTED BY ARCHITECT.
 - ATTACH SIGNS USING FOUR (4) FLATHEAD, STAINLESS STEEL, TAMPER PROOF SCREWS (COUNTERSUNK) AND ADHESIVE.
 - 70% CONTRAST BETWEEN CHARACTERS AND BACKGROUND PER CBC 11B-703.5.1.
 - ISA SYMBOL CAN ALSO BE PLACED ON DOOR. THE LOCATION IS NOT REGULATED.



BUILDING ENTRANCE/I.S.A. SIGNAGE

ADA100-01 SCALE: 1' = 1'-0"

- NOTES:
- DOOR SIGNS TO BE CONSTRUCTED FROM 1/4" THICK PLASTIC OR HEAT STAMPED FIGURES. COLORS TO BE SELECTED BY ARCHITECT.
 - ATTACH SIGNS USING FOUR (4) FLATHEAD, STAINLESS STEEL, TAMPER PROOF SCREWS (COUNTERSUNK) AND ADHESIVE.
 - 70% CONTRAST BETWEEN CHARACTERS AND BACKGROUND PER CBC 11B-703.5.1
 - PERMANENT IDENTIFICATION FOR ROOMS AND SPACES OF A BUILDING OR SITE, SHALL USE RAISED LETTERS OR BE ACCOMPANIED BY GRADE 2 BRAILLE IN CONFORMANCE WITH CBC SECTION 11B-703.2



4 ROOM ID SIGNAGE

A1.03 ADX100-01 SCALE: NO SCALE

Ownership of Documents
This document, the ideas and designs incorporated herein, as an instrument of Professional Service is the property of Integrated Designs by SOMAM Inc. and is not to be used, in whole or in part for any other project without written authorization. © COPYRIGHT 2015

integrated designs by SOMAM, Inc.
ARCHITECTURE · ENGINEERING · INTERIOR DESIGN · CONSTRUCTION MANAGEMENT
6011 N. Fremont, Suite 130 - Fresno, California 93710
Phone (559) 439-0881 Fax (559) 439-0887 E-Mail: design@somam.com
www.integrateddesigns.com

Issue Date: 06/07/16
Date: 06/07/16
Issue Date: 06/07/16
Date: 06/07/16
Issue Date: 06/07/16
Date: 06/07/16

Agency Approval Stamp:
FILE # 15-6
IDENTIFICATION STAMP
DIV. OF THE STATE ARCHITECT
OFFICE OF REGULATION SERVICES
117154
DATE JUN 20 2016

Stamp(s):
REGISTERED ARCHITECT
CURTIS E. WINT
No. C 28865
STATE OF CALIFORNIA

Job No.: **5223**

Sheet No.: **A1.03**

Release: -

G:\2016\rs16-5223 Washington Middle School\Sheets\A1.03 DETAILS.dwg RICHARD DELLANIN