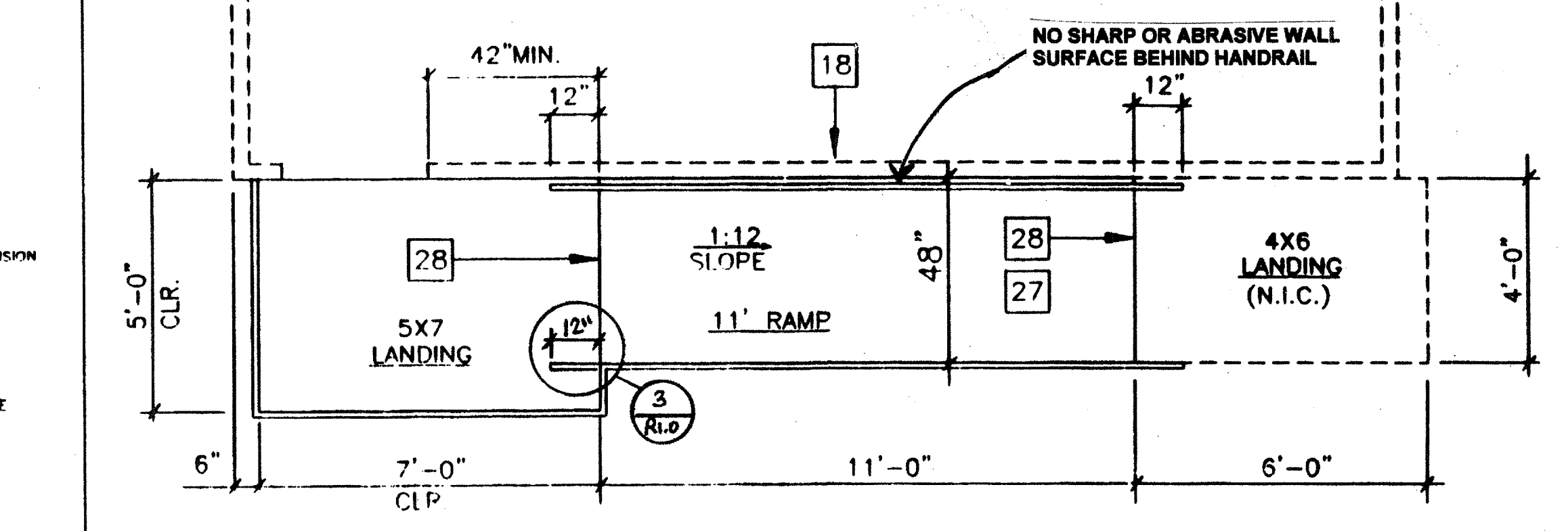
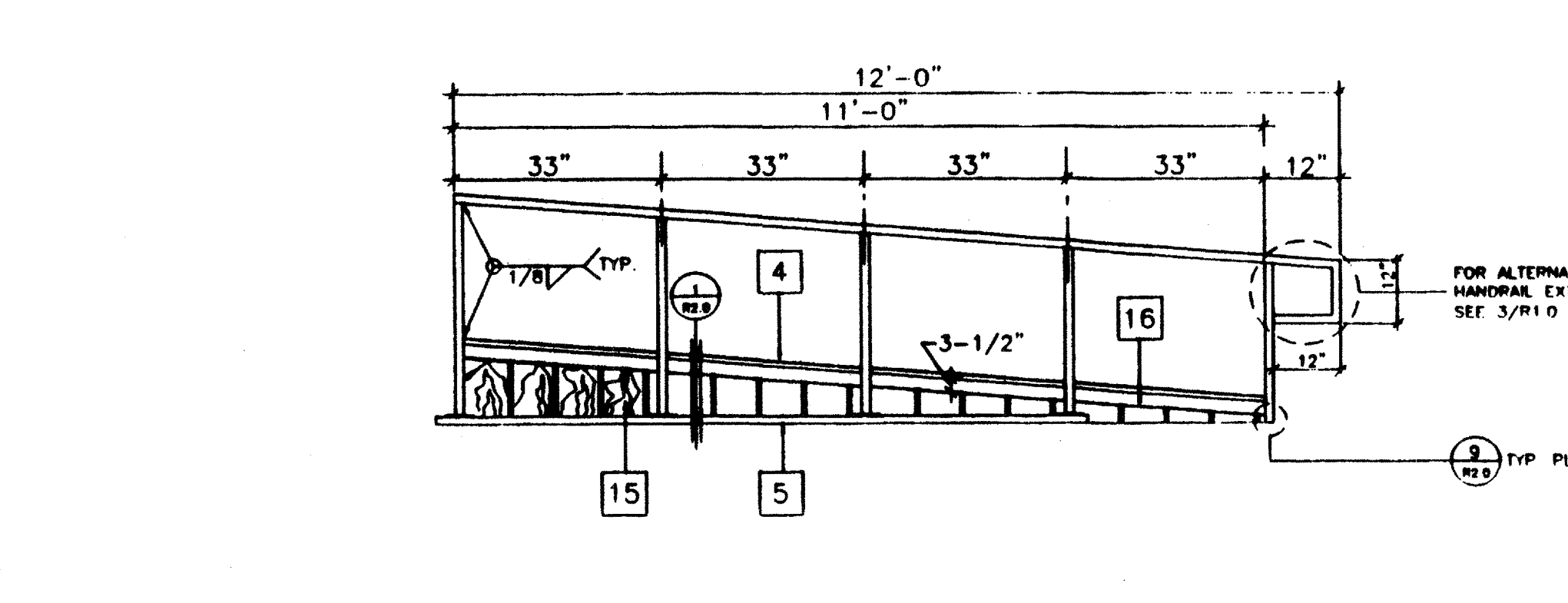
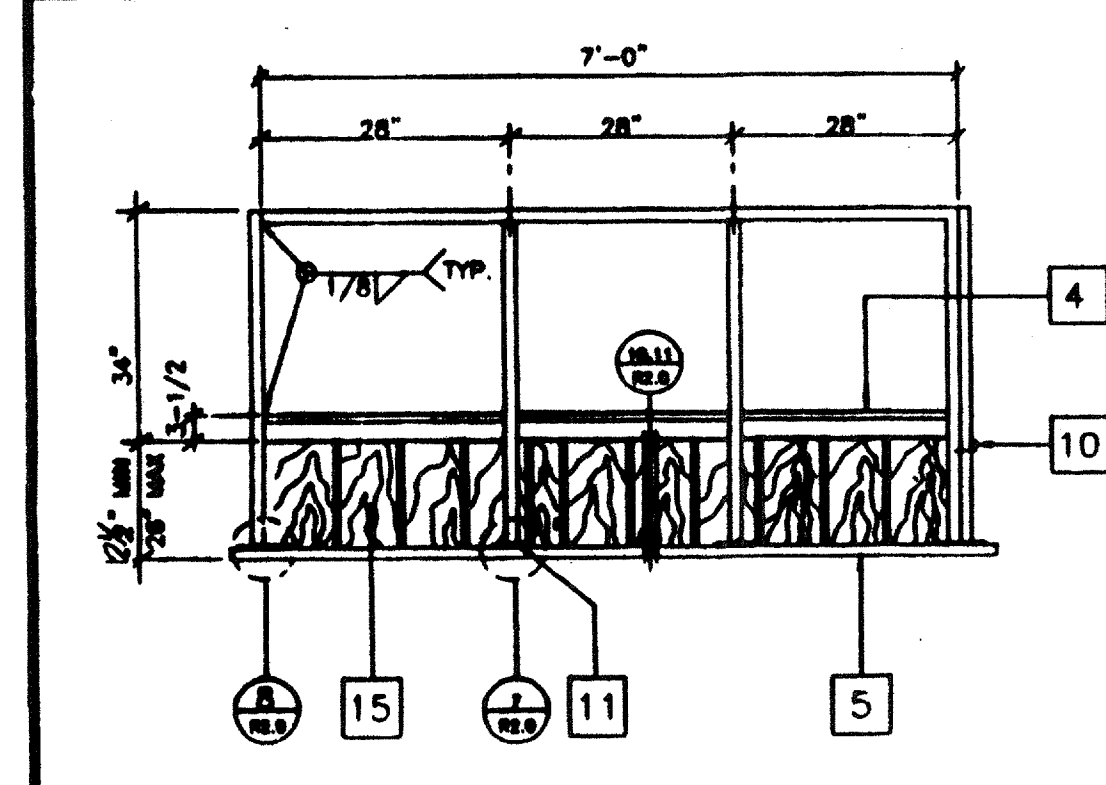


LANDING FRAME 12

RAMP FRAME 7

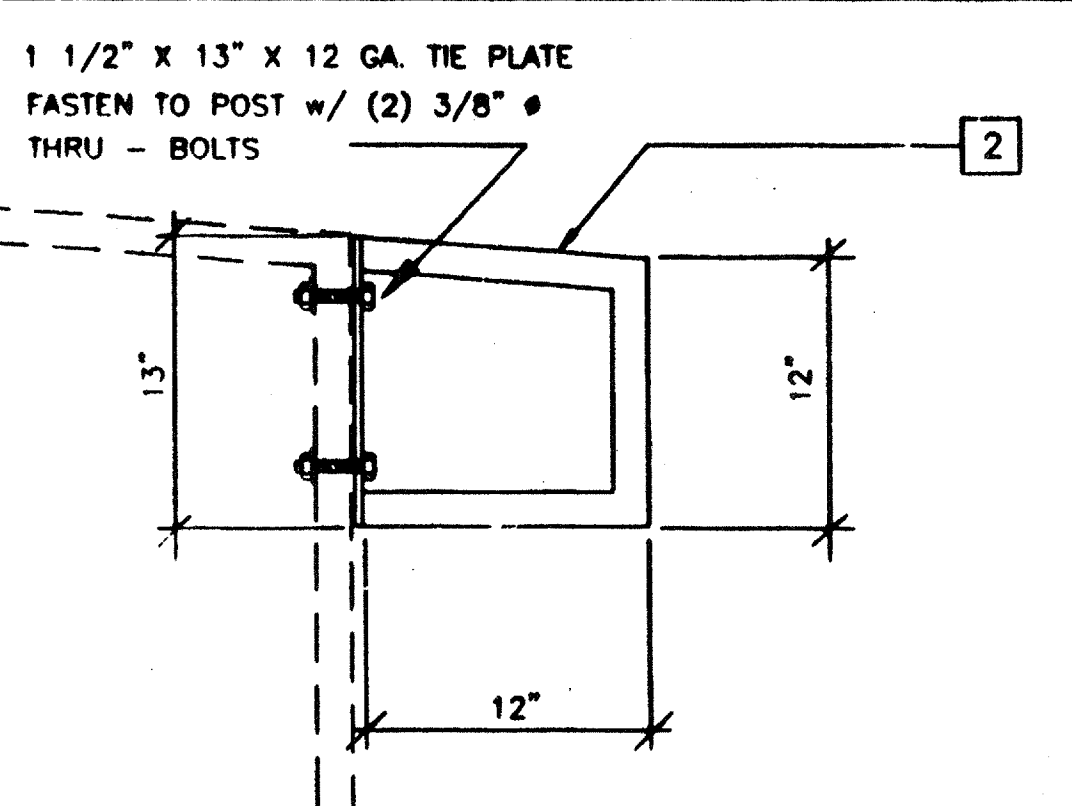
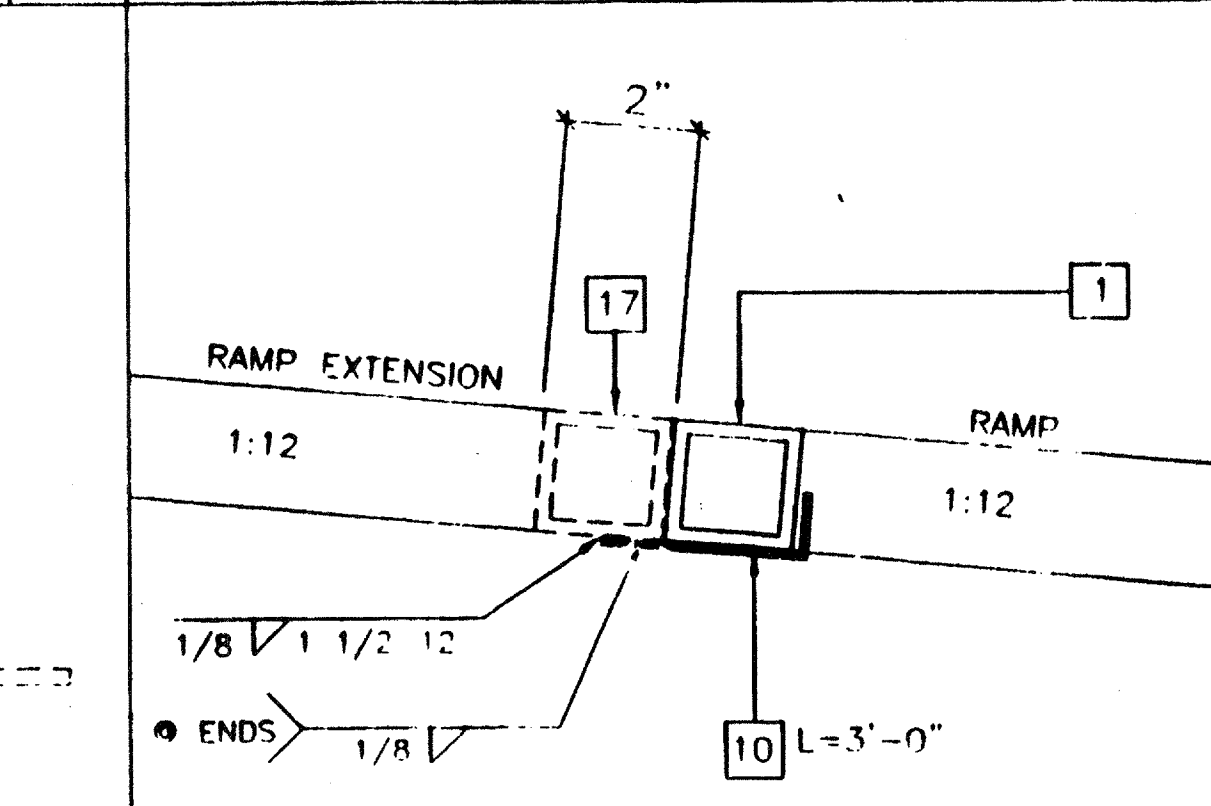
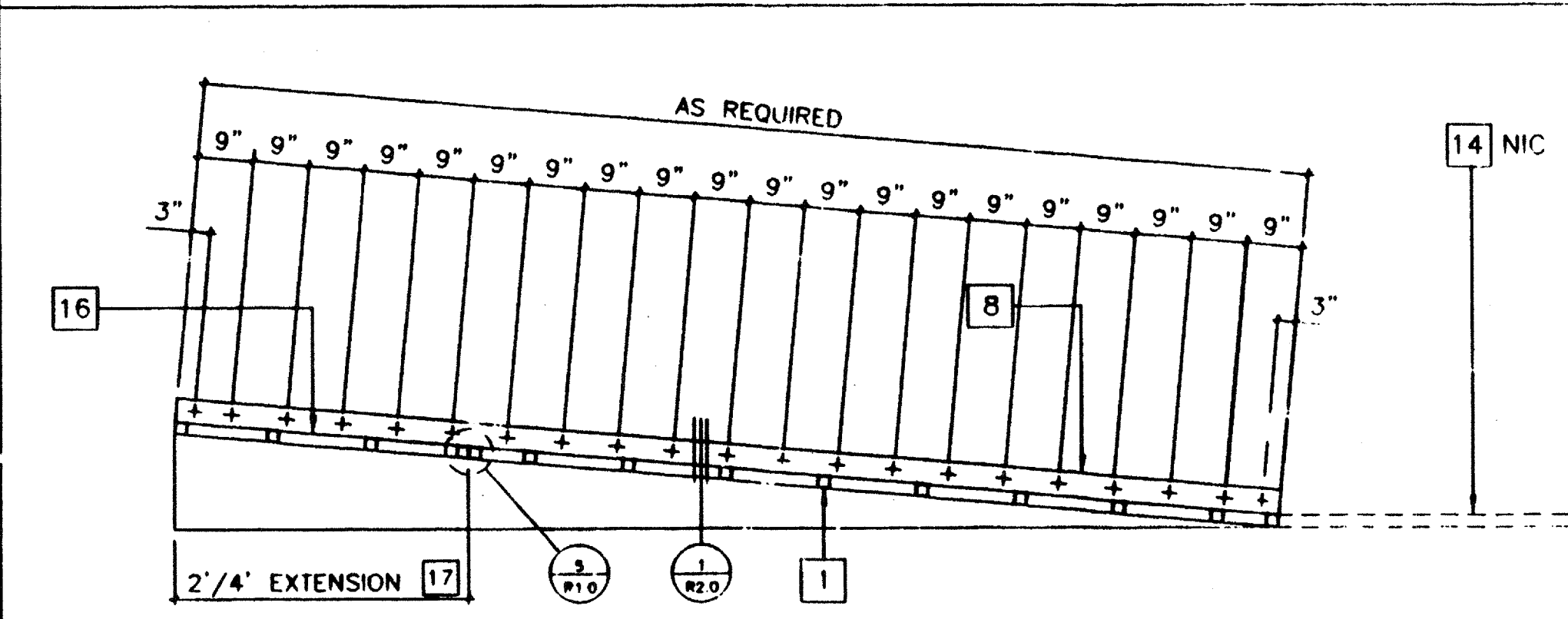
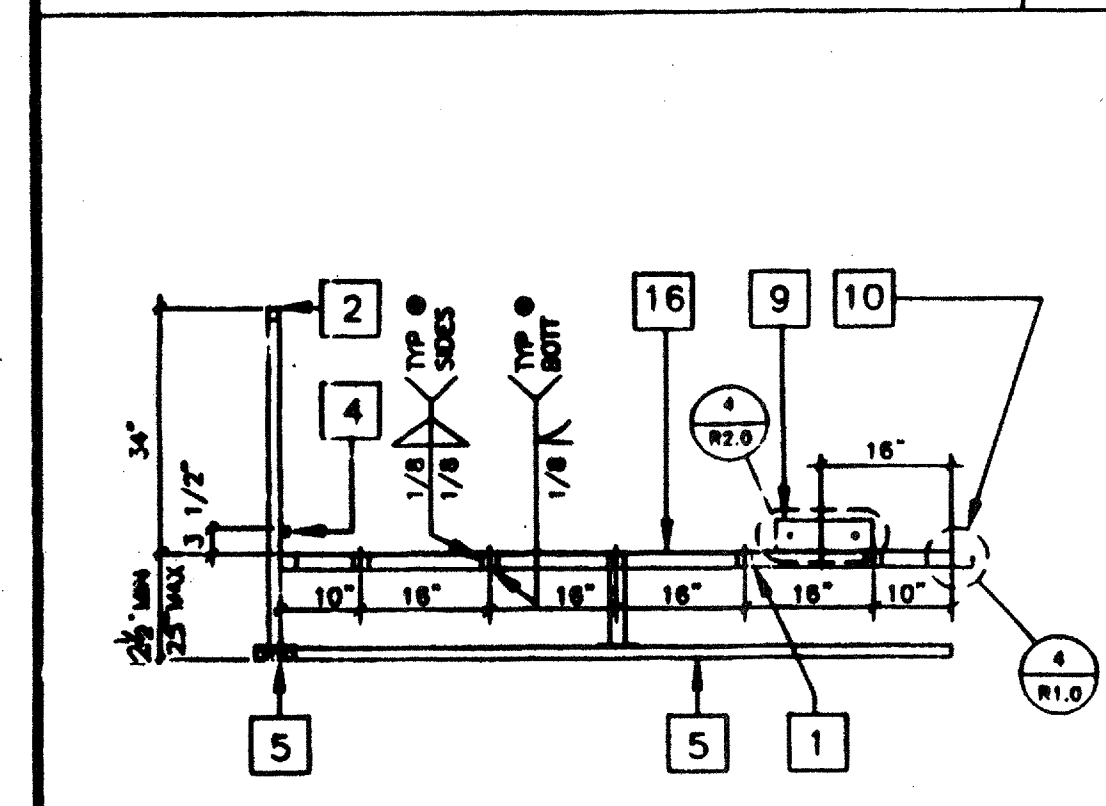
SILL PLAN FOR RAMP AND LANDING 3/8" 1



LANDING ELEVATION 13

RAMP ELEVATION 8

RAMP AND LANDING AT BUILDING 3/8" 2

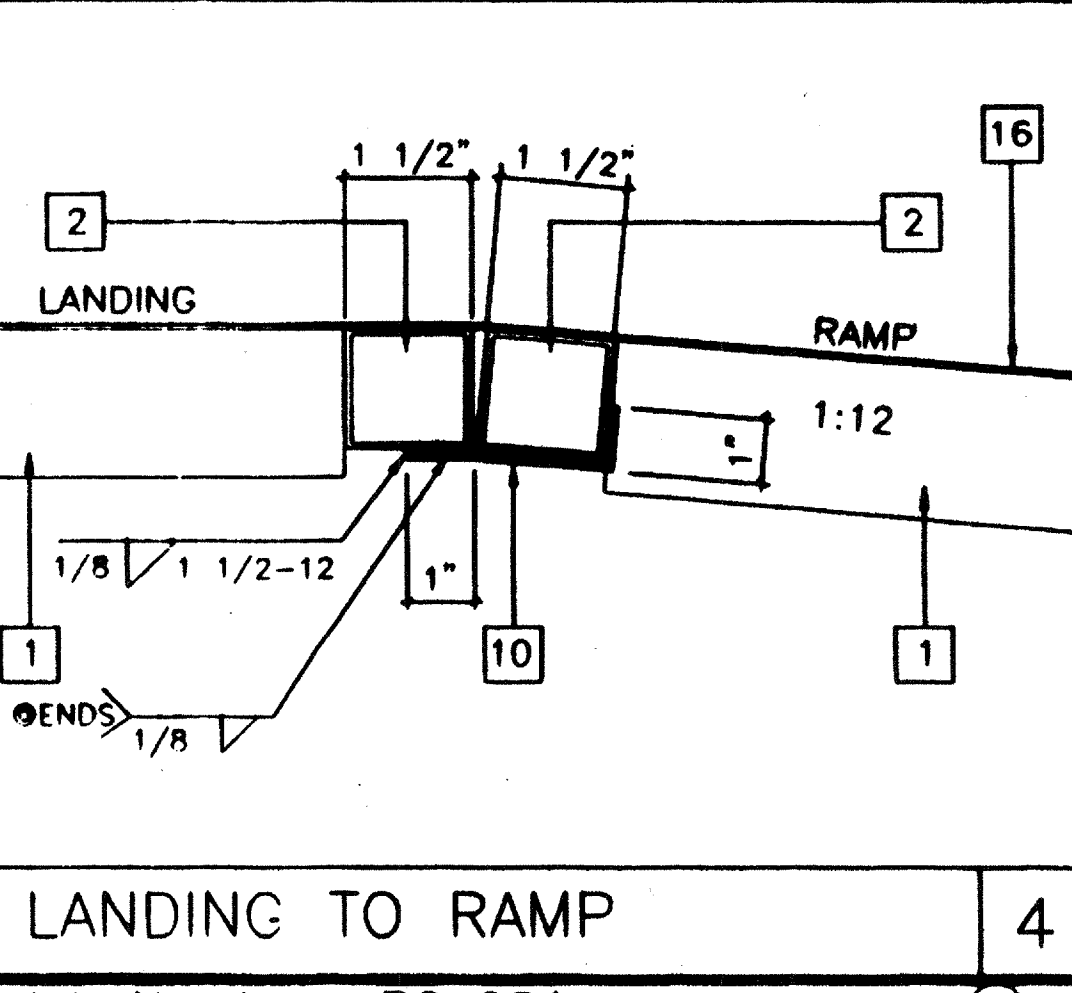
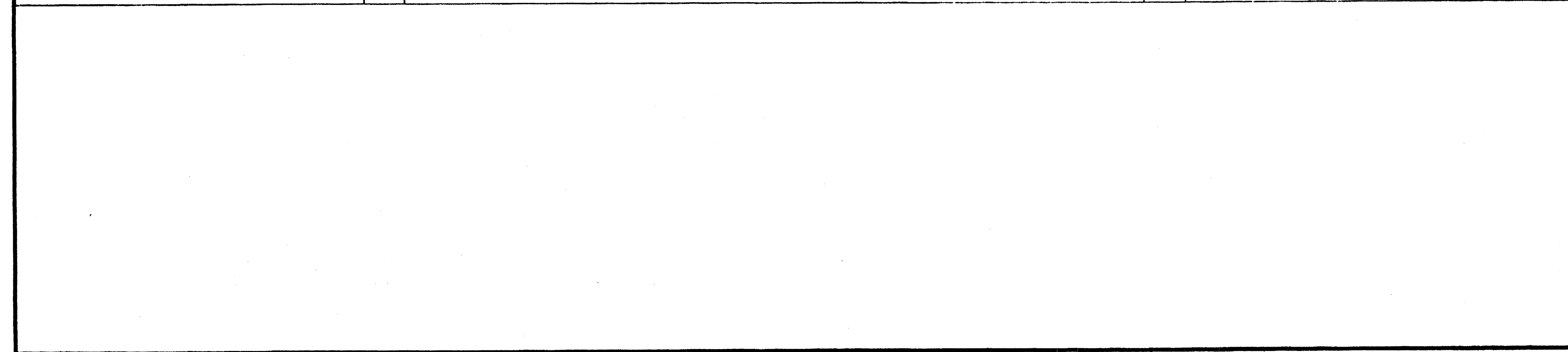


LONG. SECTION @ LANDING 14

LONGITUDINAL SECTION @ RAMP 9

RAMP EXTENSION TO RAMP 5

GUARD RAIL EXTENSION 3



LANDING TO RAMP 4

- ### KEY NOTES
- TS 2" x 2" x 14ga
 - TS 1 1/2" x 1 1/2" x 14ga (Fv = 39KSI)
 - TS 1" x 1" x 16ga WHEELCHAIR GUIDE
 - 2 x 6 PT SILL PLATE
 - 8" x 10ga CONT. PLATE W/ 1/4" x 2" TEK SCREWS @ 9" OC INTO WOOD OR FOUND. BLOCKS OR #14 x 2" TEK SCREWS INTO STEEL @ 9" OC
 - 6" x 12" x 10ga PLATE W/ 2-1/4" x 3" LAGS TO STRUCTURAL FRAME OF BUILDING
 - 3" x 1" x 3'-0" x 10ga BENT PLATE
 - 2" x 4" x 12ga BASE PLATE W/ 2-1/4" x 1" LAGS
 - 6" x 10" x 12ga BASE PLATE @ RAMP TOP
 - LINE OF RAMP/LANDING ABOVE
 - LOWER LANDING BY DISTRICT
 - SKIRTING: PLYWOOD TO MATCH BUILDING SIDING. BLOCK ALL EDGES. ATTACH W/ 6d @ 6" OC EDGES AND 12" OC FIELD. AT EDGE CONNECTION TO T.S. USE #14 x 2" TEK SCREWS @ 6" OC
 - 12ga METAL DECK: NON-SLIP SURFACE. DESIGN COEFFICIENT OF FRICTION GREATER THAN 0.6. MAINTAINABLE FOR 1 YR. RAMP EXTENSION FRAME.
 - EXISTING BUILDING.
 - RAMP BY MODTECH
 - FLUSH TRANSITION
 - NOTCH BOTTOM PLATE (MUD SILL) AS REQUIRED TO CLEAR RAMP TOE. MAX NOTCH 1 1/2" x 4'-0" LOW.
 - TS 1" x 1" x 16ga

NOTES

- RAMP: RAMP SHALL NOT SLOPE MORE THAN 1" IN 12"
- HANDRAILS: HANDRAILS AT BOTH SIDES OF RAMP AT 34" HT
- SURFACE: LANDING & RAMP TO HAVE NON SLIP SURFACE AMCOR GRIP II AS MANUFACTURED BY AMERICAN CHEMICAL COMPANY (OR FOUL)
- GROUNDING: PROVIDE GROUNDING OF RAMP TO BUILDING FRAME W/ #8 CU TO BOTH GROUND LUGS.
- ARCHITECT SITE / RAMP / LANDING PLANNING: DUE TO VARYING SITE CONDITIONS THE MAXIMUM HEIGHT OF FINISH FLOOR FROM GRADE IS 26" THEREFORE IT IS POSSIBLE THAT THE ACCESS RAMP ATTACHED TO THE BUILDING COULD BE 26'-0" AT A SLOPE OF 1:12 ARCHITECT MUST TAKE INTO ACCOUNT THAT THE RAMP SUPPLIED BY MODTECH INC. IS 11'-0" AT A SLOPE OF 1:12 THEREFORE THE ARCHITECT WILL HAVE TO DESIGN AND PROVIDE SUFFICIENT DETAILS OF RAMP EXTENSIONS AND BOTTOM LANDING DEPENDING ON PARTICULAR SITE CONDITIONS. IN NO WAY IS MODTECH INC. RESPONSIBLE FOR ANY RAMP EXTENSION EXCEEDING THE ORIGINAL PLAN AS SHOWN ON SHEET R-1.
- ALL 1 1/4" AND 1 1/2" TUBE STEEL TO BE OF ASTM A500, GRADE A STEEL (Fy = 39 KSI)

REVISIONS	Electrical Engineer's Seal	Mechanical Engineer's Seal	Structural Engineer's Seal	Architect's Seal

IDENTIFICATION STAMP
DIV. OF THE STATE ARCHITECT
OFFICE OF REGULATION SERVICES

PC 284

AC 175
DATE MAY 6 1998

REVISED

MODTECH INC.

2830 BARRETT AVENUE
PERRIS, CALIF. 92572

PH (909) 943-4014
FAX (909) 940-0427

Job Number: PC 284

© MODTECH, INC. 1997

drawn by FWH
date 11/98

checked by
date

Modtech project no.
MODTECH Index No.

4012-081
CLS.036

DATE 11/98

RAMP / LANDING

R1.0