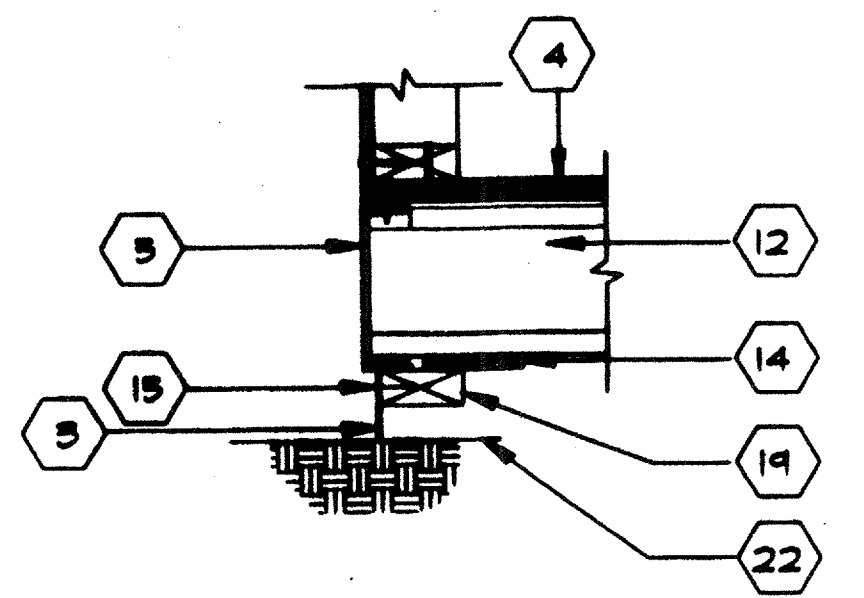
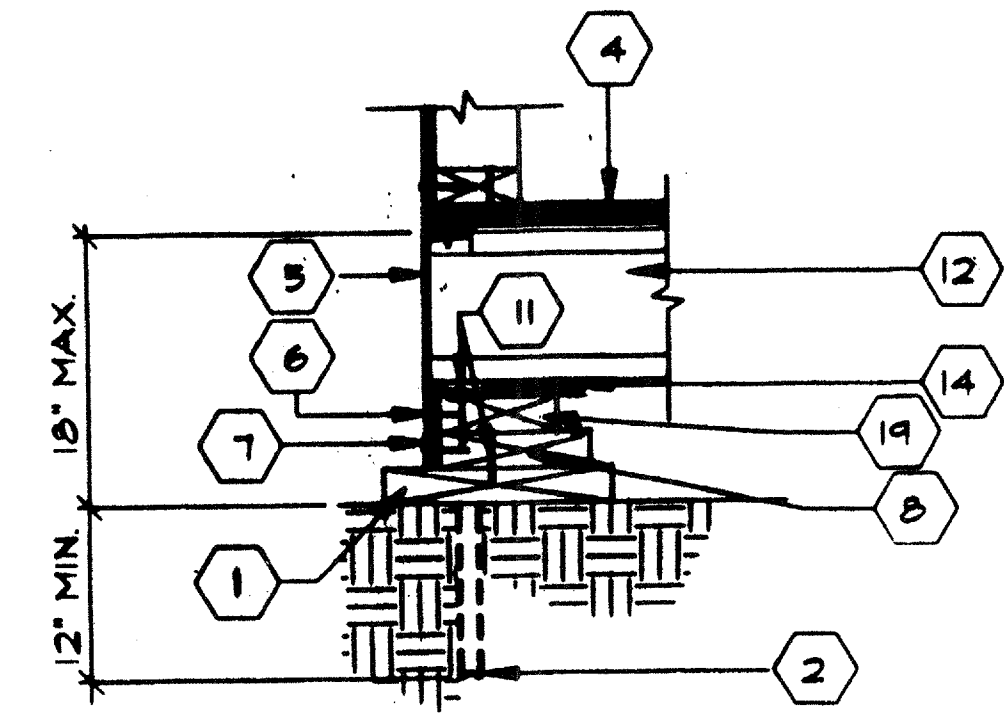


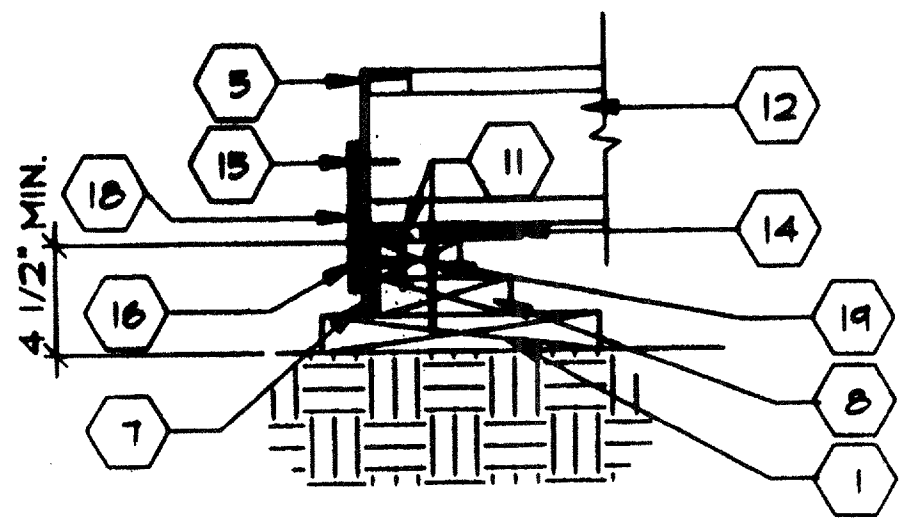
1 PERIMETER FD. SIDE WALL
SCALE 1/8"=1'-0"



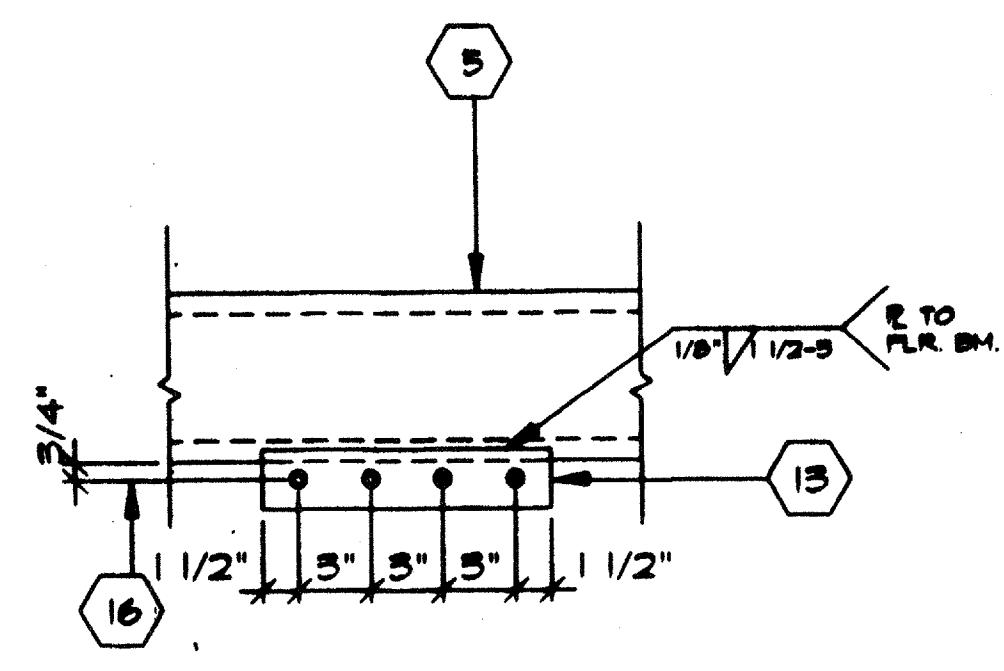
2 FOUNDATION VENT
SCALE 1/8"=1'-0"



3 PERIMETER FD. END WALL
SCALE 1/8"=1'-0"

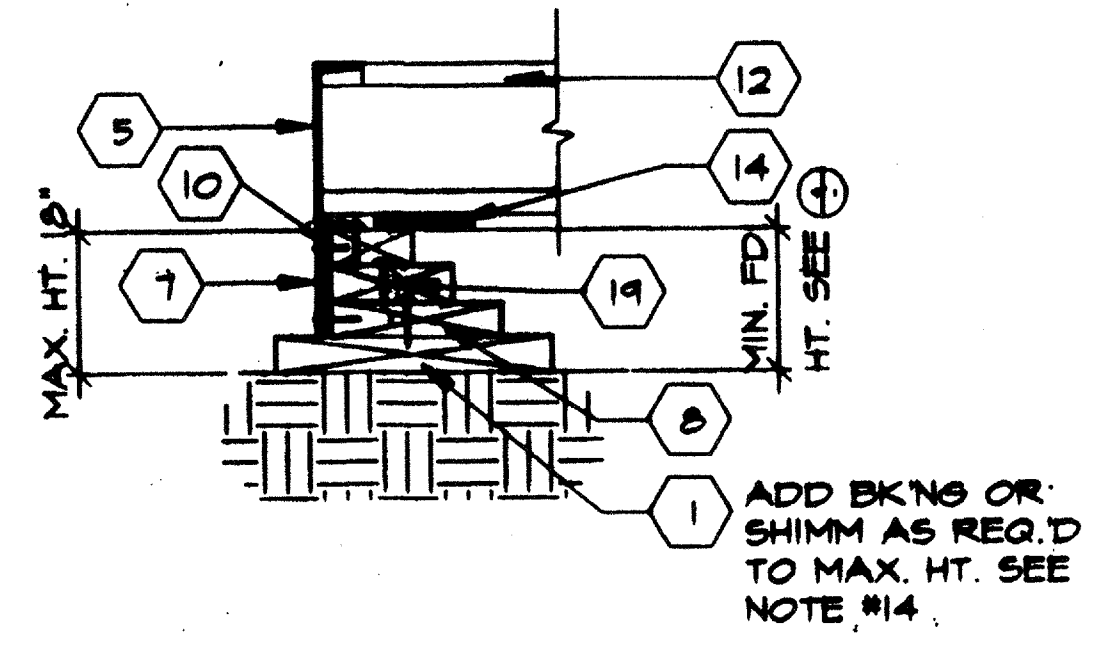


4 TYPICAL HOLD-DOWN
SCALE 1/8"=1'-0"

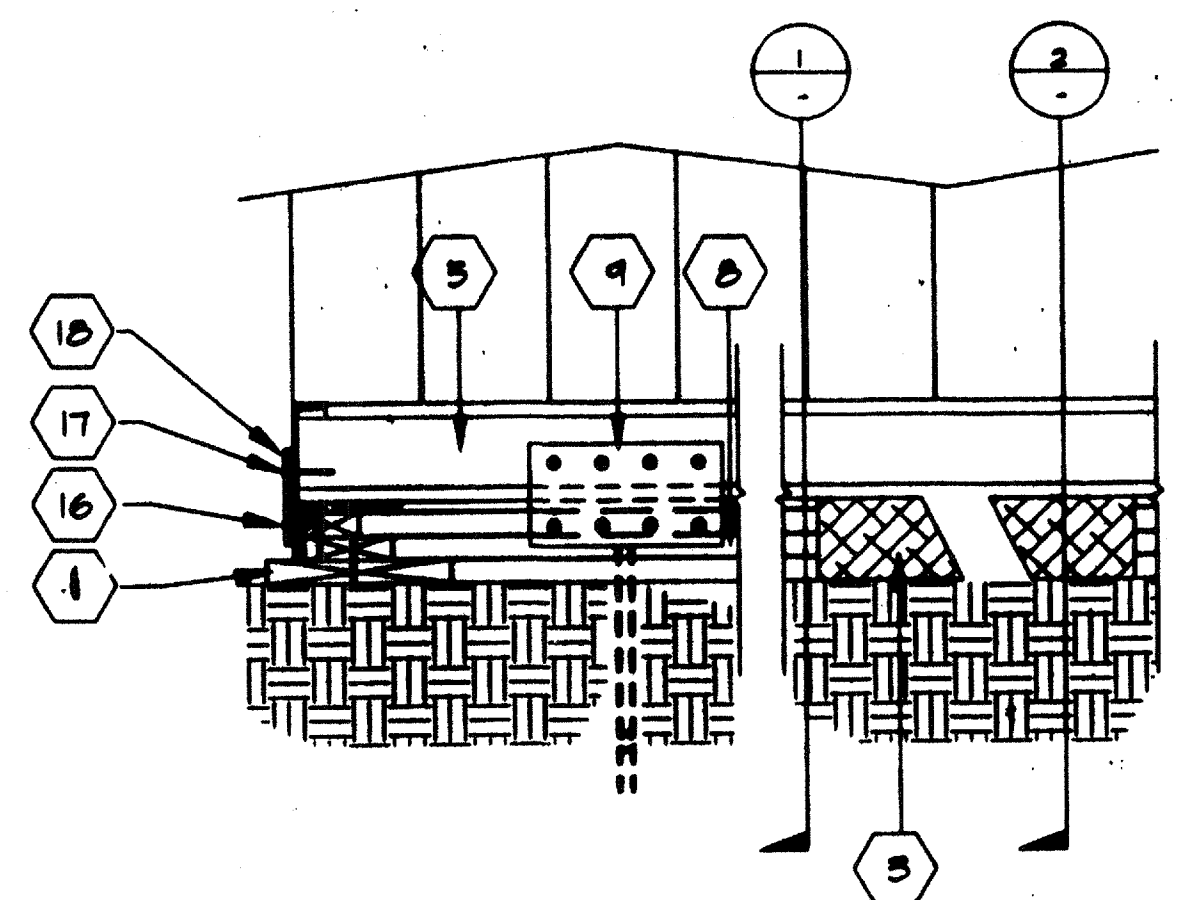


5 ALTERNATE HOLD-DOWN
SCALE 1/8"=1'-0"

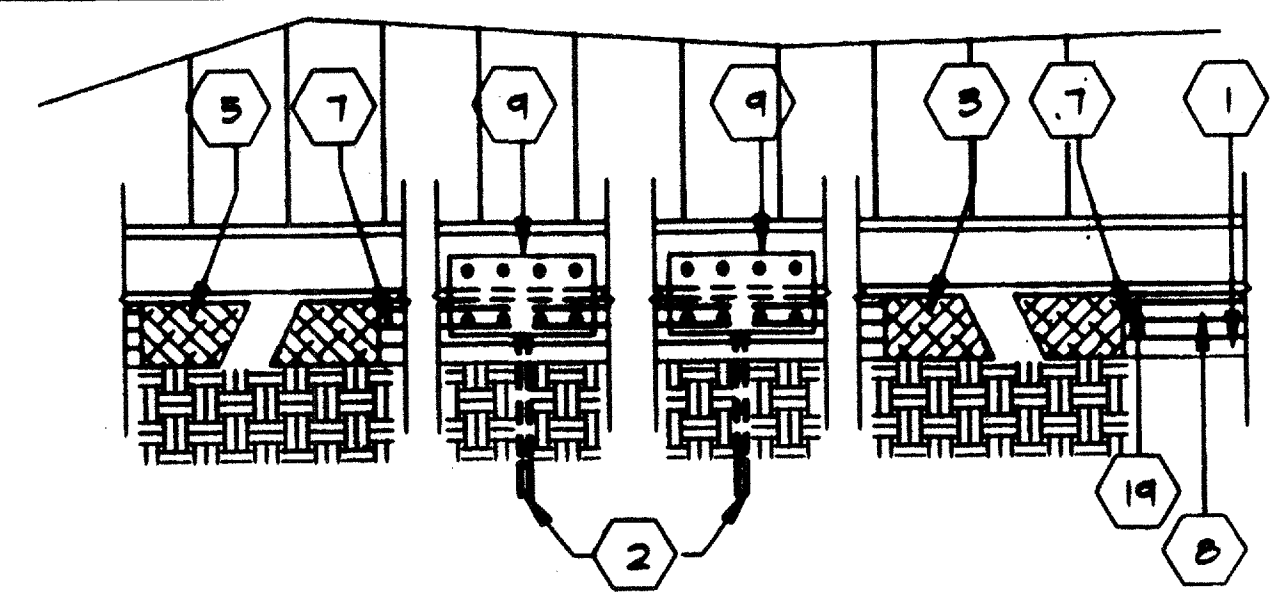
NOTE:
SIDE WALL SHOWN



6 FOUNDATION MAX. HEIGHT
SCALE 1/8"=1'-0"



7 DETAIL OF FOUNDATION CORNER
SCALE 1/8"=1'-0"

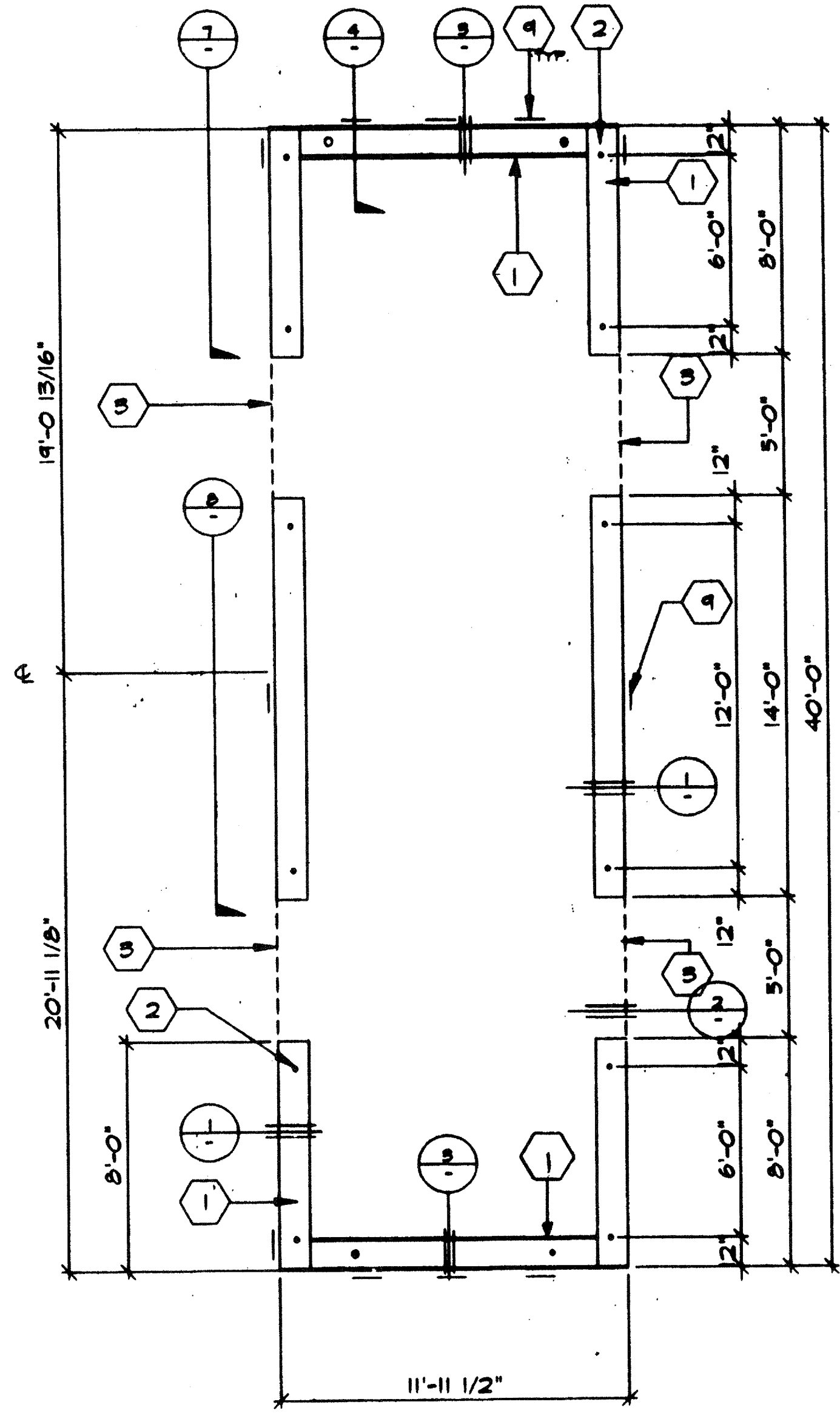


8 FOUNDATION ELEVATION SIDEWALL
SCALE 1/8"=1'-0"

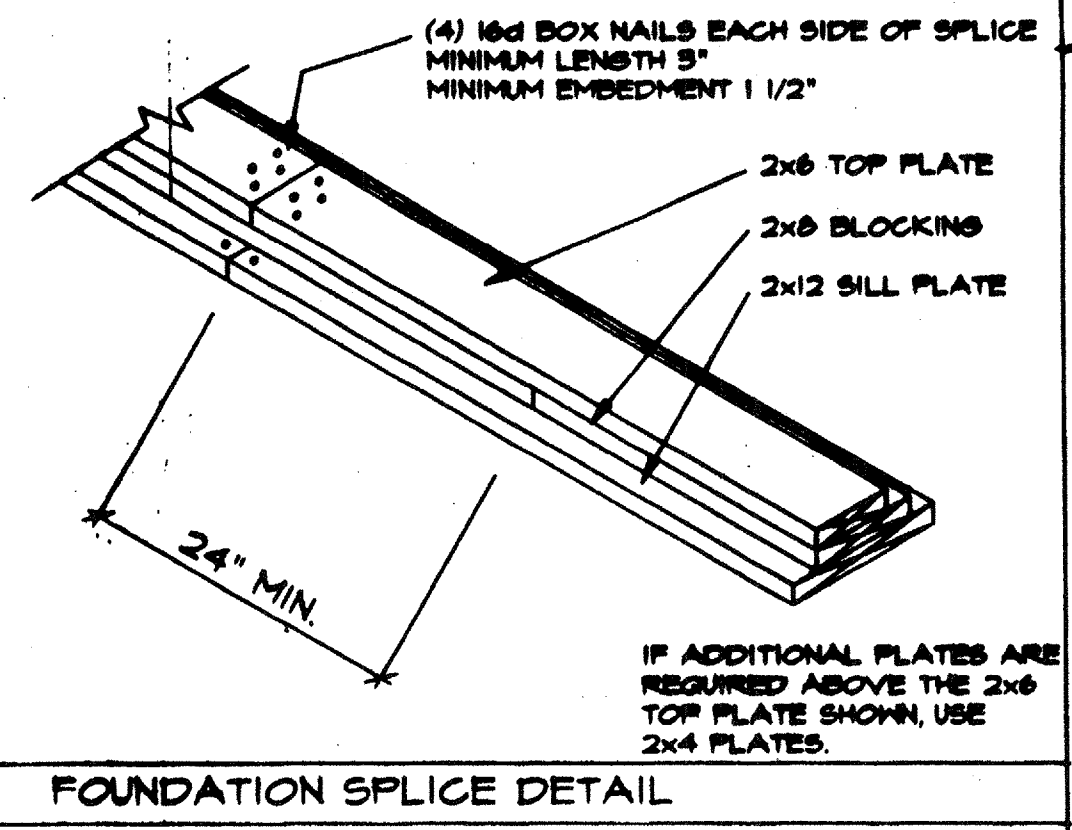
VENTING REQUIREMENTS	
SIZE OF BUILDING	12' X 40'
TOTAL SQ. FT. OF BLD'G(S)	480
NO. OF BUILDINGS	1
U.B.C. SECT. 2316 (c) (6)	480/
DIVIDE TOT. SQ.FT./150	150
REQ'D VENTING SQ.FT.	32

TYPE "C" (SIDEWALLS) 3" X 60" 180 SQ. IN / 144 = 125 SQ.FT.

SIZE OF BUILDINGS	12' X 40'
REQ'D VENTING SQ.FT.	32
VENTING PROVIDED	(4) "C"
1.25 SQ. FT. X 4 VENTS	5 SQ. FT.
OK	5 > 3.2

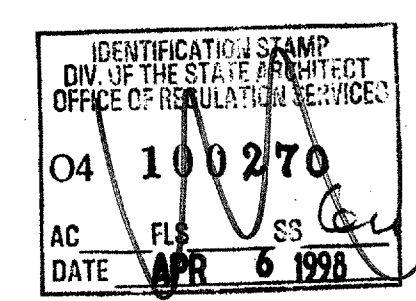


FOUNDATION (WOOD SILL)
SCALE 1/4"=1'-0"



"MACHINE APPLIED 16d FASTENERS SHALL HAVE AN EMBEDMENT OF NOT LESS THAN 1 1/2" INTO SECOND MEMBER, AND SHALL BE NOT LESS THAN 3" IN OVERALL LENGTH"

THE ABOVE NAILS SHALL ALSO BE ACCEPTABLE FOR HAND NAILING, PROVIDED THE REQUIRED EMBEDMENT IS MAINTAINED.



NOTE:
TOP PLATE TO BE CONTINUOUS

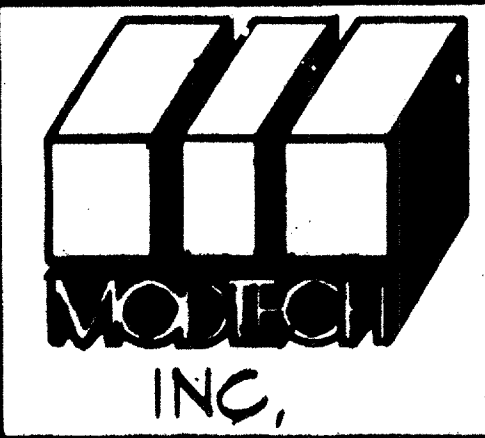
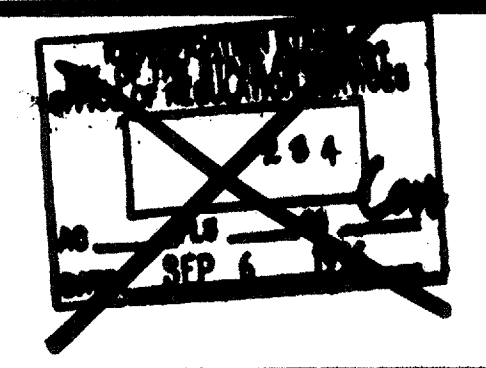
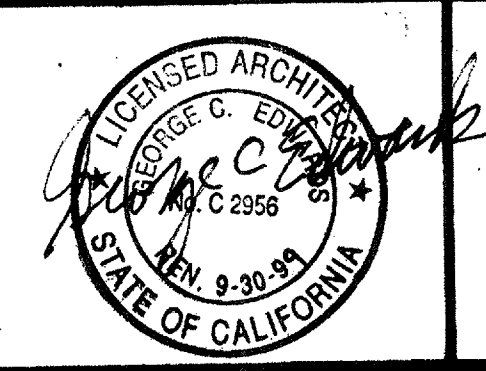
KEY NOTES

- 1 2"x12" SILL PLATE (SEE FOUND.)
- 2 SILL RESTRAINT 1" Ø PIPE (SEE FOUNDATION PLAN FOR LOCATION)
- 3 VENT MIN. 3"x5'-0" TYPICAL EXPANDED METAL MESH PRIME PAINTED
- 4 PLYWOOD FLOOR SHEATHING
- 5 FLOOR FRAMING BEAM
- 6 EN (EDGE NAIL SEE NOTE #7)
- 7 EN ATTACH 5/8" EXT. PLY'WD W/10 STMS OR AREOSMITH 6" Ø SIDENALL 4" Ø ENDWALL TO STEEL CHANNEL AND 10d BOX Ø 6" O.C. 4 4" O.C. TO WD. PLATE AT VENT ATTACH SKIRTF Ø12" O.C. TOP AND BOTTOM
- 8 2 X 8 PLATE
- 9 6"x12"x10GA. PLATE W/4 - #10 STMS TO FLOOR 4 4 - 1/4"x3" LAG TO FOUNDATION TOP PLATE TYPICAL 12 PLACES
- 10 2 X 4 BLOCKING
- 11 16d BOX Ø 9" O.C. AT SIDEWALLS AND 6" O.C. AT ENDWALLS
- 12 FLOOR JOIST
- 13 2 1/2"x12"x10GA. PLATE
- 14 5/8" SHIM CONT.
- 15 10d ELECTROGAL BOX NAIL Ø MAX. 4" O.C.
- 16 1/4" Øx3" LAB BOLT TYP. 4 PER PLATE
- 17 #10x3/4" STS TYP. 4 PER PLATE
- 18 6"x12"x10GA. PLATE
- 19 2x6 TOP PLATE W/16d FACE NAIL NAIL TO BKNG Ø MAX. 12" O.C.
- 20 2 X 6 SILL PLATE
- 21 2-16d BOX NAILS PLATE TO PLATE Ø 6" O.C. TYP. AT INTERIOR WALL
- 22 FINISH GRADE

GENERAL NOTES

- A. SILL RESTRAINT: ON A.C. PAVING AND ON SOIL 1" O.D. GALVANIZED PIPE AT 10'-0" 12" PENETRATION BELOW SURFACE VERTICALLY. DRILL SILL 1-1/4" MAX. PIPE MAY BE DRIVEN MAX. OF 45° ANGLE TO VERTICAL. (18-1/2" LONG PIPE REQUIRED FOR PENETRATION AT 45° ANGLE.)
- B. ON CONCRETE PAVING HILTI DS 82-PIØ THRU SILL PLATE: END WALLS: 7" O.C. SIDE WALLS: 19" O.C. INTERIOR WALL 3 1/2" O.C.
- C. WHERE SHIM STOCK IS REQUIRED FOR LEVELING USE 1/4", 1/2", OR 3/4" THICK PLYWOOD SAME WIDTH AS BLOCK. P.T.
- D. VERIFY DRAINAGE TO PREVENT WATER FROM PONDING BENEATH THE STRUCTURE WITH DISTRICT ARCHITECT SITE PLANS
- E. ALL FOUNDATION MATERIAL SHALL BE PRESSURE TREATED D.F. GROUND CONTACT: LP-22 (CCA .42) ABOVE GROUND: LR-2 (CCA .25)

ARCHITECT ELECTRICAL STRUCTURAL MECHANICAL FIRE MARSHAL ACCESS COMPLIANCE STRUCTURAL SAFETY



JOB # 2724 # 2318-C ANAHEIM UH8.D. (CLASS LEASING)

MODTECH INC. 1993
4012-081
CLLS.086

DRAWN BY DATE CHECKED BY DATE

FOUNDATION (WOOD) F2.0