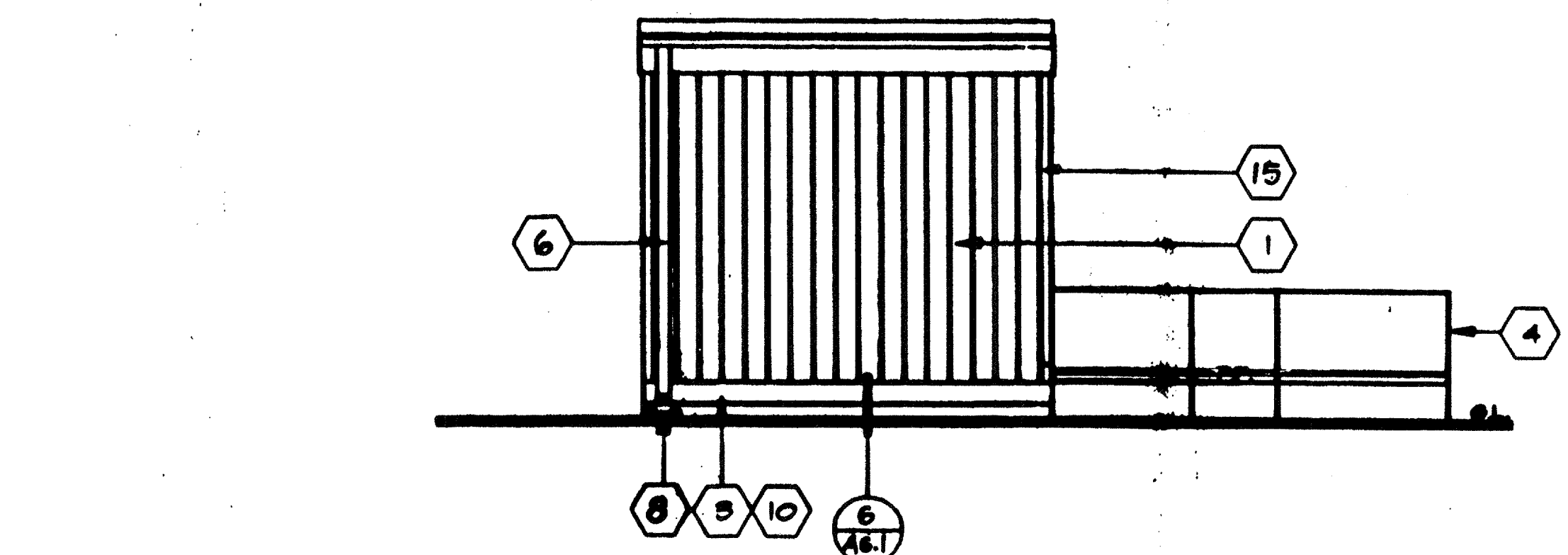


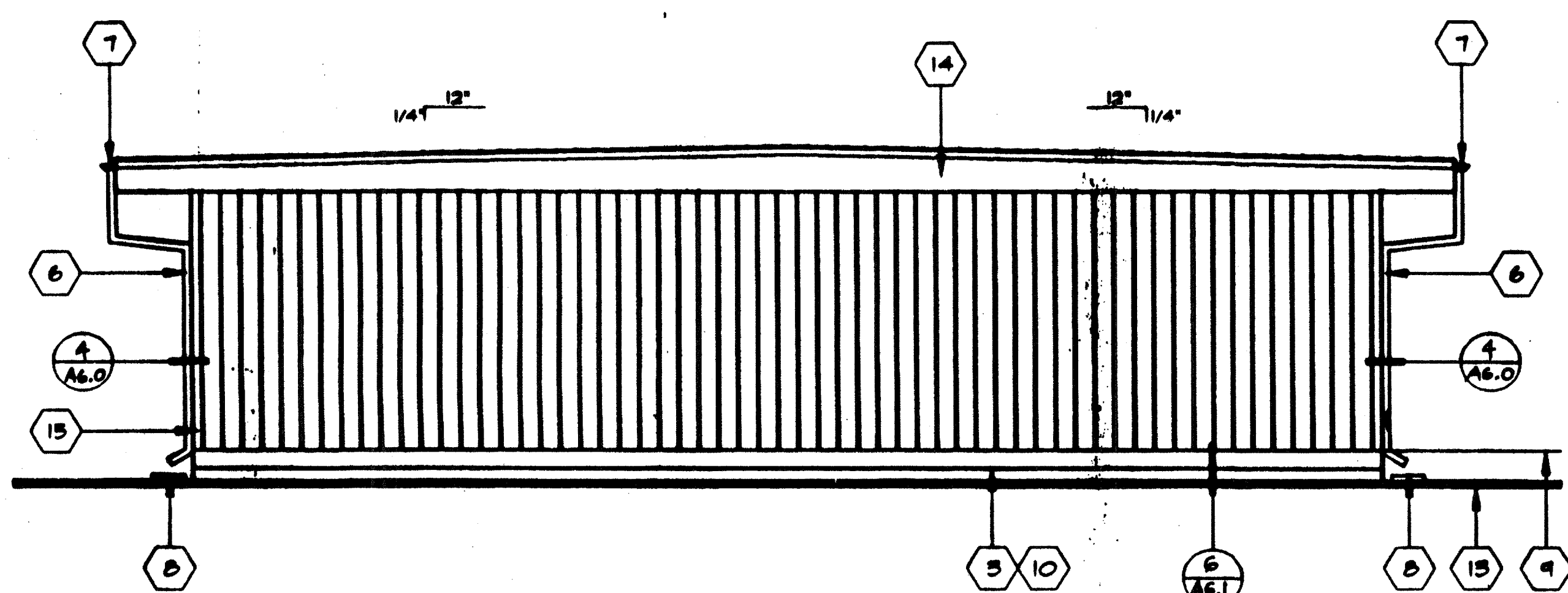
1 FRONT ELEVATION

SCALE 1/4" = 1'-0"



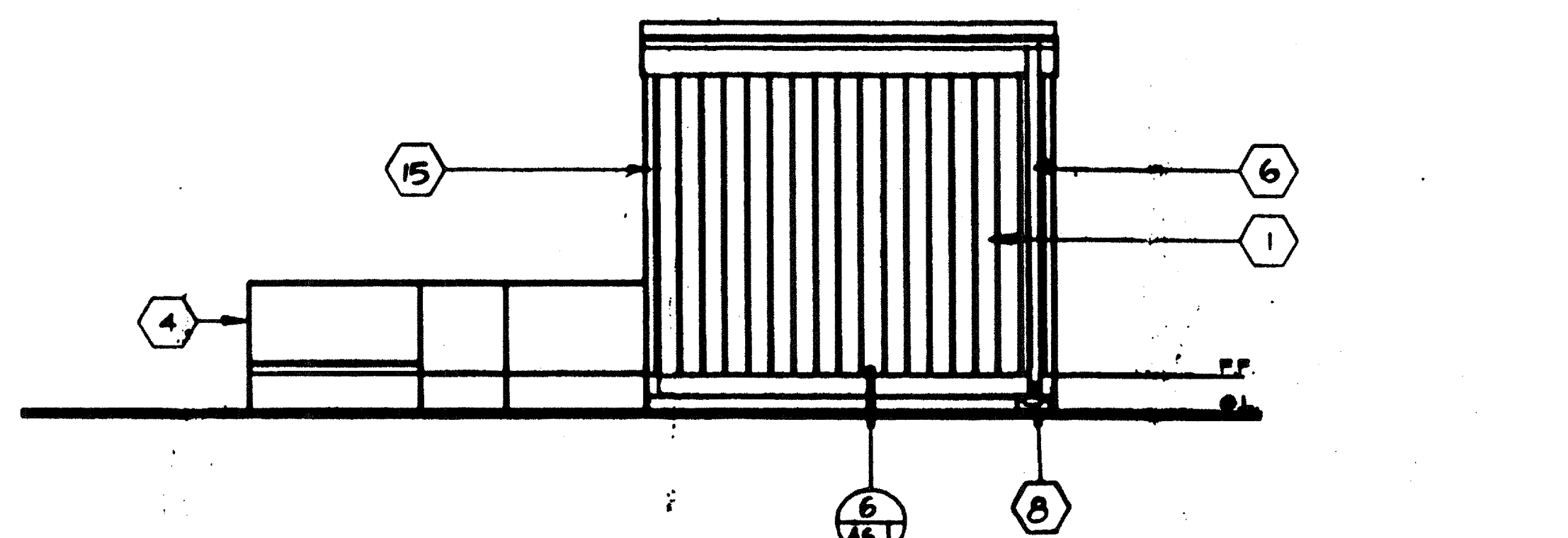
2 SIDE ELEVATION

SCALE 1/4" = 1'-0"



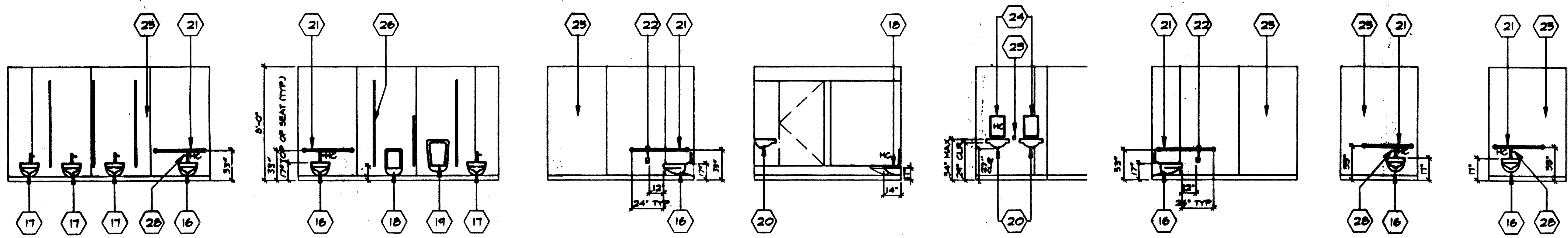
3 REAR ELEVATION

SCALE 1/4" = 1'-0"



4 SIDE ELEVATION

SCALE 1/4" = 1'-0"



INTERIOR/EXTERIOR ELEVATIONS

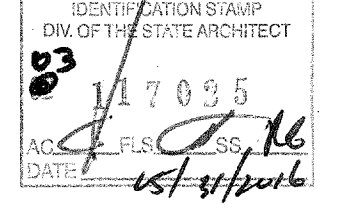
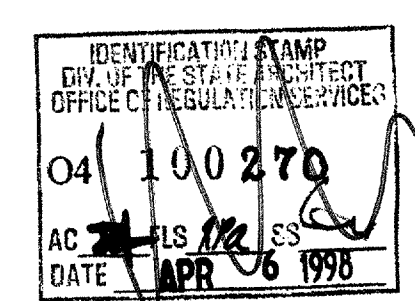
SCALE 1/4" = 1'-0"

KEY NOTES

- 1 TYPICAL EXTERIOR SIDING (SEE FINISH SCHEDULE)
- 2 EXTERIOR LIGHT FIXTURE (SEE SPECIFICATION)
- 3 TOP OF SKIRTING
- 4 RAMP AND LANDING (SEE SHT. R1.0 & R2.0)
- 5 4x J BOX FOR FA FULL BOX
- 6 DOWNSPOUT (TYP.) FASTEN TO BLDG. TYP. 3 PLACES (SEE SHT. 1/54-2)
- 7 CONTINUOUS GUTTER WITH DOWNSPOUT. (LOCATION OF DOWNSPOUT SHOWN ON ROOF PLAN A1.2)
- 8 SPLASH BLOCK (BY OTHERS)
- 9 FINISH FLOOR LINE
- 10 BOTTOM OF FLOOR BEAM
- 11 4x J BOX FOR FA HORN
- 12 NOT USED
- 13 NOT USED
- 14 ROOF BEAM (SEE STRUCTURAL)
- 15 COLUMN (SEE STRUCTURAL)
- 16 ACCESSIBLE WATER CLOSET (SEE SHT. P1.0)
- 17 STANDARD WATER CLOSET (SEE SHT. P1.0)
- 18 ACCESSIBLE URINAL (SEE SHT. P1.0)
- 19 STANDARD URINAL (SEE SHT. P1.0)
- 20 LAVATORY (SEE SHT. P1.0)
- 21 GRAB BAR (SEE SHT. P1.0)
- 22 TOILET PAPER DISPENSER (SEE SHT. P1.0)
- 23 SOAP DISPENSER (SEE SHT. P1.0, N.I.C.)
- 24 MIRROR, SEE SHT. P1.0
- 25 TYPICAL INTERIOR FINISH
- 26 PARTITION
- 27 NOT USED
- 28 FLUSH VALVE AT WIDE SIDE OF STALL

NOTES:

- 1. SEE FOUNDATION PLAN FOR SIZE AND LOCATION OF VENTS.
- 2. ALL DIMENSIONS SHOWN ARE FOR REFERENCE. SEE CHART ON SHT. A4.0 FOR HEIGHTS & CLEARANCES PER PROJECT



Signature: [Handwritten Signature] 2/11/98

ARCHITECT	ELECTRICAL	STRUCTURAL	MECHANICAL	FIRE MARSHAL	ACCESS COMPLIANCE	STRUCTURAL SAFETY

JOB # 2315-C
 ANAHEIM U.H.S.D.
 (CLASS LEASING)

MODTECH INC. 1995

OPTION 10 4012-081
 CLLS.036

INC.

INTERIOR / EXTERIOR ELEVATIONS

A2.2