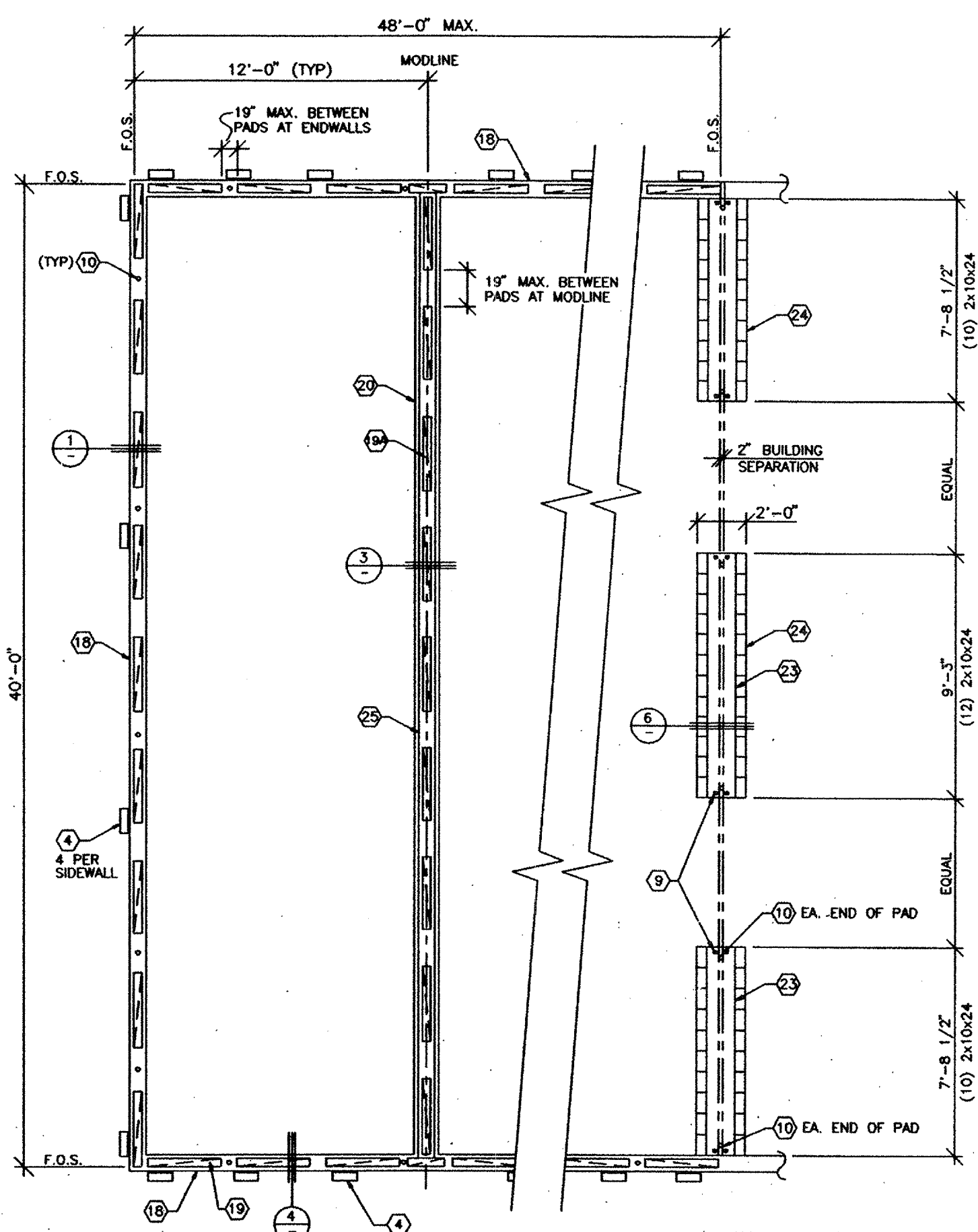


MULTI-WIDE FOUNDATION PLAN (N.T.S.)
50 P.S.F. FLOOR LIVE LOAD
20 PSF ROOF LOAD



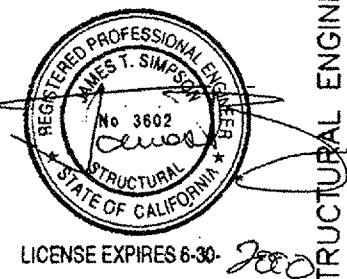
FOUNDATION PLAN @ ADJACENT BUILDING (N.T.S.)
50 P.S.F. FLOOR LIVE LOAD
20 PSF ROOF LOAD

KEYNOTES

- MAXIMUM SOIL BEARING PRESSURE - 1000 PSF.
- ALL FOUNDATION LUMBER SHALL BE H.F. #2 ALL LUMBER IN CONTACT WITH GRADE SHALL BE STAMPED "FOR GROUND CONTACT"
- ALL FOUNDATION NAILS SHALL BE CORROSION RESISTANT PER U.B.C. STANDARD 25. 1717.
- 2X4 CONTINUOUS. INTERVAL TO EACH PAD WITH 16d BOX NAILS @ 5' O.C. STAGGERED.
- 5/8" PLYWOOD PERIMETER SKIRTING. NAIL TO FOUNDATION PADS WITH 8d BOX NAILS @ 12" O.C. TOP AND BOTTOM.
- NOT USED.
- TAPERED SHIMS - NAIL TO FOUNDATION PADS WITH 16d BOX NAILS @ 12" O.C. NAIL 2X12 FOUNDATION PLATE TO TAPERED SHIMS WITH 16d BOX NAILS @ 12" O.C. STAGGERED ALONG EACH TAPERED SHIM (PER SLOPE OF GROUND AT SITE)
- PLYWOOD OR WOOD SHIM - MIN. 8" LONG, MAX. 16" BETWEEN SHIMS. NAIL TO PLATES WITH MIN. (3) 16d BOX NAILS PER SHIM MAX. 1-1/2" SHIM HEIGHT AT ANY LOCATION.
- 1 1/16" HOLE IN PURLIN FOR 5/8" X 4" LAG BOLT (SEE SCHEDULE 1 FOR AMOUNT)
- DRIVE 1" DIA. X 15" G.I. PIPE @ 10'-0" O.C. MAX. DRILL SILL PLATE 1-1/4" MAX. PIPE MAY BE DRIVEN AT MAX. 45 ANGLE TO VERTICAL.
- 7"x9.8# STEEL FLOOR CHANNEL.
- 5/8" MACHINE BOLT @ MODULE CONNECTION.
- PLYWOOD FLOOR DECK. ATTACH PLYWOOD FLOORING TO STEEL CHANNEL WITH #10 X 1 1/2 S.T.S.
- CONTINUOUS 2X8 P.I.H.F. SILL PLATE. PLATE SPLICES SHALL OCCUR AT CENTER OF 2X4 BLOCK LOCATION
- 2X4X3'-0" LONG BLOCKS. NAIL BLOCKS TOGETHER WITH 16d BOX NAILS @ 4" O.C. AND (2) 16d NAILS AT EACH END.
- 19A 2x6X3'-0" LONG BLOCKS. NAIL BLOCKS TOGETHER WITH 16d BOX NAILS @ 4" O.C. AND (2) 16d NAILS AT EA. END.
- CONTINUOUS 2X12 P.I.H.F. SILL PLATE. PLATE SPLICES SHALL OCCUR AT CENTER OF 2X8 BLOCK LOCATIONS.
- FLOOR JOIST OR BLOCK BETWEEN FLOOR JOIST.
- CONTINUOUS 2X12(SEE PLAN), NAIL (2) 16d AT EACH END AND 12" O.C.
- 2X10X24" LONG SILL PADS. P.I.H.F. (SEE PLAN FOR QUANTITY 10 AT ENDS & 12 AT INTERIOR)
- CONTINUOUS 2X8 H.F. PLATE. PLATE SPLICES SHALL OCCUR AT CENTER OF 2X6 BLOCK LOCATIONS.

* NOTE:
UBC 2317.7 WHERE MOISTURE DUE TO CLIMATE AND GROUND WATER CONDITIONS IS NOT CONSIDERED EXCESSIVE, THE BUILDING OFFICIAL MAY ALLOW OPERABLE LOUVERS AND MAY ALLOW THE REQUIRED NET AREA OF VENT OPENINGS TO BE REDUCED TO 10 PERCENT OF THE REQUIRED AMOUNT PROVIDED THE UNDER-FLOOR GROUND SURFACE AREA IS COVERED WITH AN APPROVED VAPOR RETARDER.

THIS DRAWING AND THE MATERIAL CONTAINED HEREIN ARE THE PROPERTY OF M.S.I. INC. AND ARE NOT TO BE REPRODUCED, COPIED OR OTHERWISE DISPOSED OF IN WHOLE OR IN PART WITHOUT THE WRITTEN CONSENT OF M.S.I. INC. FOR THE MAKING OF DRAWINGS, PRINTS OR REPRODUCTIONS OF PARTS THEREOF WITHOUT THE FULL KNOWLEDGE AND MATERIAL CONTAINED HEREIN AND ORIGINATING WITH M.S.I. INC. SHALL BE THE PROPERTY OF M.S.I. INC.



LICENSE EXPIRES 6-30-2006

MSI
MODULAR STRUCTURES INTERNATIONAL, INC.
920 CITRUS AVE. RIVERIDE, CALIFORNIA, 92507
PHONE: (909) 786-3035 FAX: (909) 786-1523



ARCHITECT APPROVAL

STRUCTURAL ENGINEERS STAMP

STATE AGENCY APPROVAL

STATE AGENCY APPROVAL

STATE AGENCY APPROVAL

STATE AGENCY APPROVAL

PROJECT
24'X40', 36'X40', & 48'X40'
MODULAR CLASSROOM BUILDING

TITLE
WOOD FOUNDATION

DATE 1-9-98

DRAWN BY R.D.L.

SCALE NONE

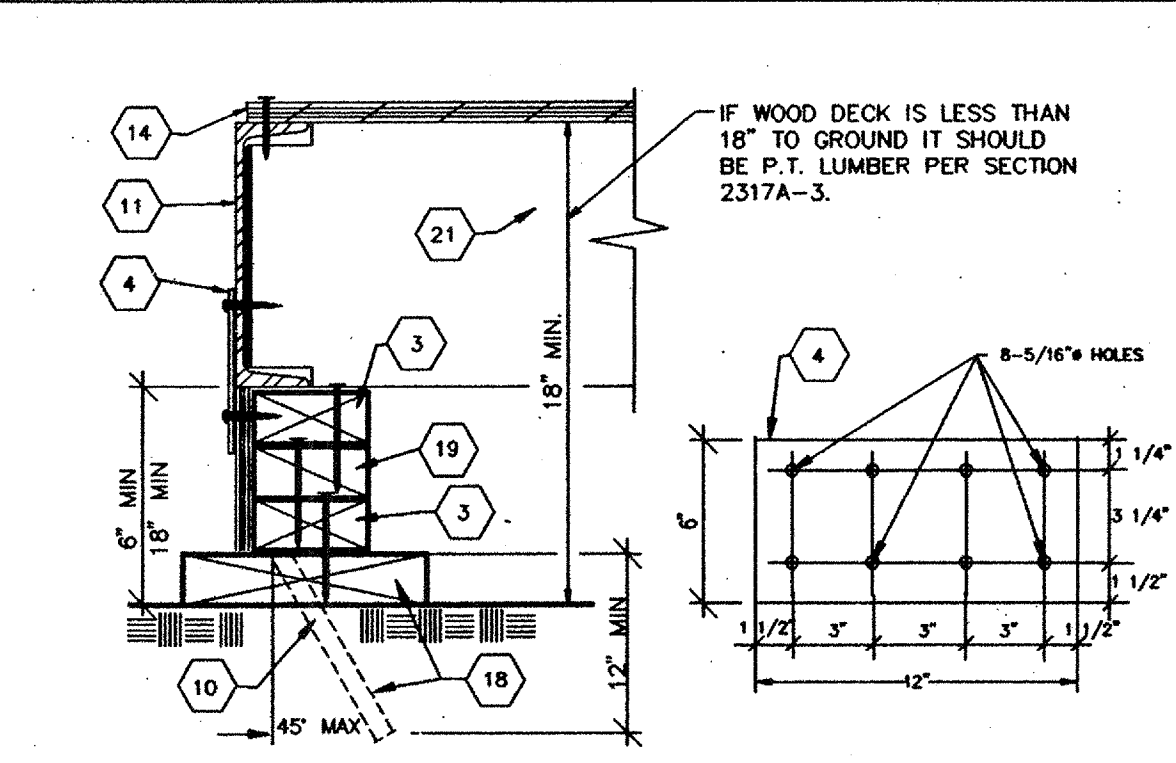
APPROVED

REVISIONS

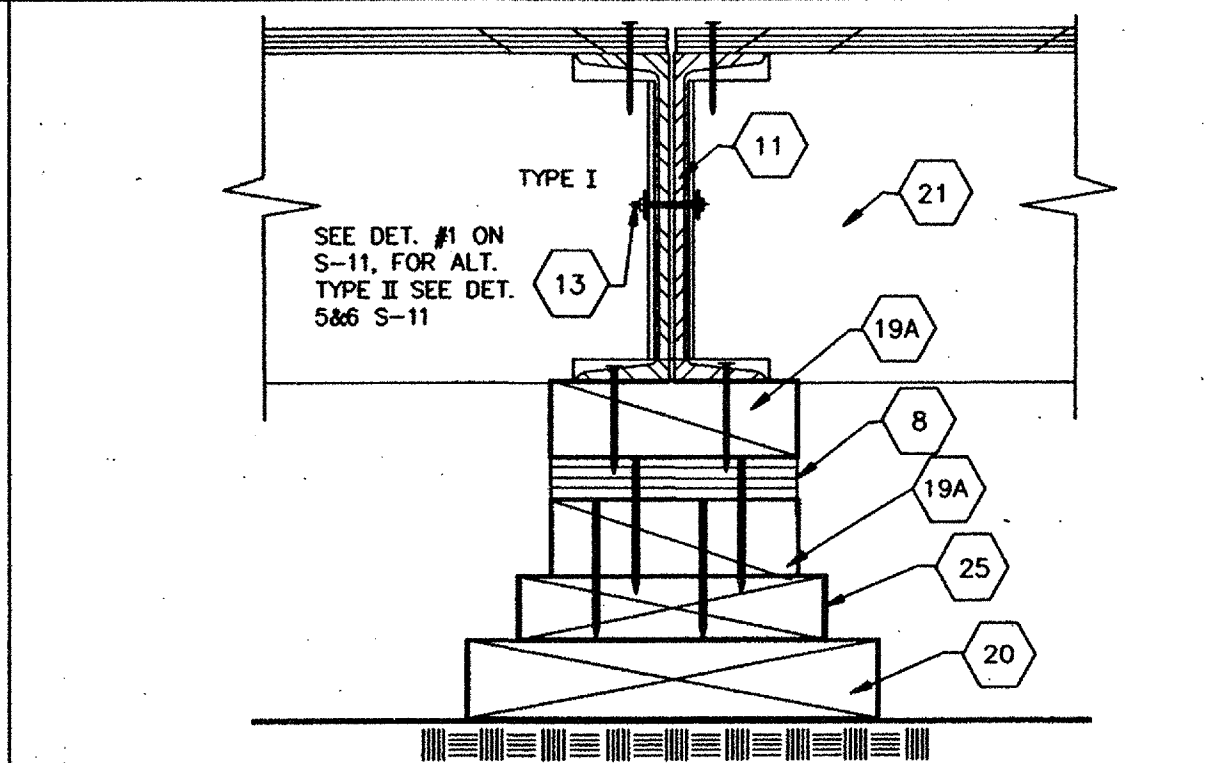
SHEET NO.

F-1

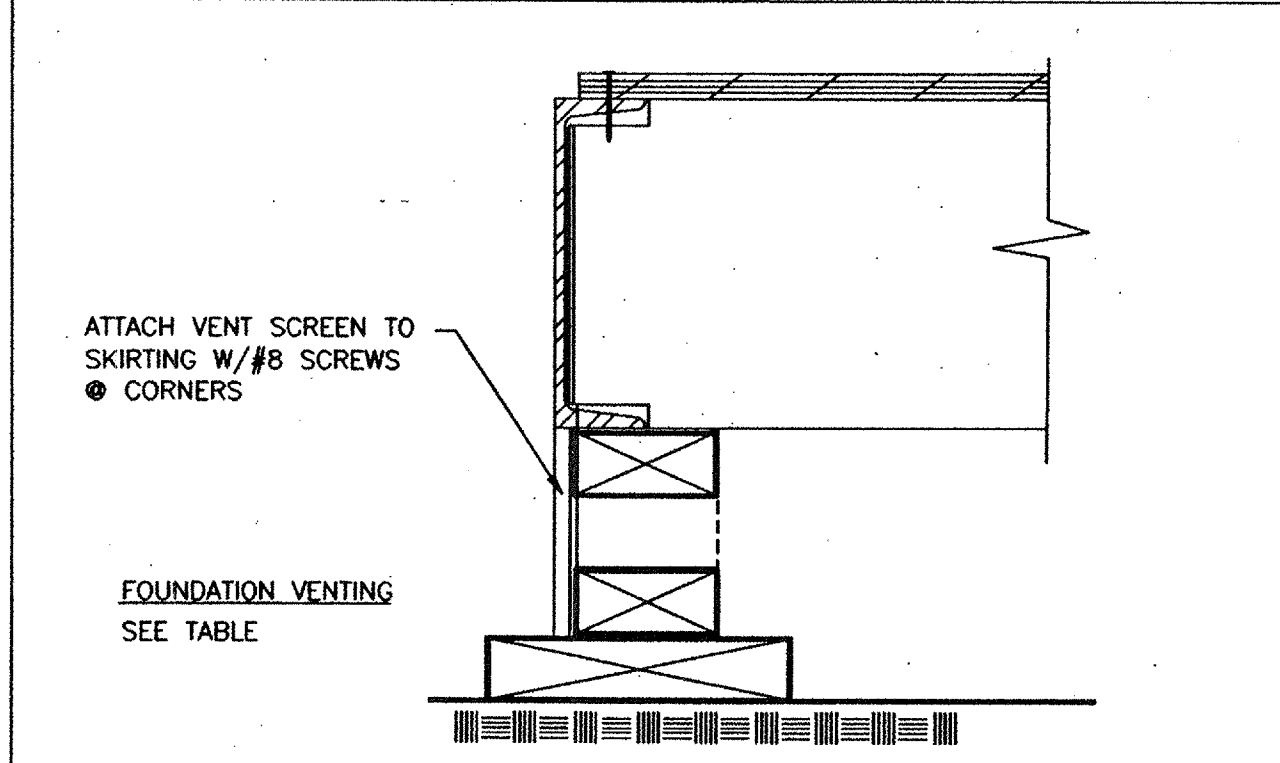
PC-100073



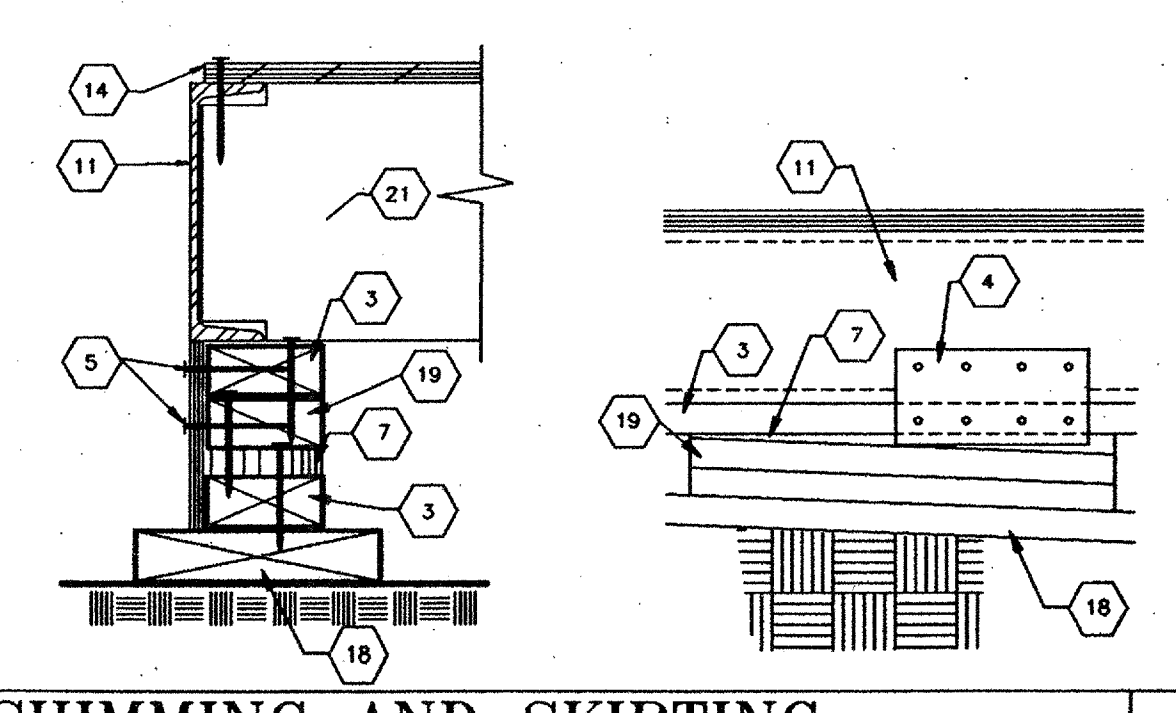
FOUNDATION AT SIDEWALL



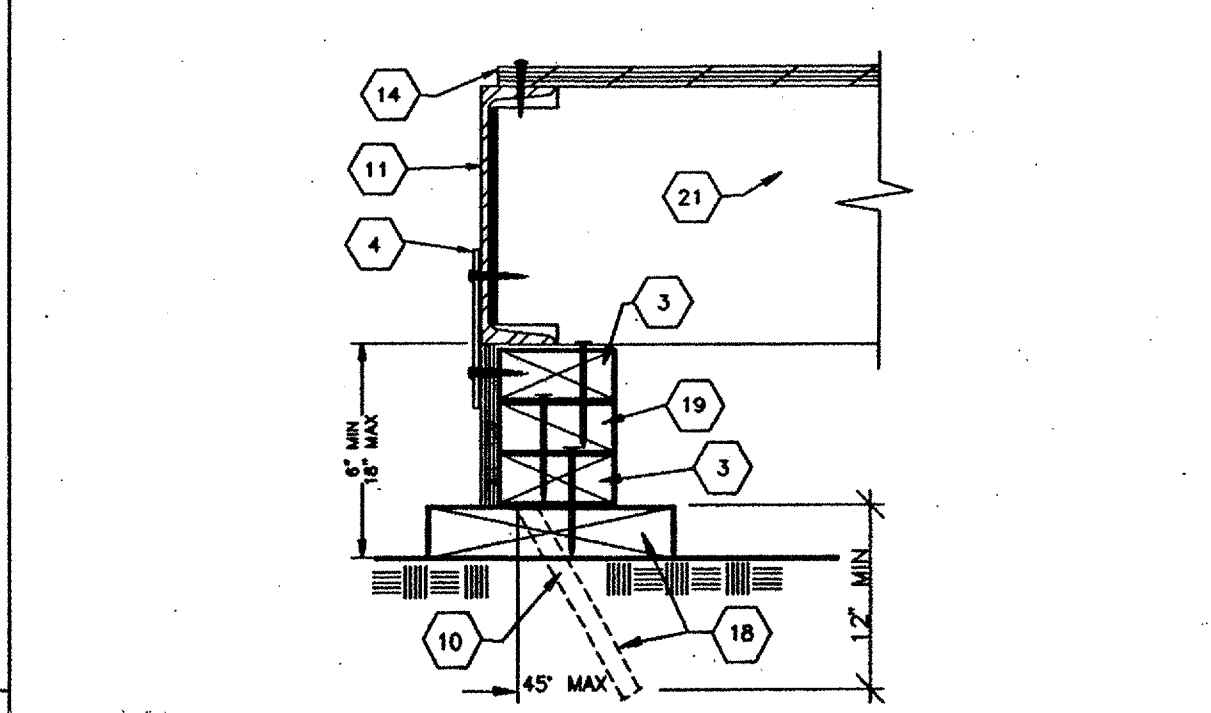
FOUNDATION AT MOD LINE



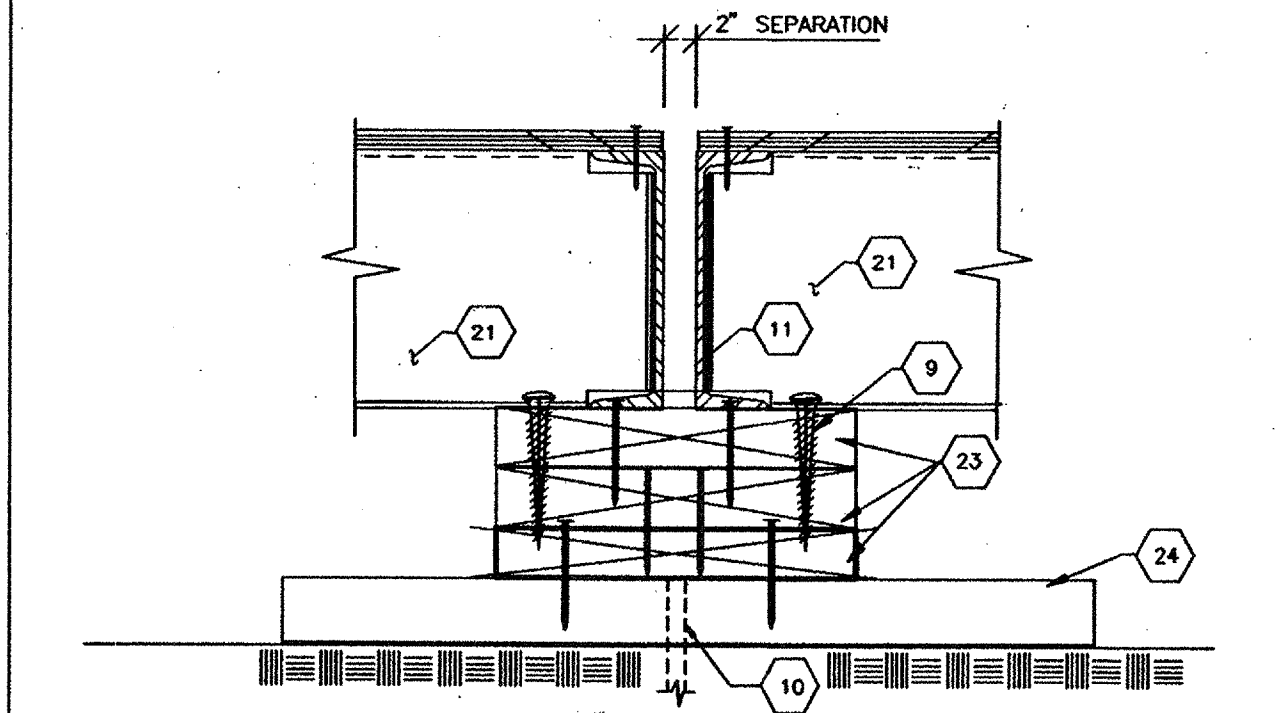
FOUNDATION VENTING



SHIMMING AND SKIRTING (SIDEWALL SHOWN)



FOUNDATION AT ENDWALL



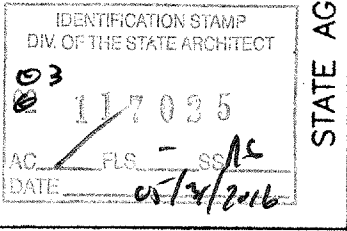
COMMON PAD

SCHEDULE 1
LAG SCHEDULE-20 PSF ROOF

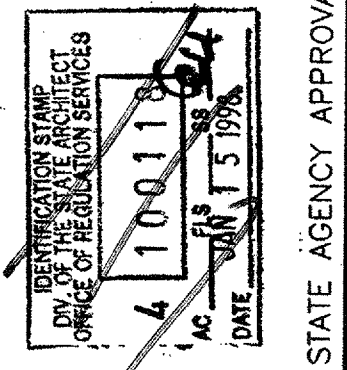
BUILDING SIZE	FLOOR LOAD	LAG BOLTS AT EA. BUILDING	REQUIRED VENTS PER BUILDING (SQ.FT.) *
24'x40'	50 PSF	4	6.4
36'x40'	50 PSF	4	9.6
48'x40'	50 PSF	6	12.8

SCHEDULE 2
FACE PLATE SCHEDULE-20 PSF ROOF

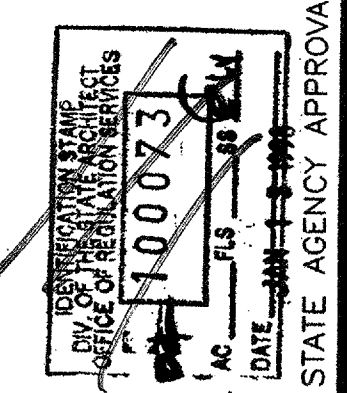
BUILDING SIZE	FLOOR LOAD	FACE PLATES AT SIDES	FACE PLATES AT ENDS	TOTAL
24'x40'	50 PSF	4	7	22
36'x40'	50 PSF	5	6	22
48'x40'	50 PSF	7	7	28



LICENSE EXPIRES 6-30-2006



LICENSE EXPIRES 6-30-2006



LICENSE EXPIRES 6-30-2006