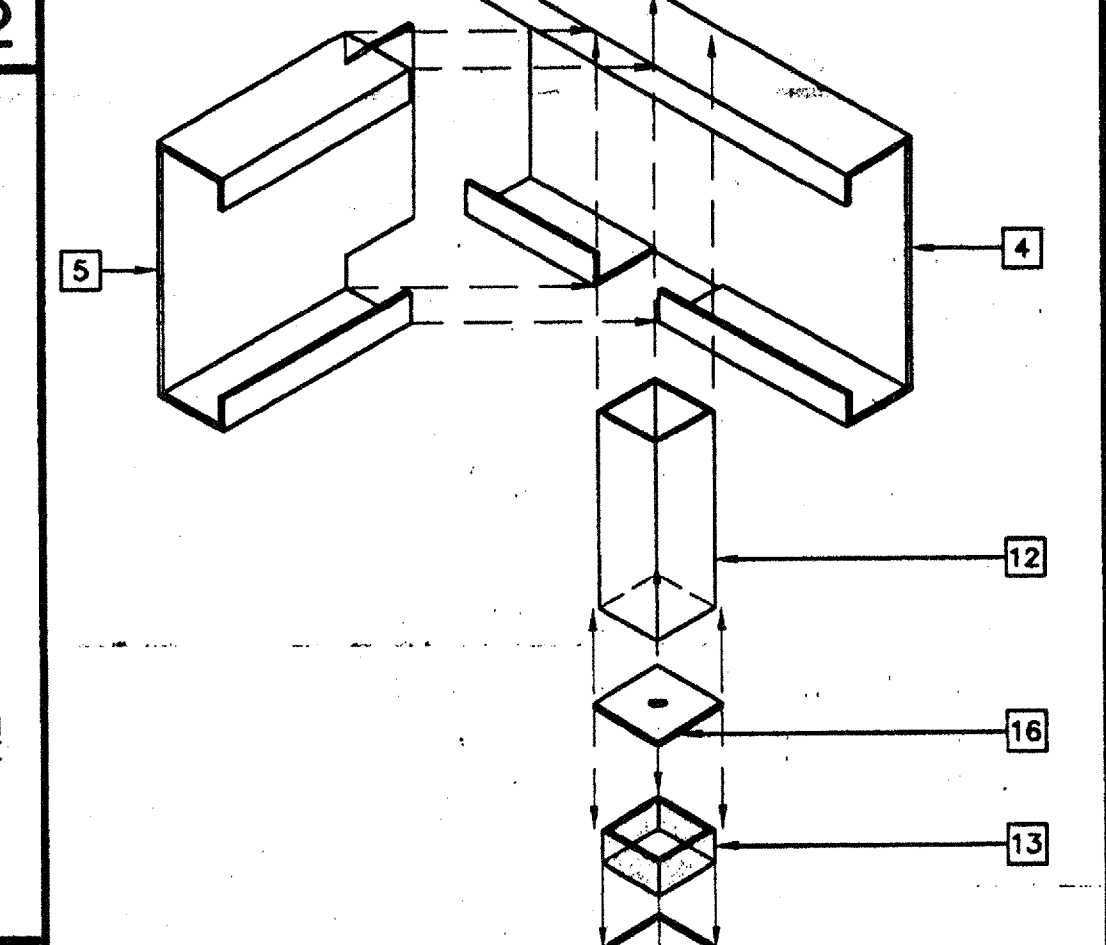
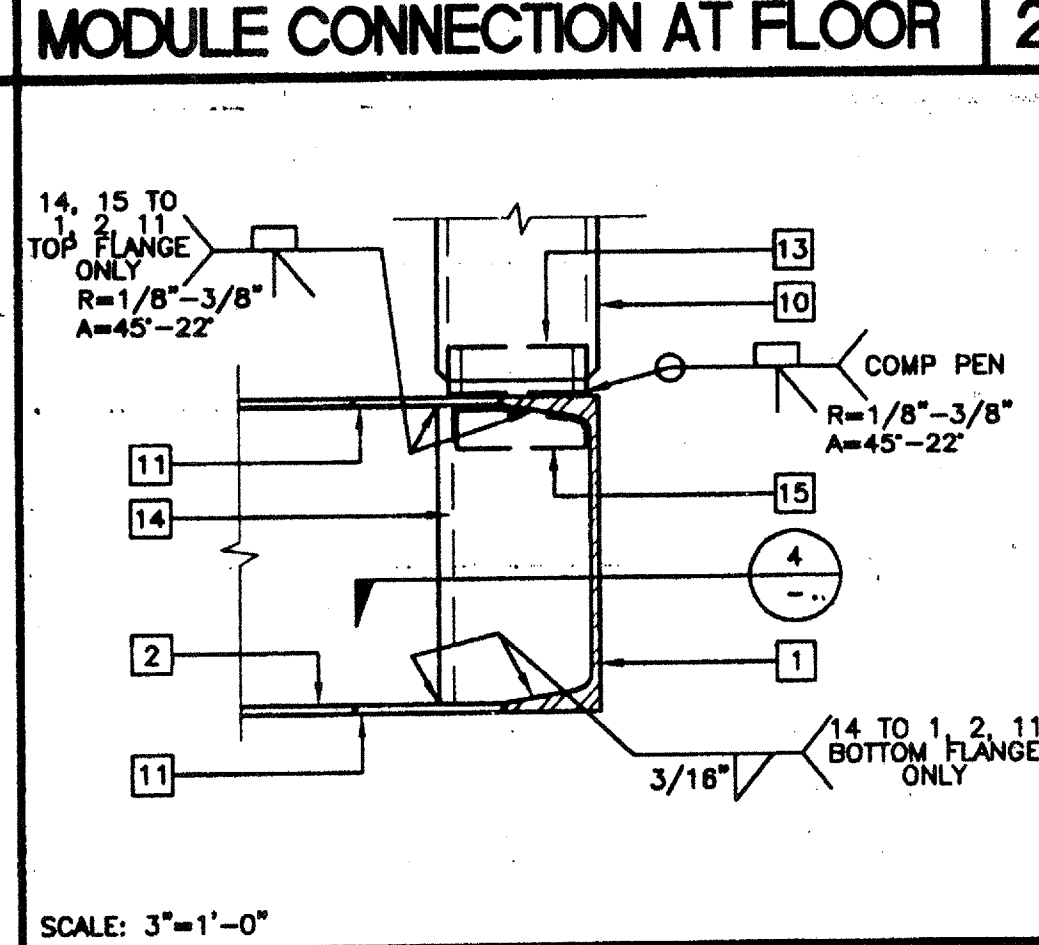
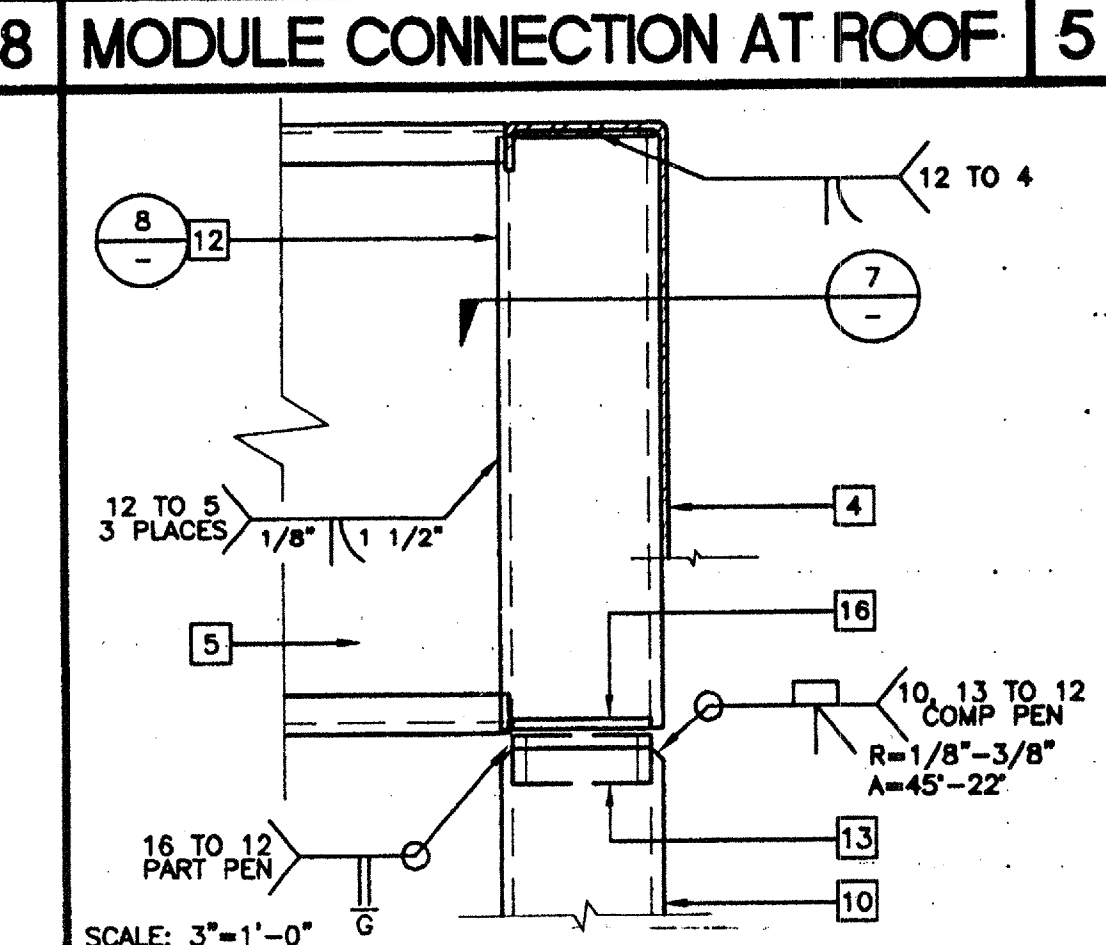
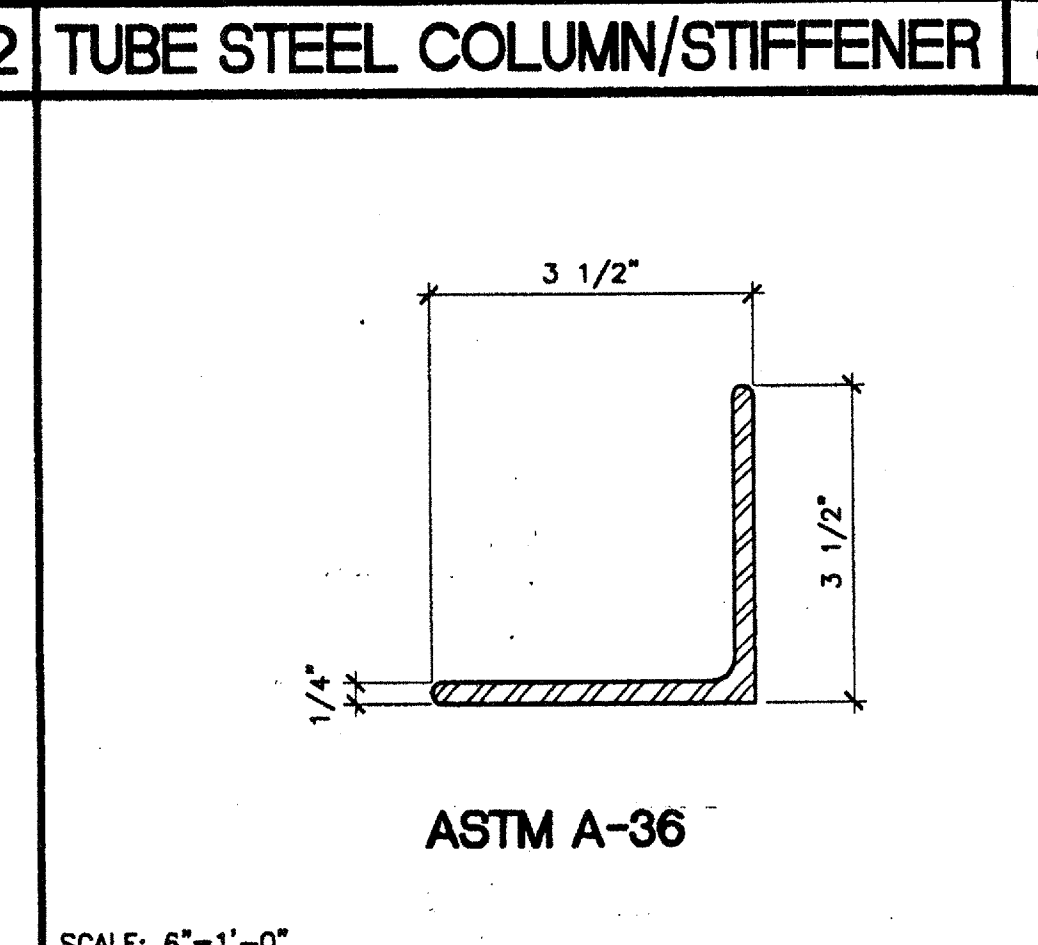
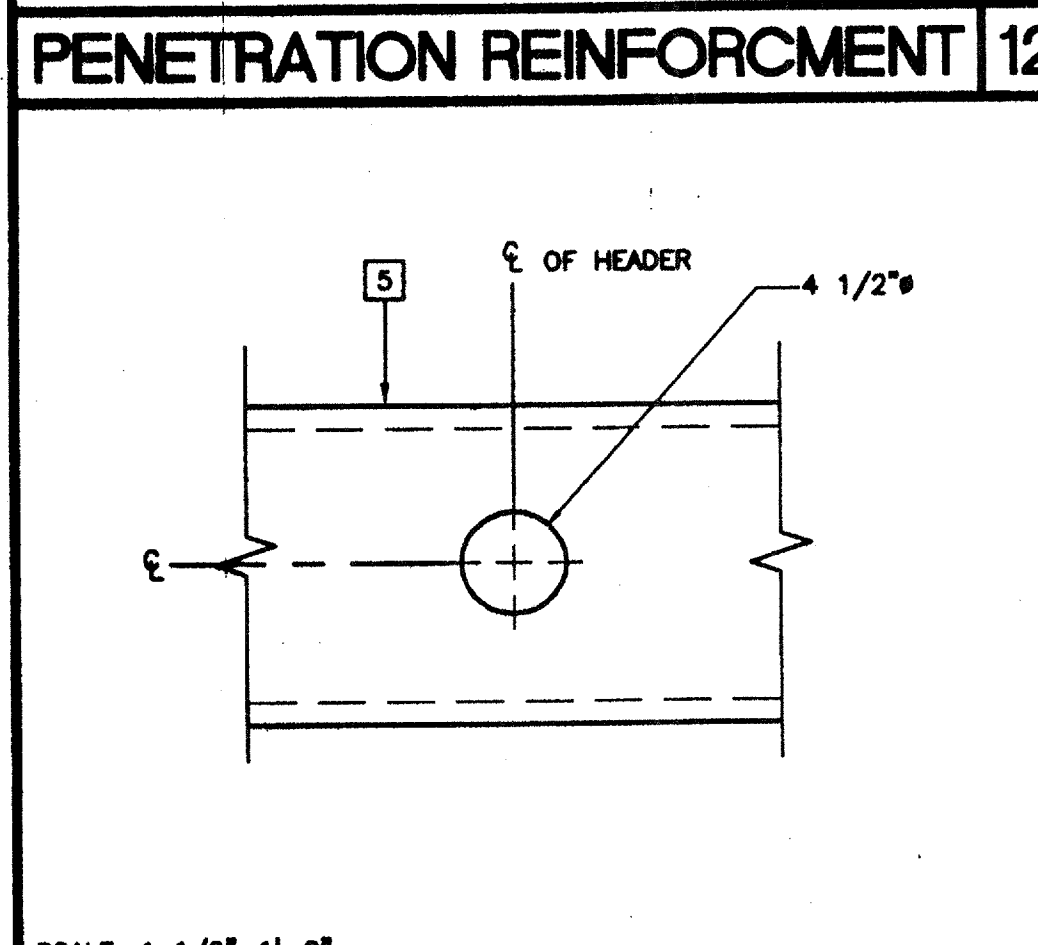
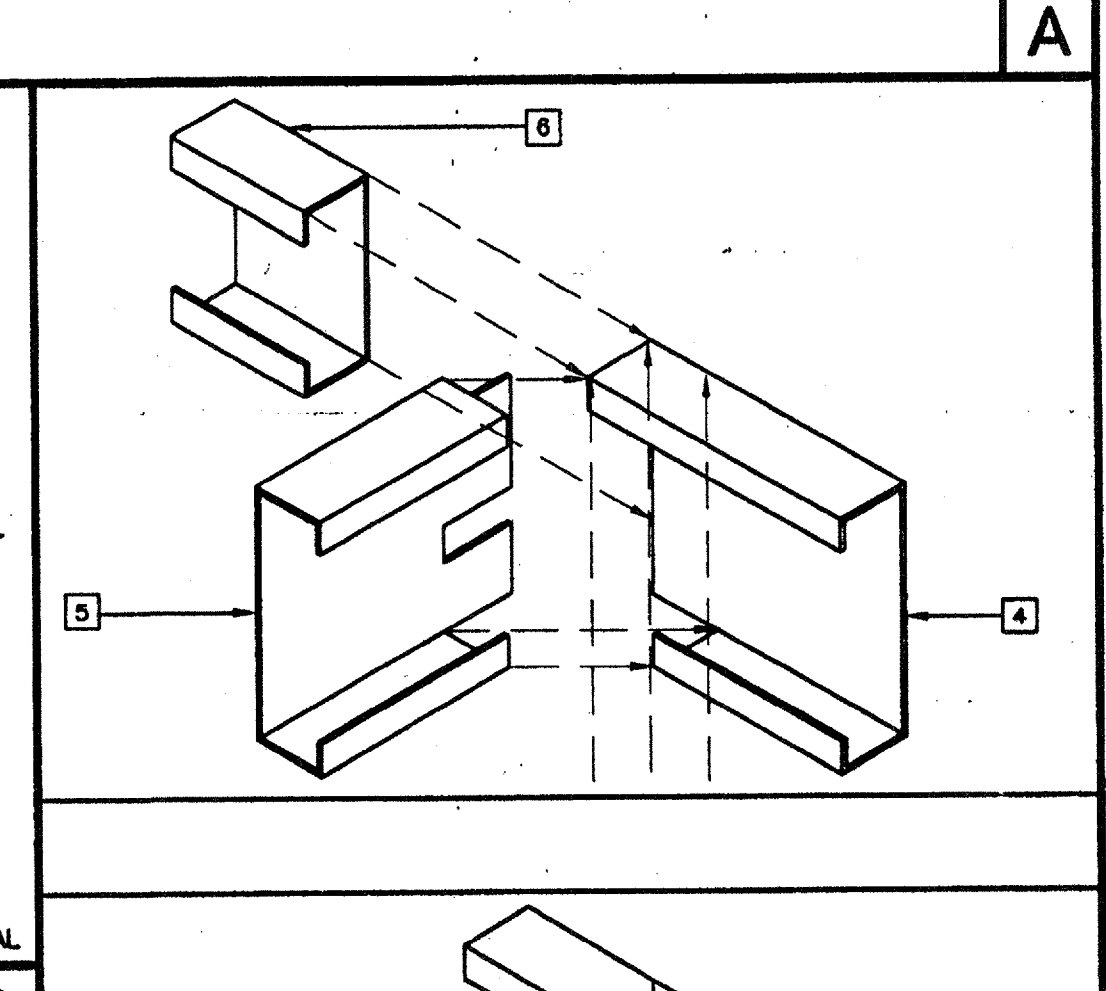
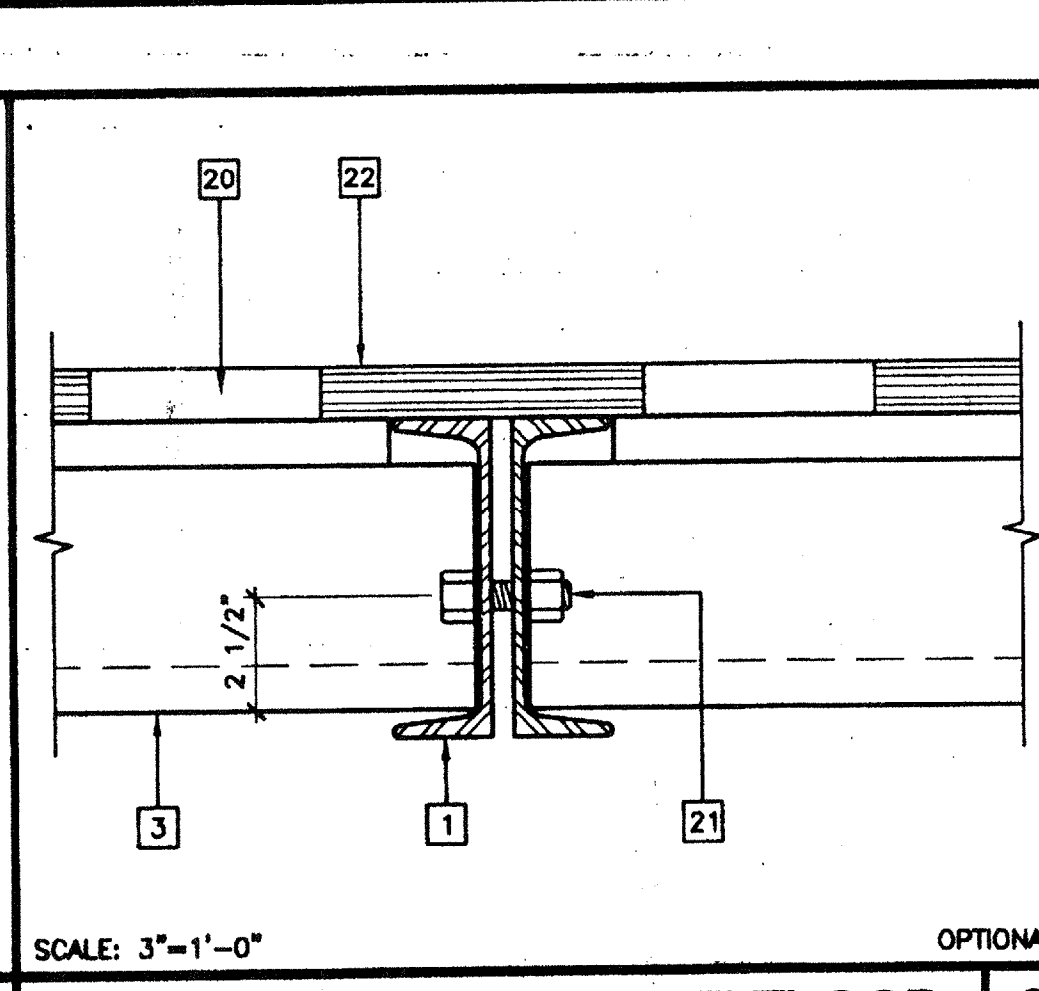
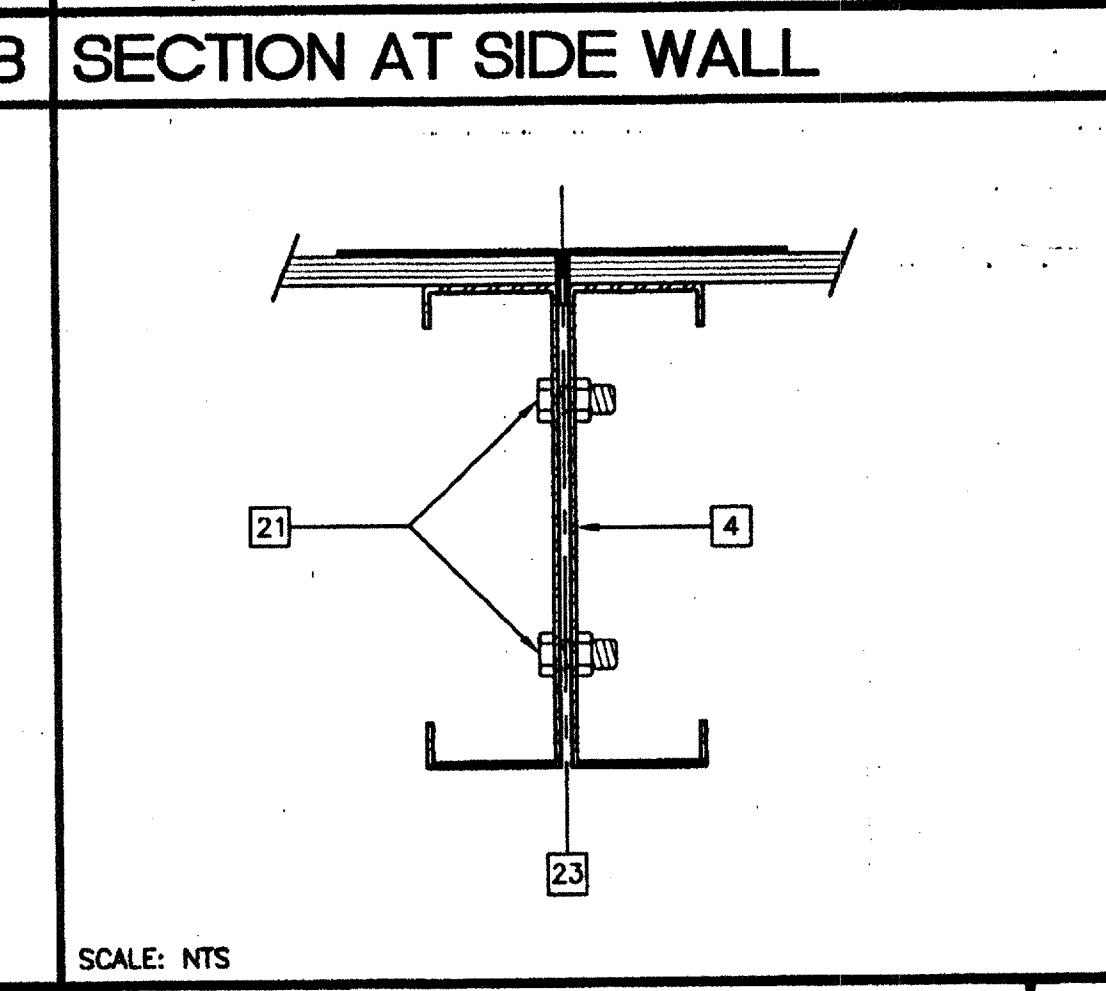
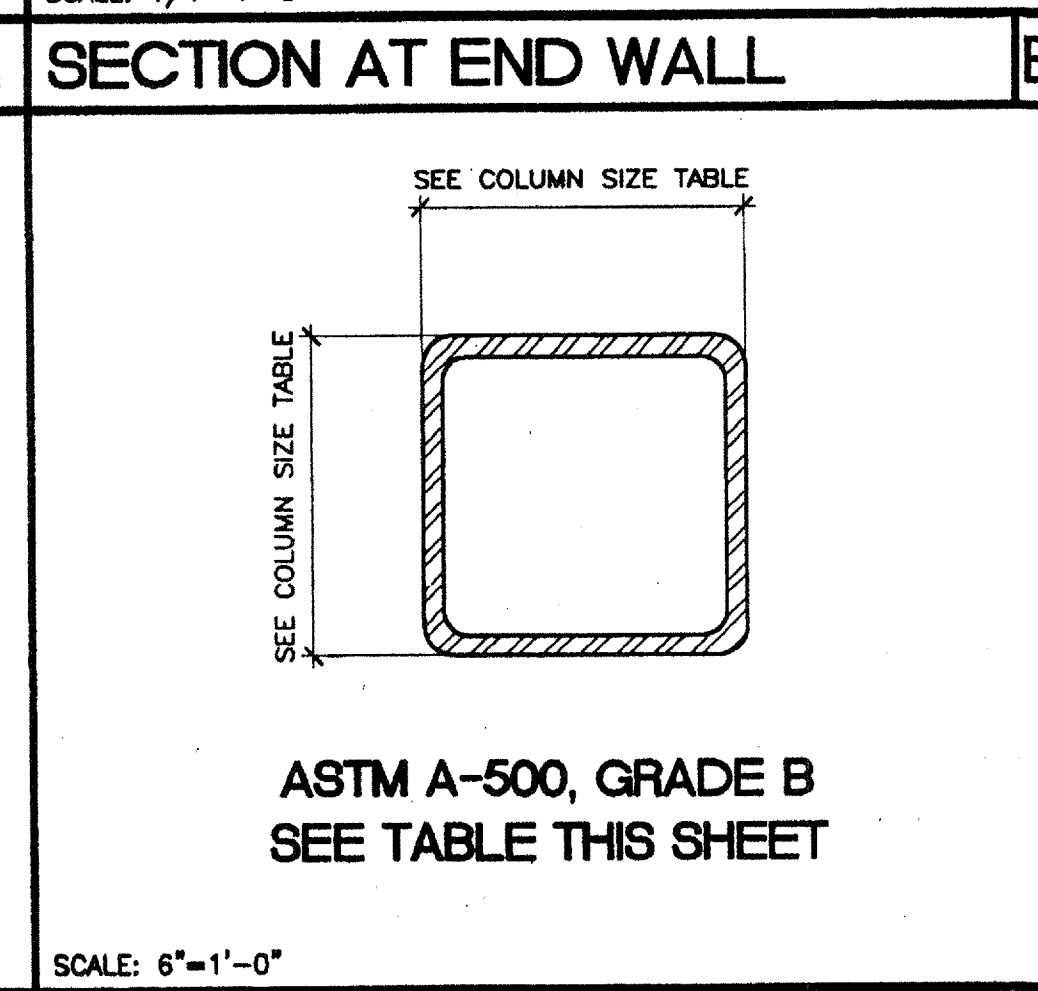
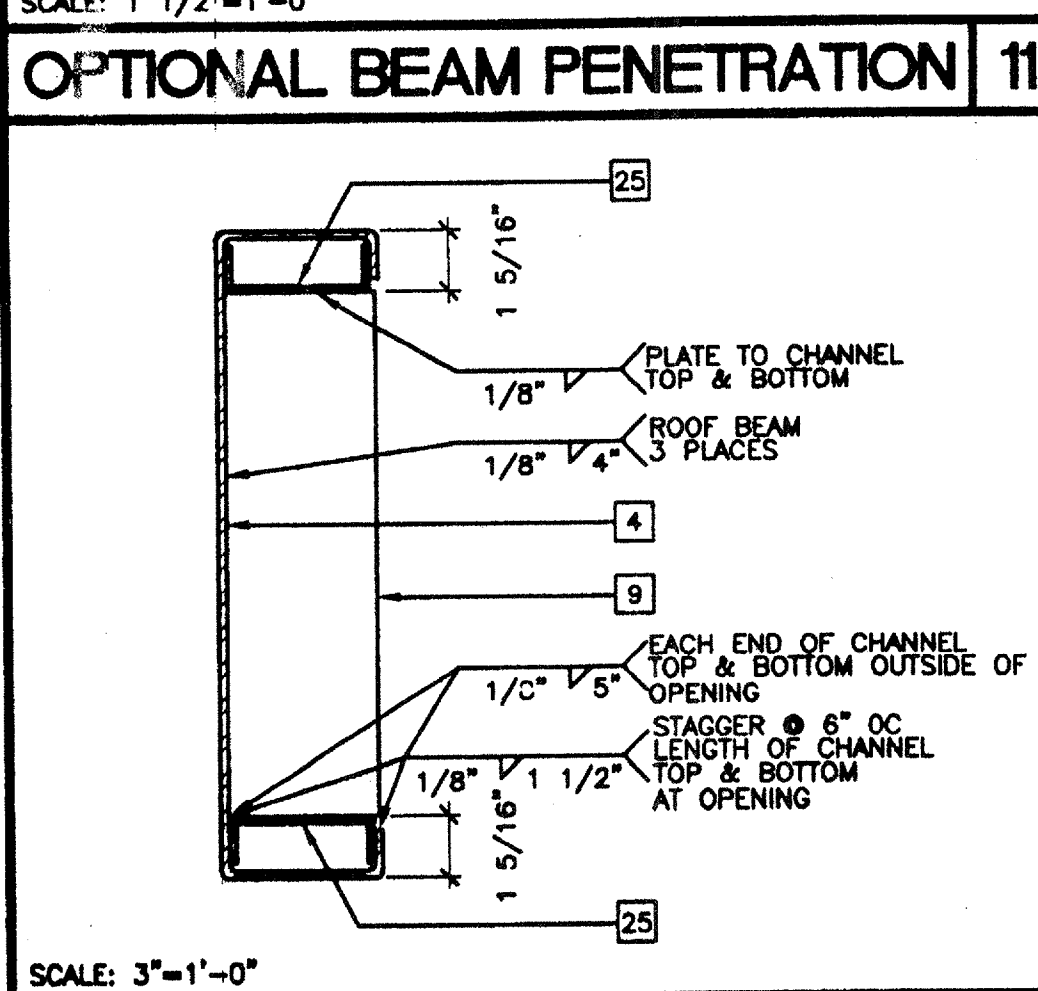
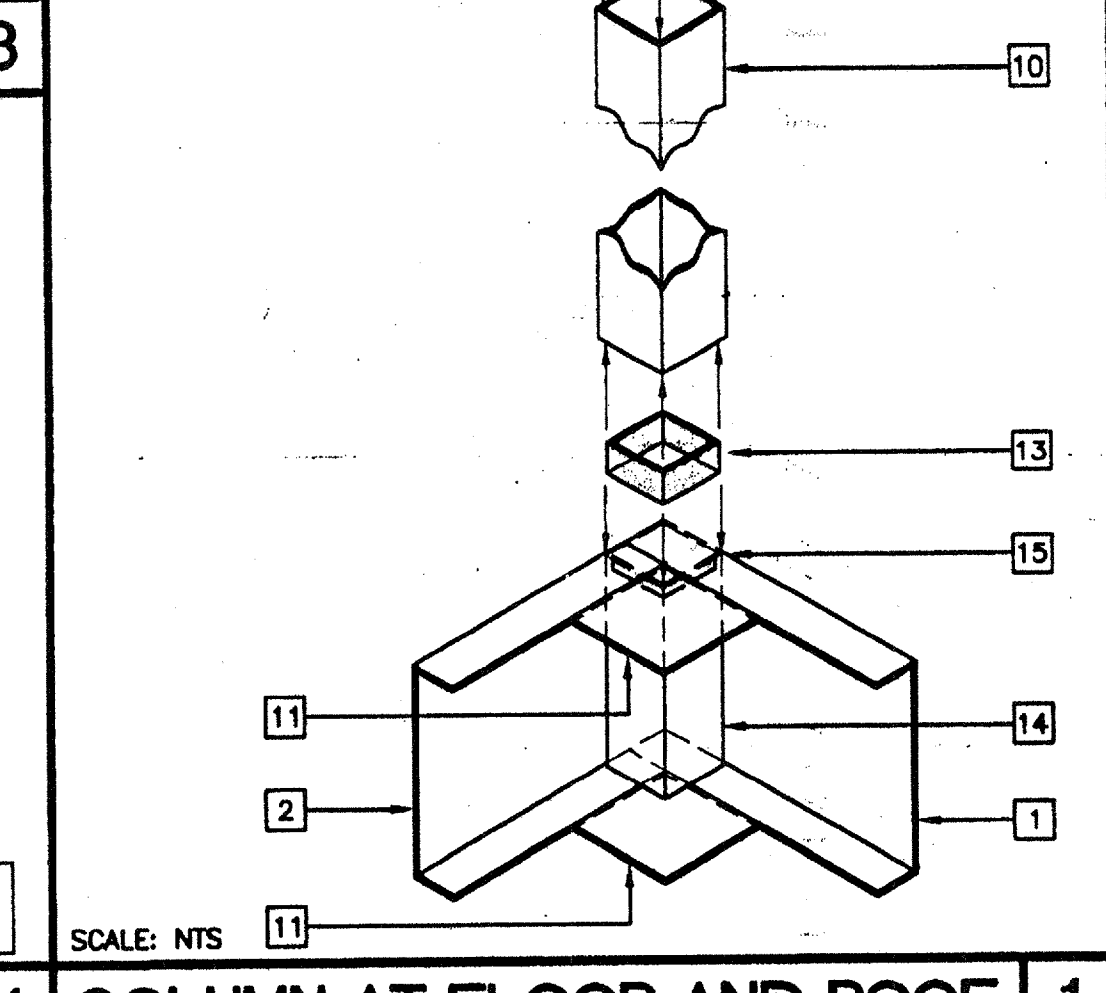
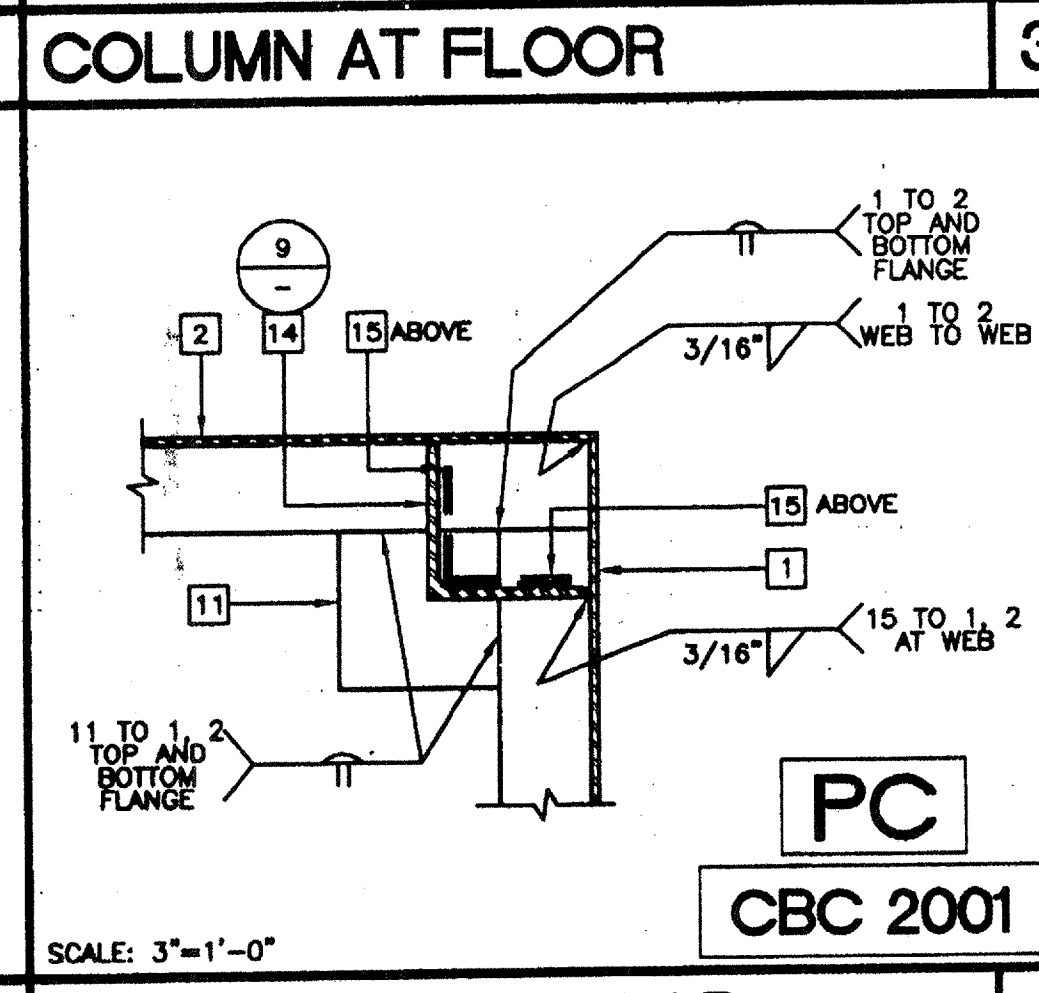
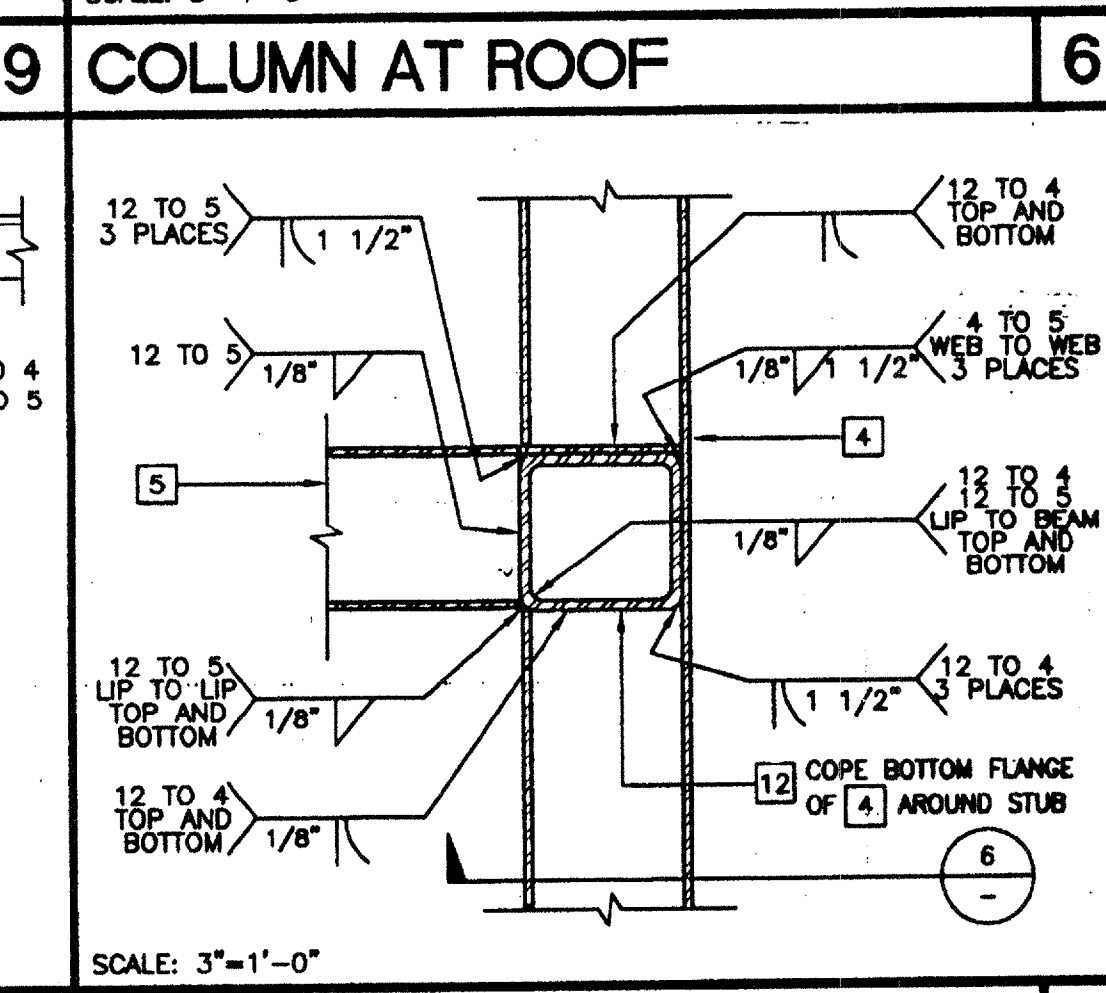
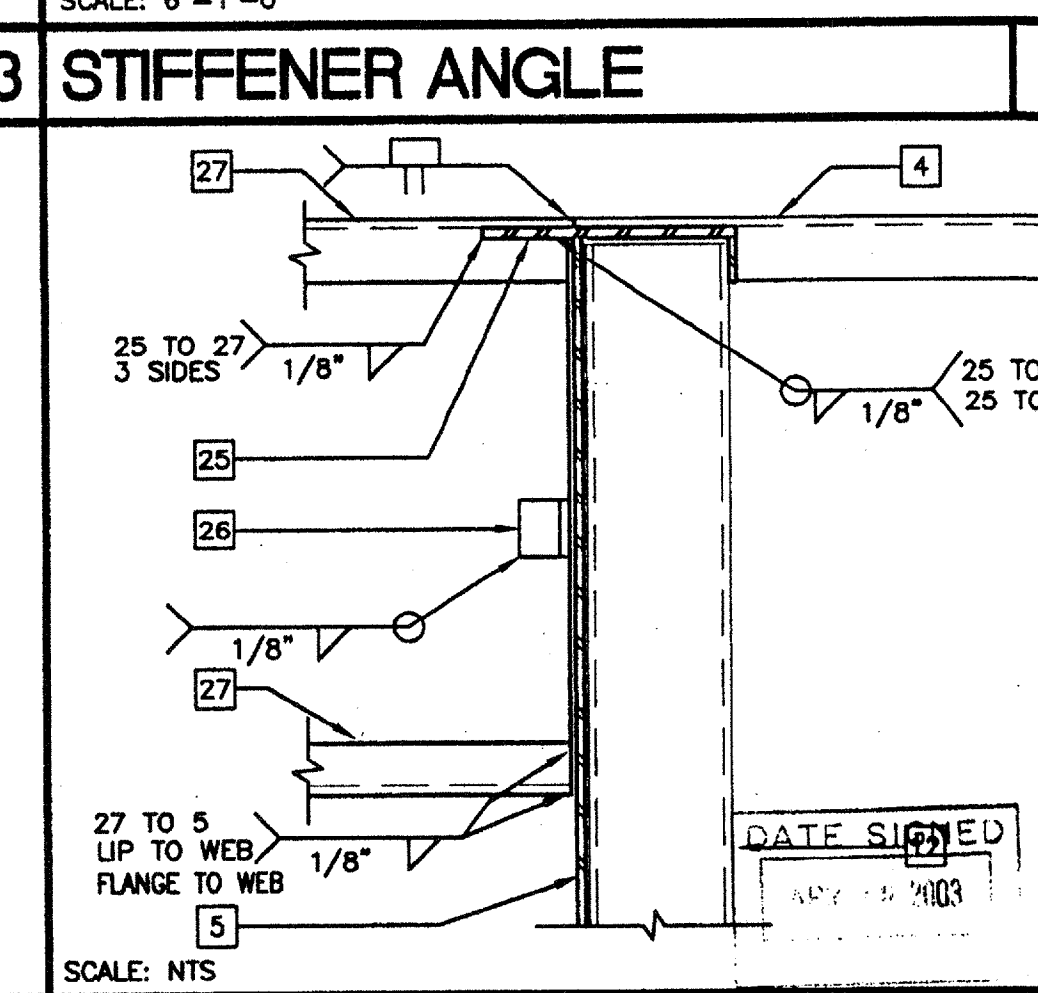
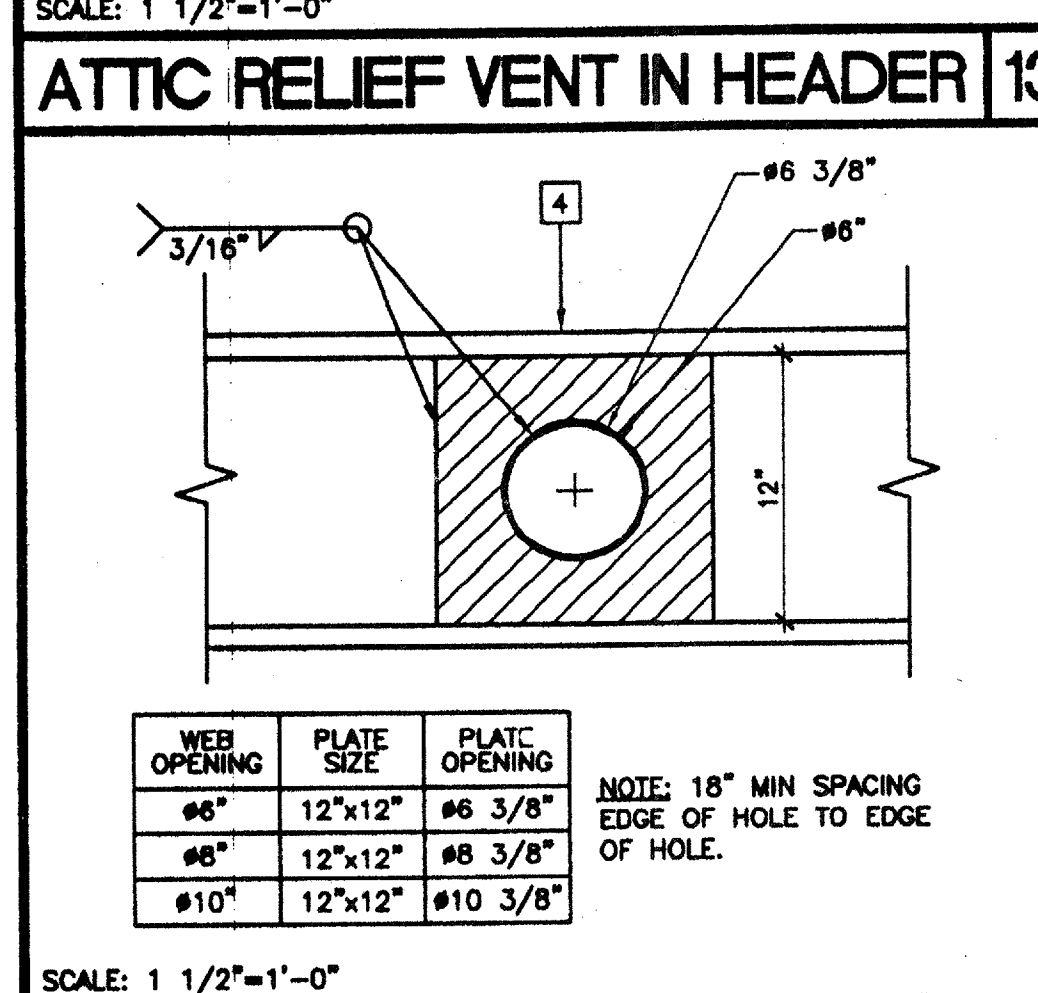


- ### KEY NOTES
- FLOOR BEAM - 1/S1.01
 - FLOOR HEADER - 1/S1.01
 - FLOOR JOIST - 2/S1.01
 - TAPERED ROOF BEAM - 1/S2.02
 - ROOF HEADER - 2/S2.02
 - ROOF FASCIA - 3/S2.02
 - ROOF PURLIN - 4/S2.02
 - 8" x 3-1/2" x 14GA ROOF OVERHANG BEAM
 - 1/4" FULL DEPTH STIFFENER PLATE AT 8'-0" OC TYPICAL ALIGN WITH PURLIN - 6/S2.02
 - 3 1/2" x 3 1/2" x 1/4" TUBE STEEL COLUMN (SEE COLUMN BELOW)
 - 3 1/2" x 3 1/2" x 1/4" STEEL STIFFENER PLATE. WHEN CONCRETE FOUNDATIONS ARE USED REPLACE LOWER PLATE WITH 5" x 8" x 1/4" ANCHOR BOLT PLATE - 3/S1.01
 - 3 1/2" x 3 1/2" x 1/4" TUBE STEEL STIFFENER
 - (1) 3" x 3" 10 GA TUBE STEEL BACK UP TUBE OR (4) 10 GA BACK UP PLATES
 - 3 1/2" x 3 1/2" x 1/4" ANGLE STIFFENER
 - BACK-UP PLATE - 10 GA MIN
 - 1/4" BASE PLATE - INSERT FLUSH WITH STIFFENER TUBE
 - OPTIONAL HVAC DUCT OPENING - 12/S2.02
 - NOT USED
 - 1/4" FULL DEPTH STIFFENER PLATE AT 4'-0" OC AT SIDEWALLS ALIGN WITH PURLINS FOR 80 MPH DESIGN WIND LOAD ONLY
 - HAND HOLE AT BOLT LOCATION
 - 5/8" MB A307 AT MODULE CONNECTION JOINT - SEE FLOOR/ROOF FRAMING PLANS
 - FLOOR SHEATHING
 - MODLINE (M)
 - NOT USED
 - 3 1/4" x 1" 10 GA CHANNEL STIFFENER
 - 10 GA PLATE (REFER TO DETAIL CHART FOR DIMENSIONS -14/S3.01)
 - 3 1/2" x 4 1/2" x 1/4" PLATE UNDER BEAM FLANGE



- ### NOTES
- ALL WELDS USED IN PRIMARY MEMBERS AND CONNECTIONS IN THE LATERAL FORCE-RESISTING SYSTEMS SHALL BE MADE WITH A FILLER METAL THAT HAS A MINIMUM CHARPY V-NOTCH TOUGHNESS OF 20 FT/LBS AT MINUS 20 DEGREES F AS DETERMINED BY AWS CLASSIFICATION OR MANUFACTURER CERTIFICATION. (ALL MEMBERS EXCEPT LIGHT GAUGE).



COLUMN SIZE TABLE

DESIGN WIND LOAD	COLUMN HEIGHT	
	9'-0"	10'-6"
70 MPH	3 1/2"x3 1/2"x1/4"	4"x4"x3/8"
80 MPH	3 1/2"x3 1/2"x5/16"	4"x4"x3/8"
80 MPH WITH 4'-0" PARAPETS		5"x5"x3/8"

REVISIONS

NO.	DESCRIPTION	DATE

Electrical Engineer's Seal
Mechanical Engineer's Seal
PC Professional of Record Seal
Architect's Seal

IDENTIFICATION STAMP
DIV. OF THE STATE ARCHITECT
OFFICE OF REGULATION SERVICES
PC-04
104801
DATE: 5/16/05

MODTECH^{INC.}
2830 BARRETT AVENUE PERRIS, CALIF. 92571
PH (909) 943-4014
FAX (909) 940-0427

PROJECT NUMBER:
© MODTECH, INC. 2002
CLASS LEASING INC STOCKPILE # 70
100-24 x 40 CLASSROOM BUILDINGS
4012-125 05-22-2003 80 MPH
(8 & 12 LIGHTS)

IDENTIFICATION STAMP
DIV. OF THE STATE ARCHITECT
OFFICE OF REGULATION SERVICES
04 105298
DATE: MAY 22 2003

DRAWN BY: STKP-70
DATE: 05-22-03
CHECKED BY:
DATE:

MODTECH Index No.
S3.02

FILE PATH: 2440-S3.02.DWG PROJECT NO. PC-04-104801