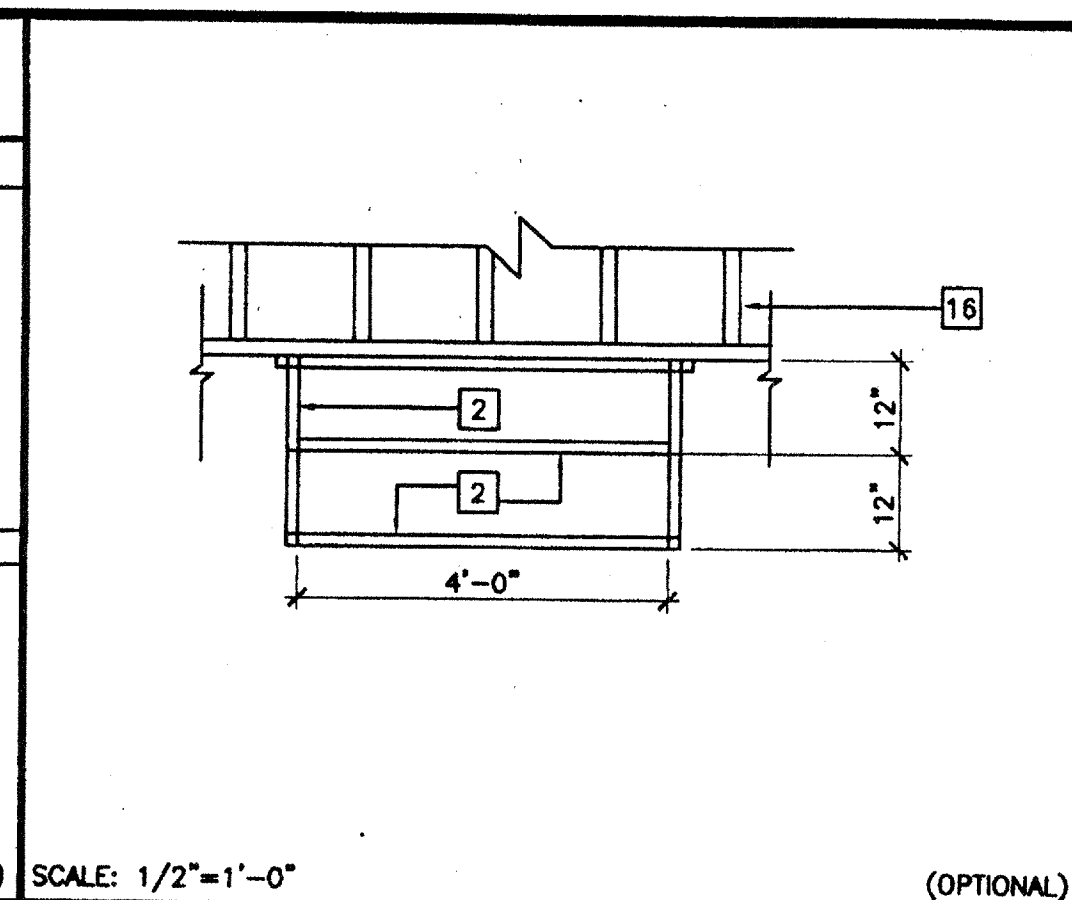
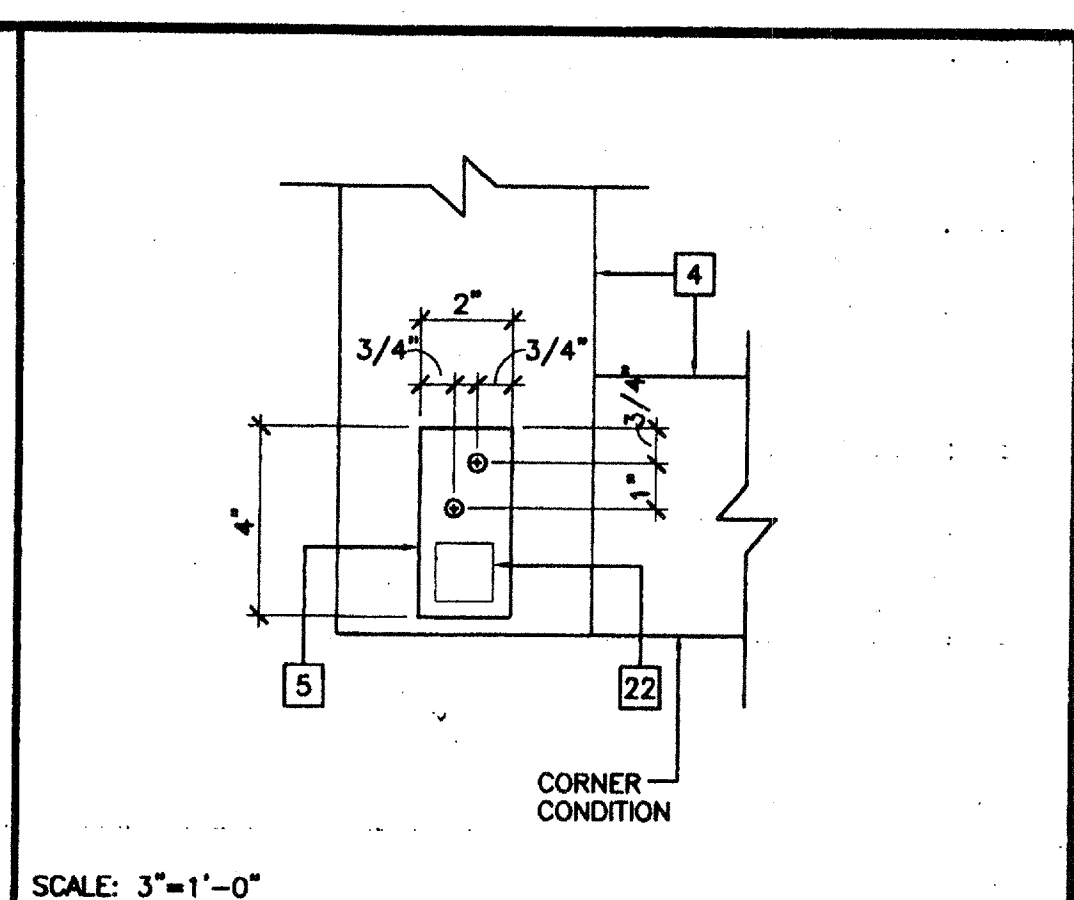


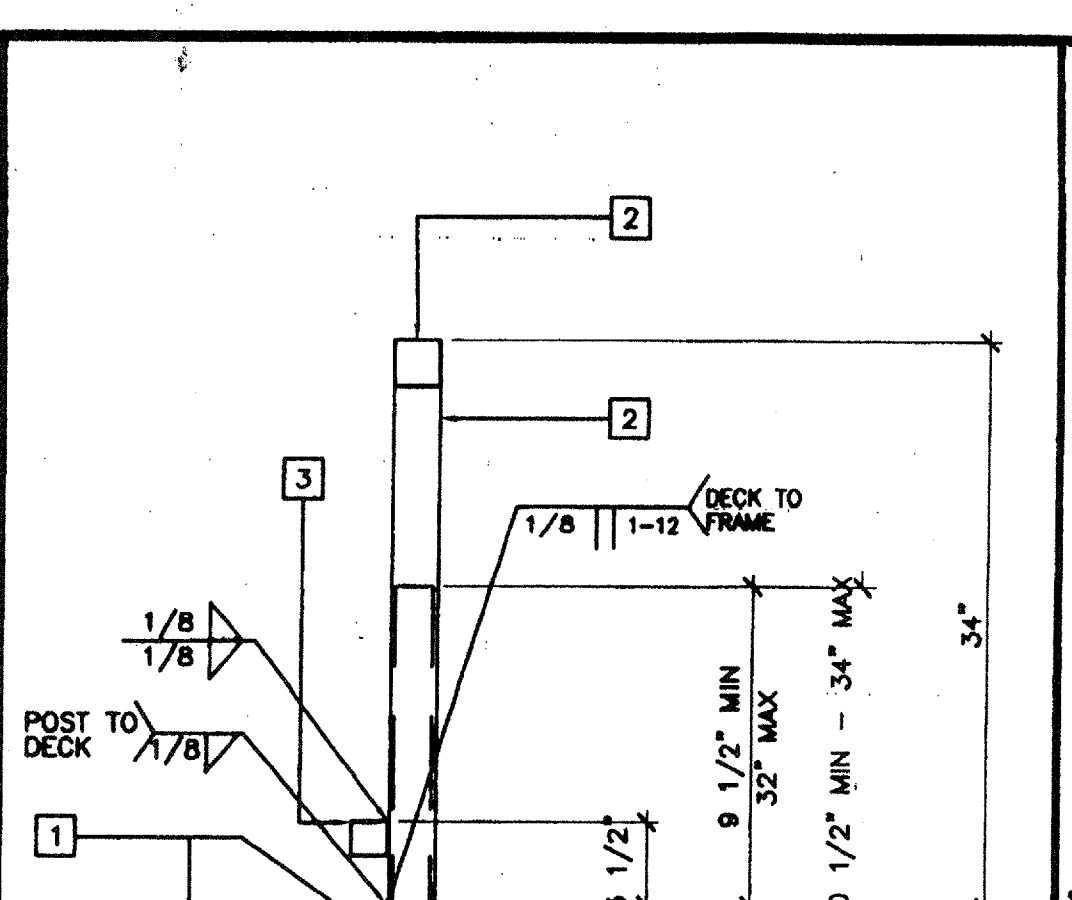
SCALE: 1 1/2"=1'-0" (OPTIONAL)
STAIR SECTION 16



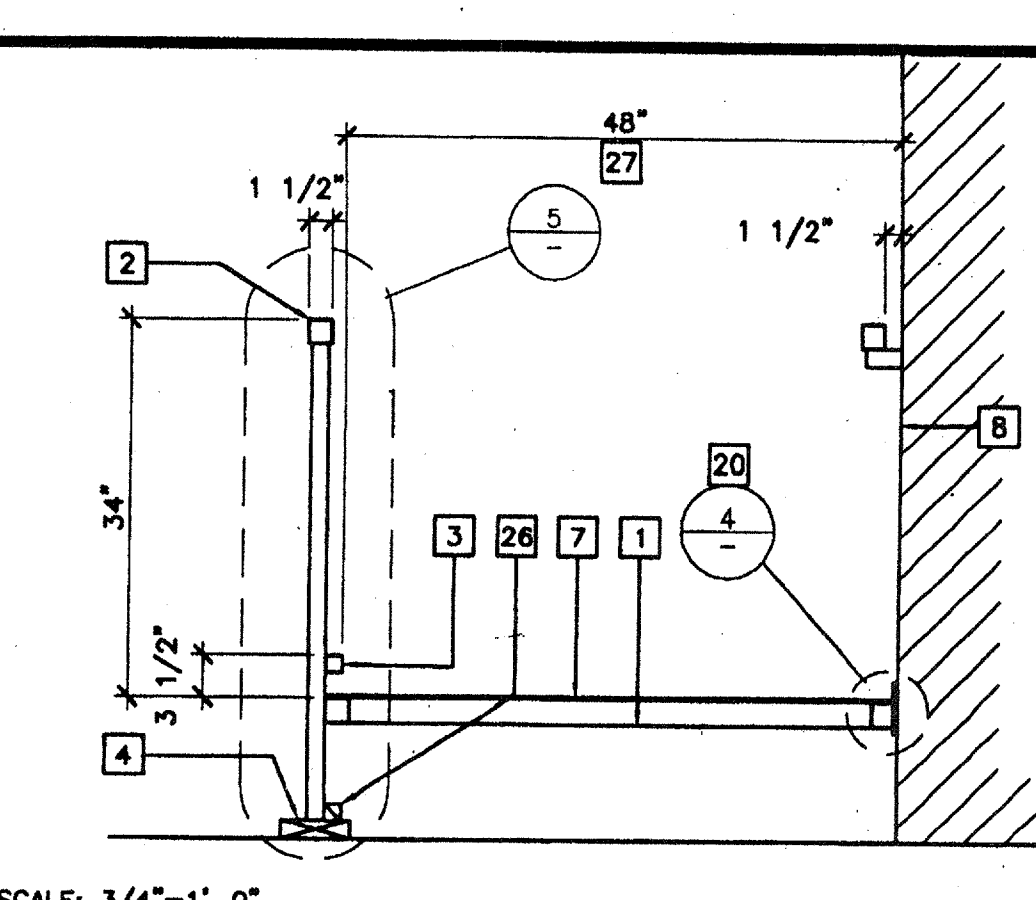
SCALE: 1/2"=1'-0" (OPTIONAL)
STAIR FRAMING PLAN 12



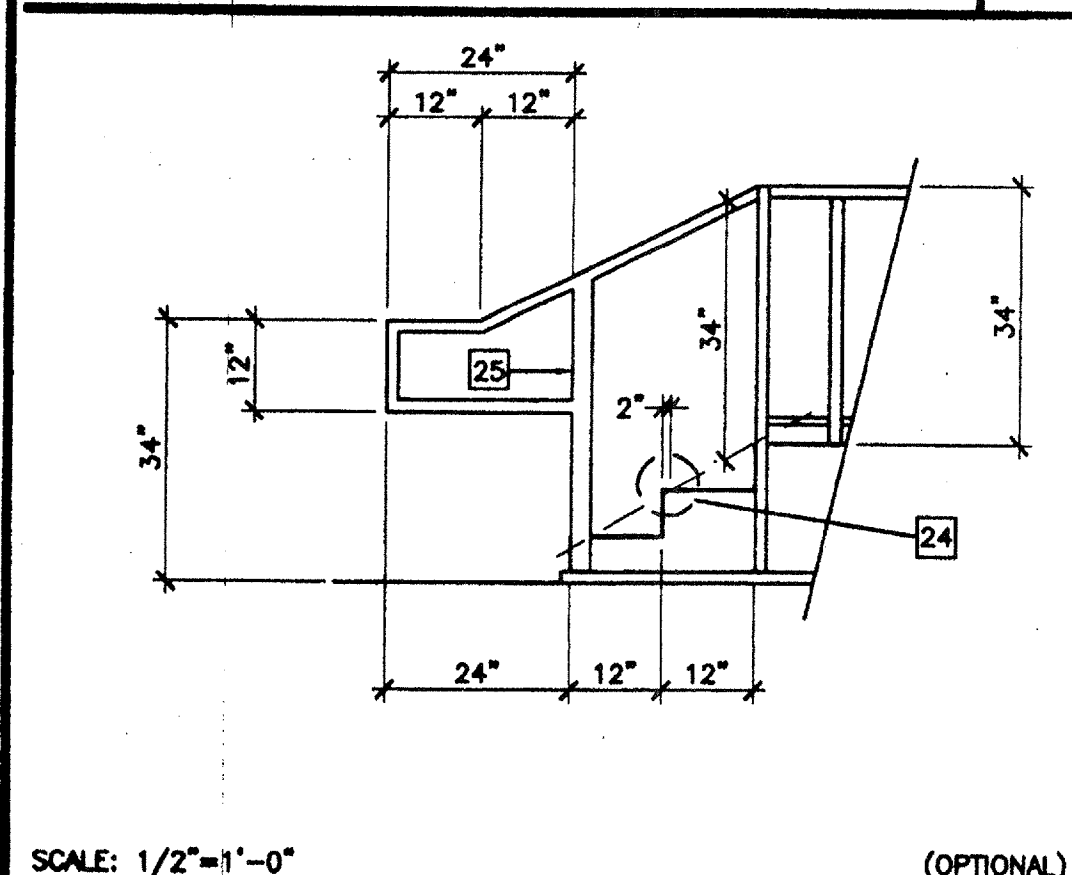
SCALE: 3"=1'-0" (OPTIONAL)
ADJUSTABLE LEG BASE PLATE 8



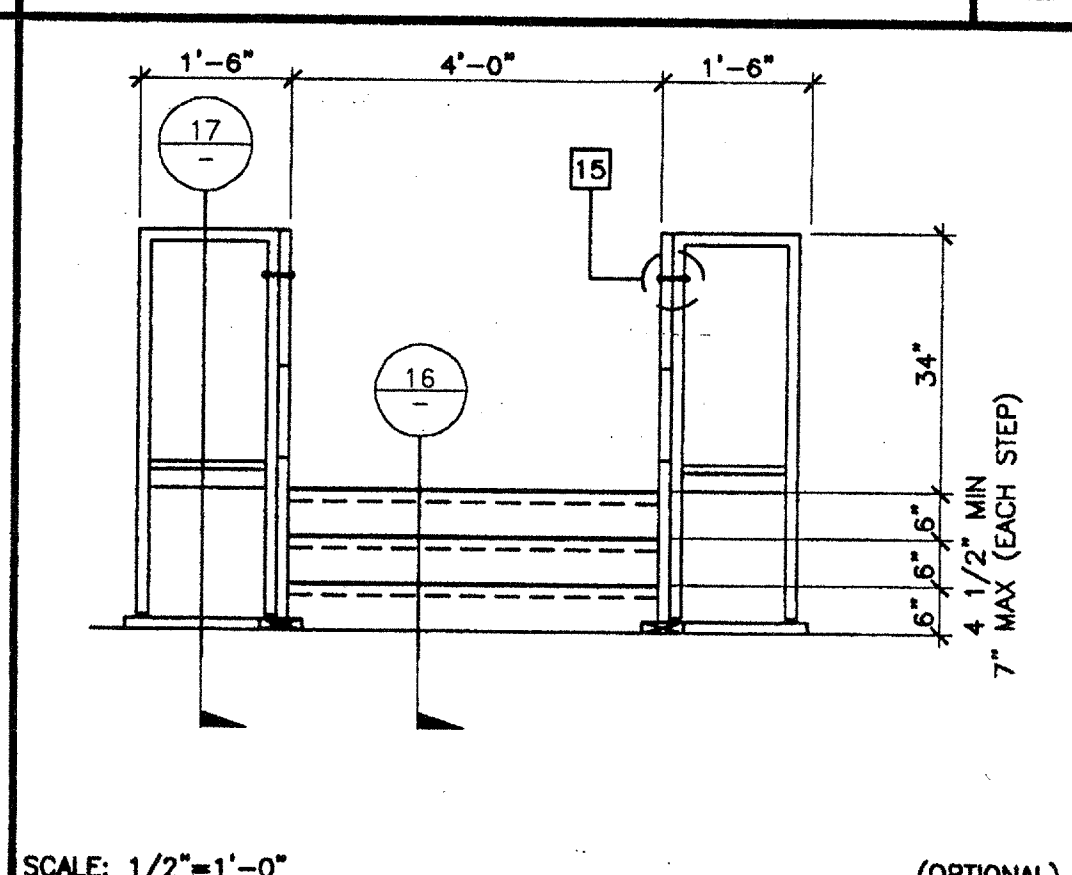
SCALE: 3"=1'-0"
ADJUSTABLE LEG 5



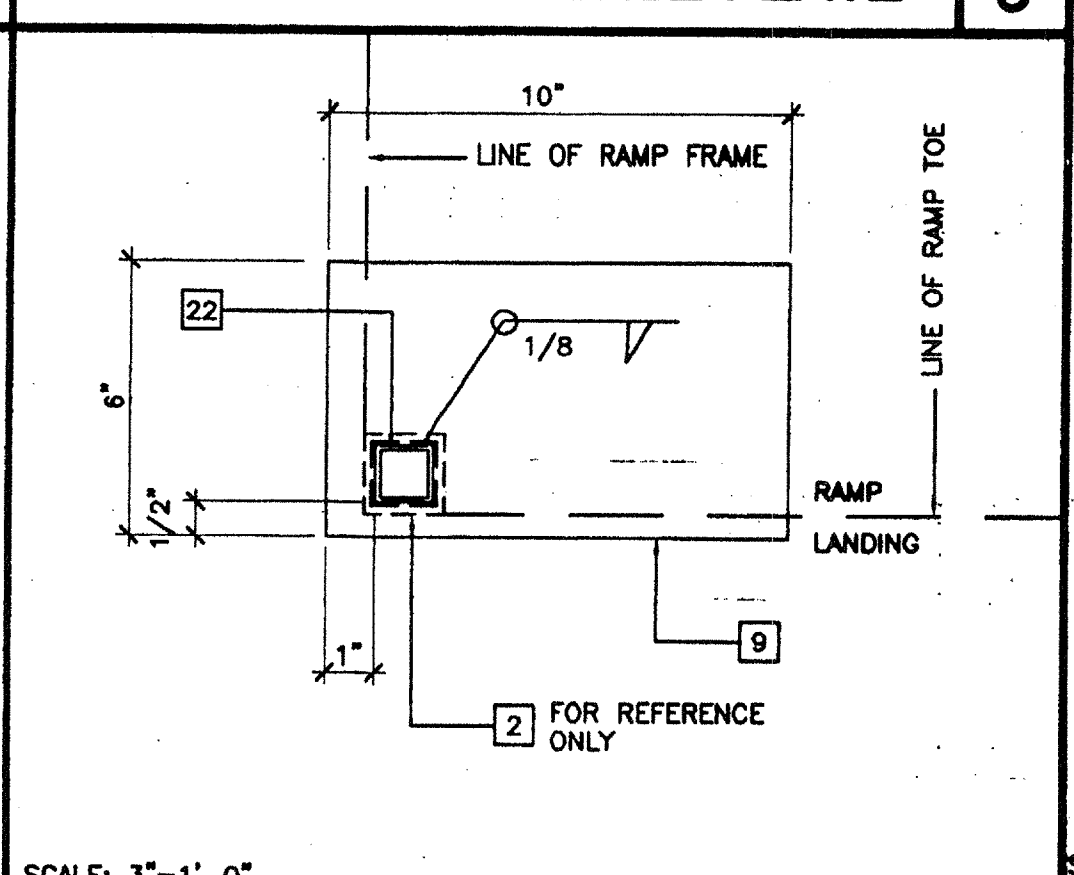
SCALE: 3/4"=1'-0"
SECTION AT RAMP 1



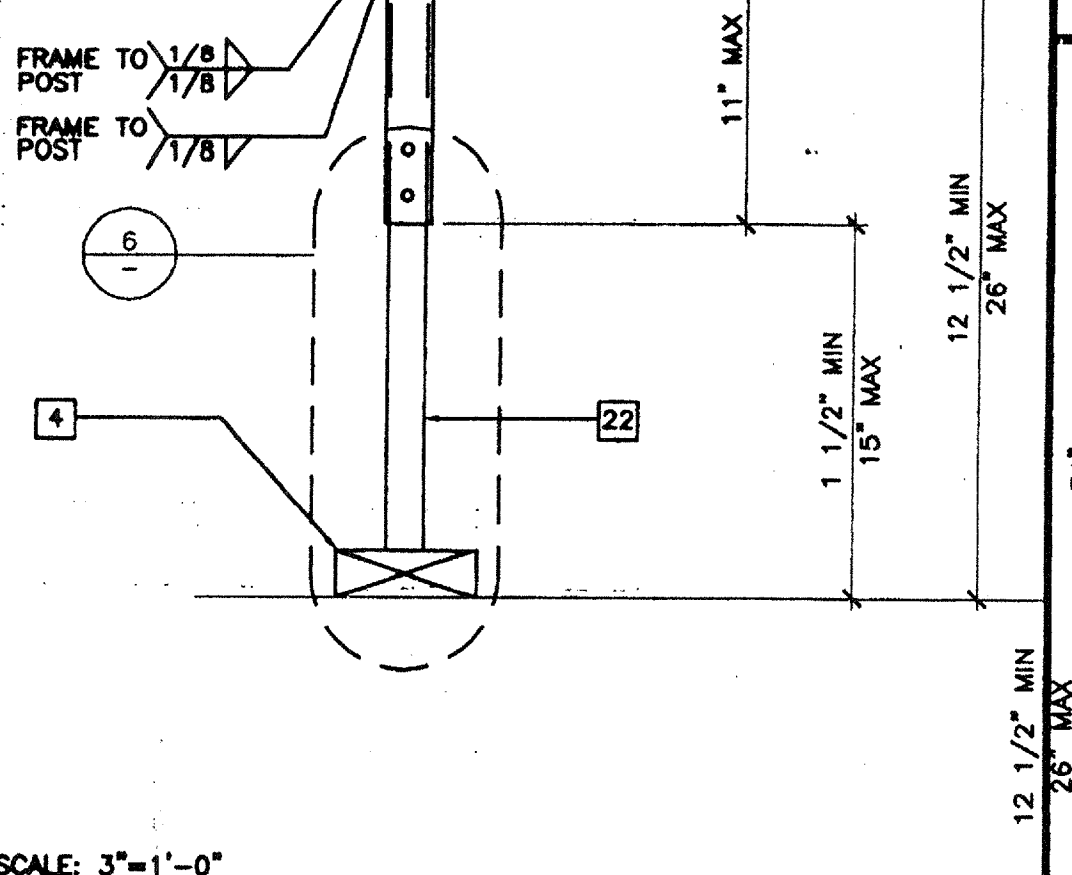
SCALE: 1/2"=1'-0" (OPTIONAL)
STAIR ELEVATION 17



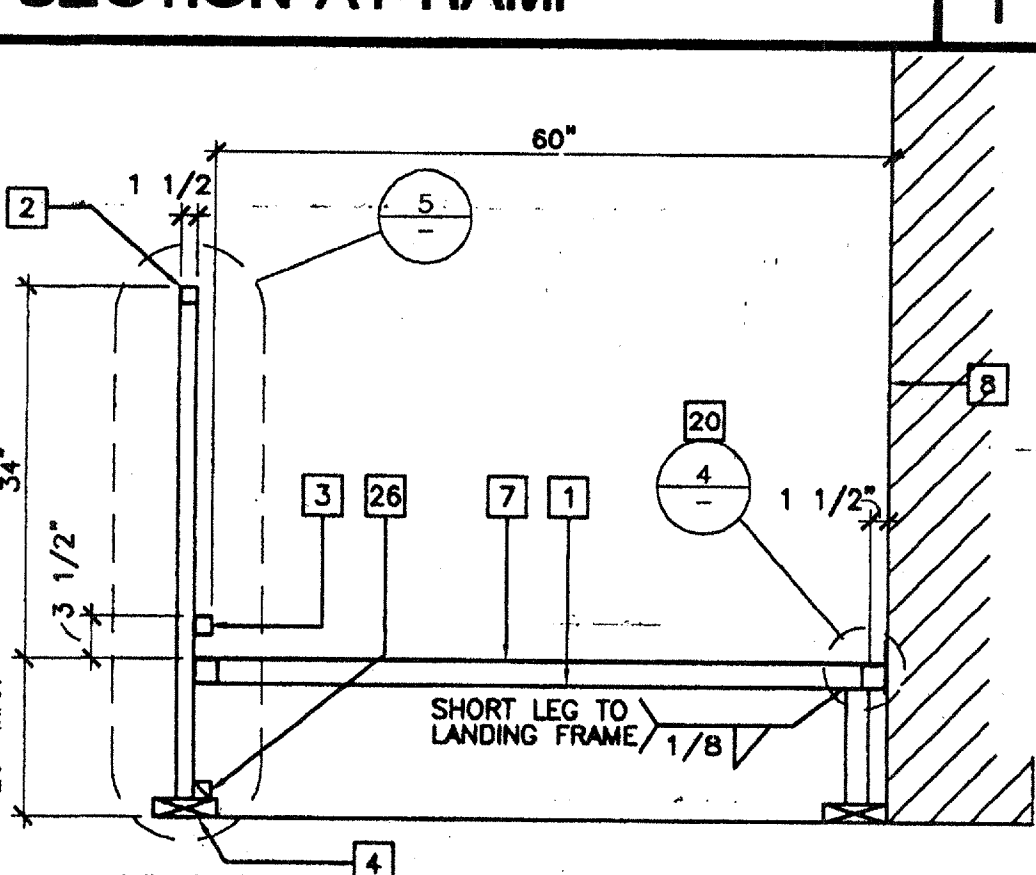
SCALE: 1/2"=1'-0" (OPTIONAL)
STAIR ELEVATION 13



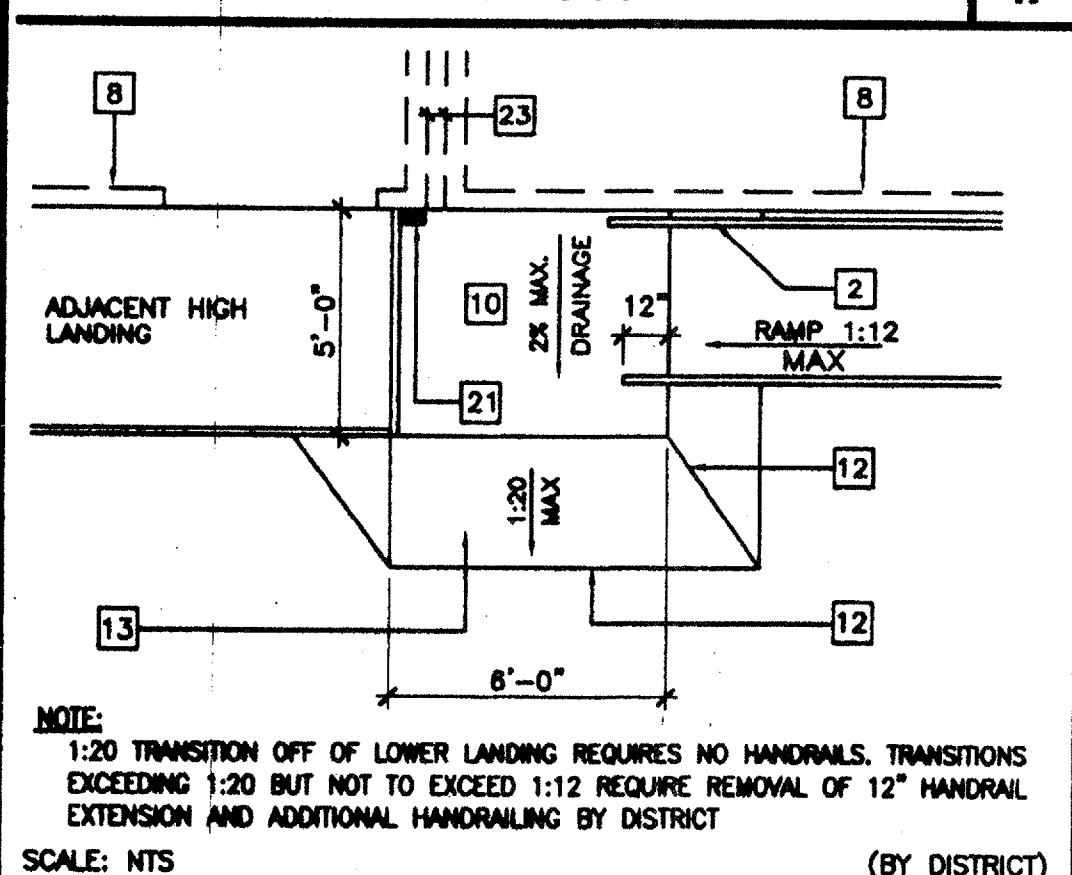
SCALE: 3"=1'-0" (OPTIONAL)
BASE PLATE AT RAMP TOE 9



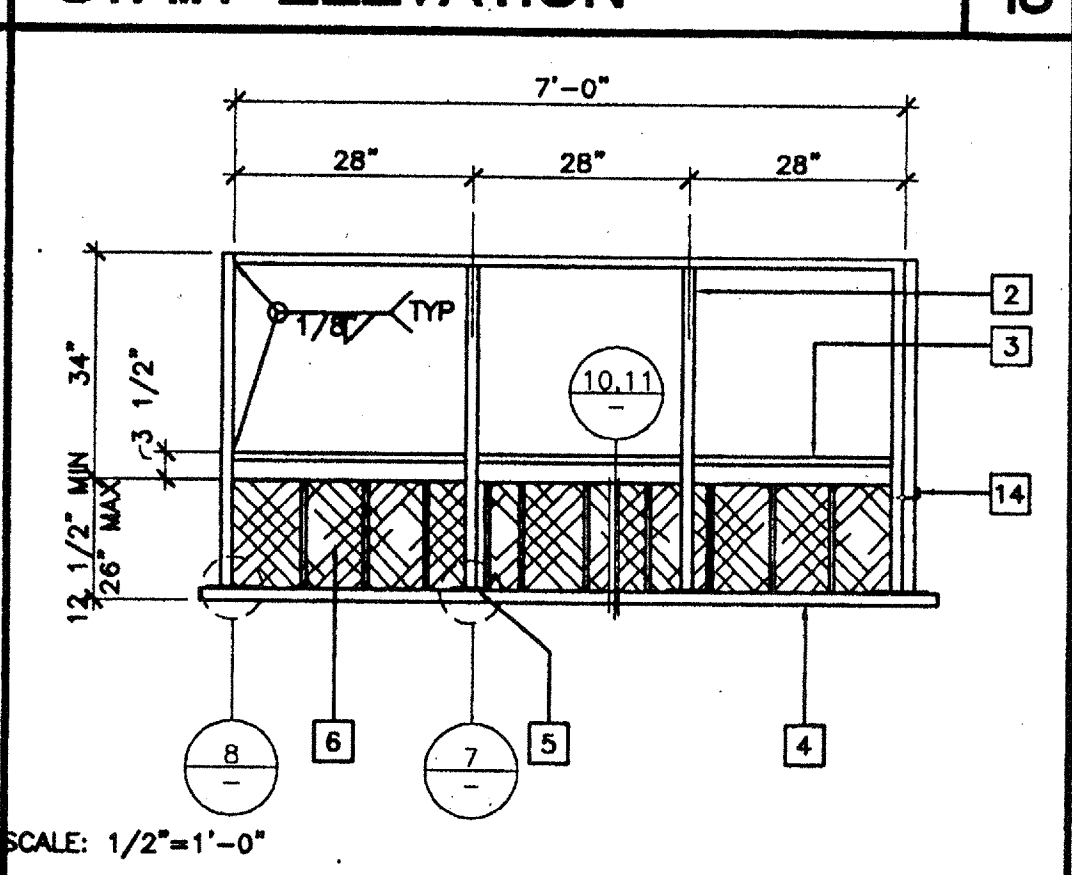
SCALE: 3"=1'-0"
ADJUSTABLE LEG 6



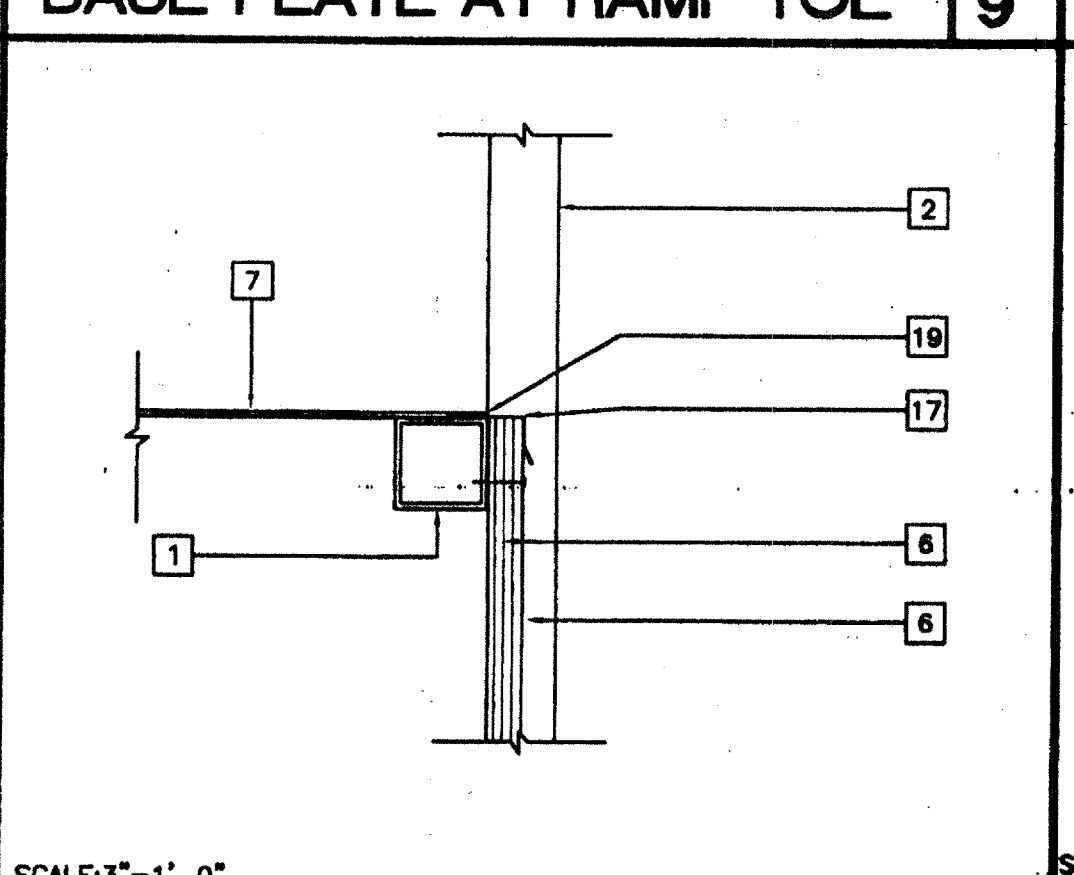
SCALE: 3/4"=1'-0"
SECTION AT LANDING 2



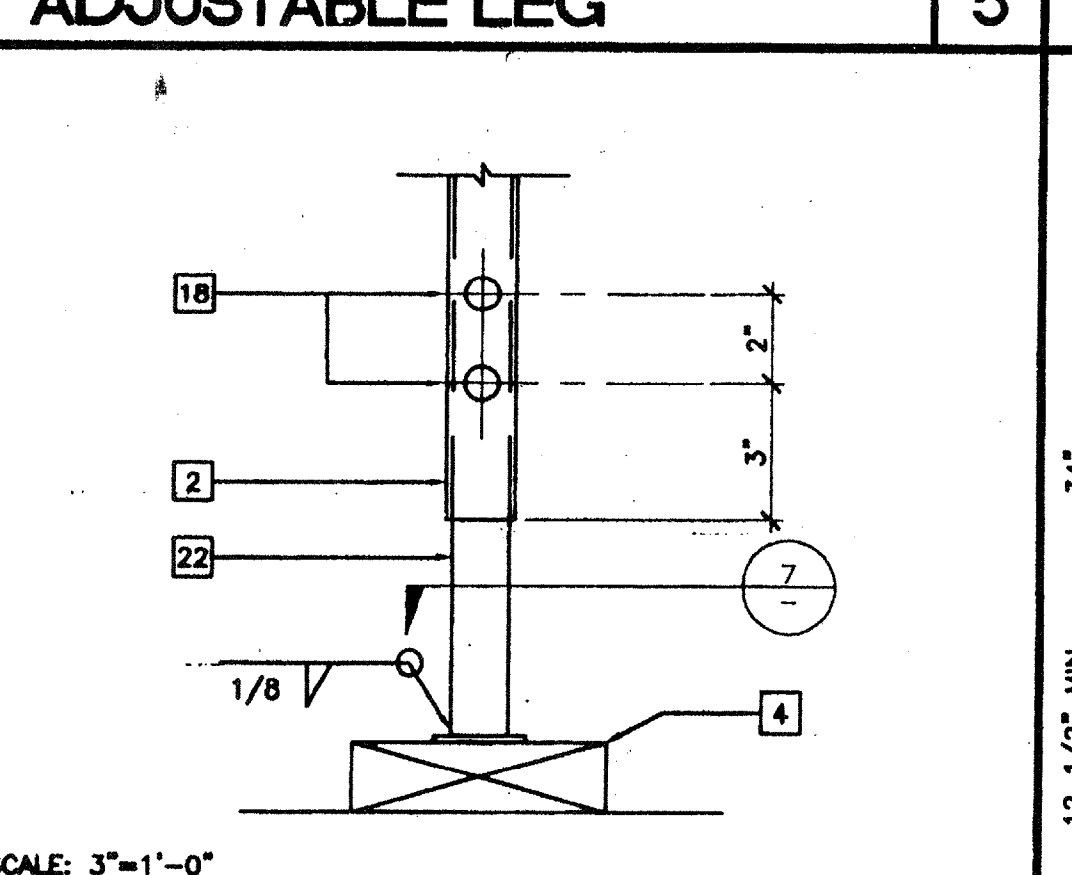
SCALE: NTS (BY DISTRICT)
RAMP TRANSITION 18



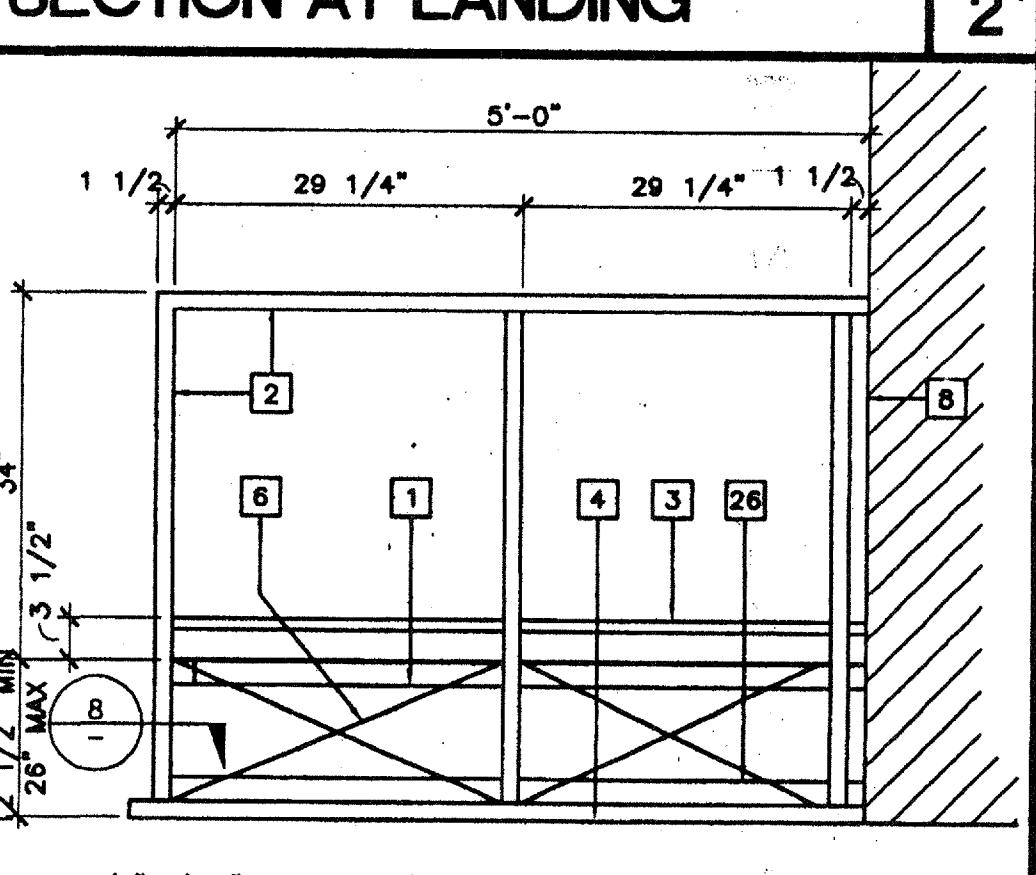
SCALE: 1/2"=1'-0" (BY DISTRICT)
LANDING ELEVATION 14



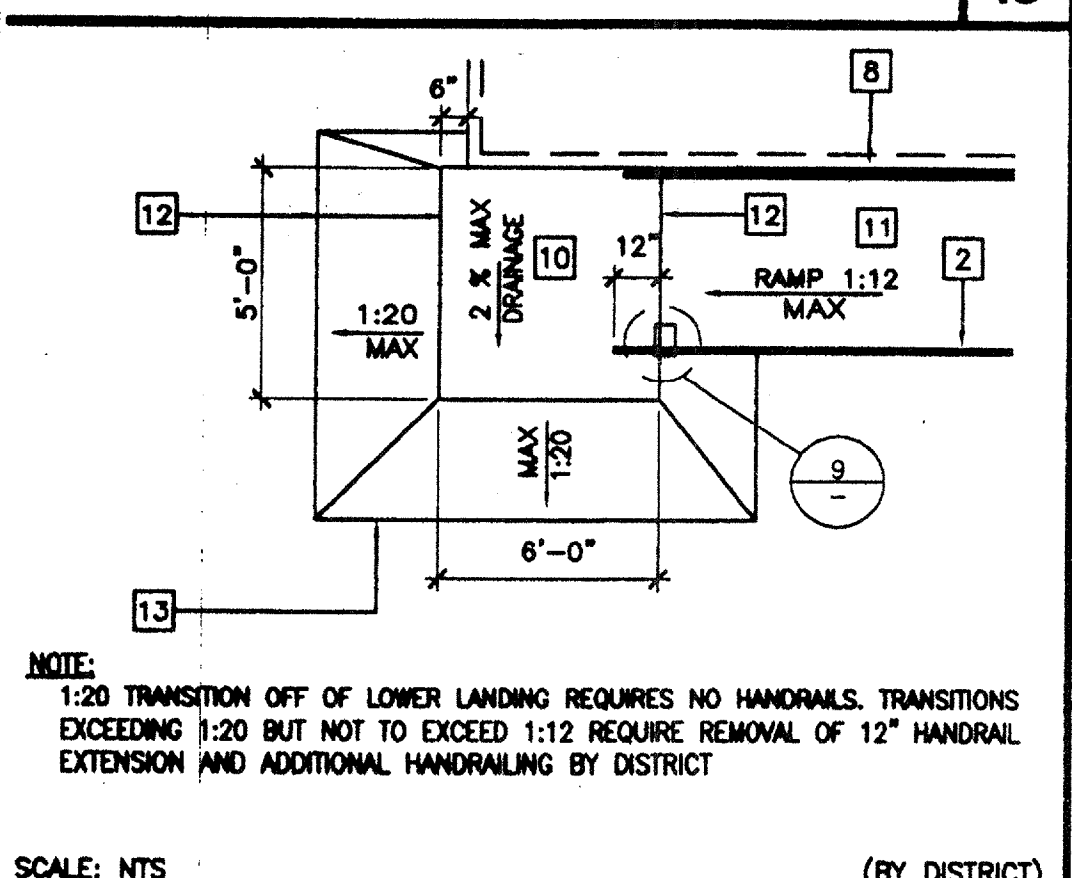
SCALE: 3"=1'-0" (BY DISTRICT)
SKIRT FLASHING 10



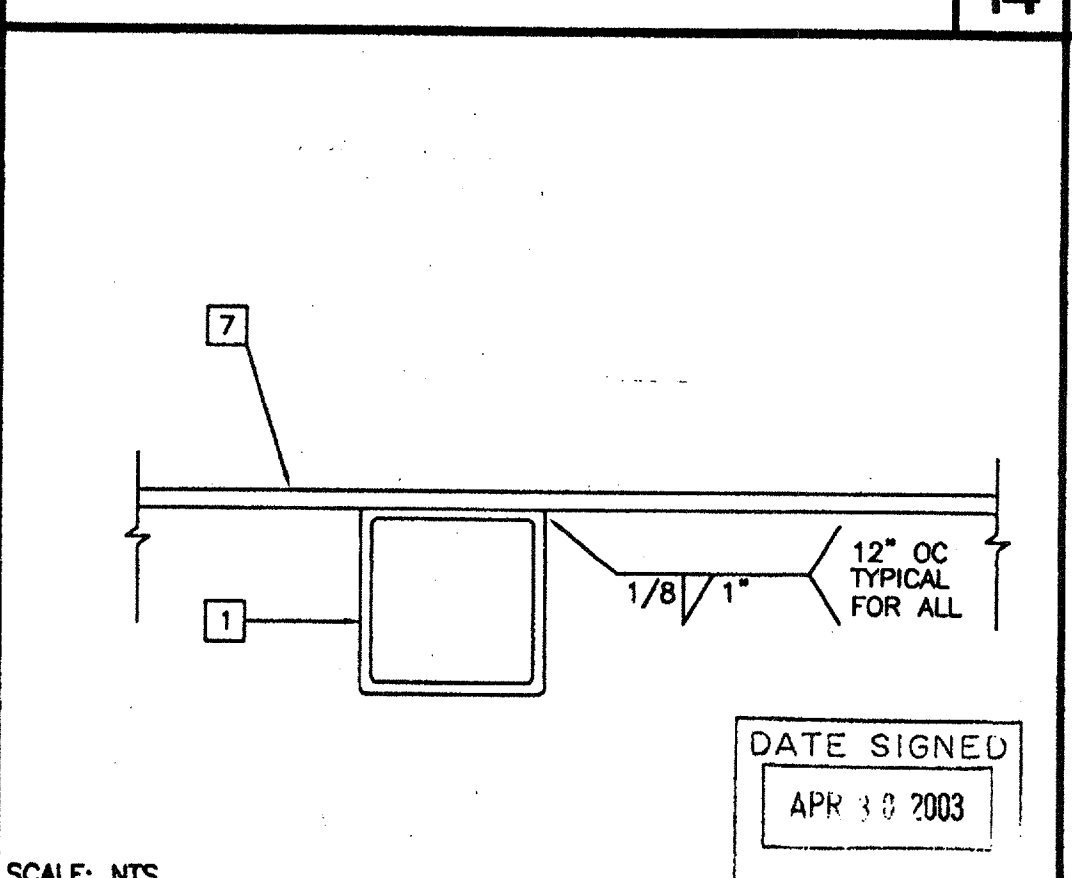
SCALE: 3"=1'-0" (BY DISTRICT)
ADJUSTABLE LEG 7



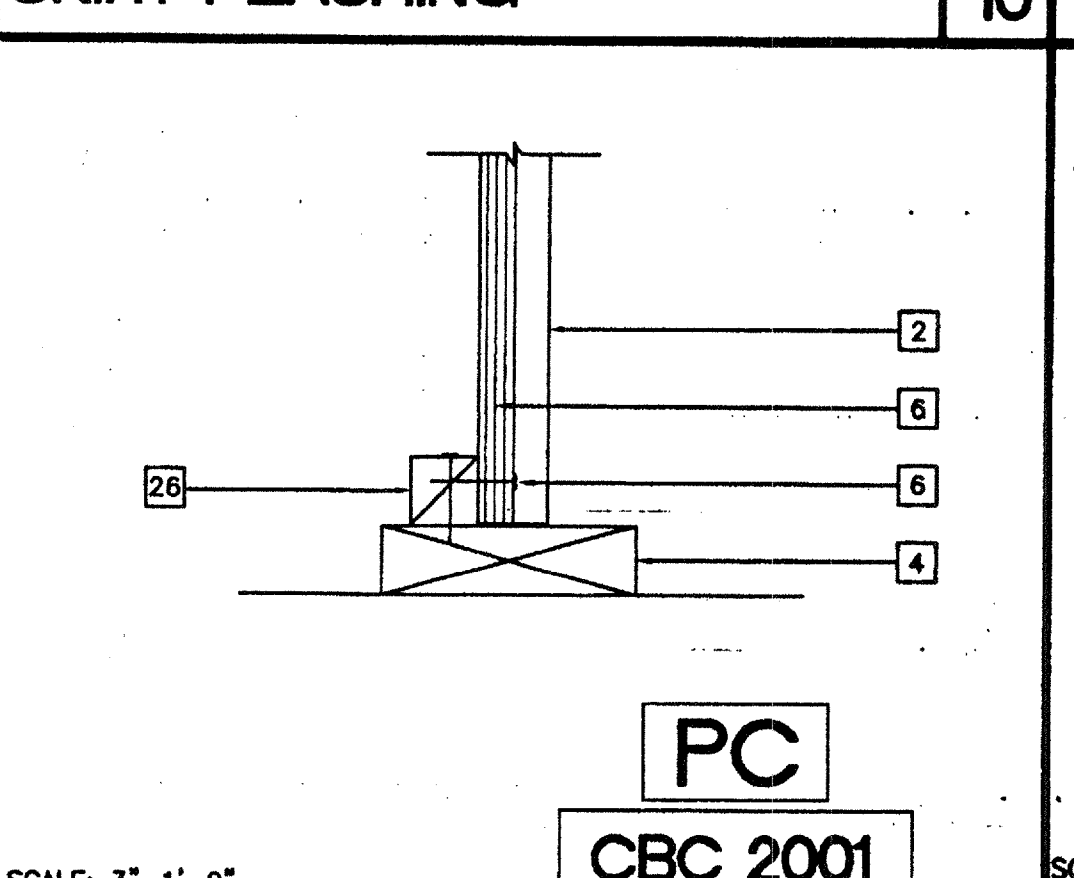
SCALE: 3/4"=1'-0" (BY DISTRICT)
END ELEVATION 3



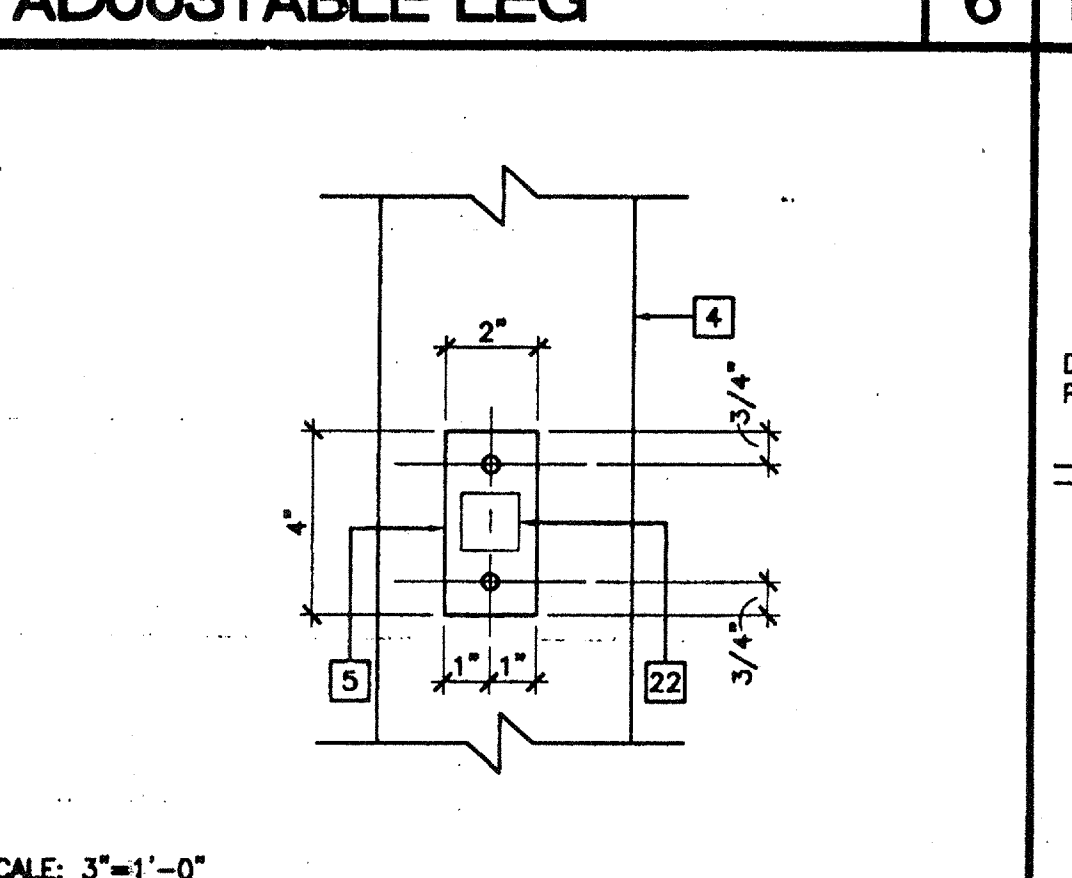
SCALE: NTS (BY DISTRICT)
RAMP TRANSITION 19



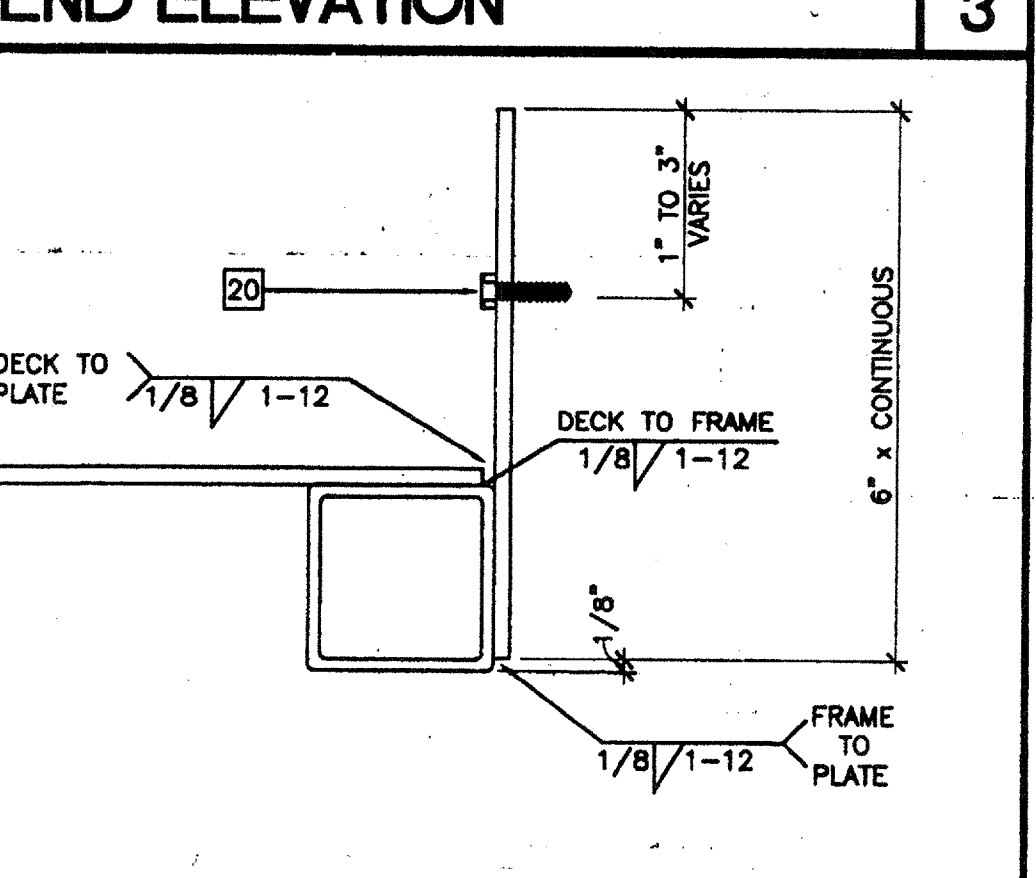
SCALE: NTS (BY DISTRICT)
SECTION AT INTERIOR FRAME 15



SCALE: 3"=1'-0" (BY DISTRICT)
SKIRT AT SILL PLATE 11



SCALE: 3"=1'-0" (BY DISTRICT)
ADJUSTABLE LEG BASE PLATE 7



SCALE: NTS (BY DISTRICT)
SECTION AT PLATE 4

KEY NOTES

- 1 TS 2"x2"x14 GA
- 2 TS 1 1/2"x1 1/2"x14 GA (Fy = 39 KSI), EASED OR ROUNDED CORNERS.
- 3 TS 1"x1"x16 GA WHEELCHAIR GUIDE
- 4 2"x8" PRESSURE TREATED SILL PLATE
- 5 2"x4"x12 GA BASE PLATE WITH 2-1/4"x1" LAGS
- 6 SKIRTING: PLYWOOD TO MATCH BUILDING SIDING. BLOCK ALL EDGES. ATTACH WITH Bd AT 6" OC EDGES AND 12" OC FIELD. AT EDGE CONNECTION TO TS. USE #14x2" TEK SCREWS AT 6" OC
- 7 12GA METAL DECK: NON-SLIP SURFACE. DESIGN COEFFICIENT OF FRICTION GREATER THAN 0.7 C.O.F. MAINTAINABLE FOR 1 YR. PROVIDE ROUNDED OR BEVELED EDGES ON STAIR NOSING
- 8 EXISTING BUILDING.
- 9 8"x10"x12 GA BASE PLATE AT RAMP TOE.
- 10 LOWER LANDING BY DISTRICT
- 11 RAMP BY MODTECH RAMP
- 12 FLUSH TRANSITION
- 13 PAVE BY DISTRICT
- 14 3"x1"x3'-0"x10 GA BENT PLATE
- 15 FASTEN POSTS WITH 3/8" DIA THRU BOLT, TYPICAL
- 16 RAMP LANDING, TYPICAL
- 17 26 GA FLASHING
- 18 3/8" DIAx2" LONG MB WITH NUT & WASHERS
- 19 CAULKING
- 20 8"x10GA CONTINUOUS PLATE WITH #14x2" TEK SCREWS AT 9" OC INTO WOOD OR FOUNDATION BLOCKS OR #14x2" TEK SCREWS INTO METAL AT 9" OC
- 21 PROVIDE DIVERSION FOR WATER FROM DOWNSPOUT FOR THIS CONDITION. BY DISTRICT
- 22 TS 1 1/4"x1 1/4"x14-GA. (Fy = 39 KSI)
- 23 4" MINIMUM BUILDING SEPARATION
- 24 2" SLIP RESISTANT WARNING STRIPES MAX 1" FROM EVERY STAIR NOSING. USE CONTRASTING COLOR.
- 25 TS 2 1/2"x1 1/2"x8 GA ASTM A500 GRADE A
- 26 2"x2" NAILER WITH 16d AT 12" OC
- 27 RAMP WIDTH MINIMUM CLEAR DIMENSION IS 4'-0" IF AT LEAST TWO EXIT/DISCHARGE ARE REQUIRED OR 5'-0" IF ONLY ONE EXIT/DISCHARGE IS REQUIRED. SEE CBC11338.5.2.2

REVISIONS

Electrical Engineer's Seal
Mechanical Engineer's Seal
PC Professional of Record Seal
Architects Seal

IDENTIFICATION STAMP
DIV. OF THE STATE ARCHITECT
OFFICE OF REGULATION SERVICES
PC-04
104801
DATE: 6/1/03

MODTECH™
2830 BARRETT AVENUE PH (909) 943-4014
PERRIS, CALIF. 92571 FAX (909) 940-0427

PROJECT NUMBER: 4012-125
© MODTECH, INC. 2002
DRAWN BY: STKP-70
DATE: 05-22-03
CHECKED BY: [Signature]
DATE: [Signature]
MODTECH Index No. R1.02

IDENTIFICATION STAMP
DIV. OF THE STATE ARCHITECT
OFFICE OF REGULATION SERVICES
04 105299
DATE: MAY 22 2003

FILE PATH: 2440-RT.02.DWG PROJECT NO. PC-04-104801