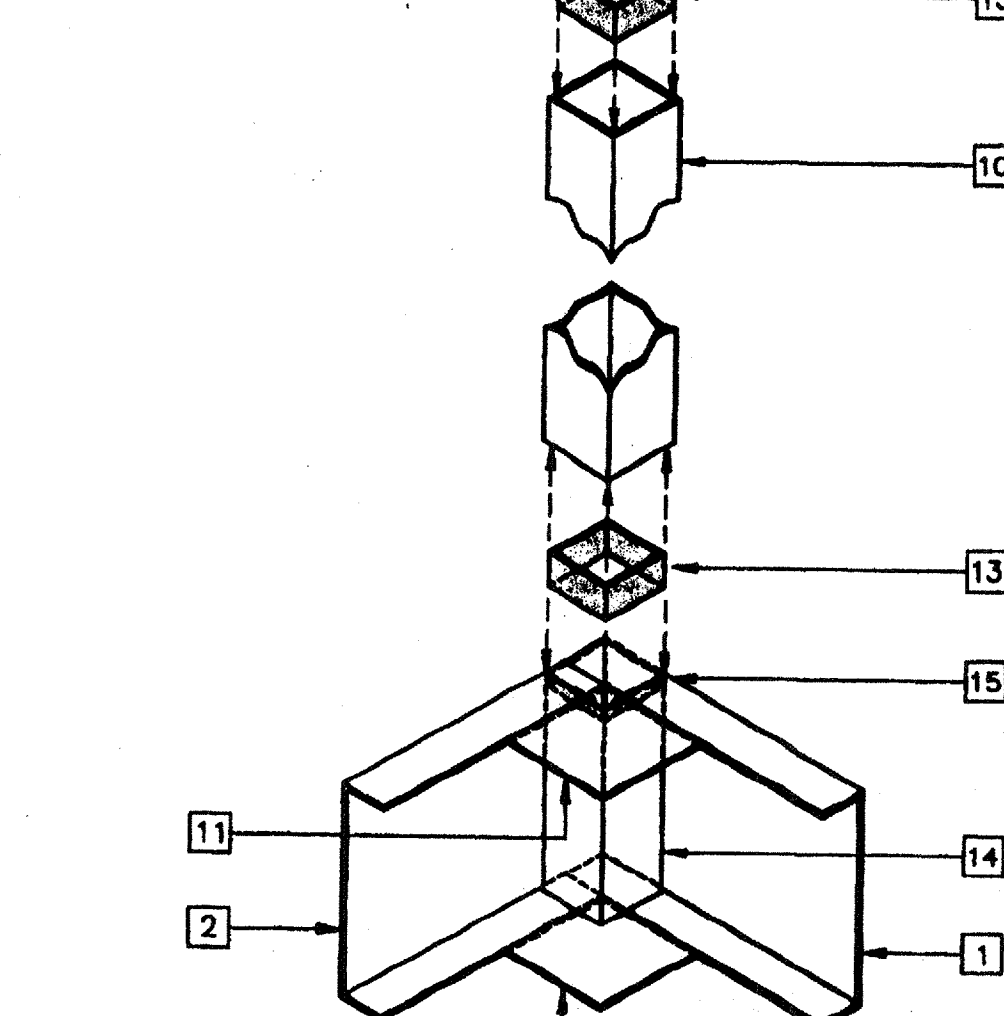
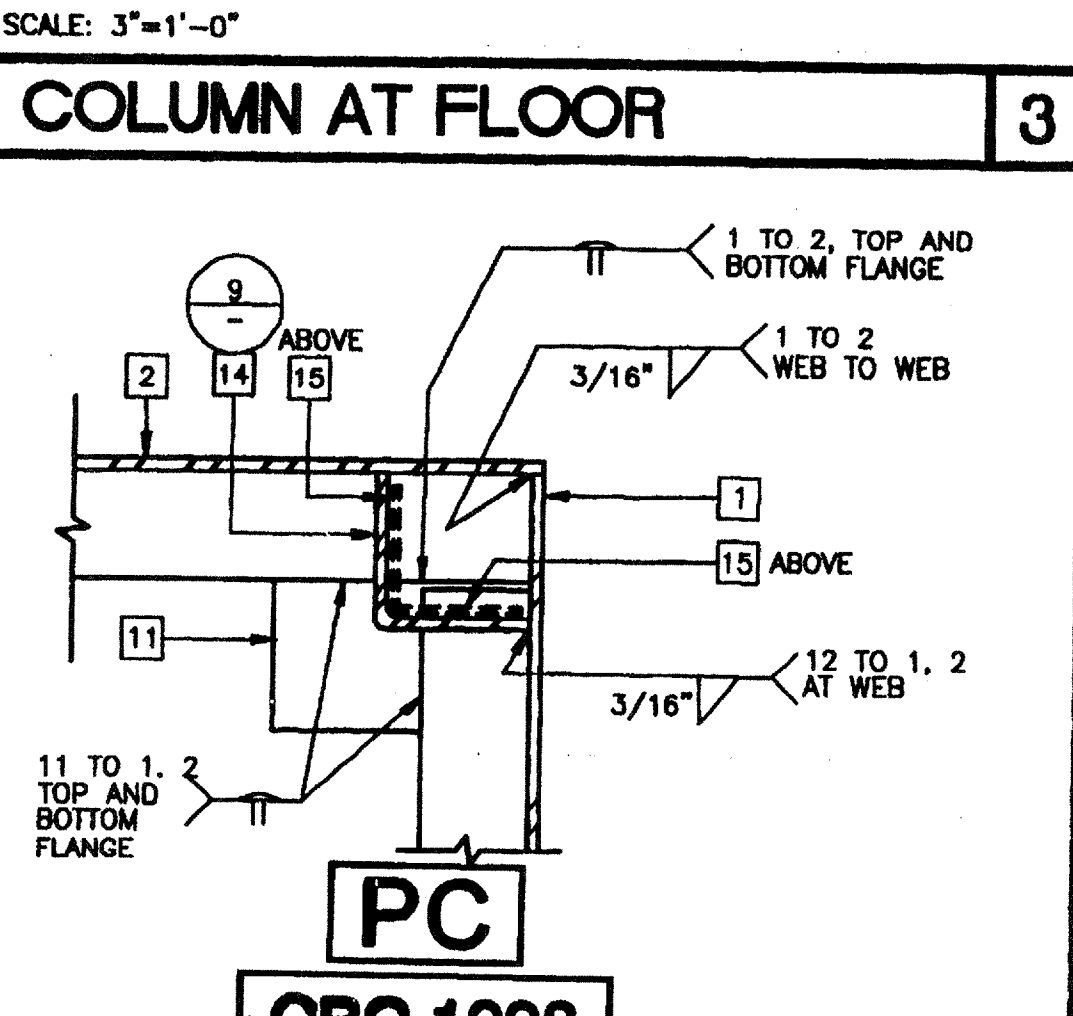
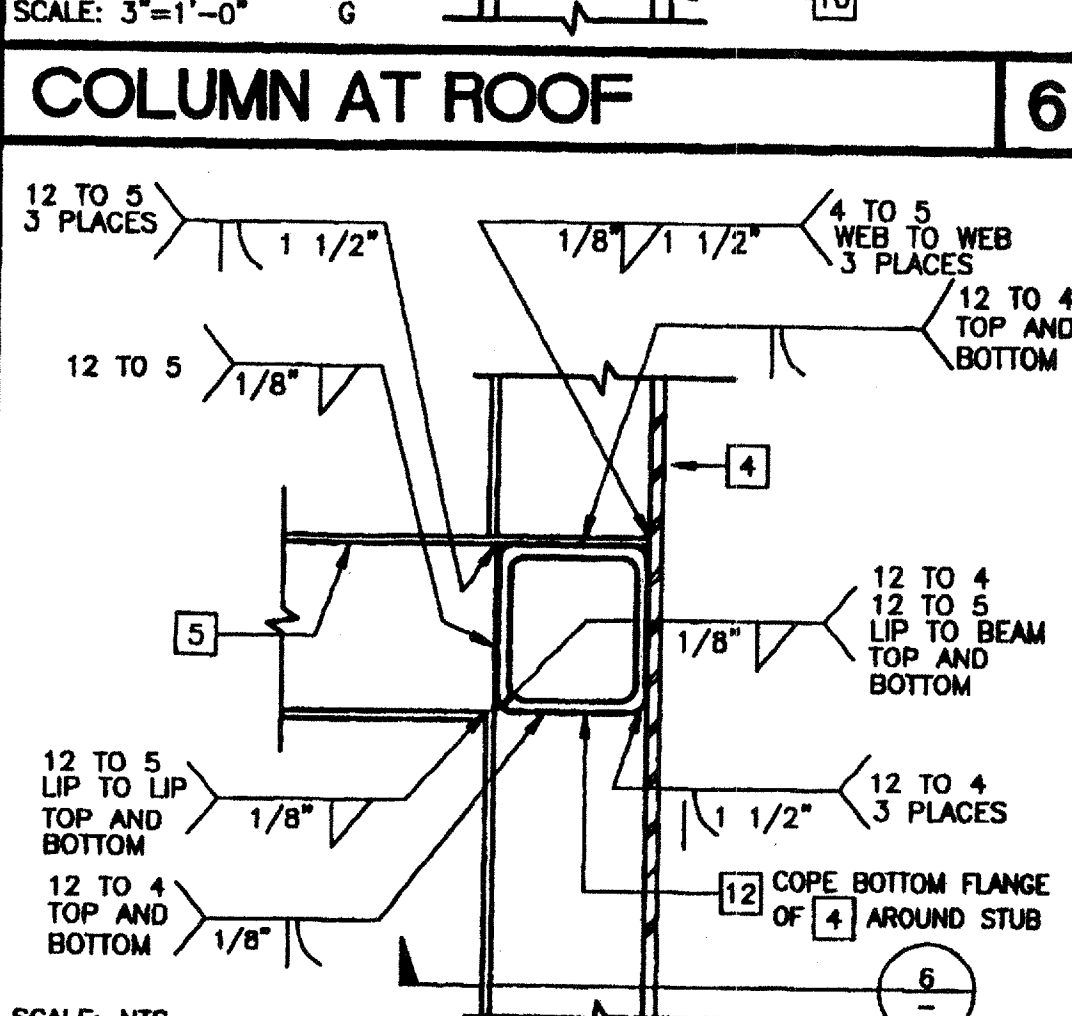
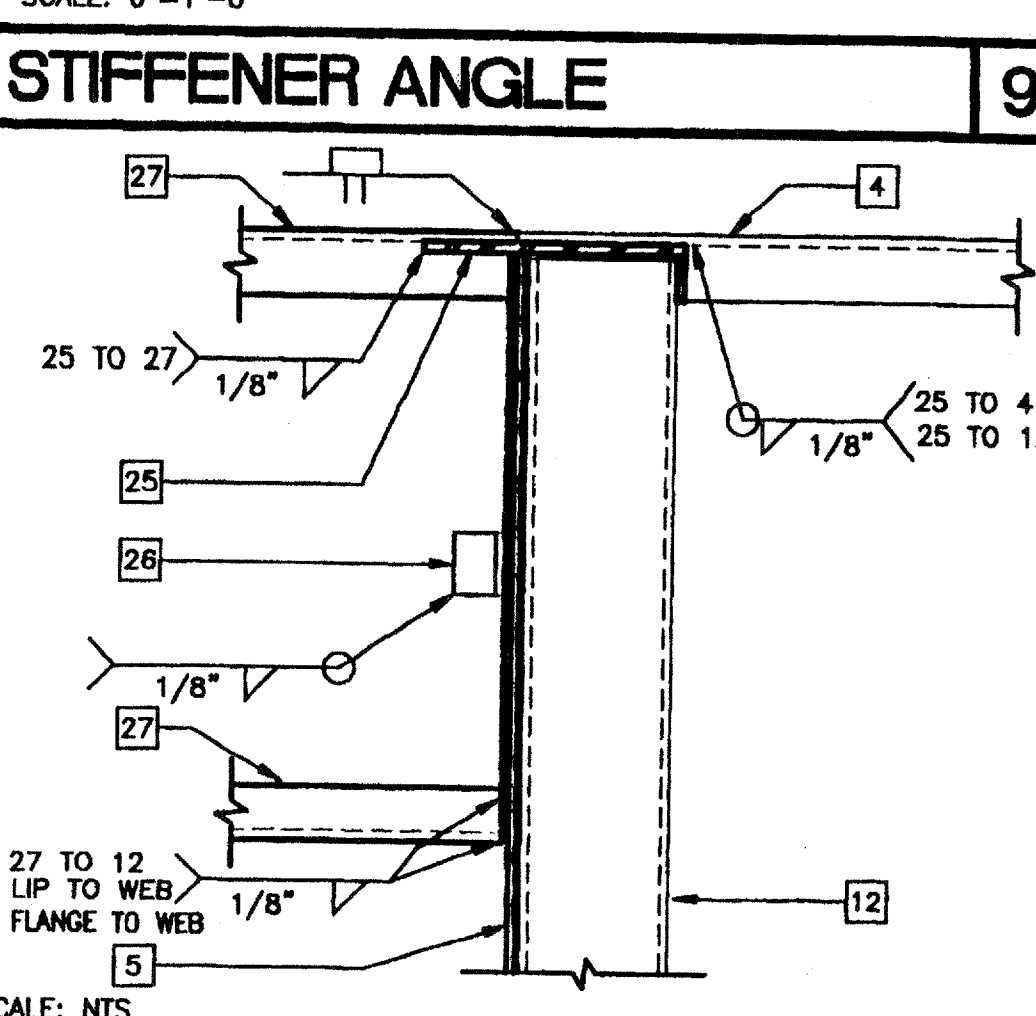
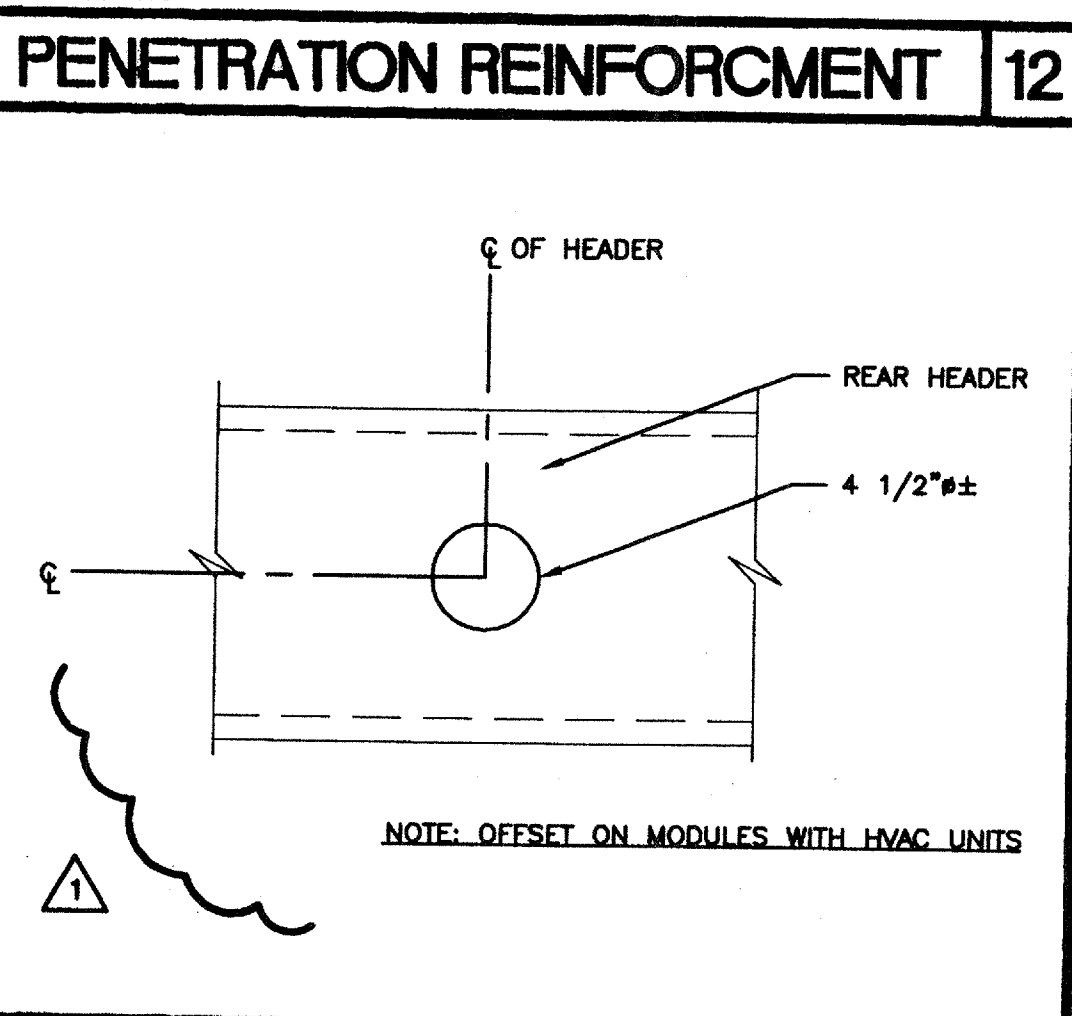
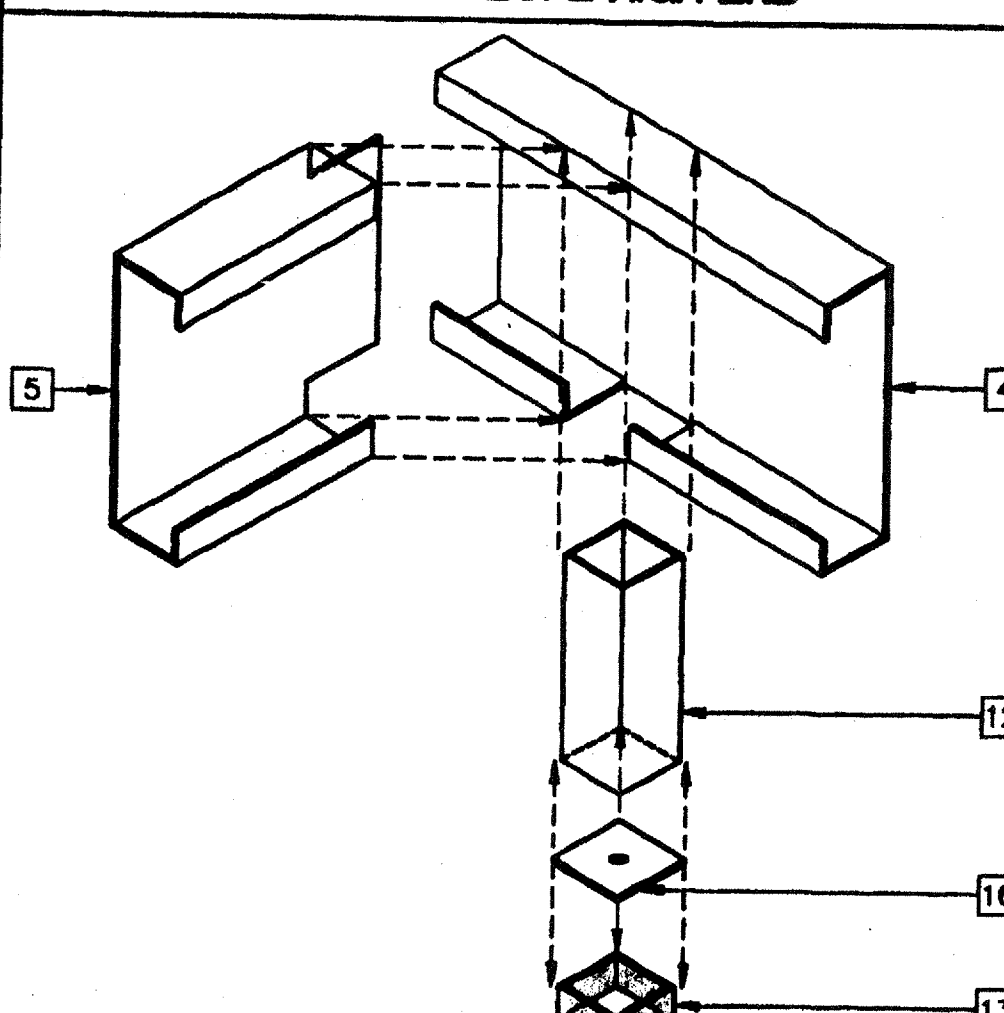
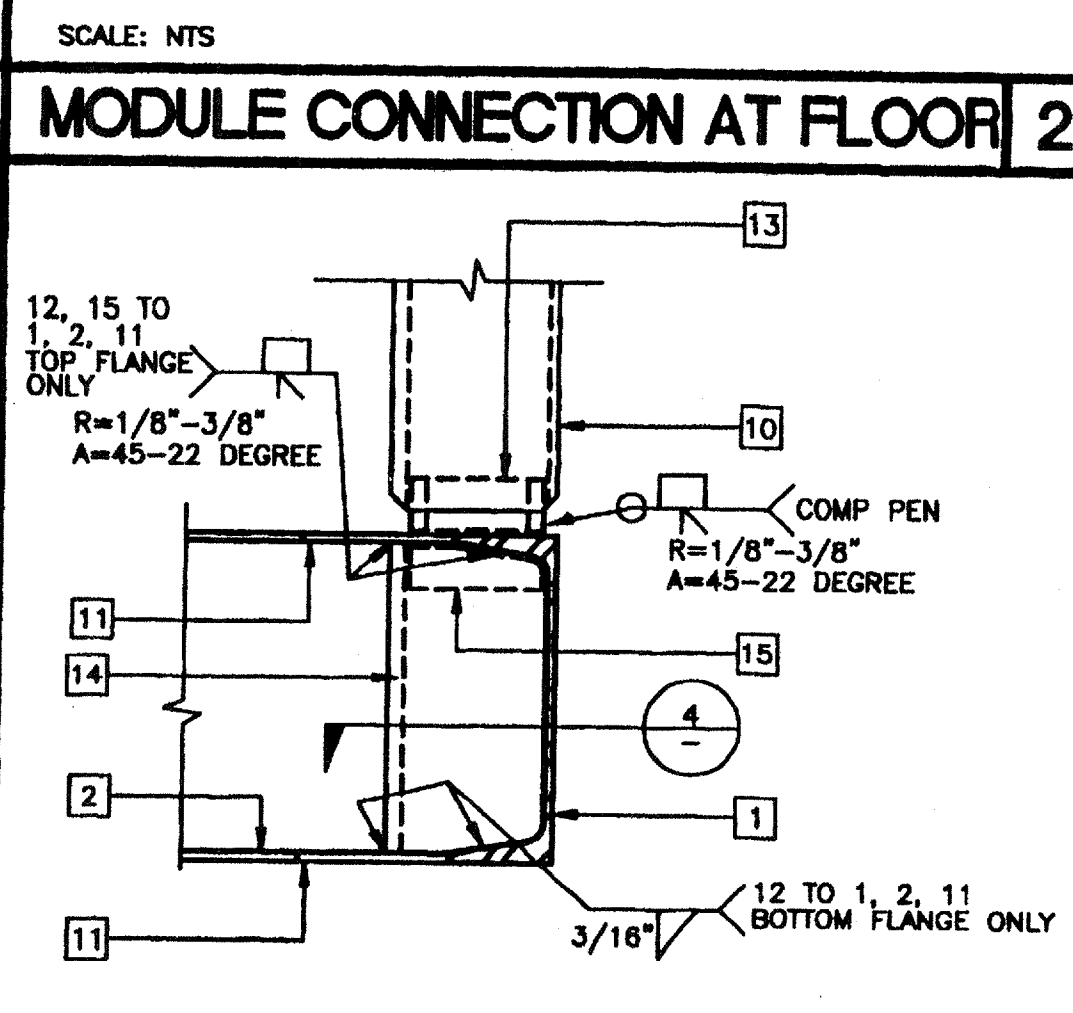
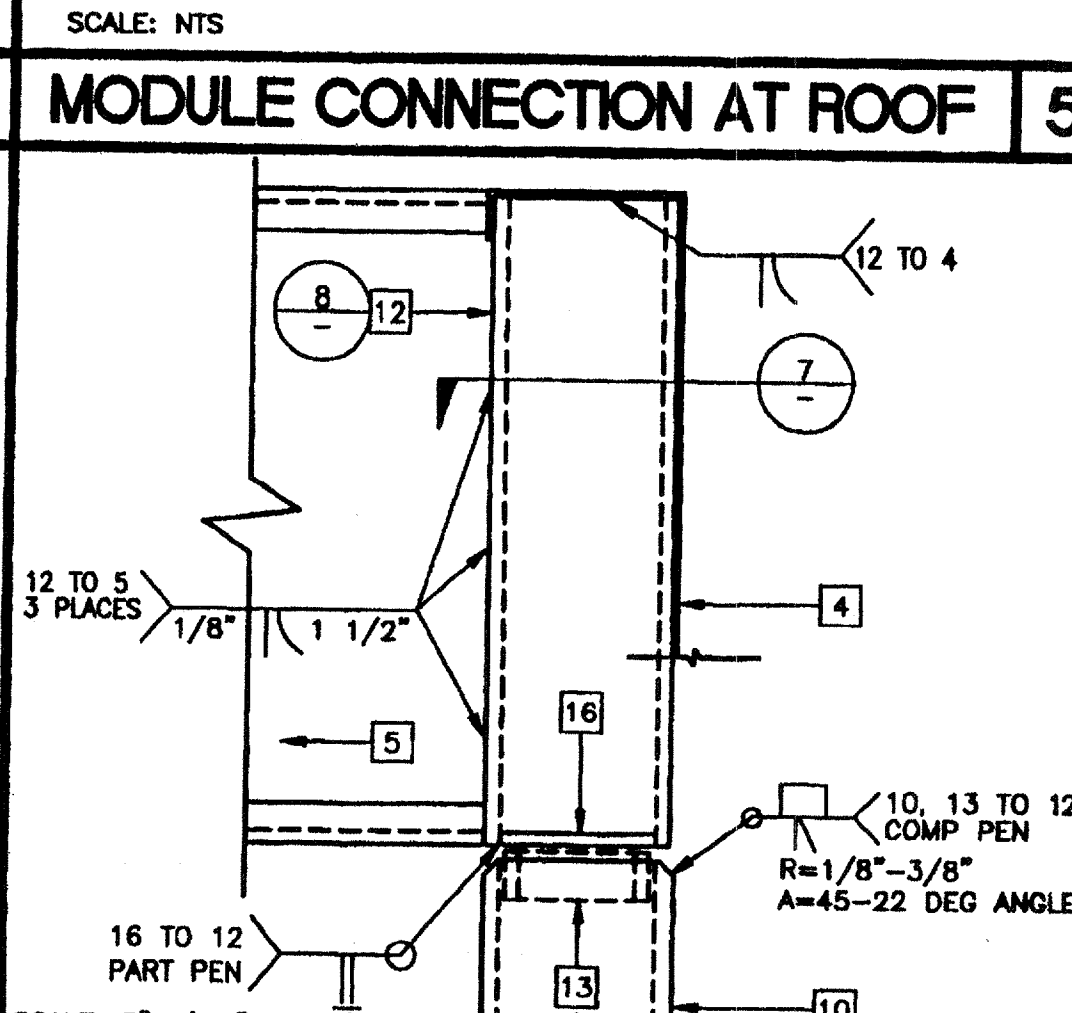
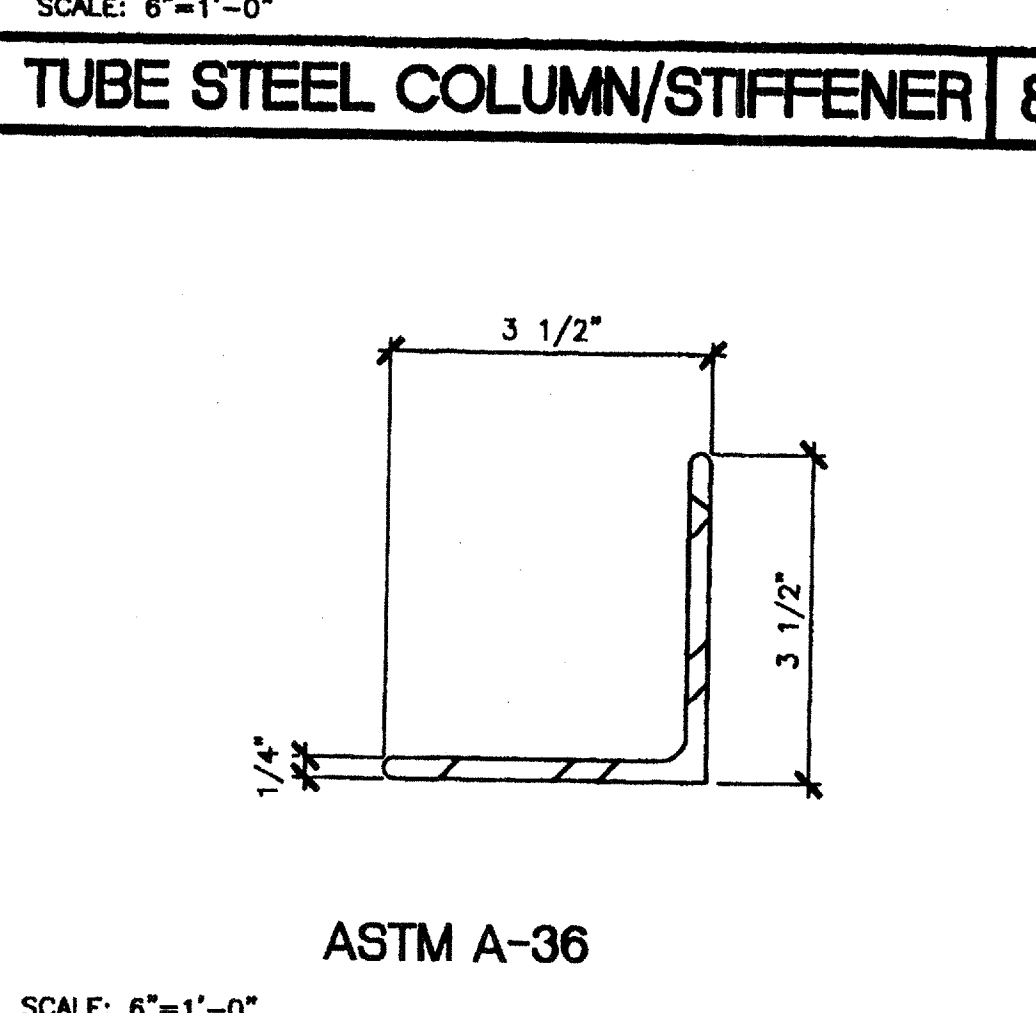
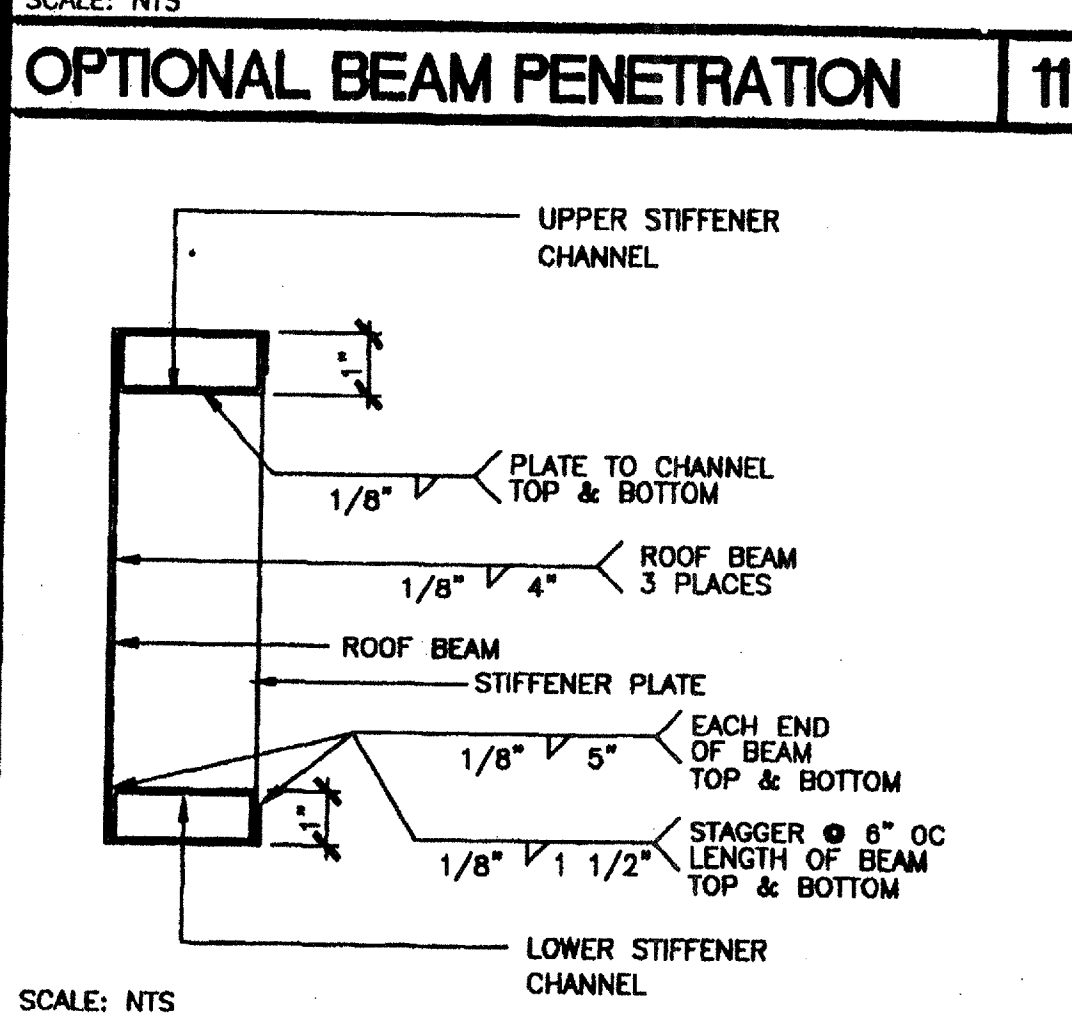
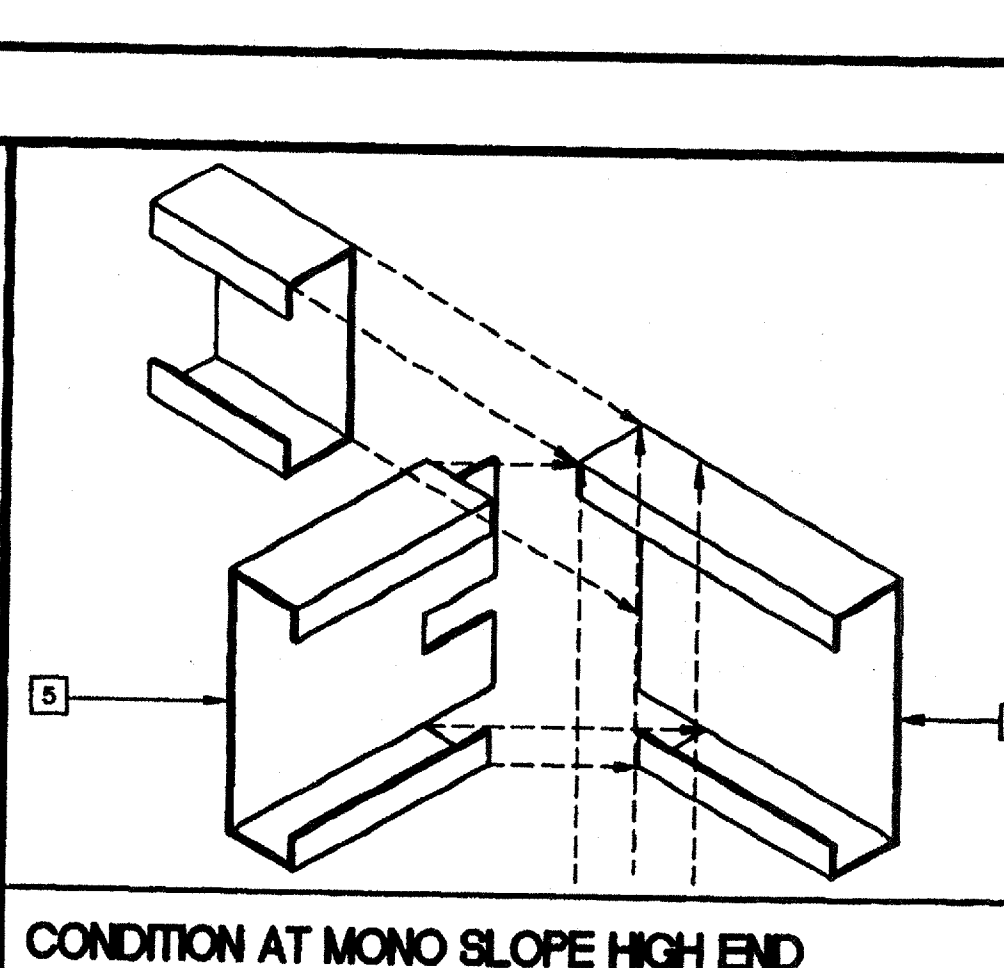
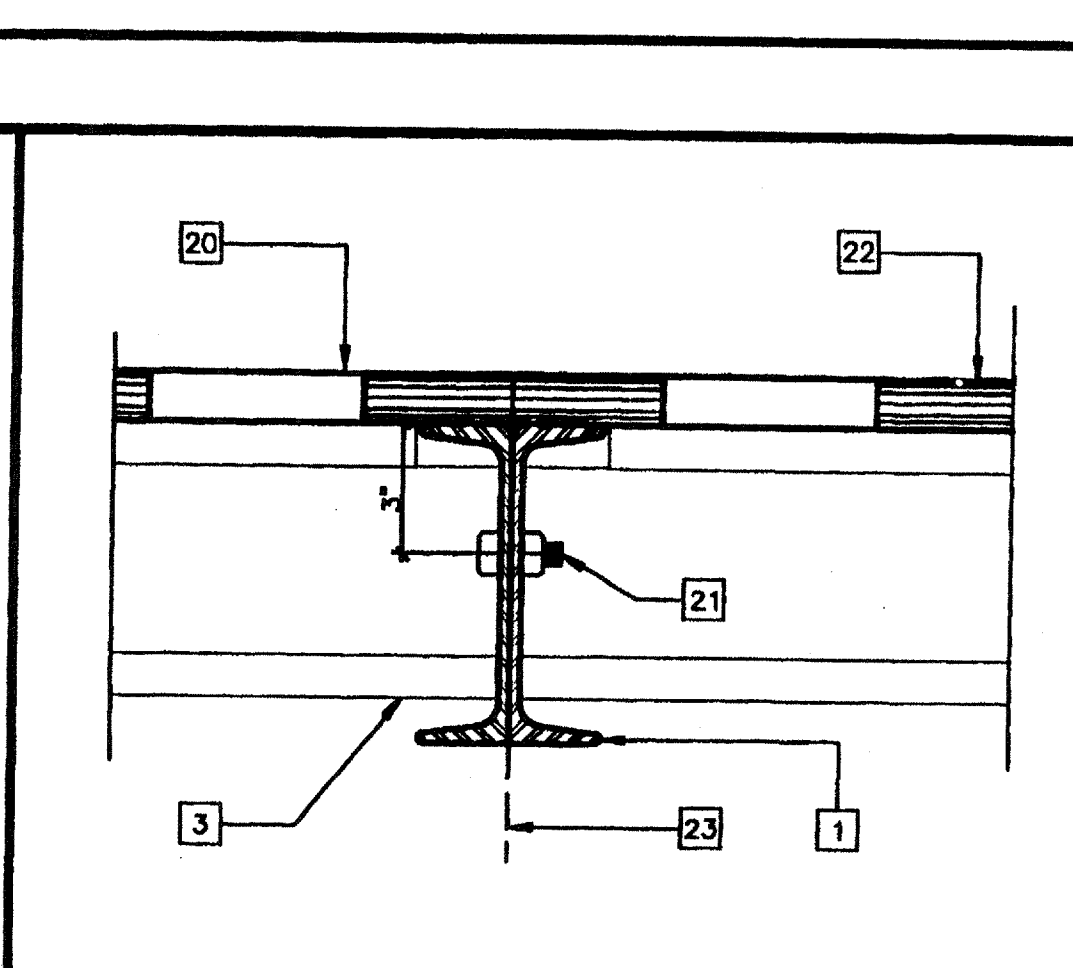
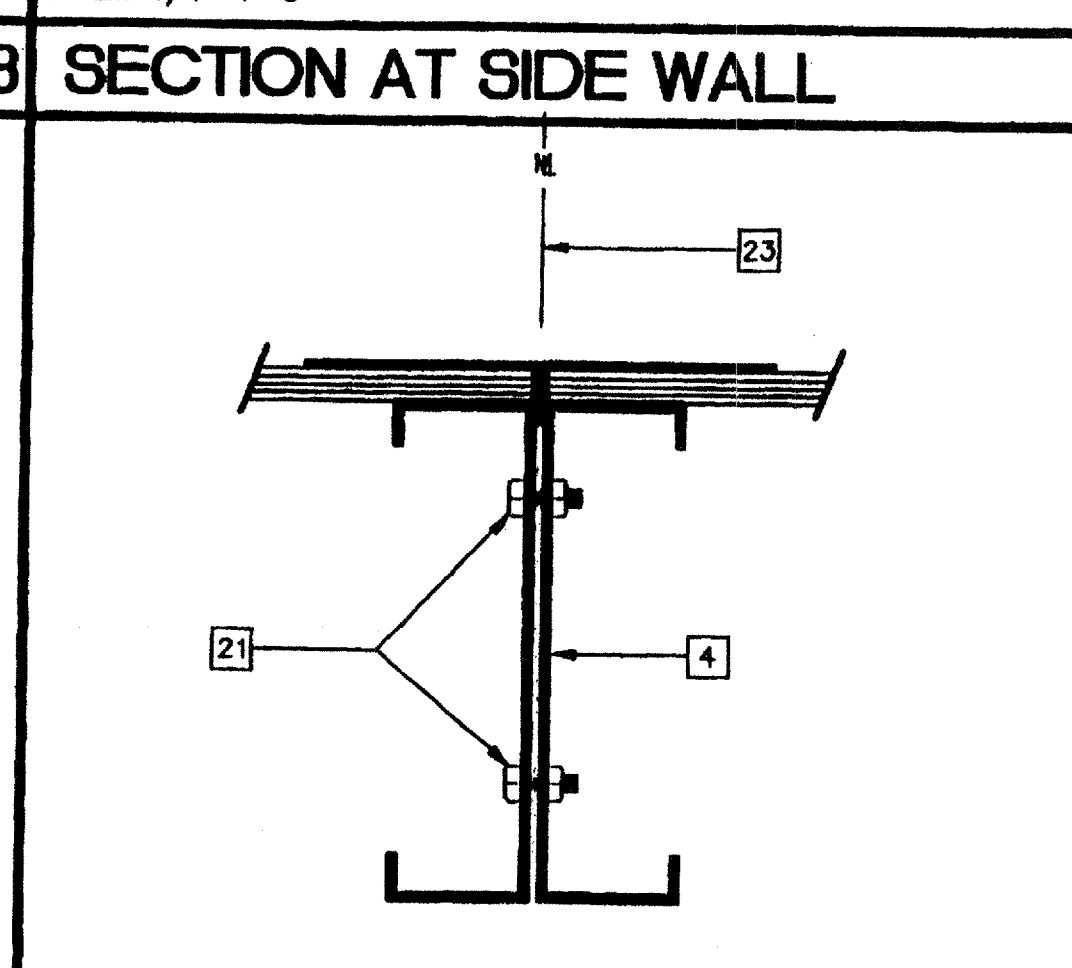
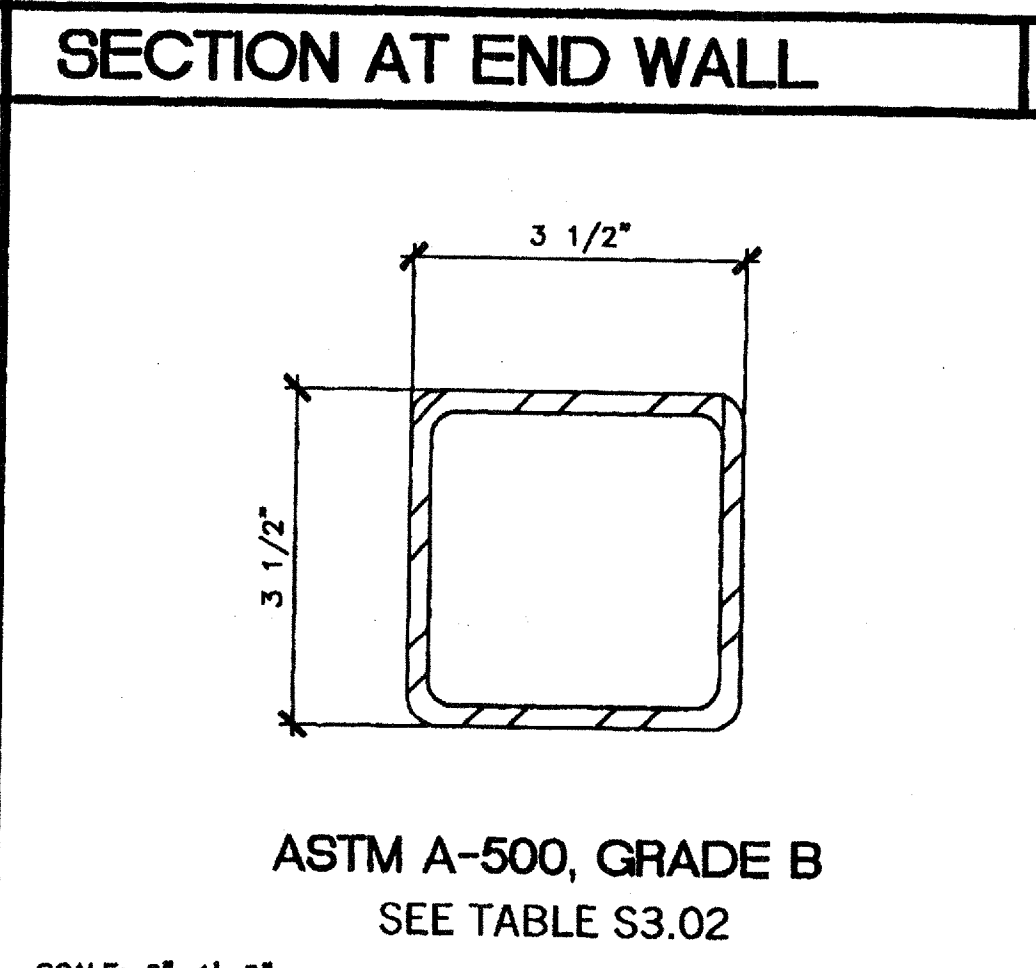
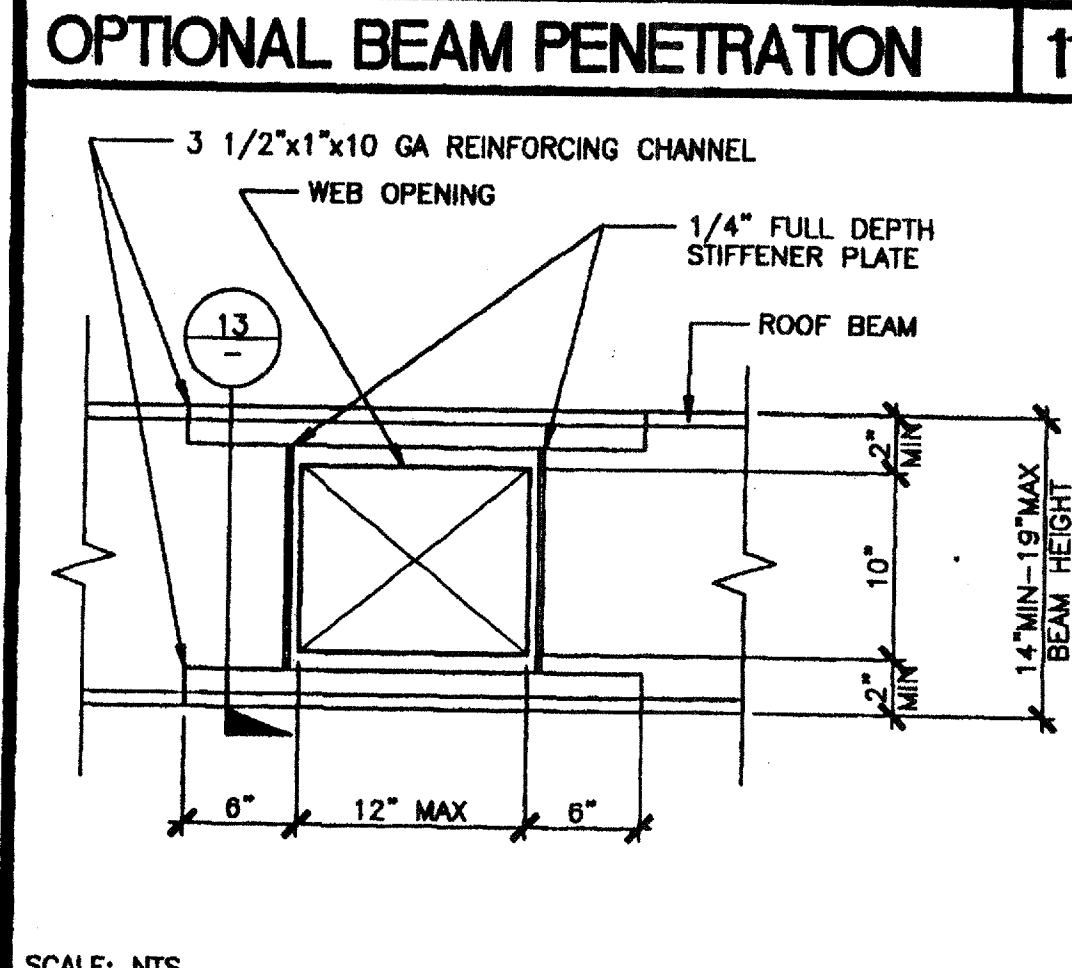


- ### KEY NOTES
- FLOOR BEAM - 1/S1
 - FLOOR HEADER - 1/S1
 - FLOOR JOIST - 2/S1
 - TAPERED ROOF BEAM - 1/S2.02
 - ROOF HEADER - 2/S2.02
 - ROOF FASCIA AT 2'-8" OVERHANG - 3/S2.02
 - ROOF FASCIA AT 5'-0" OVERHANG - 3/S2.02
 - ROOF PURLIN - 4/S2.02
 - 1/4" FULL DEPTH STIFFENER PLATE AT 8'-0" OC TYPICAL ALIGN WITH PURLIN - 9/S2.02
 - TUBE STEEL COLUMN, SEE TABLE BELOW - 8/S3.02
 - 3 1/2"x3 1/2"x1/4" STEEL STIFFENER PLATE. WHEN CONCRETE FOUNDATIONS ARE USED REPLACE LOWER PLATE WITH 5"x8"x1/4" ANCHOR BOLT PLATE - 3/S1
 - 3 1/2"x3 1/2"x1/4" TUBE STEEL STUB
 - (1) 3"x3"x10 GA TUBE STEEL BACK UP TUBE OR (4) 10 GA BACK UP PLATES
 - 3 1/2"x3 1/2"x1/4" ANGLE STIFFENER
 - BACK-UP PLATE - 10 GA MIN
 - 1/4" BASE PLATE - INSERT FLUSH WITH STIFFENER TUBE
 - HVAC DUCT OPENING - 12/S2.02
 - NOT USED
 - 1/4" FULL DEPTH STIFFENER PLATE AT 4'-0" OC AT EXTERIOR SIDEWALLS ONLY FOR 80 MPH DESIGN WIND LOAD ONLY
 - HAND HOLE AT BOLT LOCATION
 - 5/8" MB A307 AT MODULE CONNECTION JOINT - SEE FLOOR/ROOF FRAMING PLANS
 - FLOOR SHEATHING
 - MODULE JOINT
 - NOT USED
 - 3 1/2"x4 1/2"x1/4" PLATE UNDER BEAM FLANGE
 - STEEL ANGLE WELD TAB
 - 8"x3 1/2"x14 GA OVERHANG BEAM - 3/S2.02
 - ATTIC RELIEF VENT - SEE 13/-



COLUMN SIZE TABLE

DESIGN WIND LOAD	COLUMN SIZE
80 MPH	3 1/2"x3 1/2"x5/16"

REVISIONS

NO.	DESCRIPTION	DATE
1	MCA ADDED ATTIC RELIEF INFO	04/09/02

Electrical Engineer's Seal
Mechanical Engineer's Seal
Structural Engineer's Seal

IDENTIFICATION STAMP
DIV. OF THE STATE ARCHITECT
OFFICE OF REGULATION SERVICES
PC-04
101268
DATE: SEP 17 1999

MODTECH INC.
2830 BARRETT AVENUE
PERRIS, CALIF. 92572
PH (909) 943-4014
FAX (909) 940-0427

PROJECT NUMBER: 4134, 4153, 4173, 4250 © MODTECH, INC. 2001
4284, 4373, 4422, 4506

STKP-62
DRAWN BY: M. ANDERSEN
DATE: APR 15 2002
CHECKED BY: 4012-121
DATE: 04-16-02

STRUCTURAL FRAMING 26 GA MONO PITCH S3.02