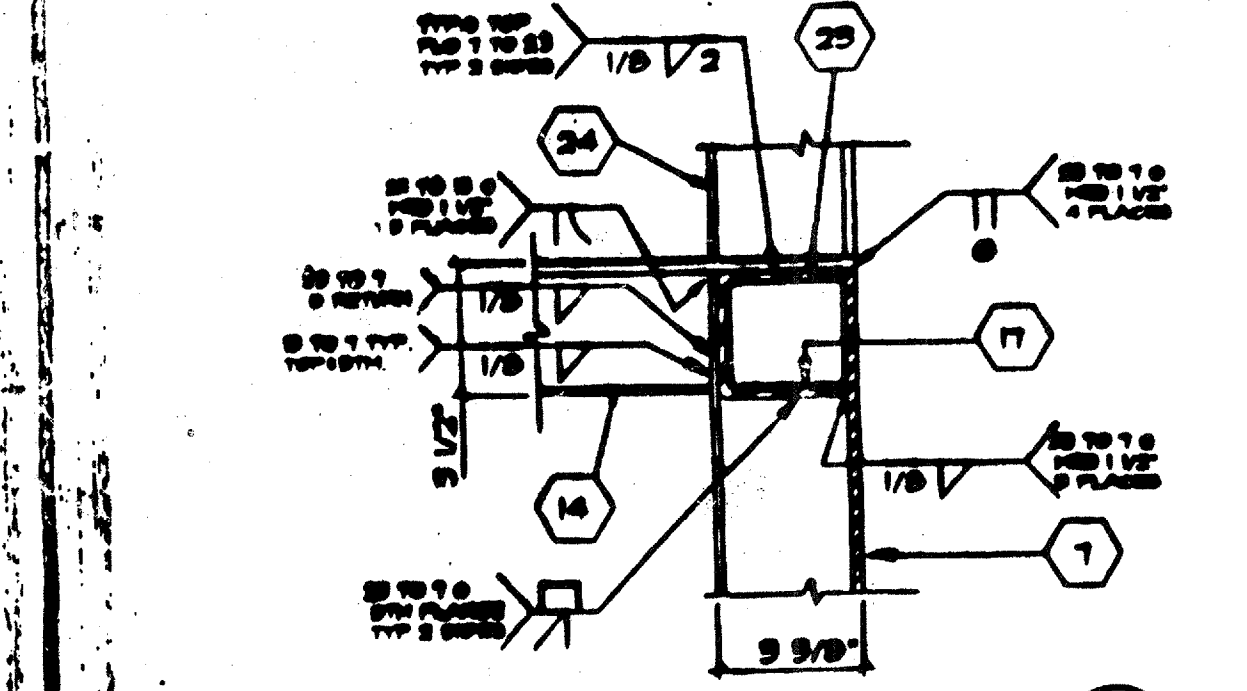
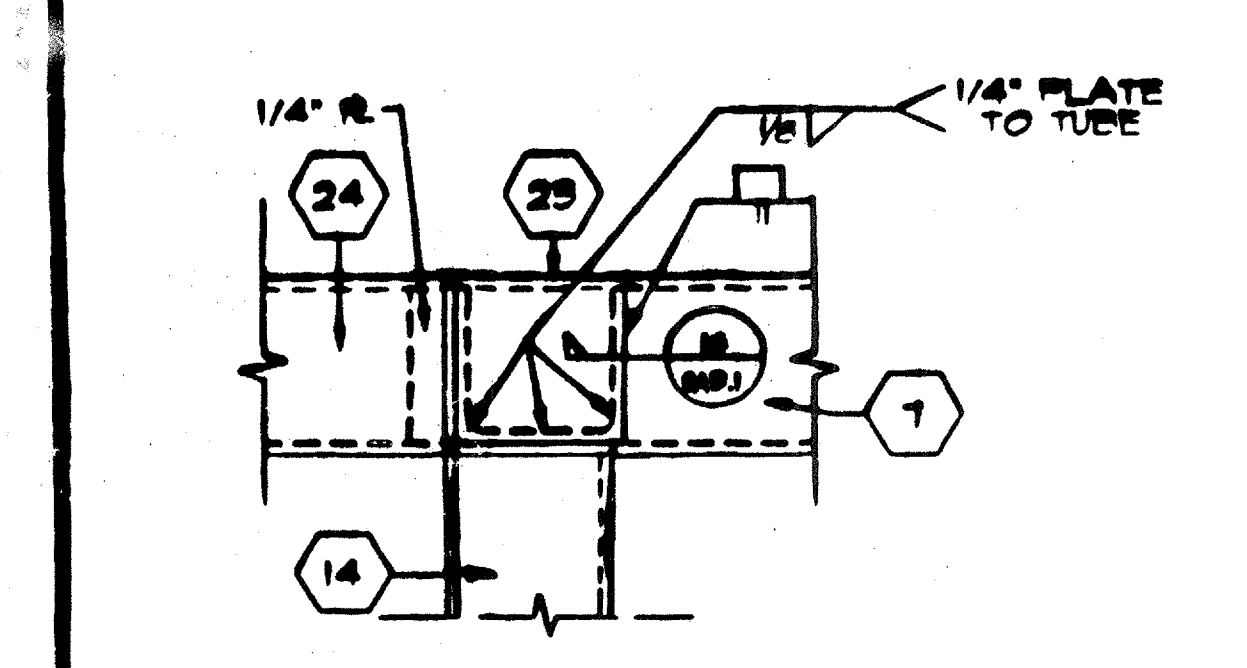


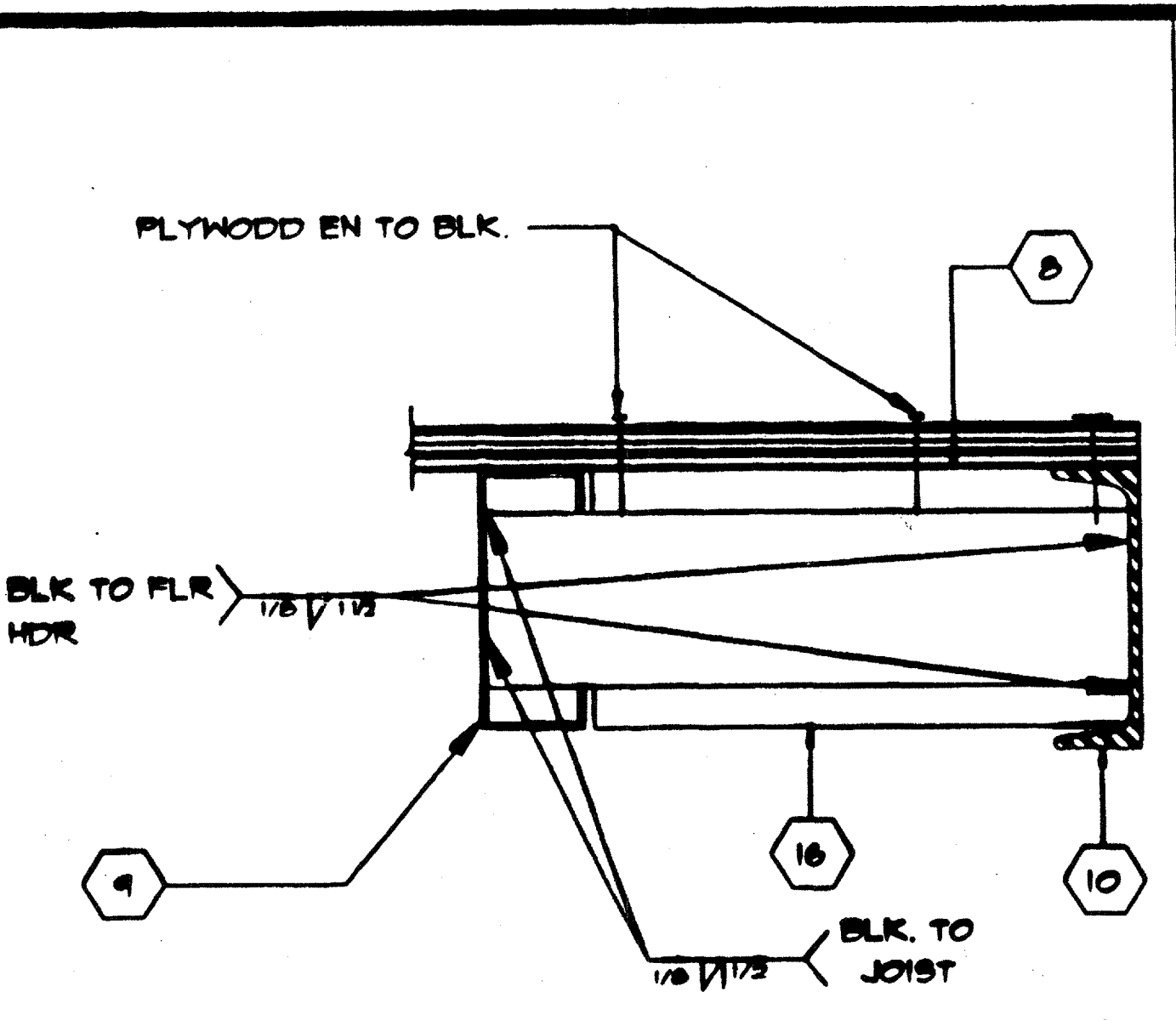
SCALE: 5"=1'  
ROOF HEADER @ FRONT OVERHANG (10)



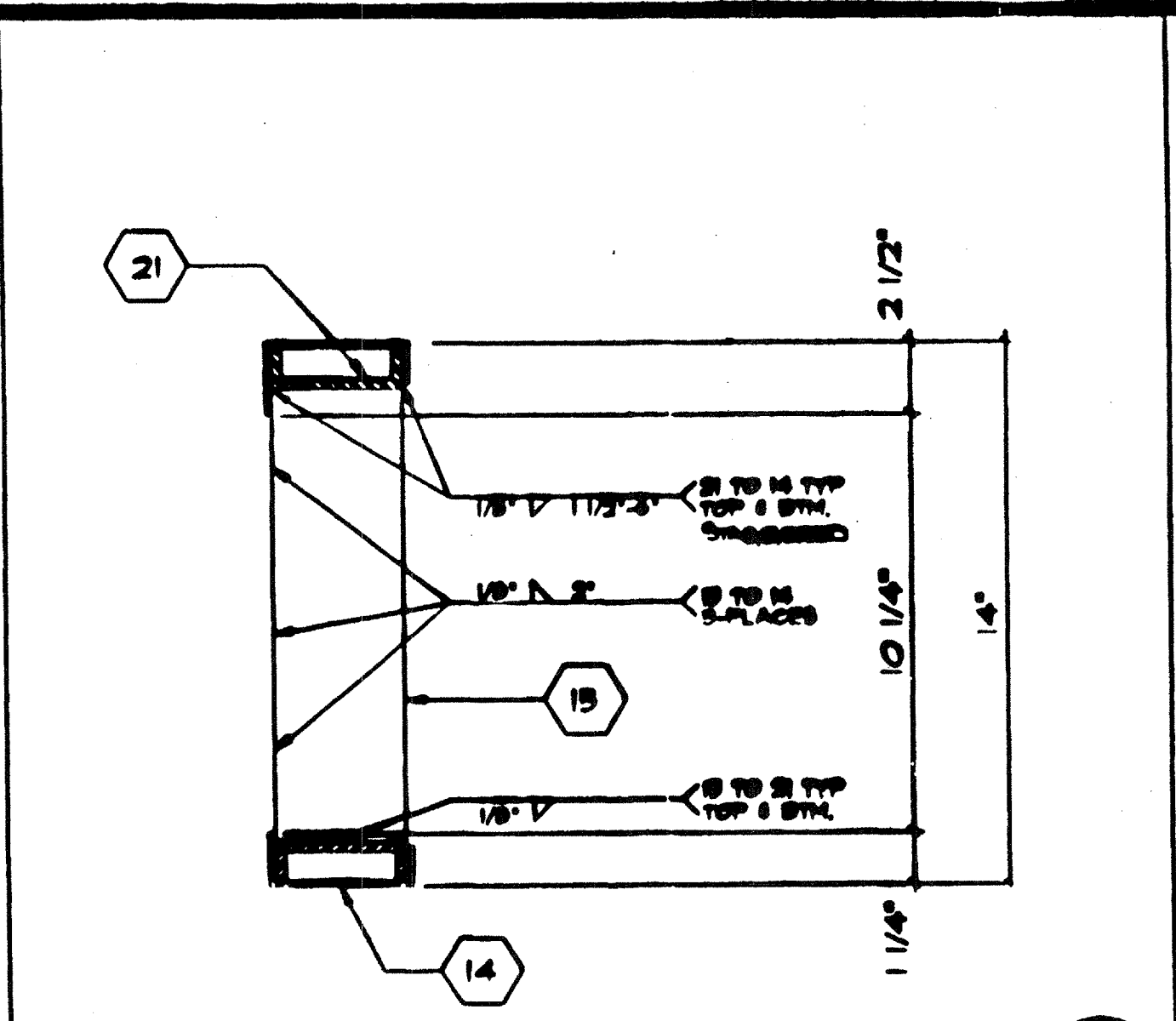
SCALE: NTS  
STIFFENER SECTION @ FRONT (11)



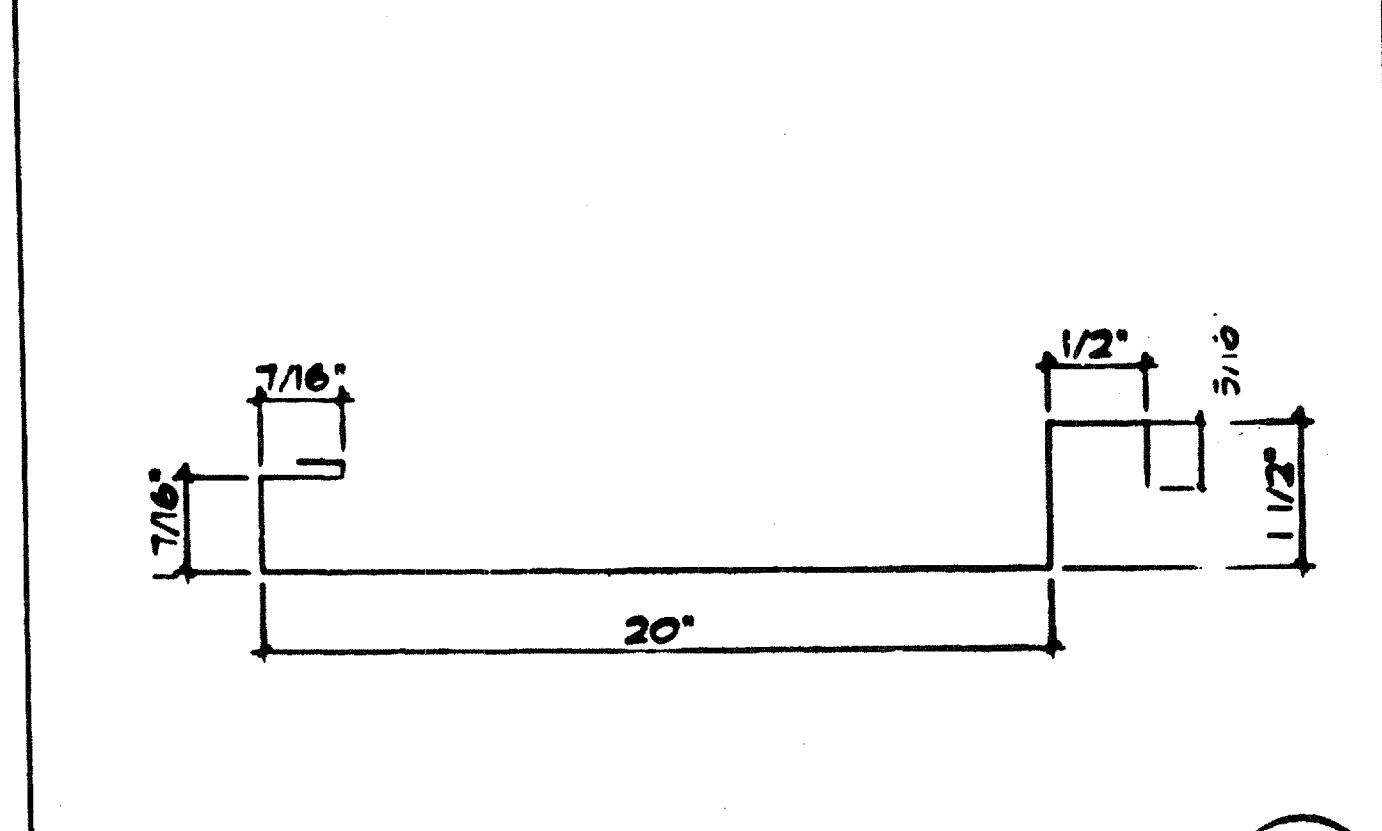
SCALE: 5"=1'  
COLUMN CAP PLATE (12)



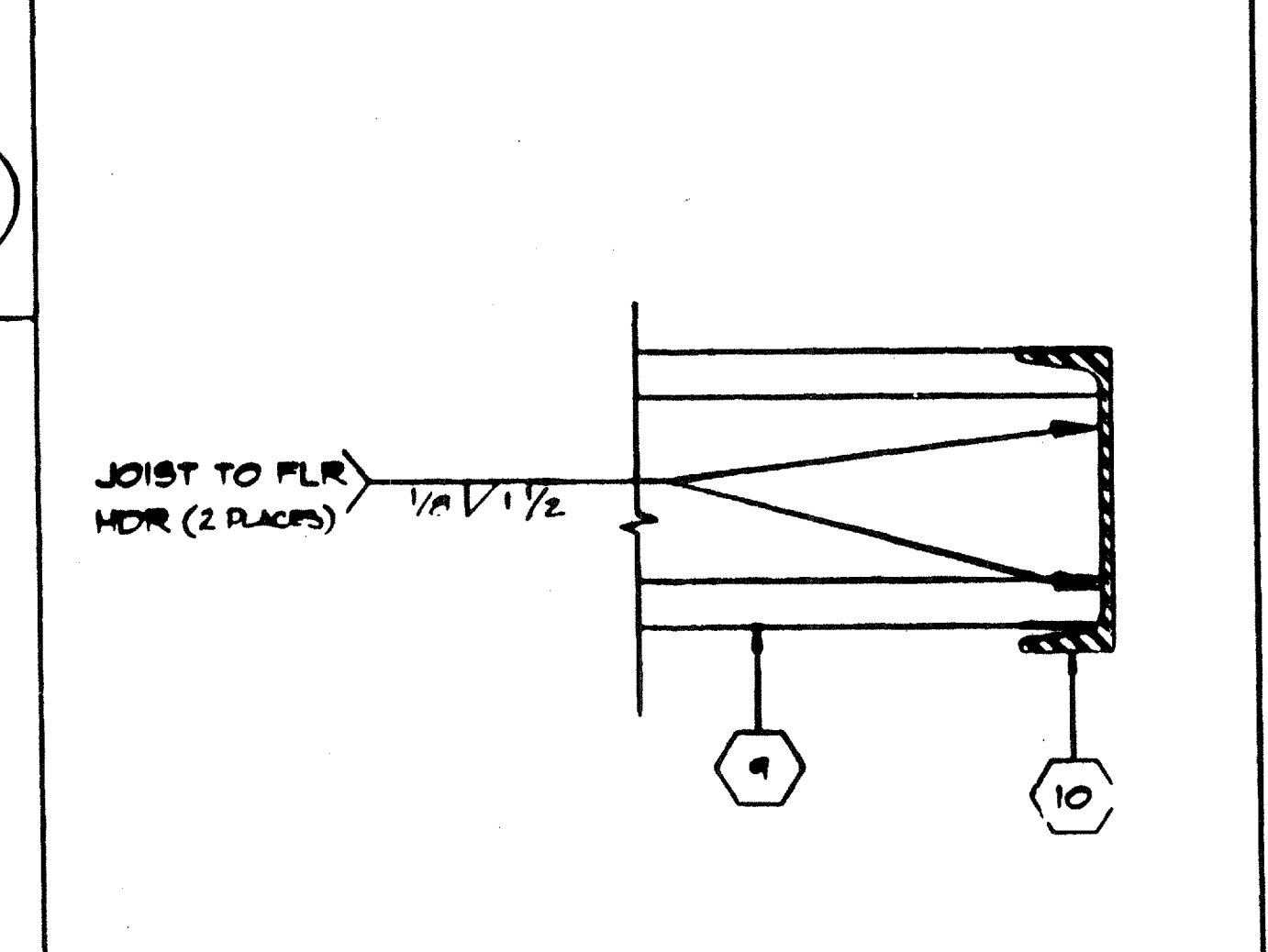
SCALE: 5"=1'  
BLOCK @ MIDSPAN (7)



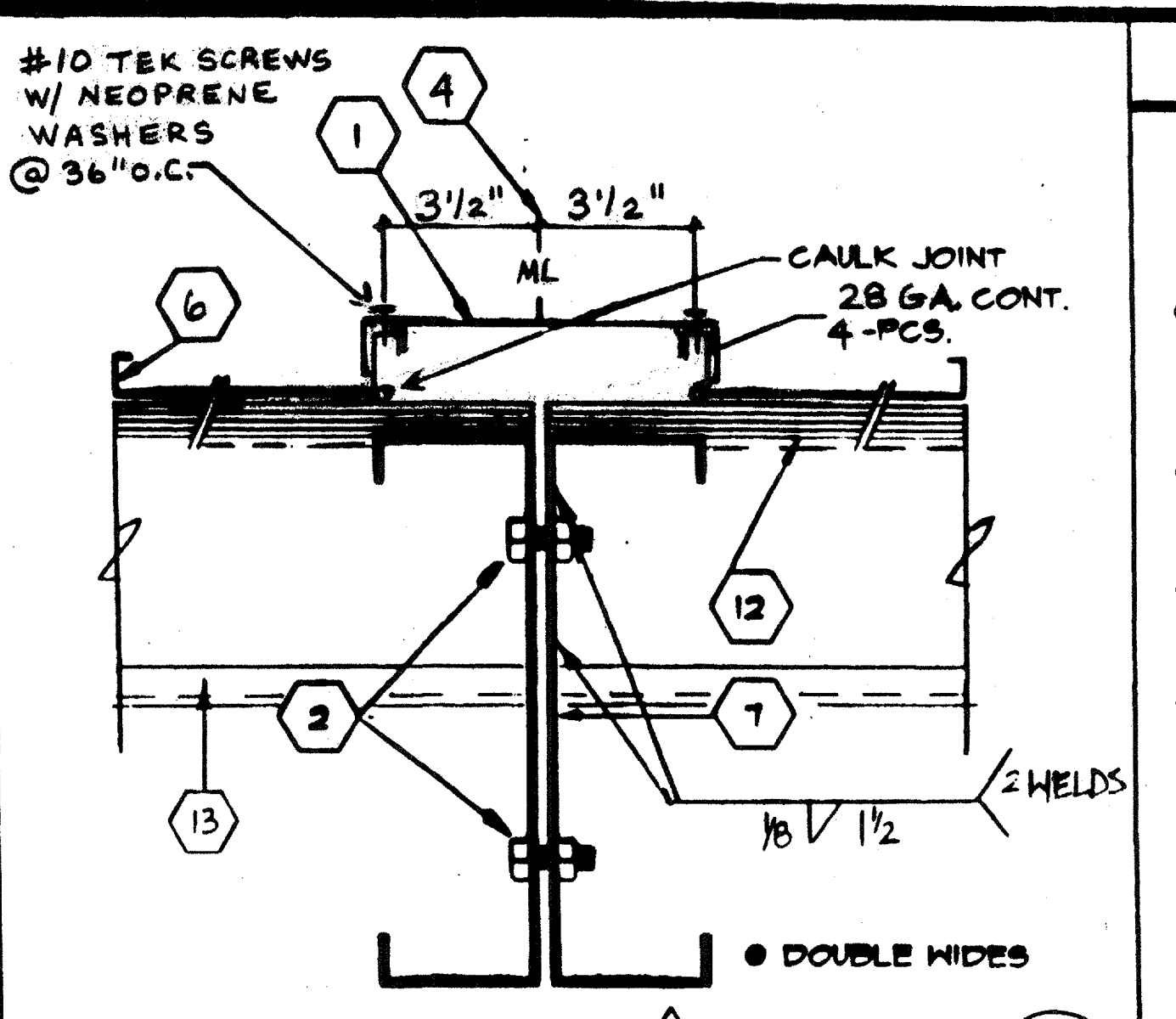
SCALE: 5"=1'  
MECH. DUCT OPENING IN HEADER (4)



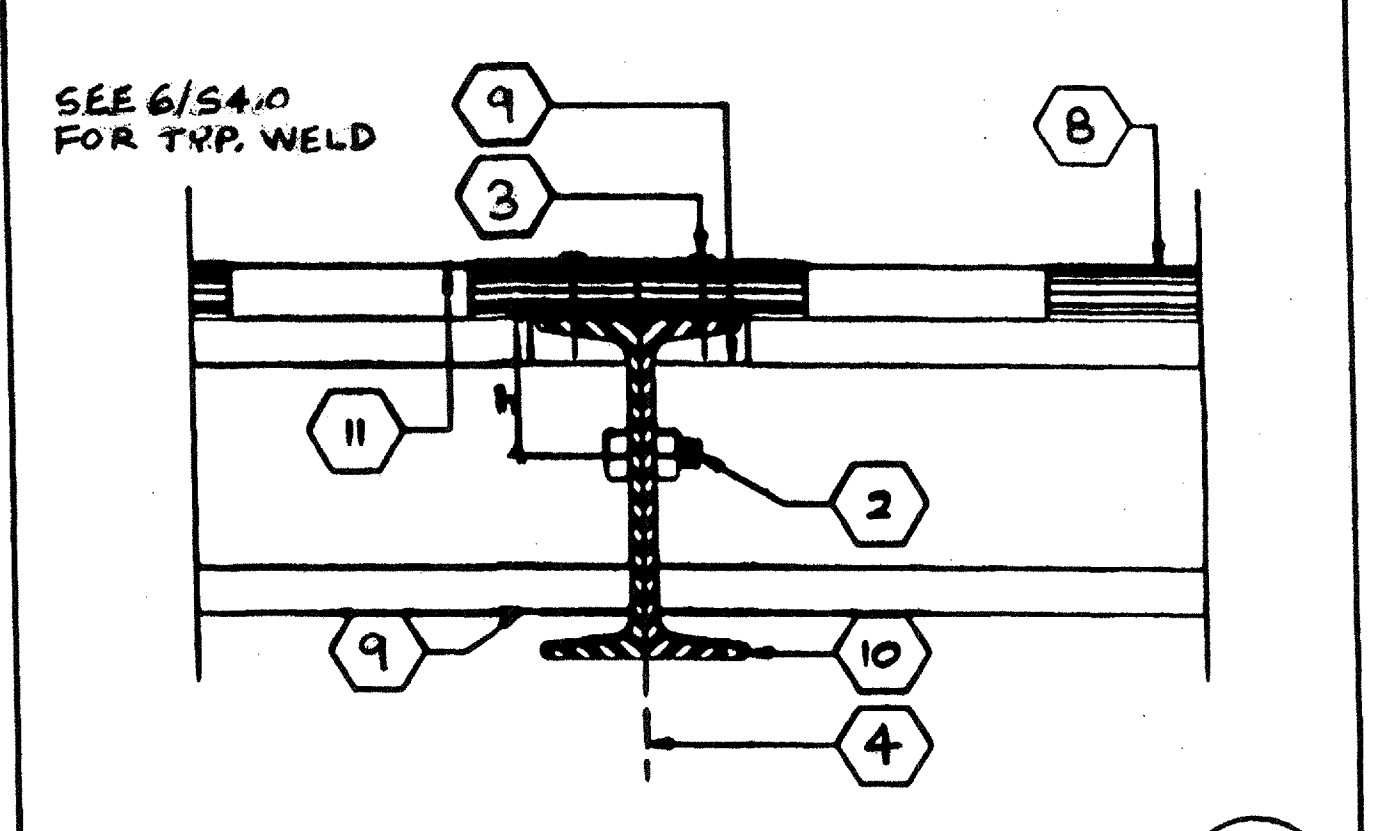
SCALE: NTS  
ROOF PAN (30GA.) (5)



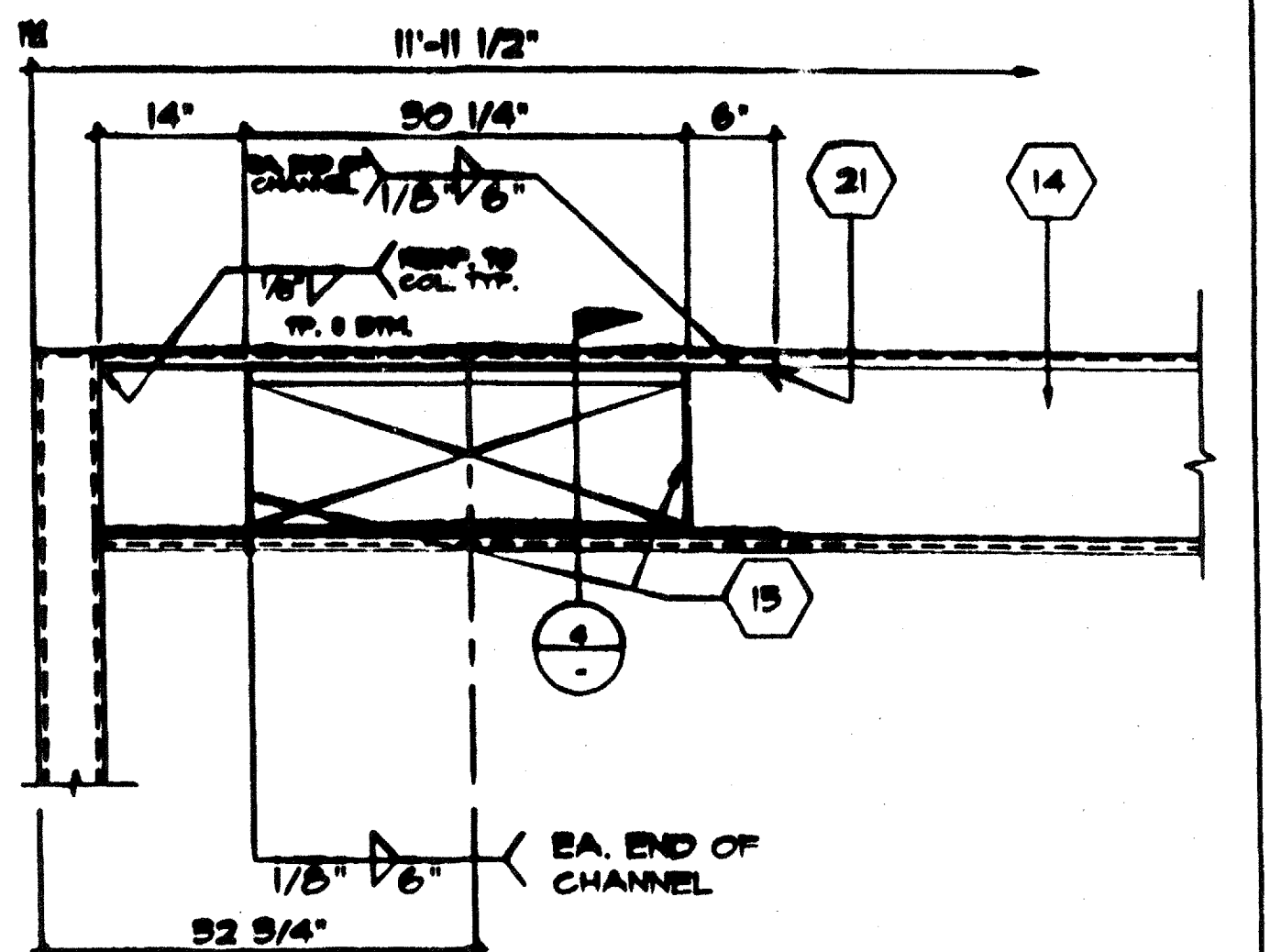
SCALE: 5"=1'  
FLOOR FRAME/JOIST TO BEAM (9)



SCALE: 5"=1'  
ROOFING @ MODLINE (1)



SCALE: 5"=1'  
MODULE JOINT @ FLR. (2)



SCALE: 1"=1'  
ELEVATION-OPENING (3)

- KEY NOTES**
- 1 CAP CLOSURE @ RIDGE 28 GA. GALV. W/ #10 TYPE FASTENERS W/ NEOPRENE WASHERS TO RIB @ BOTH SIDES OF MODLINE. SET CAP IN SEALANT SEE DETAIL
  - 2 5/8" M.B. A307 MODULE JOINT (SEE STRUCTURAL PLAN FOR LOCATION) @ 8" O.C.
  - 3 E.N.
  - 4 MODULE JOINT
  - 5 1/4" @ 8" O.C. FULL DEPTH STIFFENER PLATE (SEE 4/53.1)
  - 6 STANDING ROOF BEAM (SEE A2.0)
  - 7 ROOF BEAM (SEE STRUCTURAL) SEE 1/53.1 & 7/53.1
  - 8 PLYWOOD FLOOR SHEATHING
  - 9 FLOOR JOIST 6/53.1
  - 10 FLOOR BEAM (SEE STRUCTURAL 5/53)
  - 11 HAND HOLE @ BOLT LOCATION
  - 12 PLYWOOD ROOF SHEATHING
  - 13 PURLIN
  - 14 ROOF HEADER (SEE STRUCTURAL 3/53.1)
  - 15 1/4" STIFFENER PLATE SEE 5/53.1 FOR TYP. WELD
  - 16 "C" BLOCKING SEE 6/53.1
  - 17 IOGA. BACK-UP R.
  - 18 NOT USED
  - 19 NOT USED
  - 20 NOT USED
  - 21 3/4" X 1/4" X 30 1/4" LX IOGA. CHANNEL TOP & BOTTOM CENTER OF OPENING
  - 22 NOT USED
  - 23 TUBE STEEL (SEE 11/53.1) STIFFENER COPE TO FIT ROOF BEAM
  - 24 OVERHANG ROOF BEAM 8 X 3/2 X 14 GA.

| REVISIONS               |
|-------------------------|
| 11/14/97 CHANGE PER DSA |
|                         |
|                         |
|                         |
|                         |

|            |            |            |           |                                 |
|------------|------------|------------|-----------|---------------------------------|
| ELECTRICAL | MECHANICAL | STRUCTURAL | ARCHITECT | DIVISION OF THE STATE ARCHITECT |
|            |            |            |           |                                 |
|            |            |            |           |                                 |

**MODTECH INC.**  
 2830 BARRETT AVE.  
 PERRIS, CA. 92572  
 PH. (909) 943-4014  
 FX. (909) 940-0427

JOB NO. \_\_\_\_\_

IDENTIFICATION STAMP  
 DIV. OF THE STATE ARCHITECT  
 OFFICE OF REGULATION SERVICES  
 04 117095  
 AC FLS SS 11/14/97  
 DATE 11/14/97

IDENTIFICATION STAMP  
 DIV. OF THE STATE ARCHITECT  
 OFFICE OF REGULATION SERVICES  
 04 100690  
 AC FLS SS 11/14/97  
 DATE 11/14/97

3060  
2928

STKP-40

STRUCTURAL DETAILS S4.0