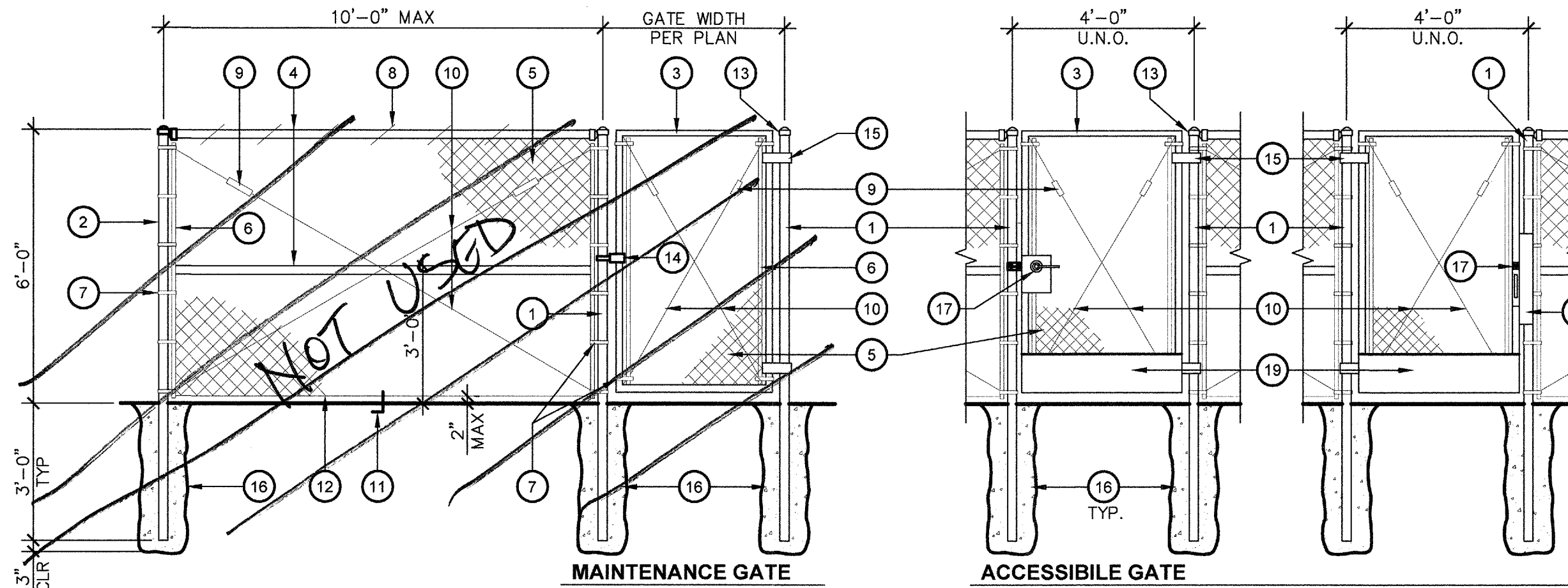
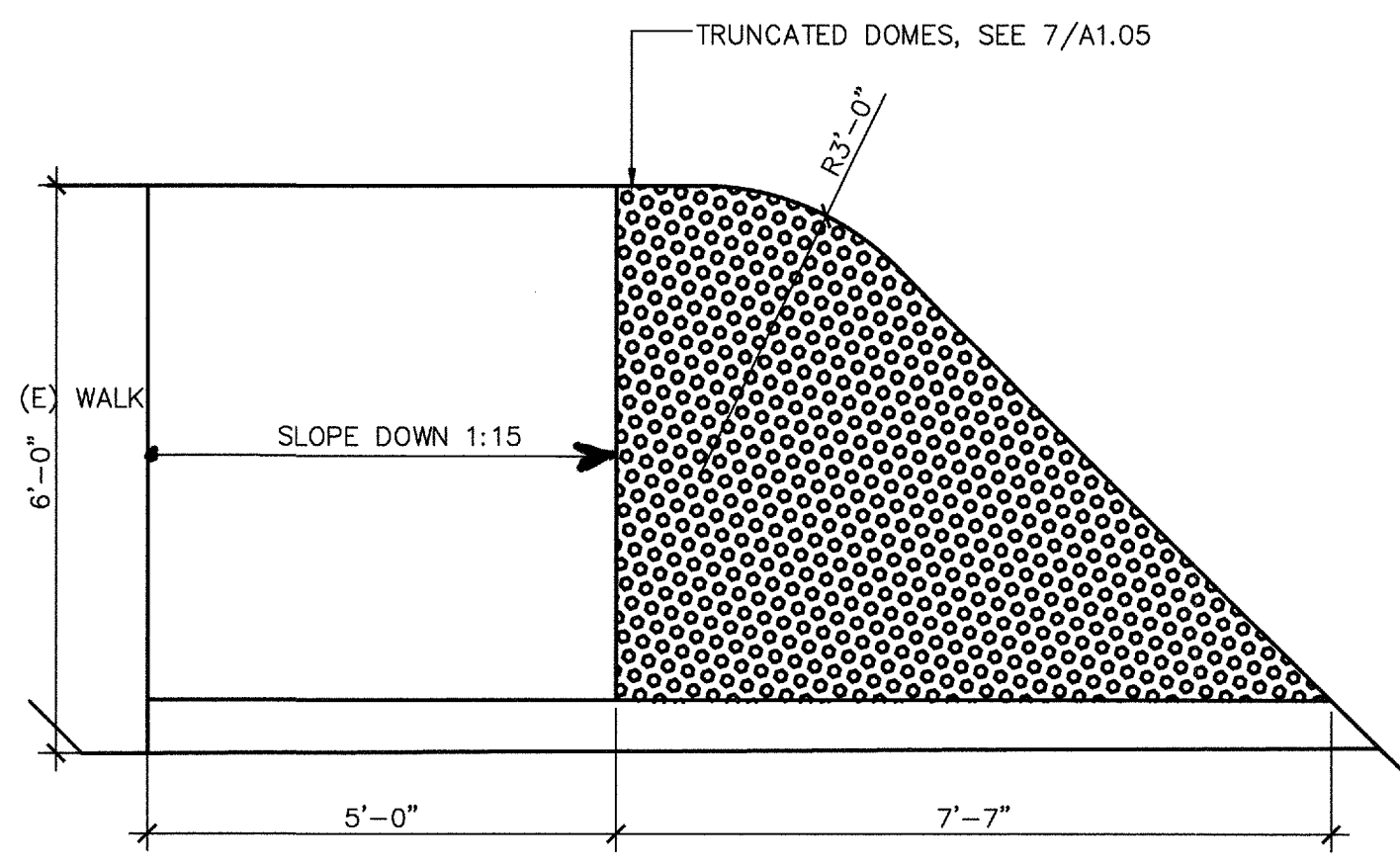


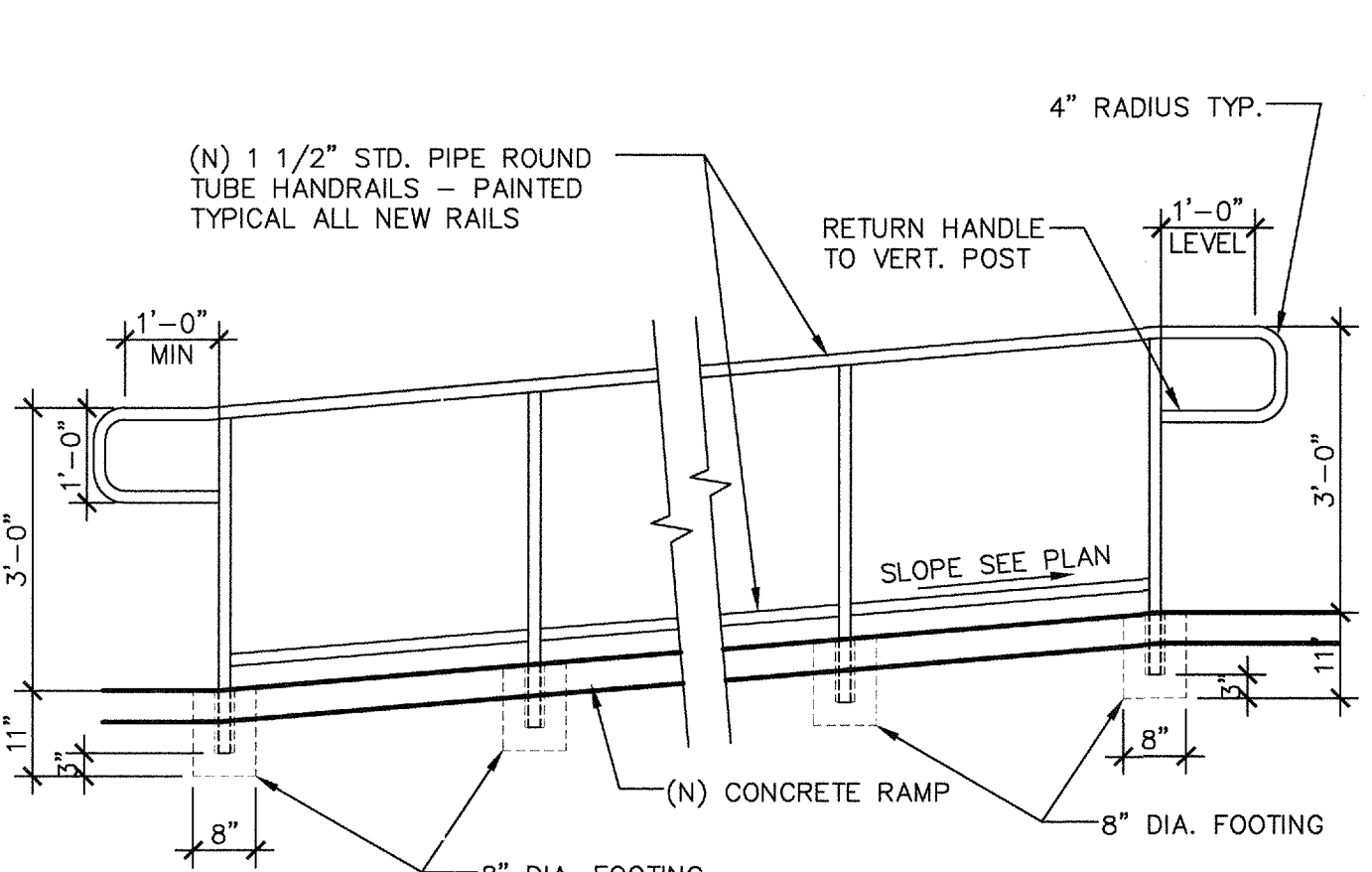
120  
80  
40  
0  
40  
80  
120  
30  
0  
30  
60  
90  
120  
20  
0  
20  
40  
60  
80  
100  
120  
24  
0  
24  
48  
72  
96  
120  
144  
168  
192  
216  
240  
264  
288  
312  
336  
360  
384  
408  
432  
456  
480  
504  
528  
552  
576  
600  
624  
648  
672  
696  
720  
744  
768  
792  
816  
840  
864  
888  
912  
936  
960  
984  
1008  
1032  
1056  
1080  
1104  
1128  
1152  
1176  
1200  
1224  
1248  
1272  
1296  
1320  
1344  
1368  
1392  
1416  
1440  
1464  
1488  
1512  
1536  
1560  
1584  
1608  
1632  
1656  
1680  
1704  
1728  
1752  
1776  
1800  
1824  
1848  
1872  
1896  
1920  
1944  
1968  
1992  
2016  
2040  
2064  
2088  
2112  
2136  
2160  
2184  
2208  
2232  
2256  
2280  
2304  
2328  
2352  
2376  
2400  
2424  
2448  
2472  
2496  
2520  
2544  
2568  
2592  
2616  
2640  
2664  
2688  
2712  
2736  
2760  
2784  
2808  
2832  
2856  
2880  
2904  
2928  
2952  
2976  
3000  
3024  
3048  
3072  
3096  
3120  
3144  
3168  
3192  
3216  
3240  
3264  
3288  
3312  
3336  
3360  
3384  
3408  
3432  
3456  
3480  
3504  
3528  
3552  
3576  
3600  
3624  
3648  
3672  
3696  
3720  
3744  
3768  
3792  
3816  
3840  
3864  
3888  
3912  
3936  
3960  
3984  
4008  
4032  
4056  
4080  
4104  
4128  
4152  
4176  
4200  
4224  
4248  
4272  
4296  
4320  
4344  
4368  
4392  
4416  
4440  
4464  
4488  
4512  
4536  
4560  
4584  
4608  
4632  
4656  
4680  
4704  
4728  
4752  
4776  
4800  
4824  
4848  
4872  
4896  
4920  
4944  
4968  
4992  
5016  
5040  
5064  
5088  
5112  
5136  
5160  
5184  
5208  
5232  
5256  
5280  
5304  
5328  
5352  
5376  
5400  
5424  
5448  
5472  
5496  
5520  
5544  
5568  
5592  
5616  
5640  
5664  
5688  
5712  
5736  
5760  
5784  
5808  
5832  
5856  
5880  
5904  
5928  
5952  
5976  
6000  
6024  
6048  
6072  
6096  
6120  
6144  
6168  
6192  
6216  
6240  
6264  
6288  
6312  
6336  
6360  
6384  
6408  
6432  
6456  
6480  
6504  
6528  
6552  
6576  
6600  
6624  
6648  
6672  
6696  
6720  
6744  
6768  
6792  
6816  
6840  
6864  
6888  
6912  
6936  
6960  
6984  
7008  
7032  
7056  
7080  
7104  
7128  
7152  
7176  
7200  
7224  
7248  
7272  
7296  
7320  
7344  
7368  
7392  
7416  
7440  
7464  
7488  
7512  
7536  
7560  
7584  
7608  
7632  
7656  
7680  
7704  
7728  
7752  
7776  
7800  
7824  
7848  
7872  
7896  
7920  
7944  
7968  
7992  
8016  
8040  
8064  
8088  
8112  
8136  
8160  
8184  
8208  
8232  
8256  
8280  
8304  
8328  
8352  
8376  
8400  
8424  
8448  
8472  
8496  
8520  
8544  
8568  
8592  
8616  
8640  
8664  
8688  
8712  
8736  
8760  
8784  
8808  
8832  
8856  
8880  
8904  
8928  
8952  
8976  
9000  
9024  
9048  
9072  
9096  
9120  
9144  
9168  
9192  
9216  
9240  
9264  
9288  
9312  
9336  
9360  
9384  
9408  
9432  
9456  
9480  
9504  
9528  
9552  
9576  
9600  
9624  
9648  
9672  
9696  
9720  
9744  
9768  
9792  
9816  
9840  
9864  
9888  
9912  
9936  
9960  
9984  
10000



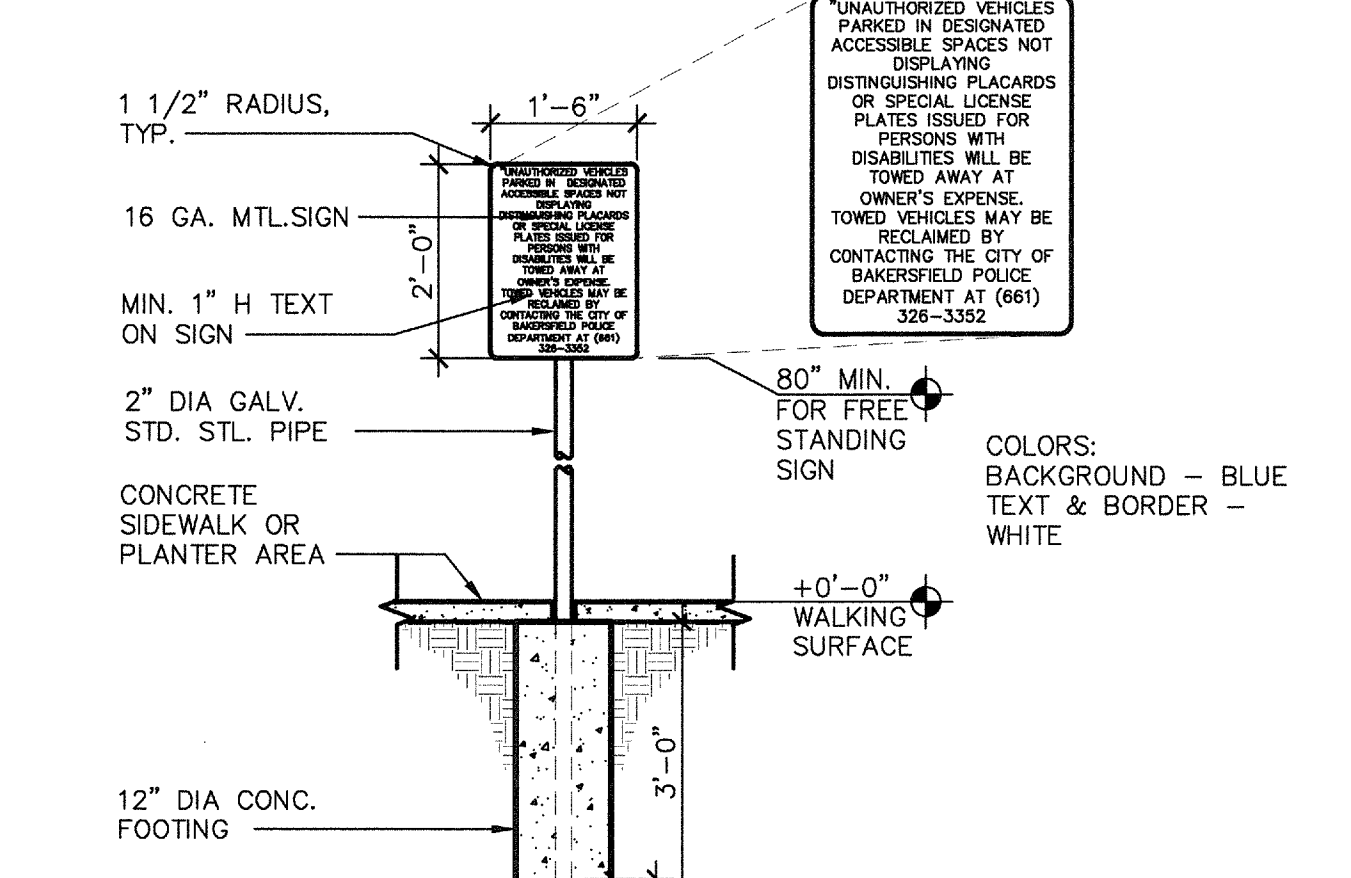
- TYPICAL FENCE & GATE KEYNOTES**
- 4" O.D. GALVANIZED STEEL GATE POST (9.1 lb/ft)
  - 2 7/8" O.D. GALVANIZED STEEL END OR CORNER POST (5.79 lb/ft)
  - 2" O.D. GALVANIZED STEEL GATE FRAME (2.72 lb/ft)
  - 1 5/8" O.D. GALVANIZED STEEL HORIZONTAL RAIL (2.27 lb/ft)
  - 2"x2" MESH x 9 GAUGE GALVANIZED FENCE FABRIC WITH KNUCKLED TOP AND BOTTOM SELVAGE. FENCE FABRIC TO BE GALVANIZED BEFORE WEAVING (GBW)
  - 1/4"x3/4" GALVANIZED STEEL STRETCHER BAR
  - GALVANIZED STEEL STRETCHER BAR TENSION BAND, MIN. OF 6 TENSION BANDS
  - 9 GAUGE (0.148" DIA.) GALVANIZED STEEL TIE WIRES OR HOG RINGS AT 15" MAX. SPACING. MIN. 8 TIE WIRES PER EACH 10" HORIZONTAL RAIL
  - GALVANIZED ADJUSTABLE TURNBUCKLE FOR 3/8" DIA. TRUSS ROD
  - 3/8" DIA. GALVANIZED STEEL ADJUSTABLE TRUSS ROD. TRUSS RODS REQUIRED FOR ALL GATE POST PANELS AND END OR CORNER POST PANELS
  - 3/8"x6" GALVANIZED HOOK BOLT WITH NUT IMBEDDED IN MIDWAY BETWEEN POSTS
  - 7 GAUGE (0.177" DIA.) GALVANIZED STEEL TENSION WIRE
  - RAINPROOF CAP
  - LOCKING HASP
  - 180° GATE HINGE, TYP
  - 12"Ø CONCRETE POST FOOTING (TYP.)
  - TRIM, LEVER HANDLE & RIM CYLINDER LOCK PER DISTRICT STANDARD 34" - 44"
  - 16ga GATE GUARD
  - 10" HIGH x GATE WIDTH, 16 ga POWDER-COATED METAL KICK PLATE, TYP BOTH SIDES OF GATE.



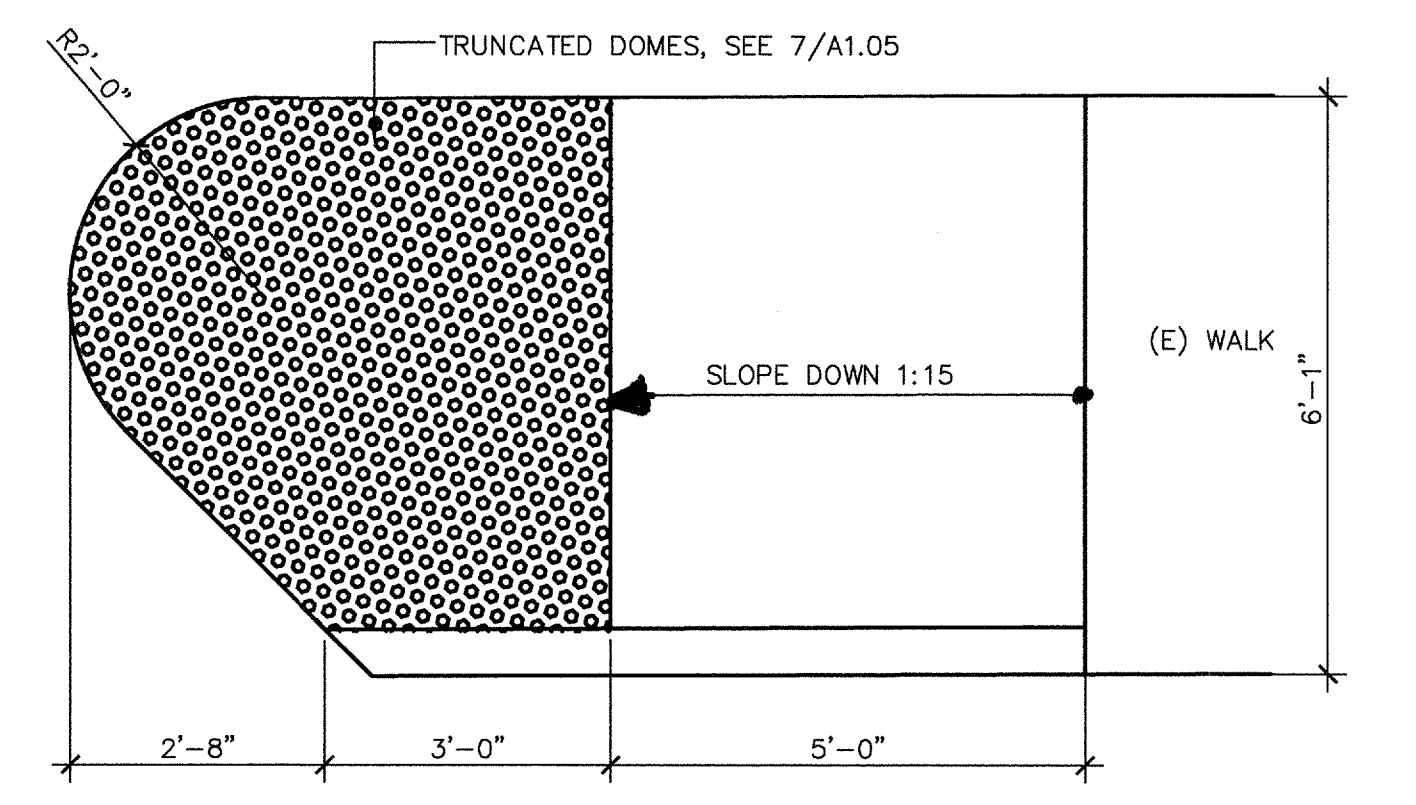
**10 CONC CURB AT EXISTING WALK**  
ADA100-32 SCALE: 1" = 1'-0"



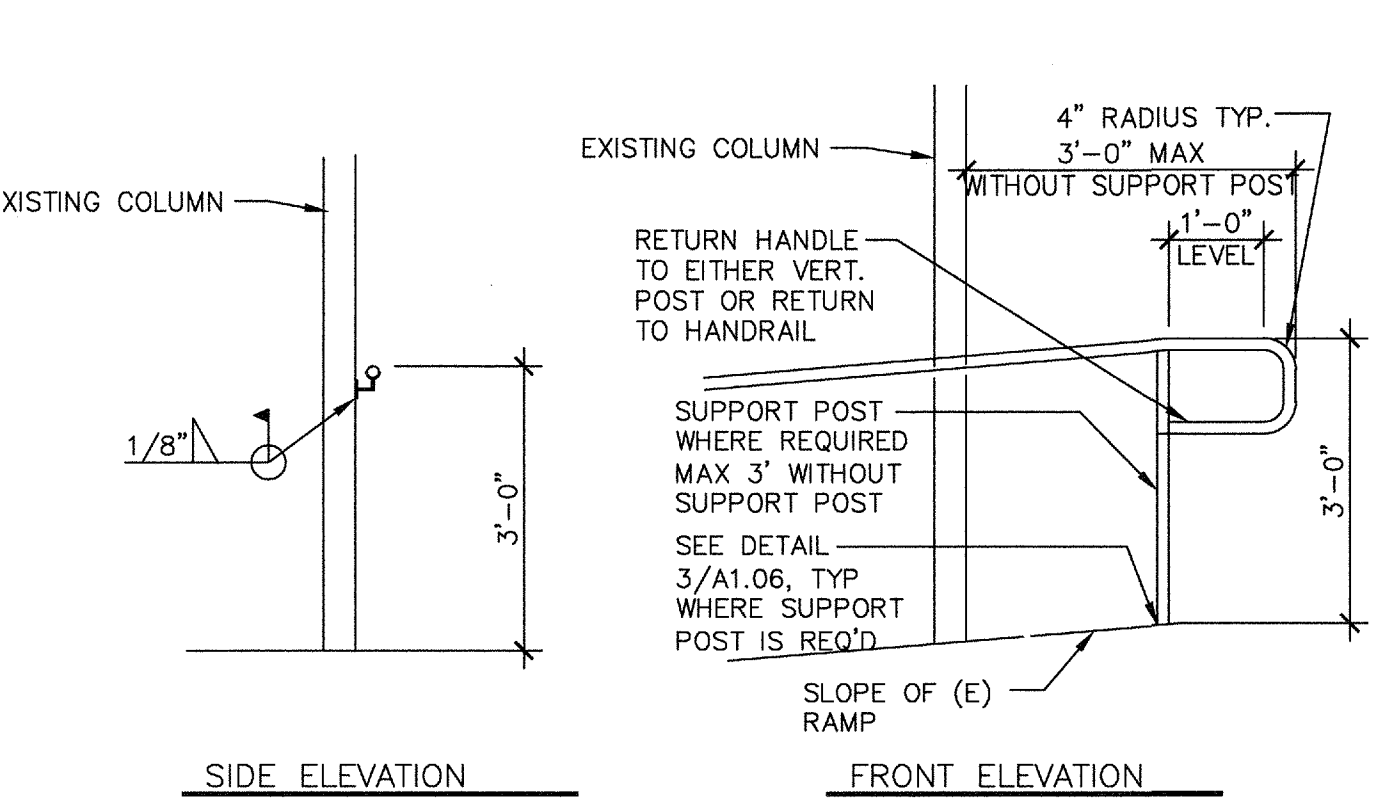
**6 RAMP RAIL DETAIL**  
ADA100-20 SCALE: 1" = 1'-0"



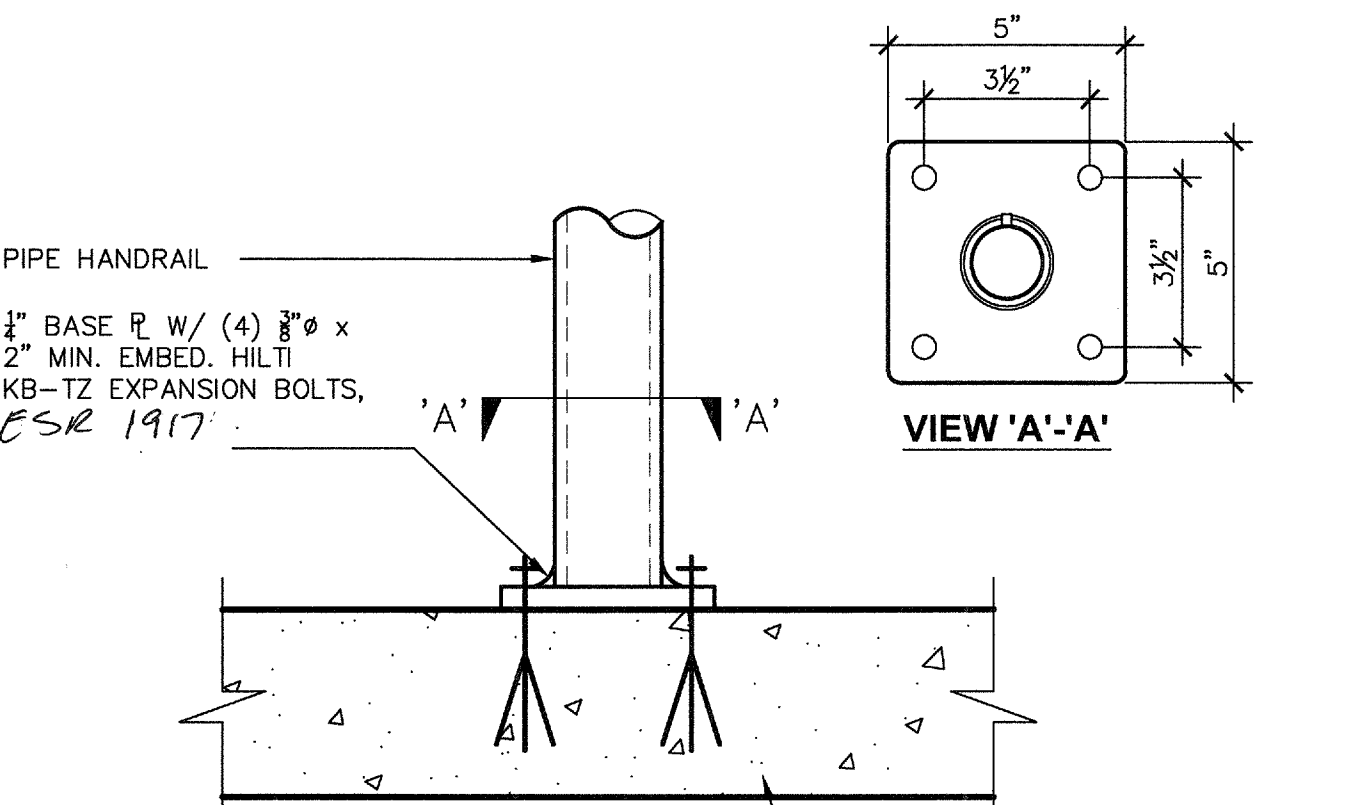
**2 TOW AWAY SIGNAGE**  
ADA100-10 SCALE: 1" = 1'-0"



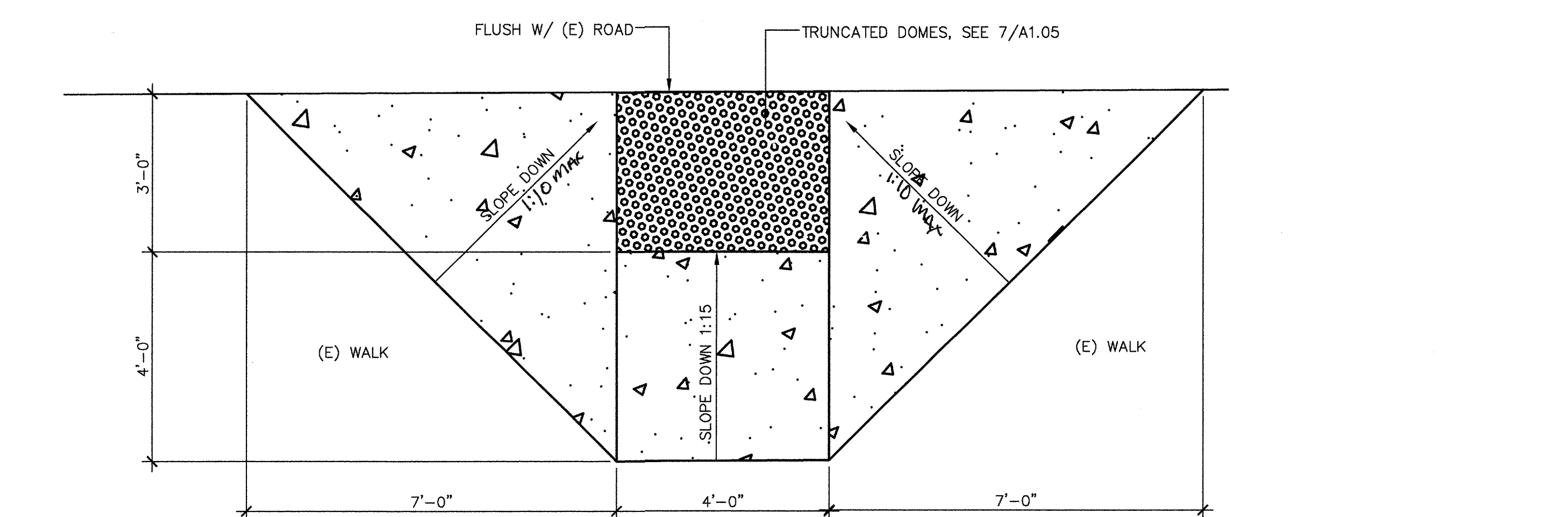
**11 CONC CURB AT EXISTING WALK**  
ADA100-31 SCALE: 1" = 1'-0"



**7 (N) RAIL AT (E) COLUMNS**  
ADA100-20 SCALE: 1" = 1'-0"



**3 HANDRAIL ATTACHMENT**  
ADE200-02 SCALE: 1" = 1'-0"



**8 CONC CURB AT EXISTING WALK**  
ADA100-33 SCALE: 1" = 1'-0"

Ownership of Documents  
This document, the ideas and designs incorporated herein, as an instrument of Professional Service is the property of Integrated Designs by SOMAM, Inc. and is not to be used, in whole or in part for any other project without written authorization. © COPYRIGHT 2015

**integrated designs** by SOMAM, Inc.  
ARCHITECTURE · INTERIOR DESIGN · CONSTRUCTION MANAGEMENT  
8011 N. Fresno St., Fresno, California 93710  
Phone (559) 438-0887 Fax (559) 438-0887 E-Mail: design@somam.com  
www.integrateddesigns.com

Rev. Date	Rev. Description

**SITE DETAILS**

Project Name & Address  
**4 RELOCATABLE CLASSROOMS & 1 TOILET BLDG**  
WASHINGTON MIDDLE SCHOOL  
BAKERSFIELD CITY SCHOOL DISTRICT  
1101 NOBLE AVE. BAKERSFIELD, CA 93305

Sheet Title  
**4 RELOCATABLE CLASSROOMS & 1 TOILET BLDG**

Issue Date: 11/13/14  
Date: 05/06/16  
Designer: [Signature]  
DR: [Signature]  
PC: C-JH

Agency Approval Stamp:

FILE # 15-6  
IDENTIFICATION STAMP  
DIV. OF THE STATE ARCHITECT  
OFFICE OF REGULATION SERVICES

03-117-025  
AC. [Signature] FL. [Signature] SS. [Signature] IL. [Signature]  
DATE: 05/31/2016  
TRACKING #: 63321-

Stamp(s):

REGISTERED ARCHITECT  
CORTIS E. FLYNN  
No. C 28865  
EXPIRES 5-31-2017  
STATE OF CALIFORNIA

Job No: **5127**

Sheet No: **A1.08**

Release: RICHARD DELLANINI