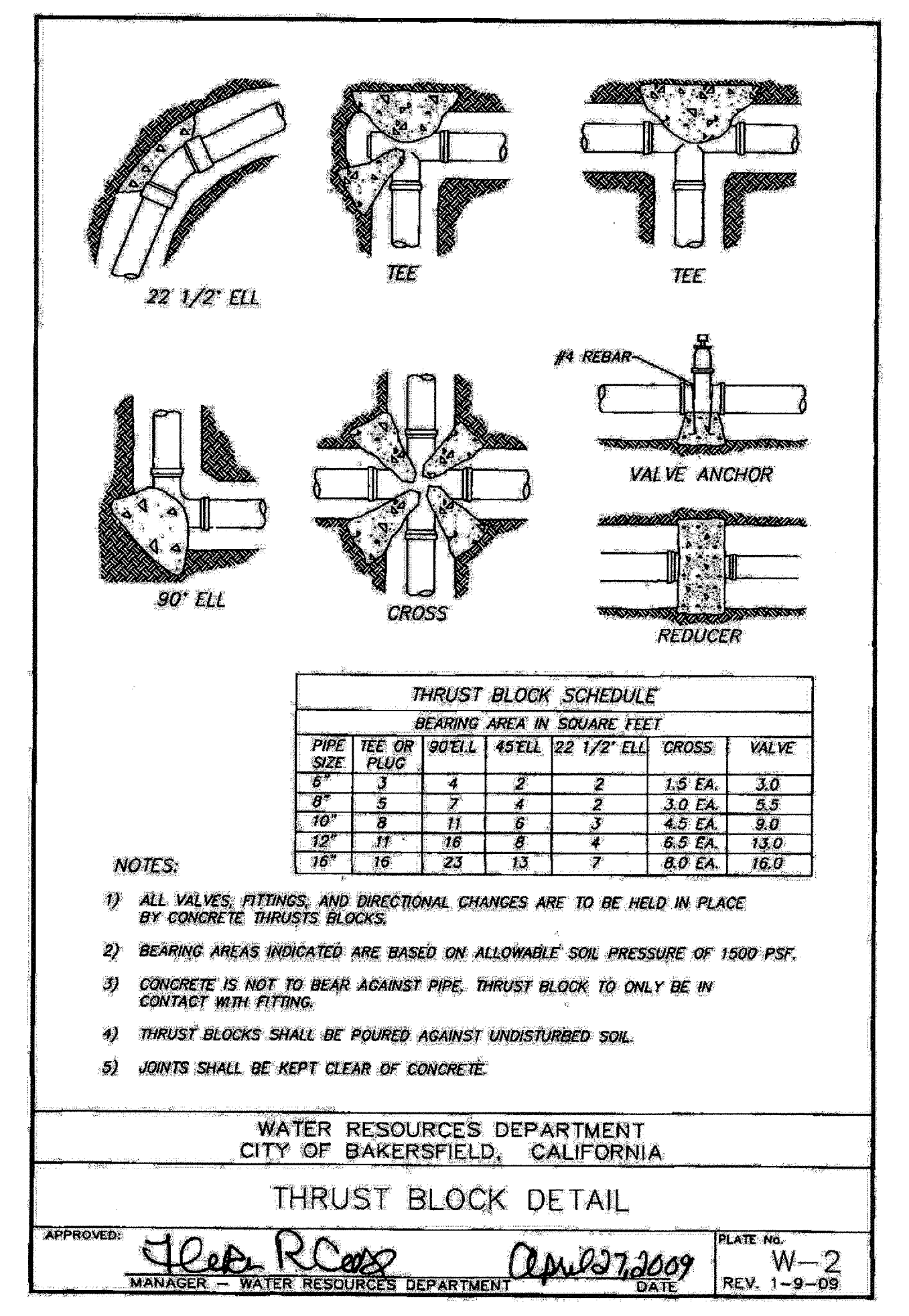
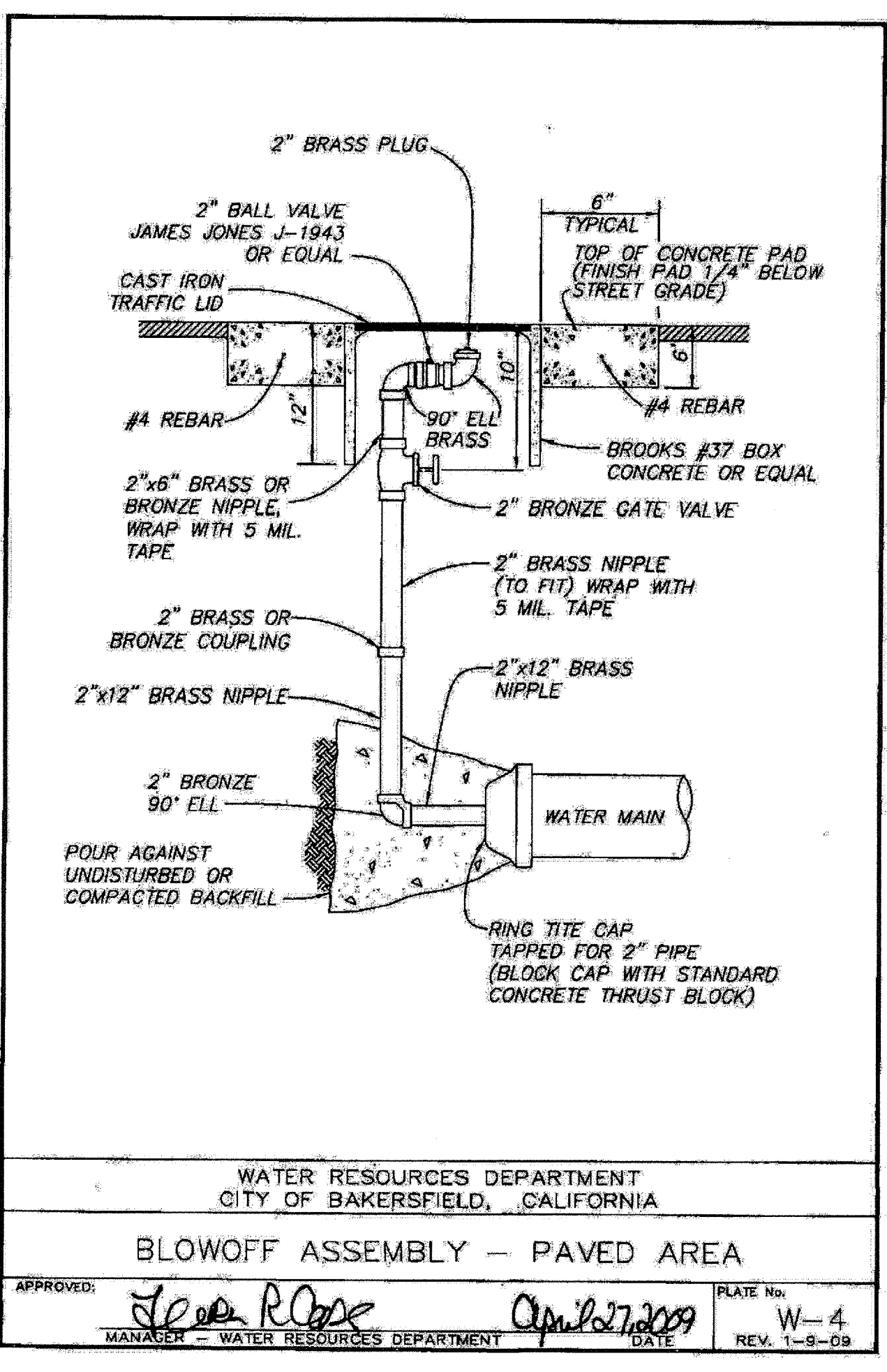
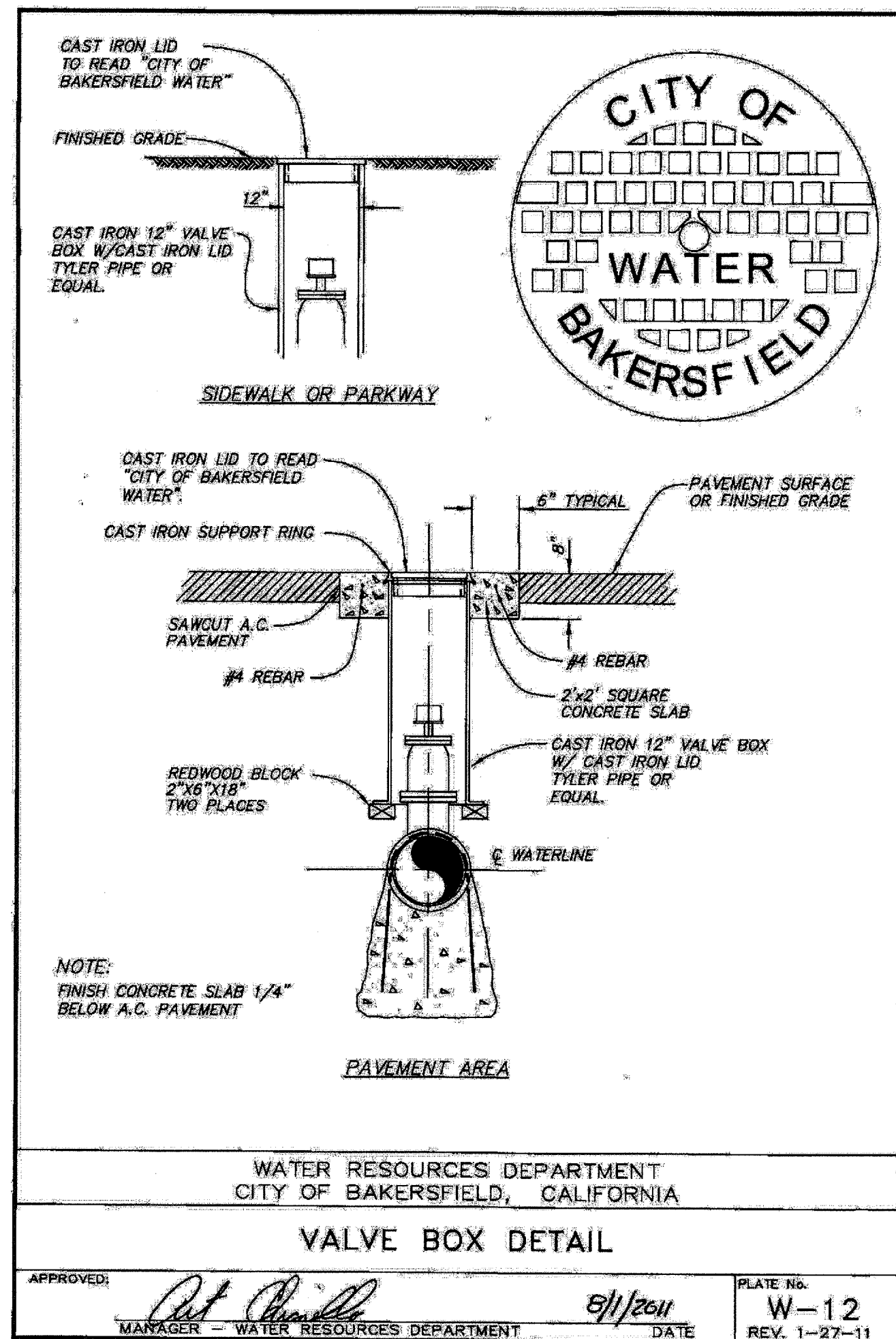
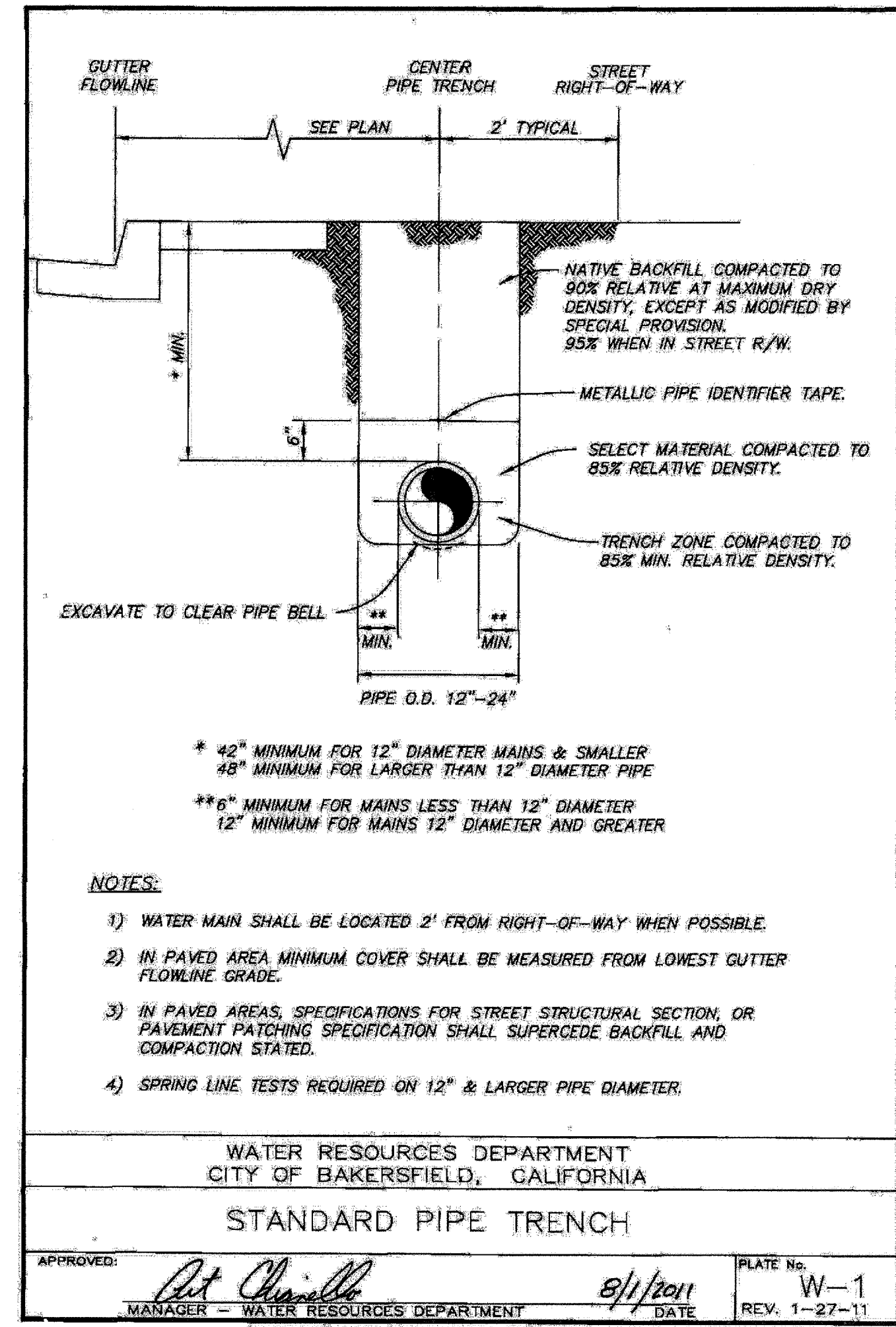
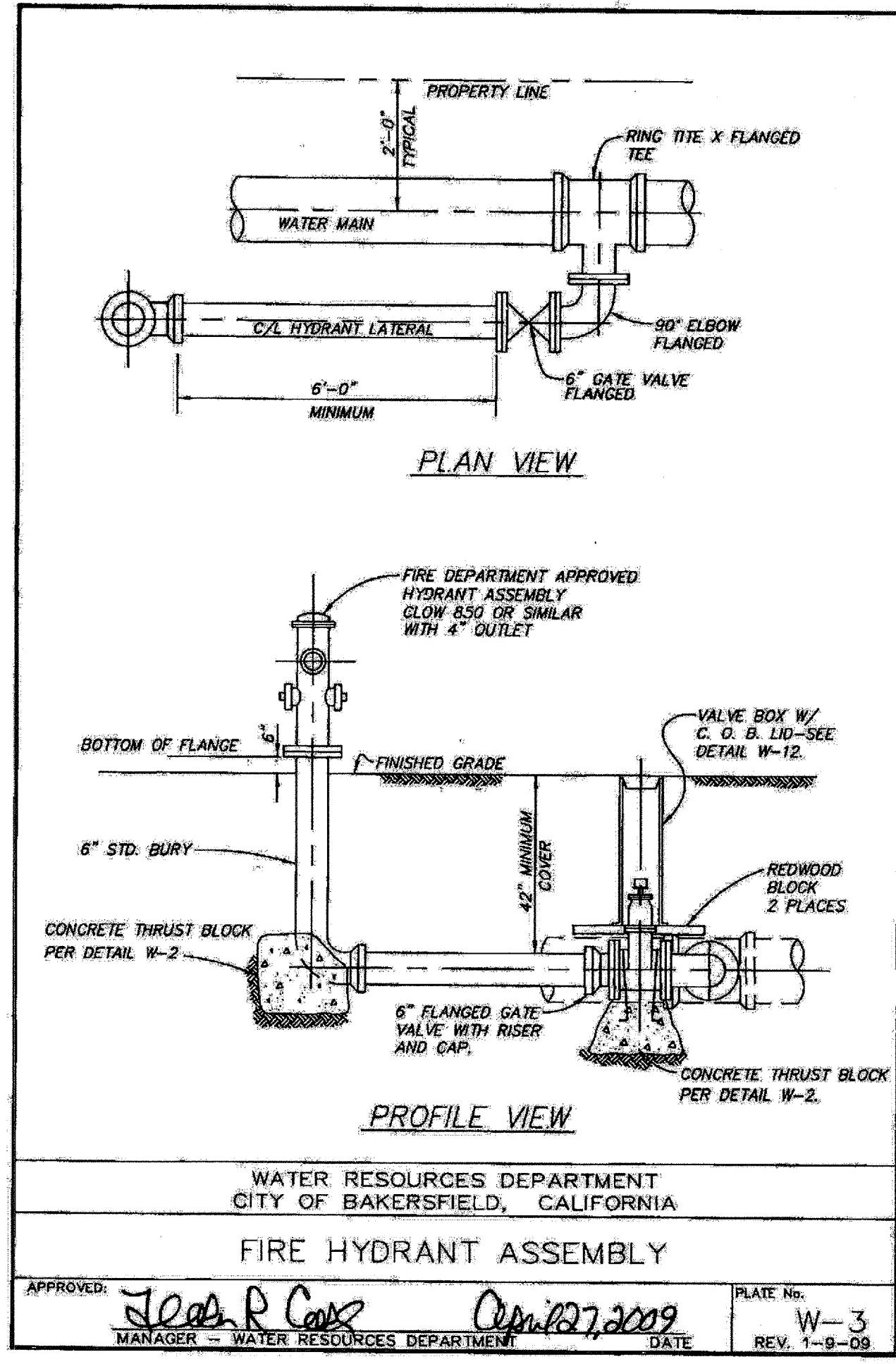
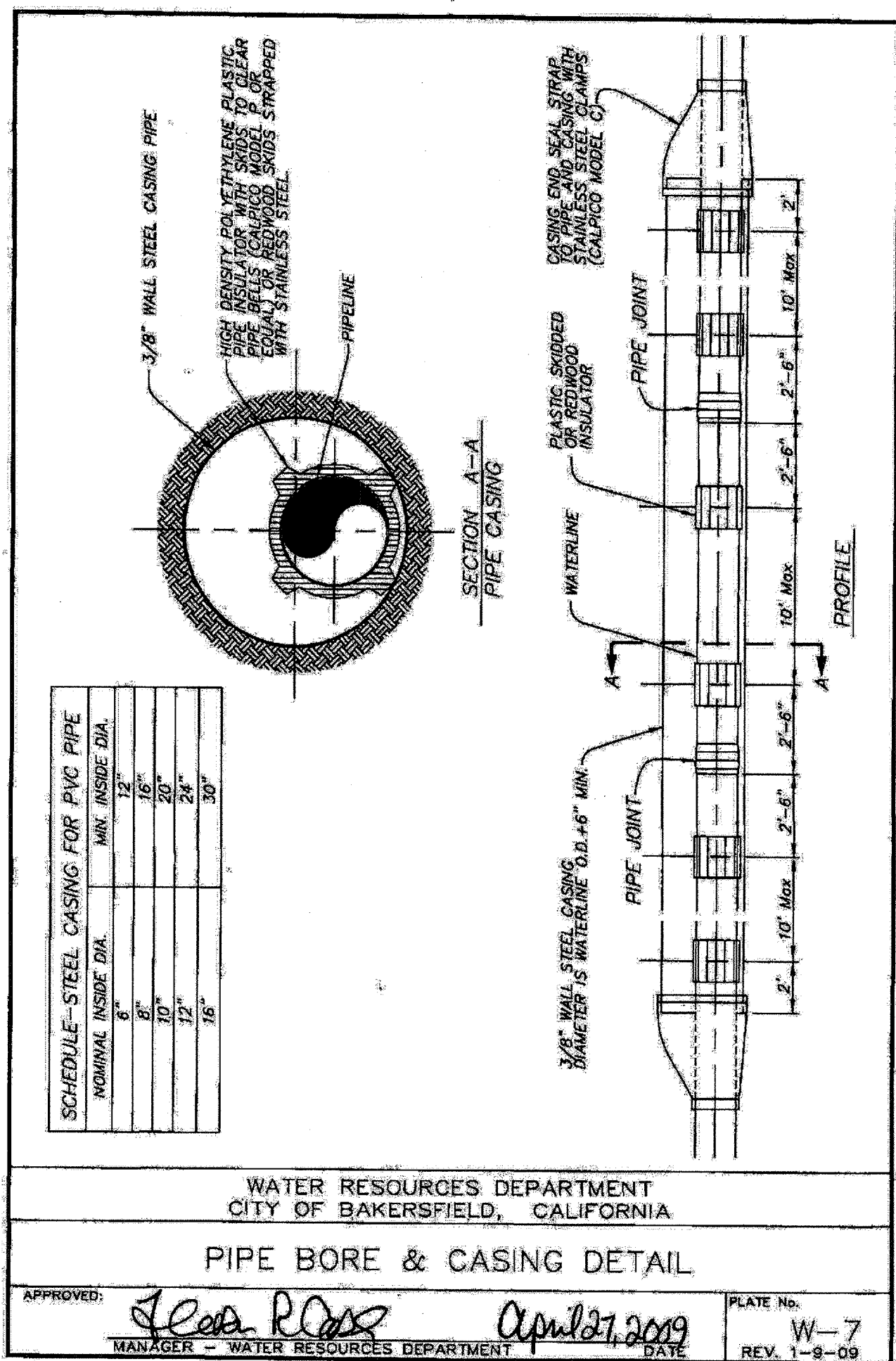


1" = 40'-0"  
 1" = 30'-0"  
 1" = 20'-0"  
 1" = 1'-0"  
 1" = 1'-0"



Ownership of Documents  
 This document, the ideas and designs incorporated herein, as an instrument of Professional Service is the property of Integrated Designs by SOMAM, Inc. and is not to be used, in whole or in part for any other project without written authorization. © COPYRIGHT 2015

**integrated designs** by SOMAM, Inc.  
 ARCHITECTURE · ENGINEERING · INTERIOR DESIGN · CONSTRUCTION MANAGEMENT  
 801 N. Fresno, Suite 130 - Fresno, California 93710  
 Phone (568) 438-0881 Fax (568) 438-0887 E-Mail: design@somam.com  
 www.integrateddesigns.com

Project Name & Address: **4 RELOCATING CLASSROOMS & TOILET BLDG WASHINGTON MIDDLE SCHOOL**  
 BAKERSFIELD CITY SCHOOL DISTRICT  
 1101 NOBLE AVE. BAKERSFIELD, CA 93305

**SITE DETAILS**

Issue Date: 11/13/14  
 Date: 05/06/16  
 Designer: C.H.  
 D.R.  
 P.S.

Agency Approval Stamp:  
 FILE #: 15-6  
 IDENTIFICATION STAMP  
 DIV. OF THE STATE ARCHITECT  
 OFFICE OF REGULATION SERVICES  
 03-117025  
 AC: [Signature] FLS: [Signature] SS: [Signature]  
 DATE: 05/31/2016  
 TRACKING #: 63321-

Stamp(s):

Job No.: **5127**

Sheet No.: **A1.06**

Release: -