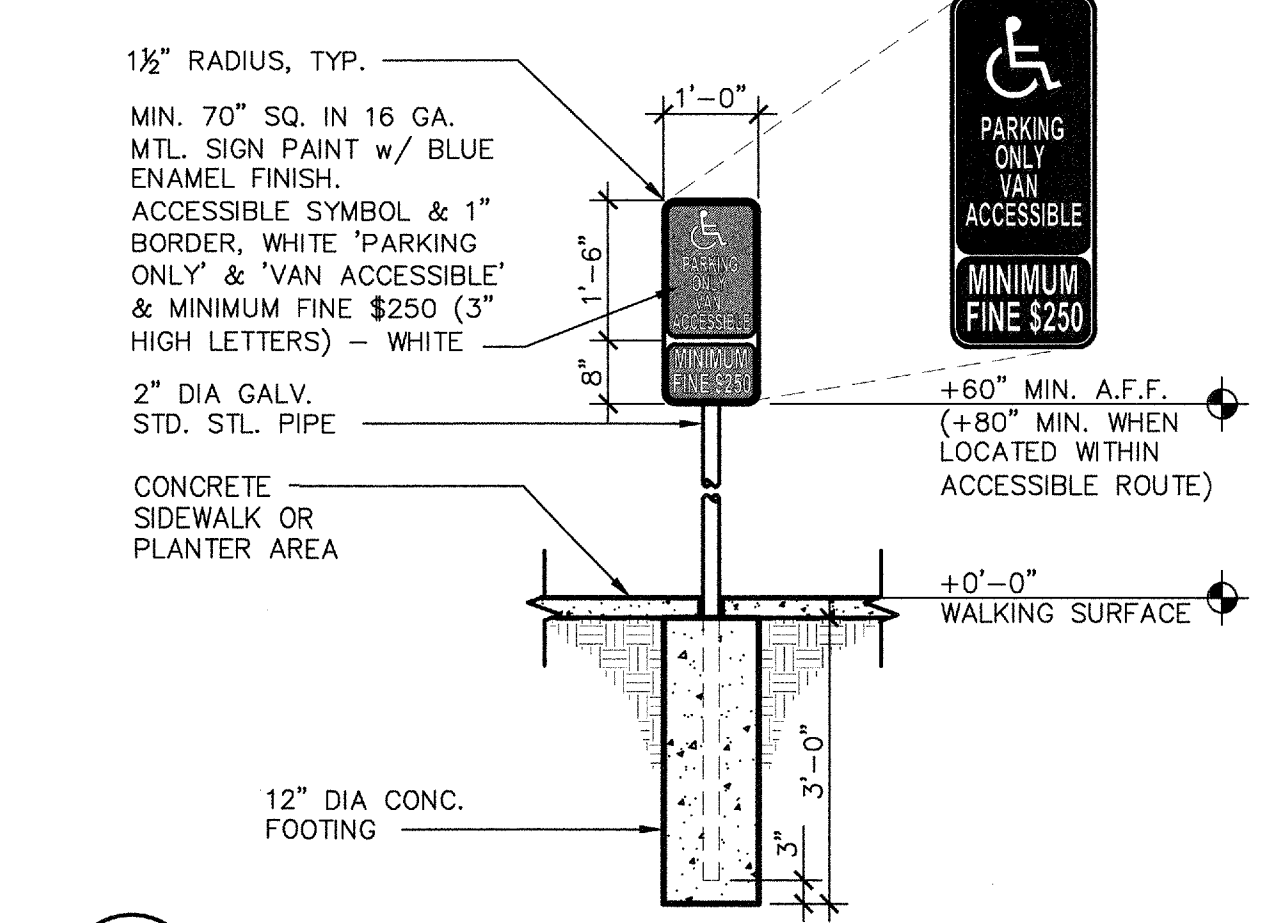
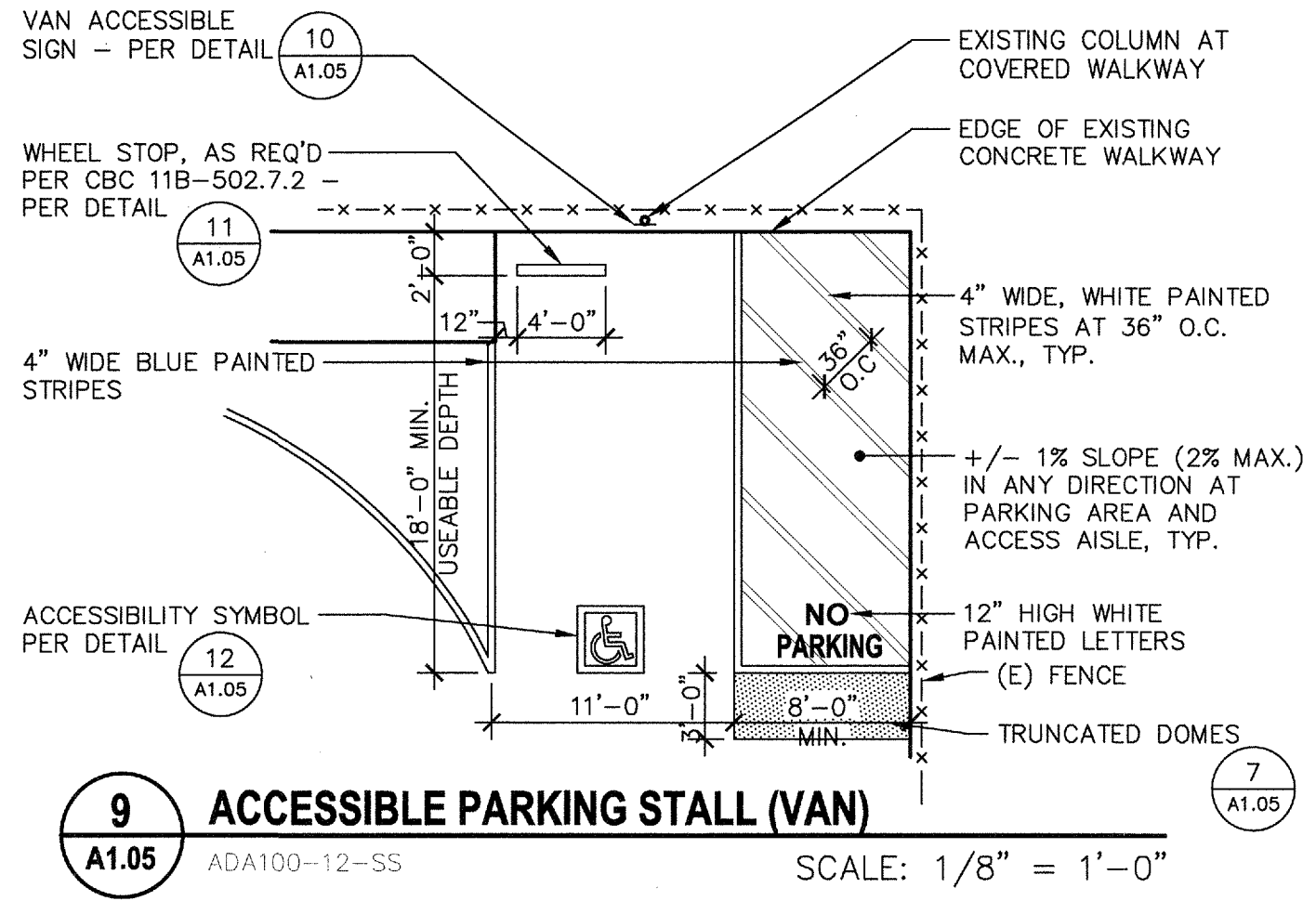


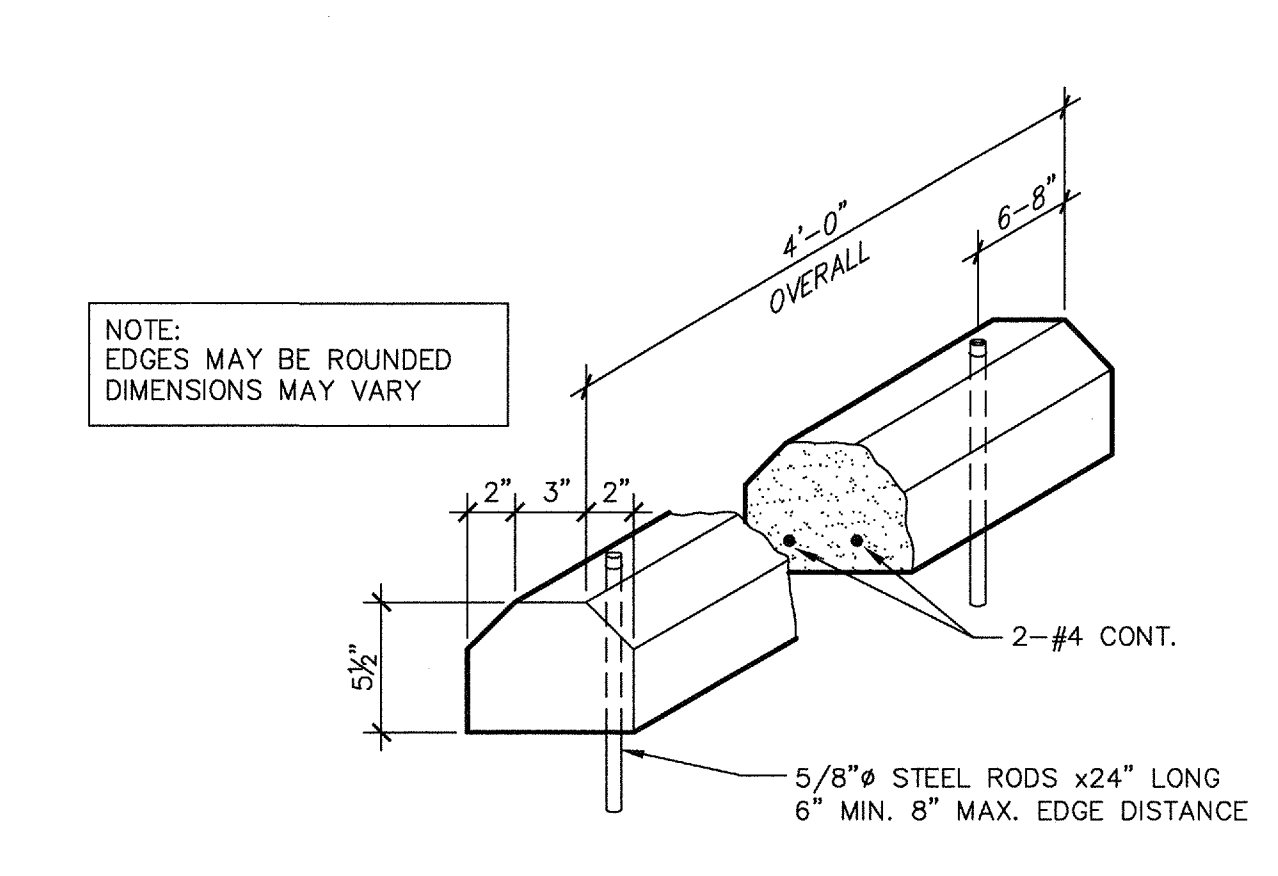
14 PLAN @ DRINKING FOUNTAIN
ADA000-18
SCALE: 1" = 1'-0"



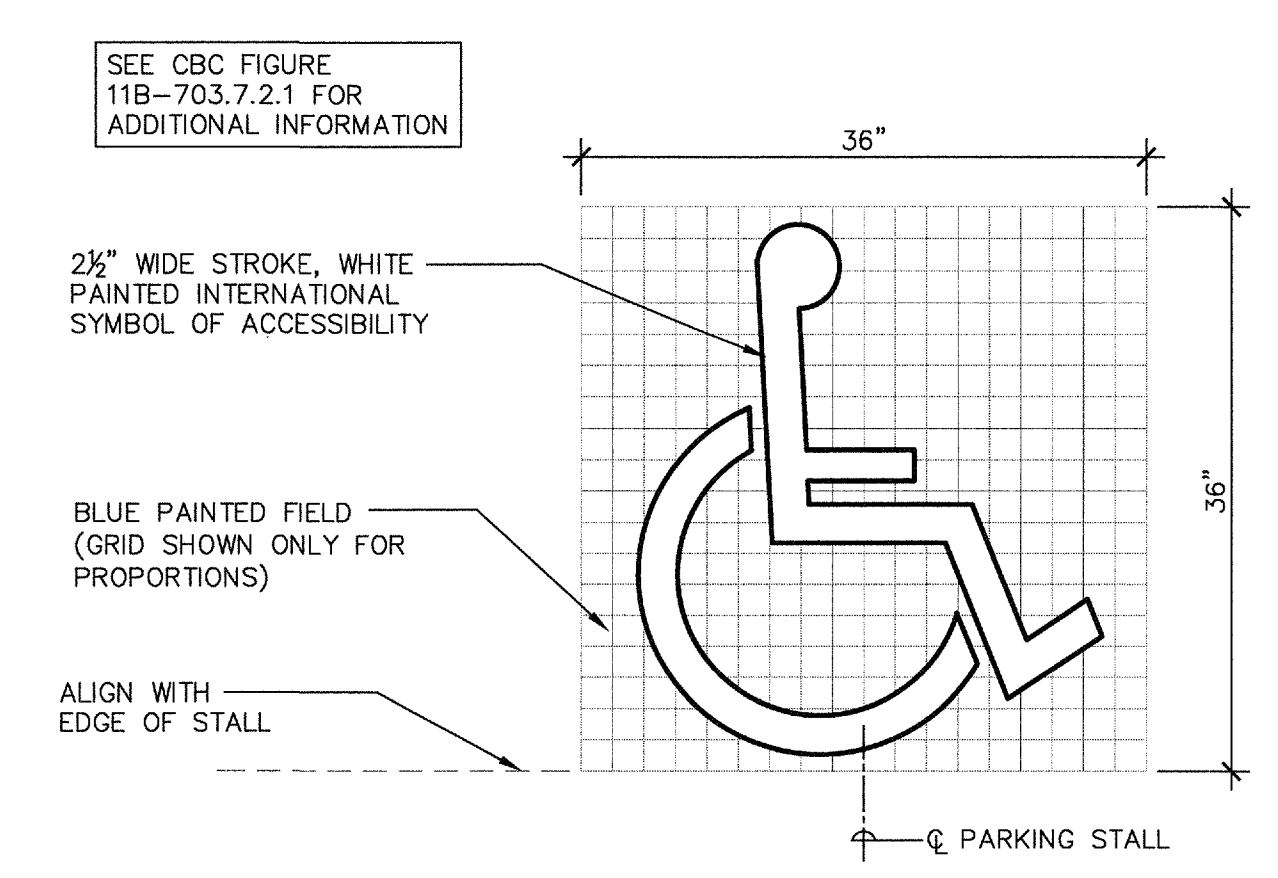
16 ACCESSIBLE RESTROOM DIRECTIONAL SIGNAGE
A1.05 ADA100-04
SCALE: 1" = 1'-0"



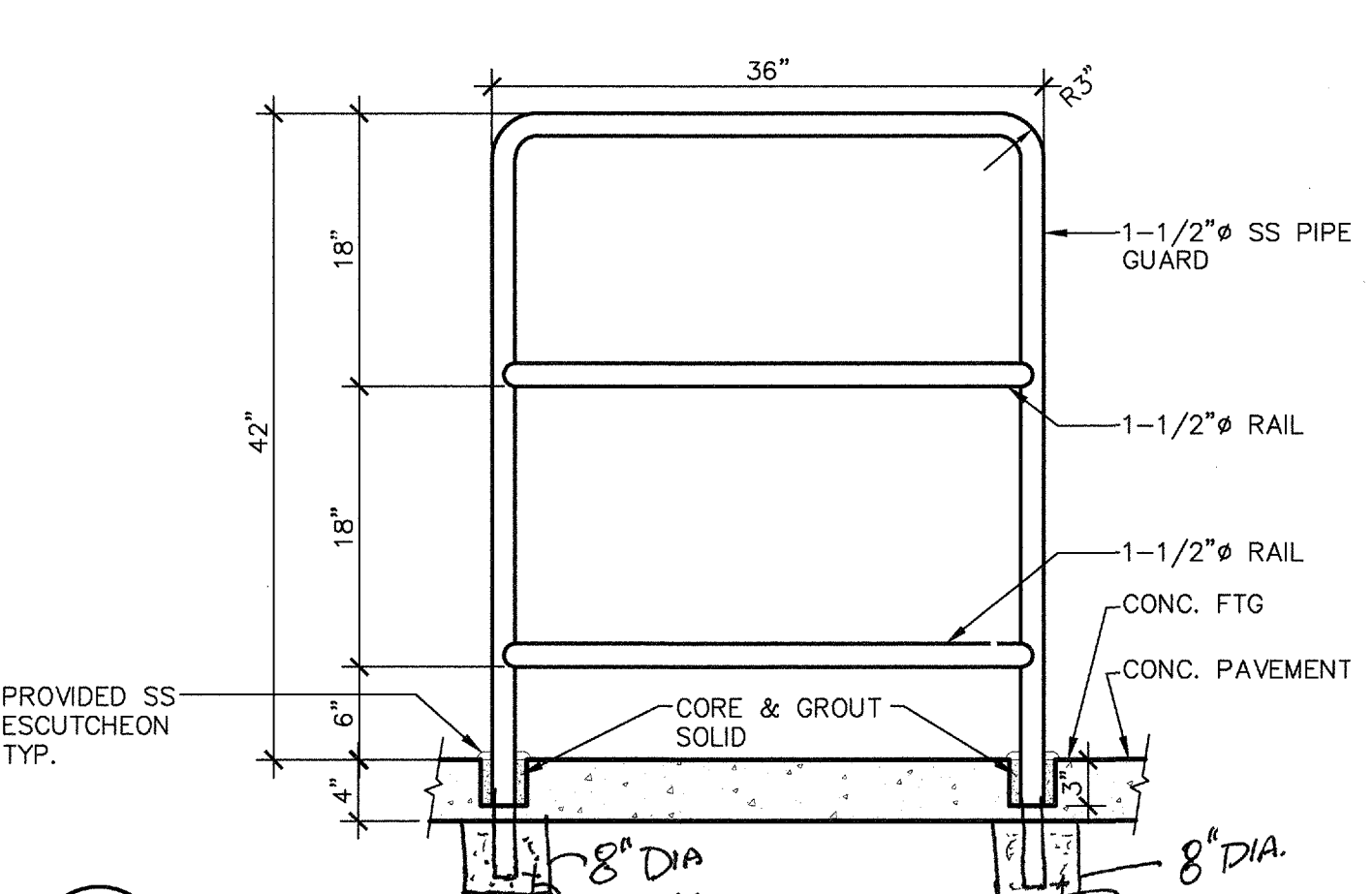
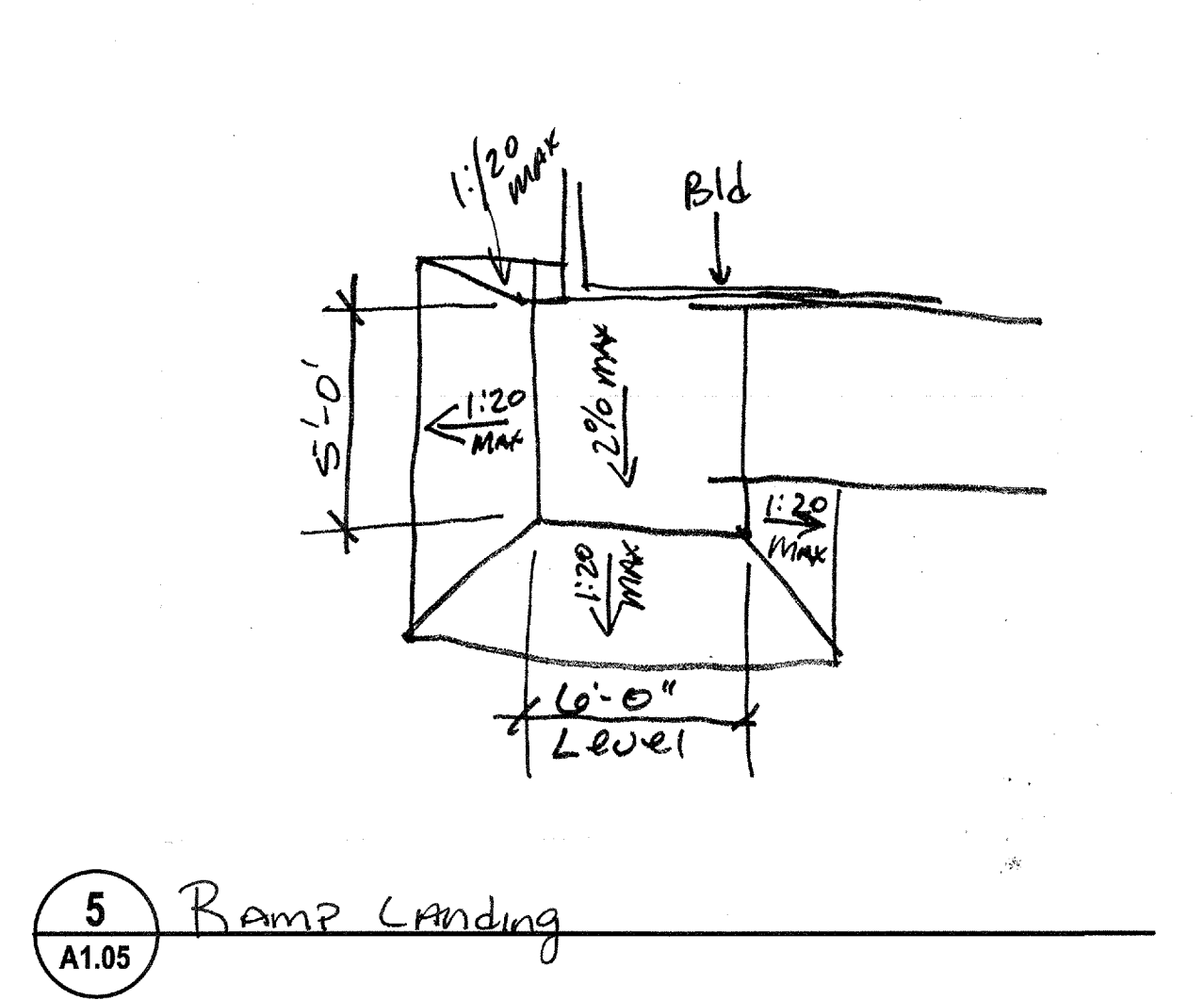
10 VAN ACCESSIBLE PARKING SIGNAGE
A1.05 ADA100-30
SCALE: 1" = 1'-0"



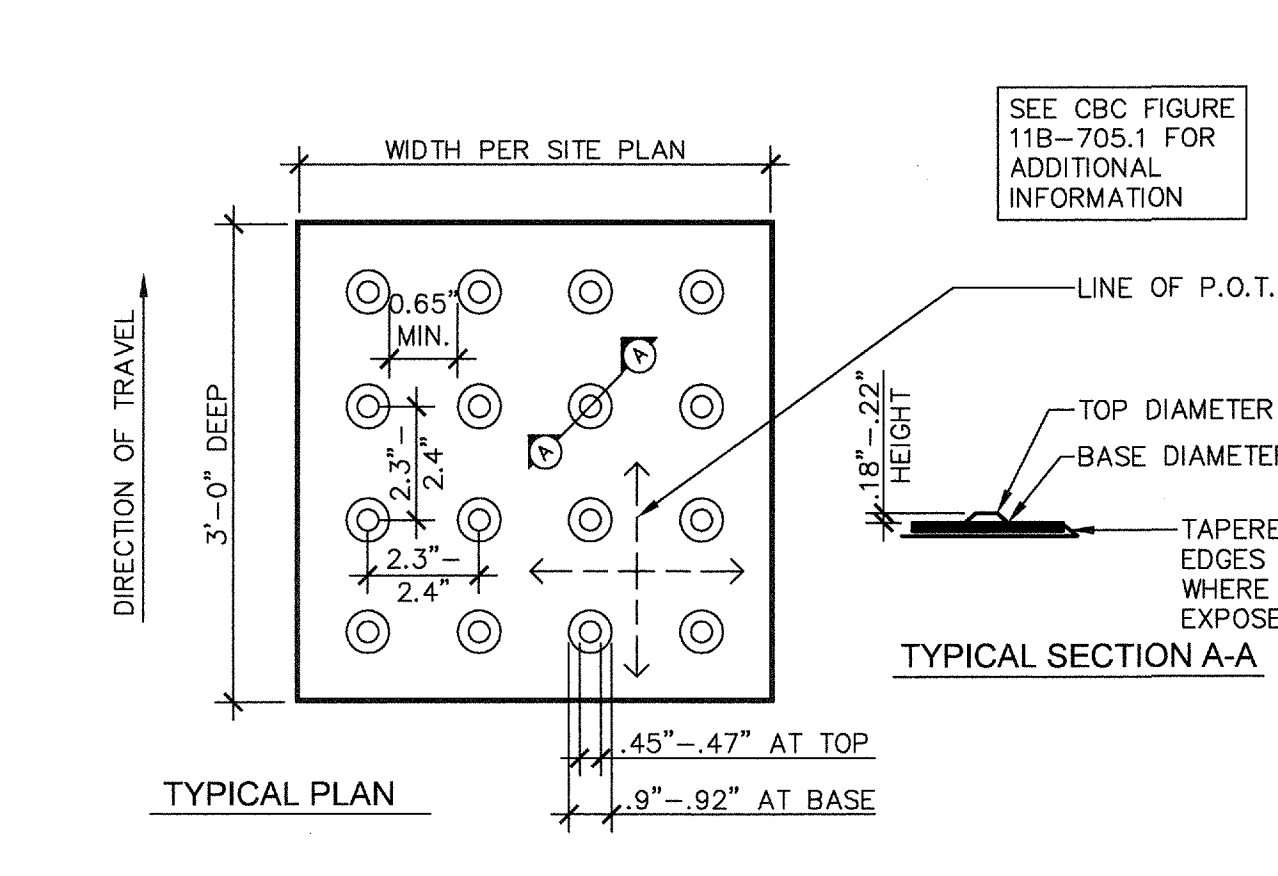
11 WHEEL STOP
A1.05 ADS100-31
SCALE: 1" = 1'-0"



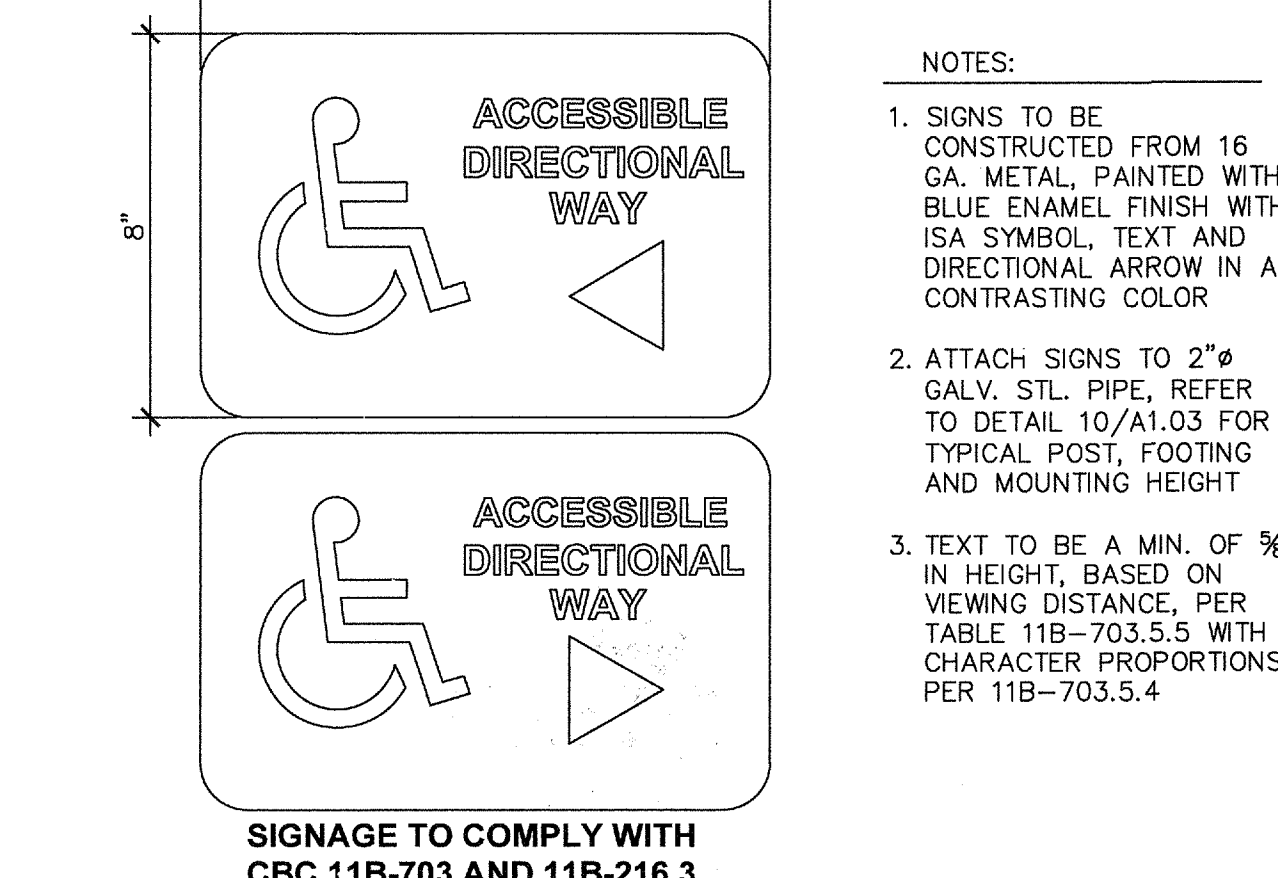
12 TYPICAL ACCESSIBLE PARKING STALL SYMBOL
A1.05 ADA100-03
SCALE: 1" = 1'-0"



6 GUARD RAIL
A1.05 ADA000-16
SCALE: 1" = 1'-0"

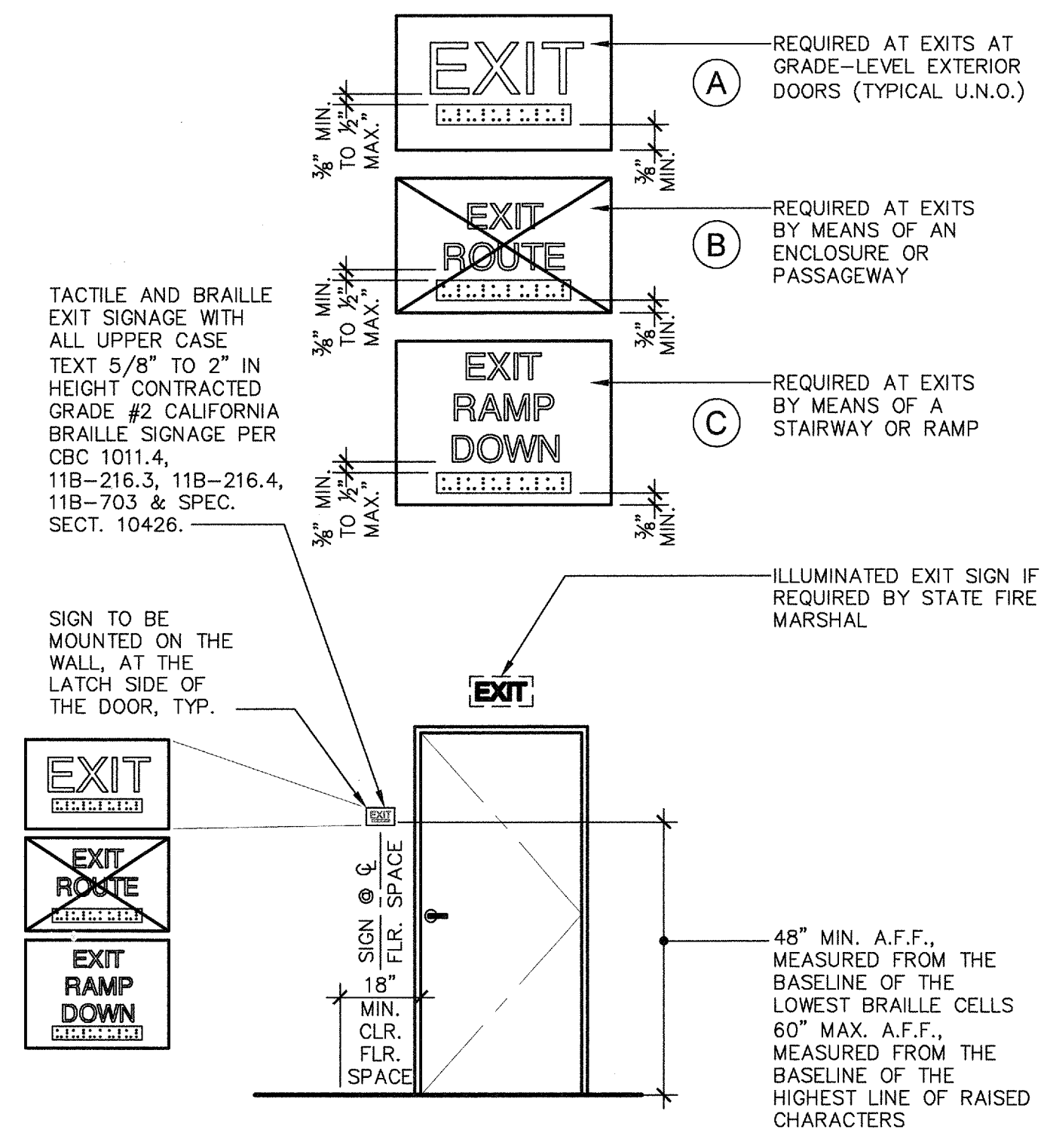


7 TRUNCATED DOMES
A1.05 ADA100-23
SCALE: NO SCALE

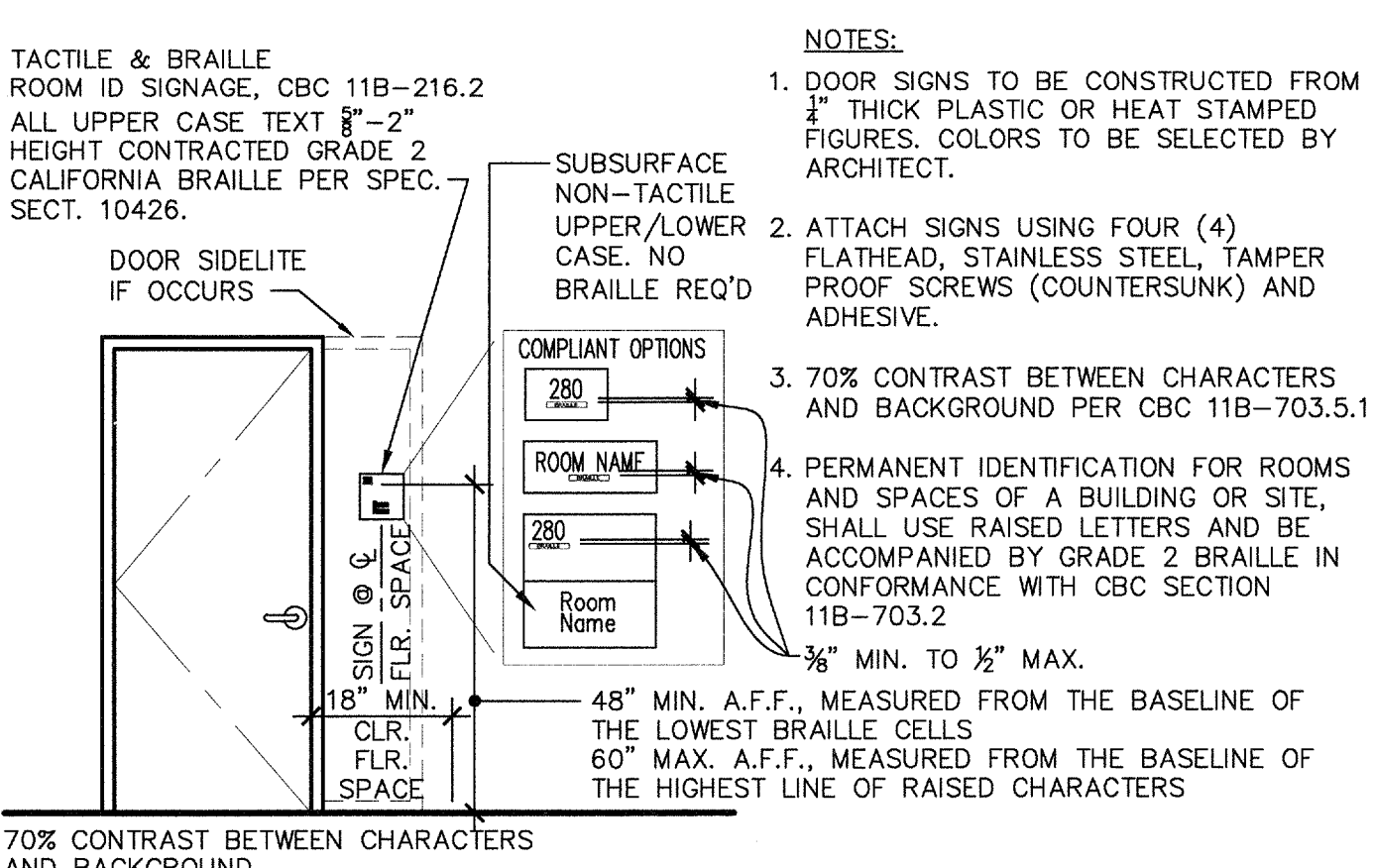


8 ACCESSIBLE DIRECTIONAL SIGNAGE
A1.05 ADA100-02
SCALE: 1" = 1'-0"

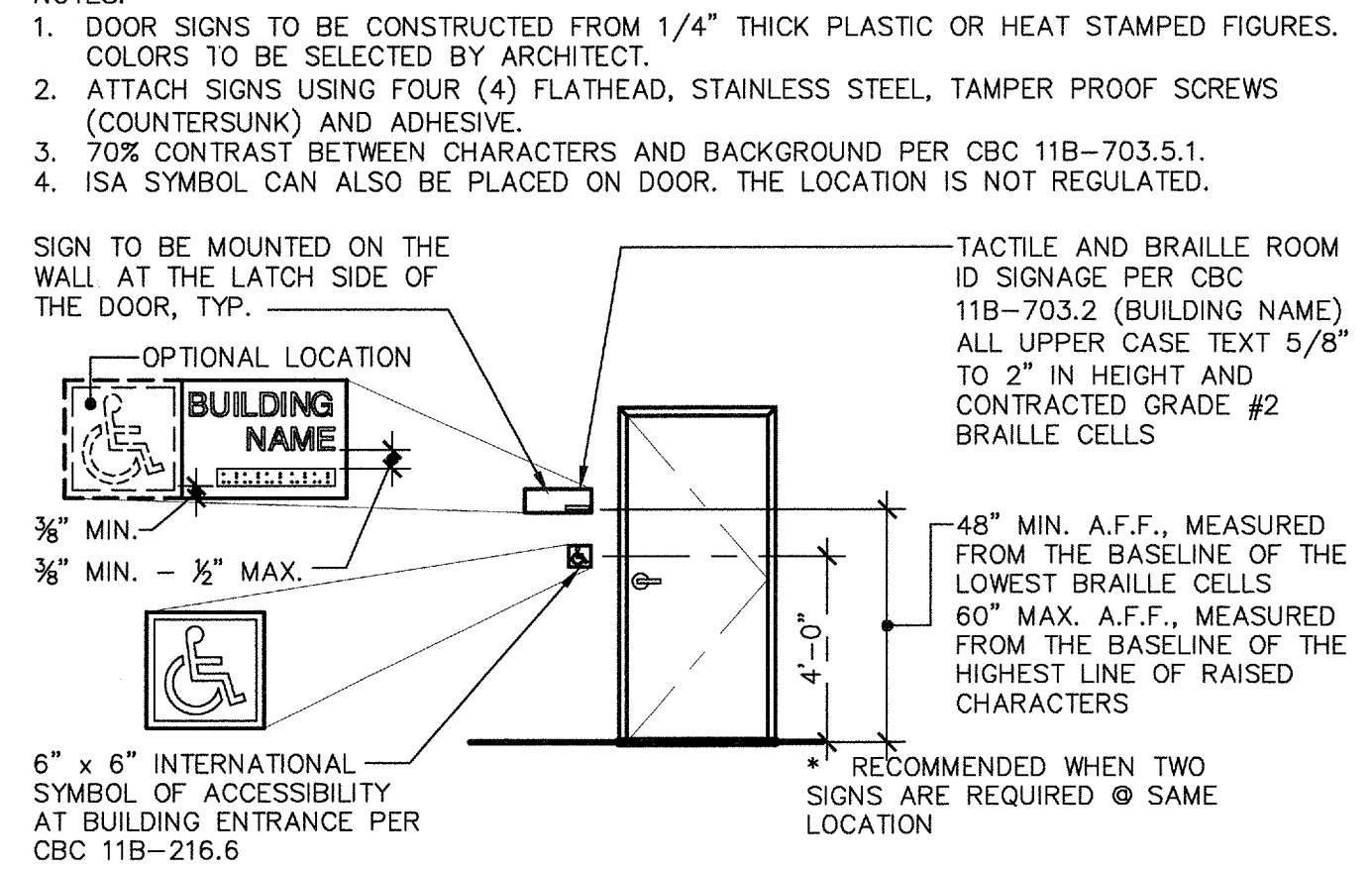
- NOTES:
1. DOOR SIGNS TO BE CONSTRUCTED FROM 1/4" THICK PLASTIC OR HEAT STAMPED FIGURES. COLORS TO BE SELECTED BY ARCHITECT.
2. ATTACH SIGNS USING FOUR (4) FLATHEAD, STAINLESS STEEL, TAMPER PROOF SCREWS, (COUNTERSUNK) AND ADHESIVE.
3. 70% CONTRAST BETWEEN CHARACTERS AND BACKGROUND



2 TYPICAL EXTERIOR DOOR SIGNAGE
A1.05 ADX200-01
SCALE: 1" = 1'-0"



3 ROOM ID SIGNAGE
A1.05 ADX100-01
SCALE: NO SCALE



4 BUILDING ENTRANCE/ISA SIGNAGE
A1.05 ADA100-01
SCALE: 1" = 1'-0"

Ownership of Documents
This document, the ideas and designs incorporated herein, as an instrument of Professional Service is the property of Integrated Designs by SOM, Inc. and is not to be used, in whole or in part for any other project without written authorization.
© COPYRIGHT 2015

integrated designs by SOM, Inc.
ARCHITECTURE · INTERIOR DESIGN · CONSTRUCTION MANAGEMENT
9011 N. Fremont, Suite 130 - Fresno, California 93710
Phone (559) 438-0881 Fax (559) 438-0887 E-Mail: design@som.com
www.integrateddesigns.com

Rev. Date: _____
Revision Description: _____

SITE DETAILS

4 RELOCATABLE CLASSROOMS & 1 TOILET BLDG
WASHINGTON MIDDLE SCHOOL
BAKERSFIELD CITY SCHOOL DISTRICT
1101 NOBLE AVE., BAKERSFIELD, CA 93305

Project Name & Address:
Sheet Title:
Issue Date: 11/13/14
Date: 05/06/16
Designer:
DR:
PC: C-JH

Agency Approval Stamp:
FILE # 15-6
IDENTIFICATION STAMP
DIV. OF THE STATE ARCHITECT
OFFICE OF REGULATION SERVICES
03-117025
AC: FLS: SS: RC
DATE: 05/12/2016
TRACKING #: 63321-

Stamp(s):

Job No.: **5127**

Sheet No.: **A1.05**

Release: _____