

Donald W. Renfro, AIA
 Mark E. Russell, AIA
 C-3283
 C-12728

4800 Broadway, Highway 99, Suite 304, Bellingham, California 94920 (408) 327-7075
 CONSULTANTS

Eugene Wu
EUGENE WU
 CC-REGISTERED ELECTRICAL ENGINEER
 2717 W. BAKERSTOWN AVE., PLYMOUTH, CA 94966
 TELEPHONE (707) 344-4441

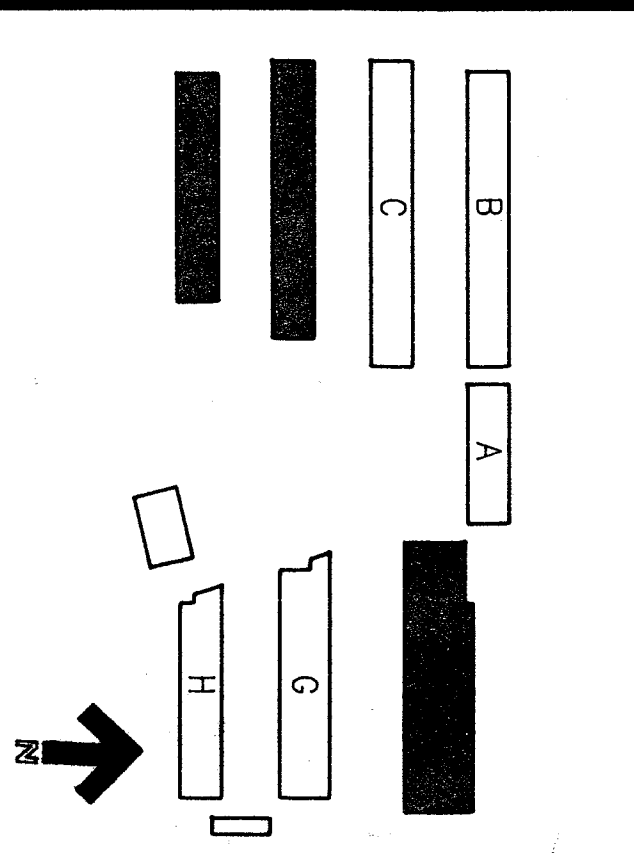
PROJECT

BAKERSFIELD CITY SCHOOL DISTRICT

WASHINGTON JUNIOR HIGH SCHOOL MODERNIZATION

THE OWNER'S RESPONSIBILITY IS TO OBTAIN PERMITS AND TO OBTAIN NECESSARY APPROVALS FROM THE LOCAL, STATE AND FEDERAL AGENCIES. THE ARCHITECT'S RESPONSIBILITY IS TO OBTAIN NECESSARY APPROVALS FROM THE LOCAL, STATE AND FEDERAL AGENCIES. THE ARCHITECT'S RESPONSIBILITY IS TO OBTAIN NECESSARY APPROVALS FROM THE LOCAL, STATE AND FEDERAL AGENCIES.

KEY PLAN

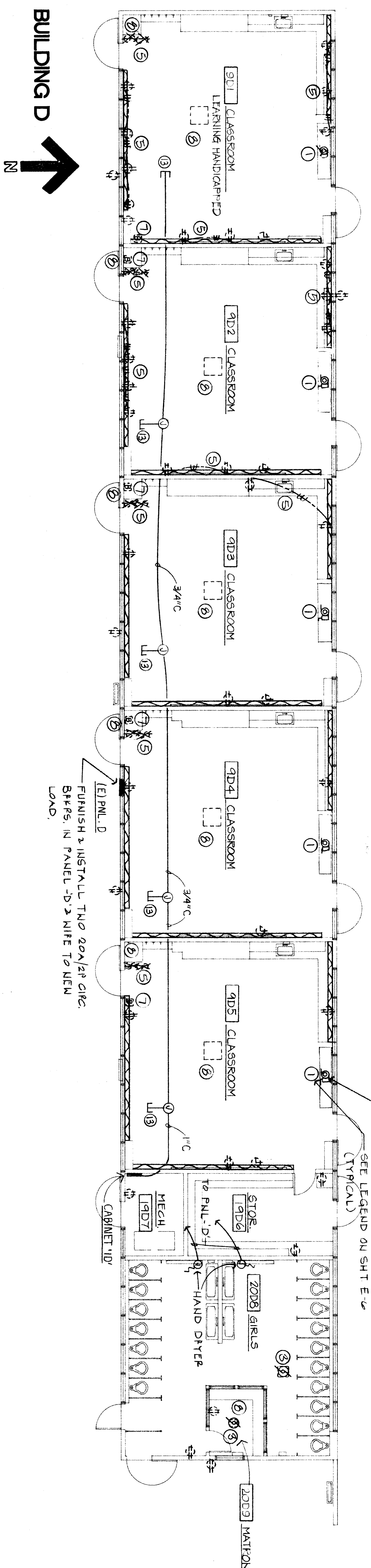


BAKERSFIELD CITY SCHOOL DISTRICT BOARD OF EDUCATION

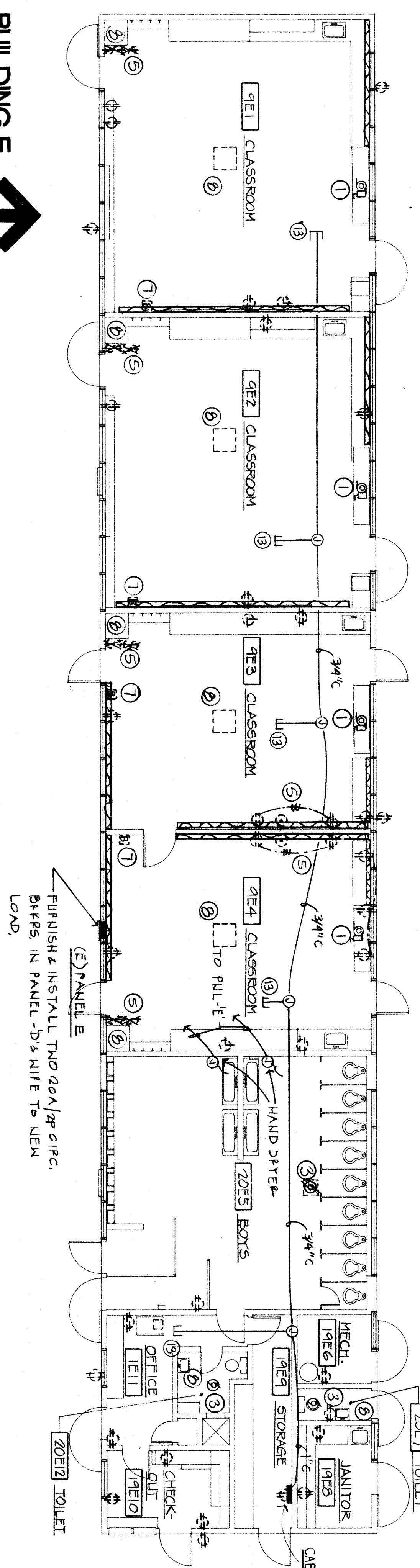
DATE	APPROVED
DATE	ISSUED FOR
DATE	REVISIONS

ELECTRICAL POWER AND SIGNAL BUILDINGS DEF

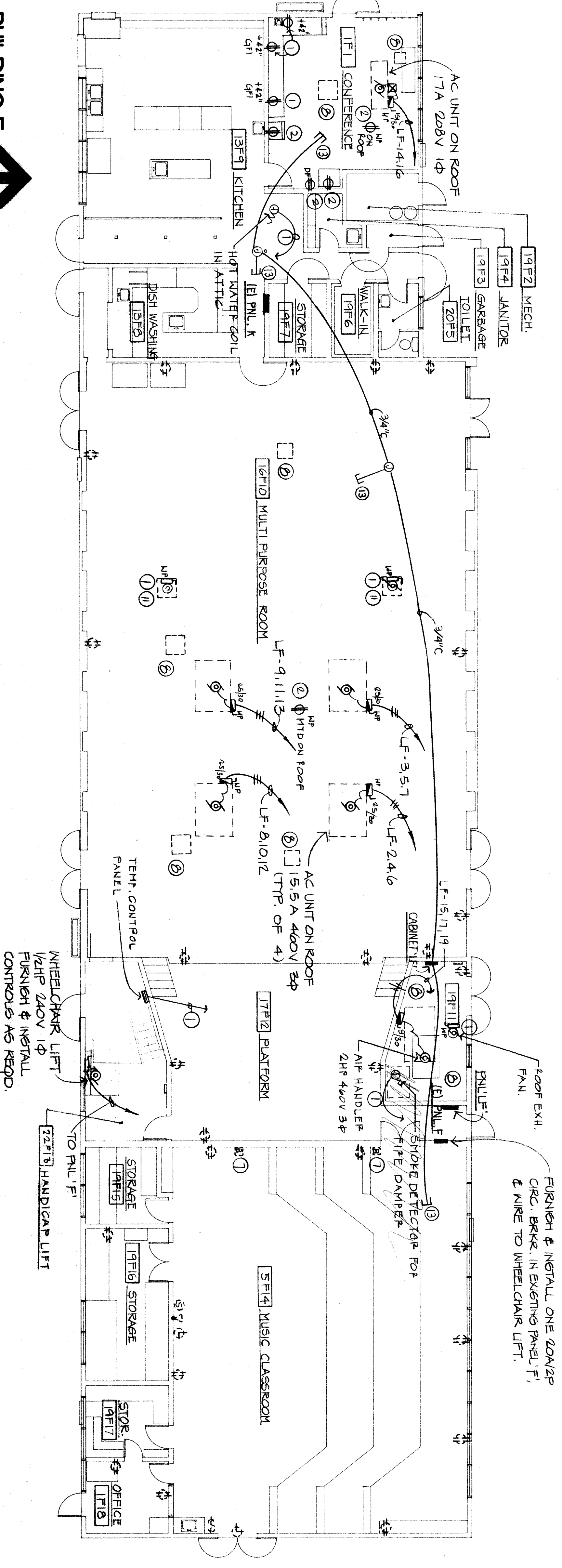
APPROVED/ARCHITECT
 CHECKED/EM
 DRAWN BY/4K
 SHEET NUMBER
E-7
 OF 5 SHEETS



BUILDING D



BUILDING E



BUILDING F

NOTE
 SEE SHEET E-6 FOR LEGEND.

IDENTIFICATION NUMBER
 Department of General Services
 Office of the State Architect
 13889
 1/17/80