

EXHAUST FAN SCHEDULE	(1)	(2)	(3)	(4)
DESIGNATION	100	800	6200	9300
CFM	100	0.25	0.75	1.25
E.S.P. (IN WC)	0/0	1/8	2	7 1/2
HP/WATTS	1/50	1/5	208 / 3	208 / 3
VOLTS/PHASE	115 / 1	115 / 1	208 / 3	208 / 3
RPM	1050	1050	480	690
TIP SPEED/SONES	— / 1.4	3500 / 6.3	4600 / 9.3	6400 / 13.1
DRIVE	DIRECT	DIRECT	BELT	BELT
MOUNTING	CEILING	ROOF	—	—
MANUFACTURER	RENU	—	—	—
TYPE	ZEM/FA	FUMER	FAX 36B	FAX 36B
MODEL NUMBER	Z-6-A4	FAX 127L	FAX 36B	FAX 36B
CONTROL	I.C. W/NUA-1	—	—	—
LOCATION	LAUNDRY	EXHAUST KITCHEN	EXHAUST KITCHEN	EXHAUST KITCHEN
OPER. WT. (LBS)	20	30	450	450
ACCESSORIES	(1)	(2)	(3)	(4)

(1) : CONTROL, 1730 SPEED CONTROLLER
 (2) : CONTROL, 1730 SPEED CONTROLLER
 (3) : VENTILATED ROOF
 (4) : VENTILATED ROOF

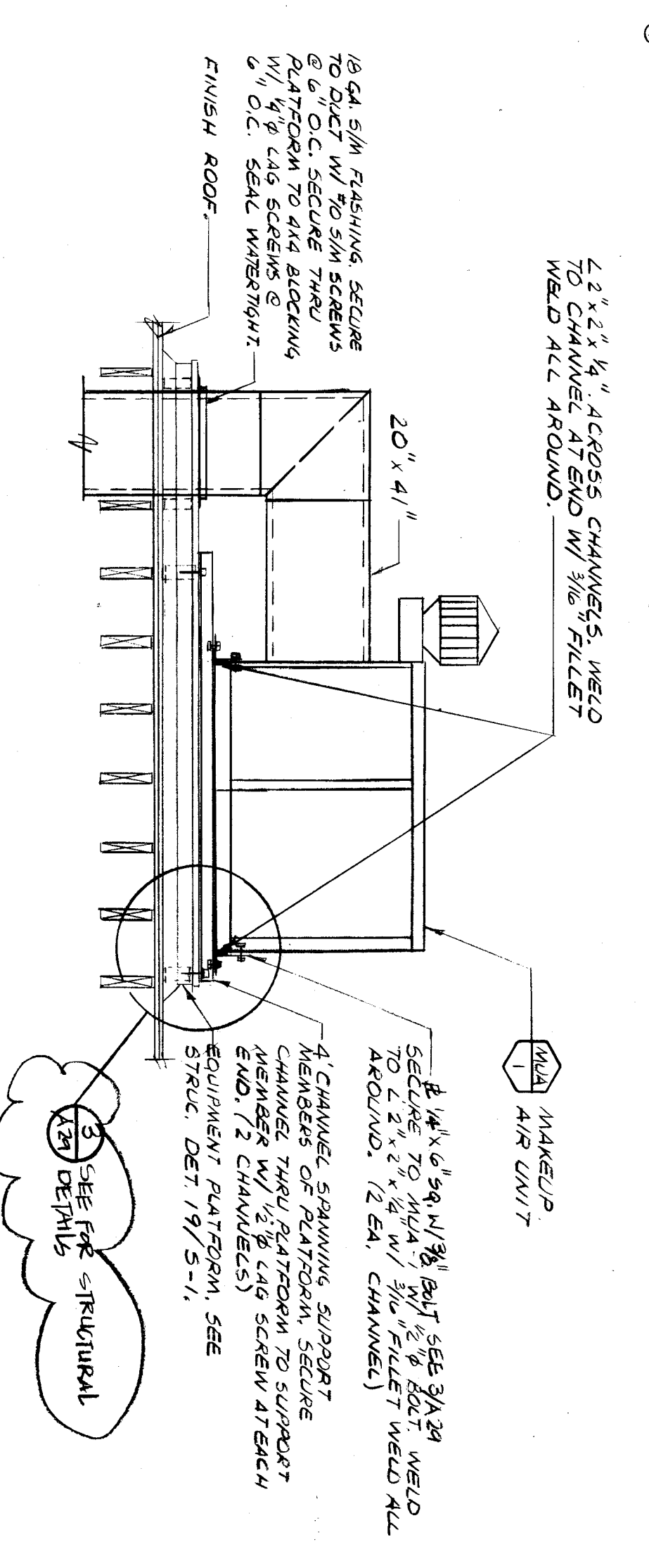
MAKE-UP AIR UNIT SCHEDULE	(1)
DESIGNATION	100
CFM	5,350
E.S.P. (IN WC)	0.5
HP	2.1
VOLTS/PHASE	208 / 3
INPUT (HP)	3000.0
OUTPUT (HP)	2400.0
FUEL	NATURAL GAS
MANUFACTURER	AMES
TYPE	GAS FIRED
MODEL NUMBER	30B
LOCATION	KITCHEN
OPER. WT. (LBS)	850
ACCESSORIES	—

EVAPORATIVE COOLER SCHEDULE	(1)
DESIGNATION	100
CFM	11,700
E.S.P. (IN WC)	0.25
FAN HP	3
FAN VOLTS/PHASE	208 / 3
PUMP HP	—
PUMP VOLTS/PHASE	—
MANUFACTURER	ARVIN
TYPE	COOL FLOW
MODEL NUMBER	ED 2,138
LOCATION	KITCHEN
OPER. WT. (LBS)	1210
ACCESSORIES	(1)

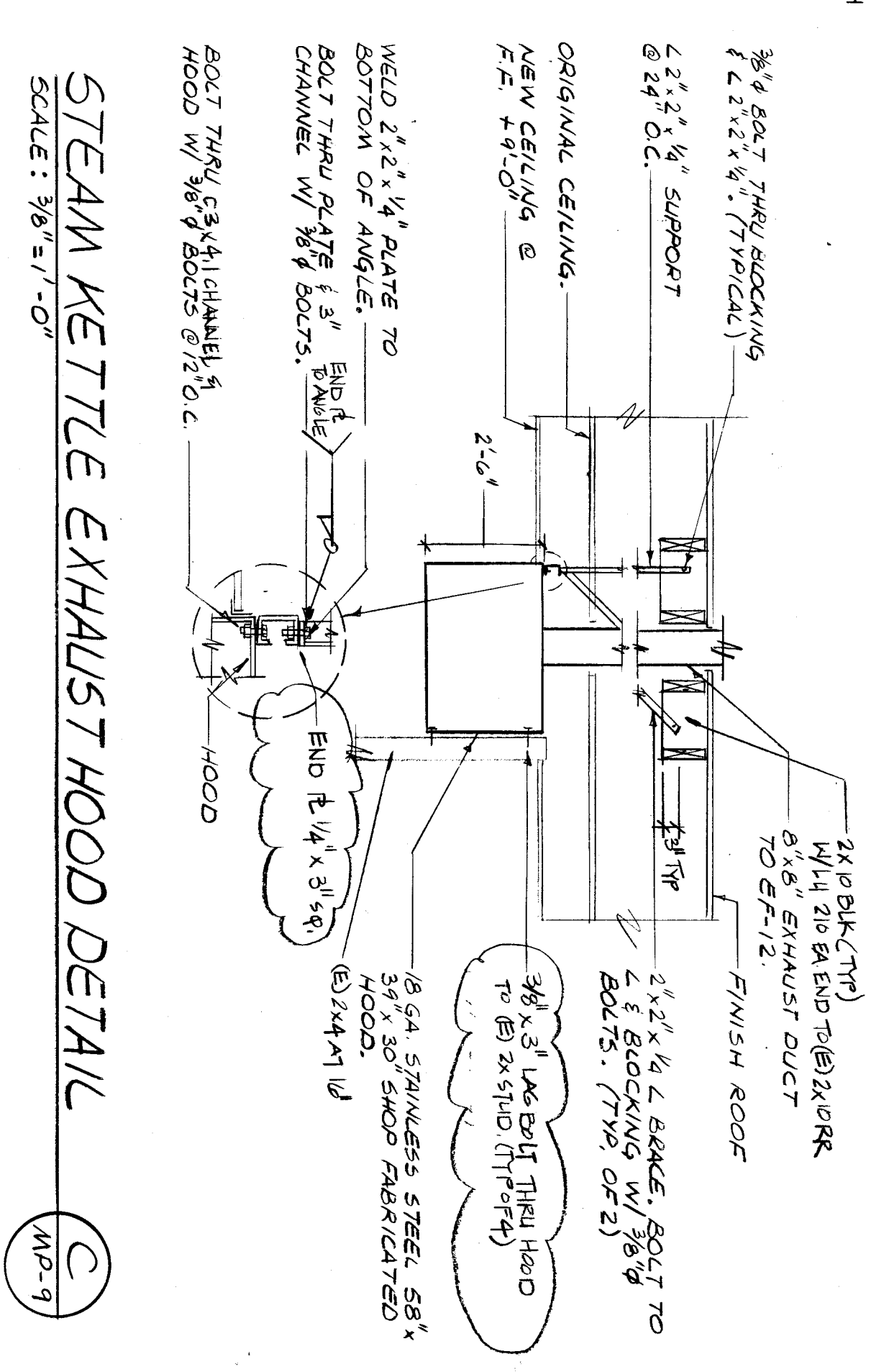
(1) : PUMP NOT REQUIRED

FLY FAN SCHEDULE	(1)	(2)	(3)
DESIGNATION	2,550	5,100	5,100
CFM	—	—	—
E.S.P. (IN WC)	1/8	2 1/2	—
HP/WATTS	1/5	115 / 1	115 / 1
VOLTS/PHASE	115 / 1	115 / 1	115 / 1
RPM	1,750	1,750	1,750
TIP SPEED/SONES	— / —	— / —	— / —
DRIVE	DIRECT	DIRECT	DIRECT
MOUNTING	WALL	WALL	WALL
MANUFACTURER	MARS	MARS	MARS
TYPE	AIR DOOR	AIR DOOR	AIR DOOR
MODEL NUMBER	36	66 HV	66 HV
CONTROL	4" BLOC	4" BLOC	4" BLOC
LOCATION	KITCHEN	KITCHEN	KITCHEN
OPER. WT. (LBS)	75	150	150
ACCESSORIES	(1)	(2)	(3)

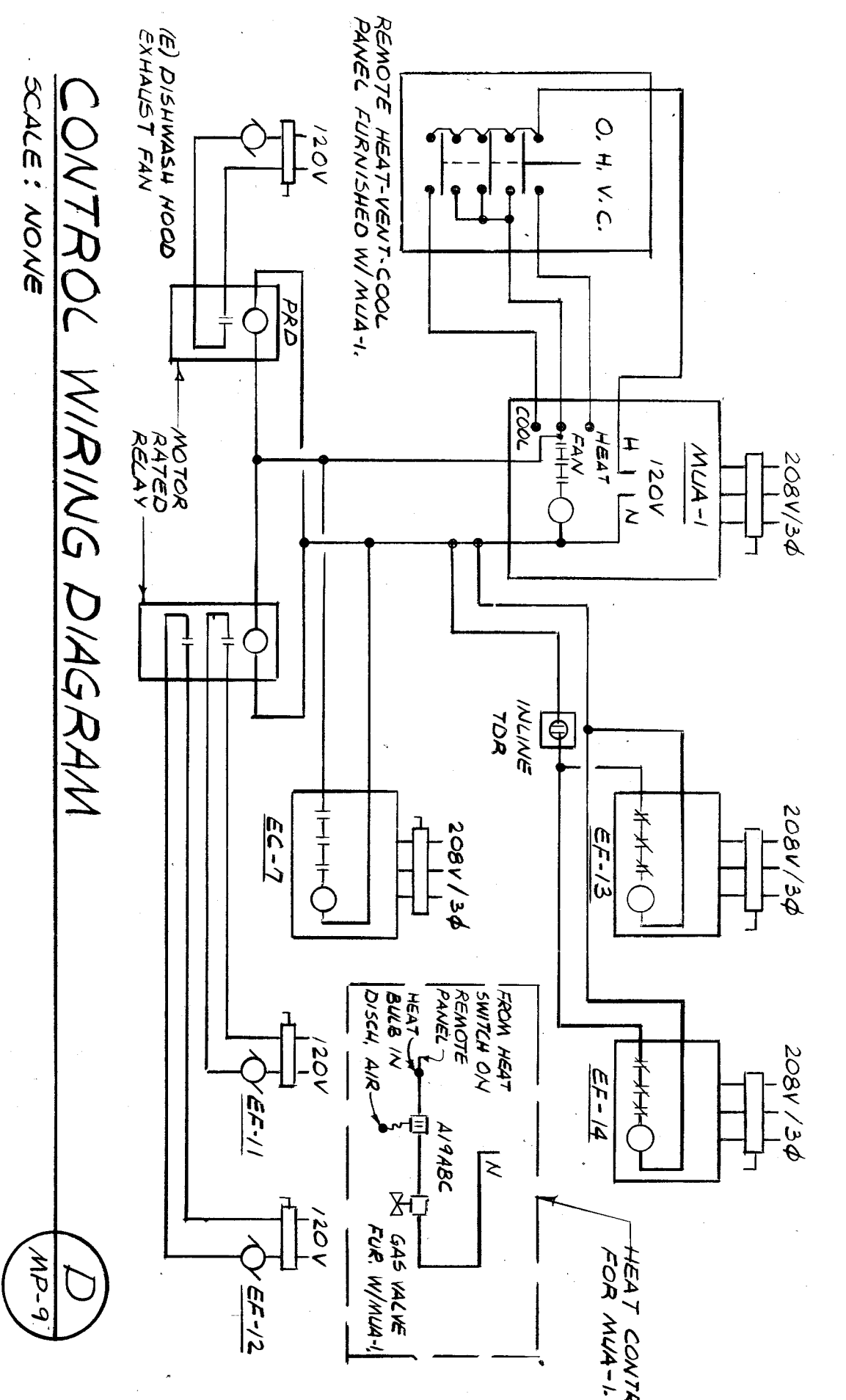
(1) : ONE MICROSWITCH FOR EACH DOOR EITHER ONE TO TURN ON FAN.
 (2) : FIELD SUPPLIED 1/2" SCREW FOR INLET.
 (3) : FACTORY SUPPLIED MICROSWITCH.
 (4) : TWO FLY SUPPLIED 1/2" MICROSWITCHES.



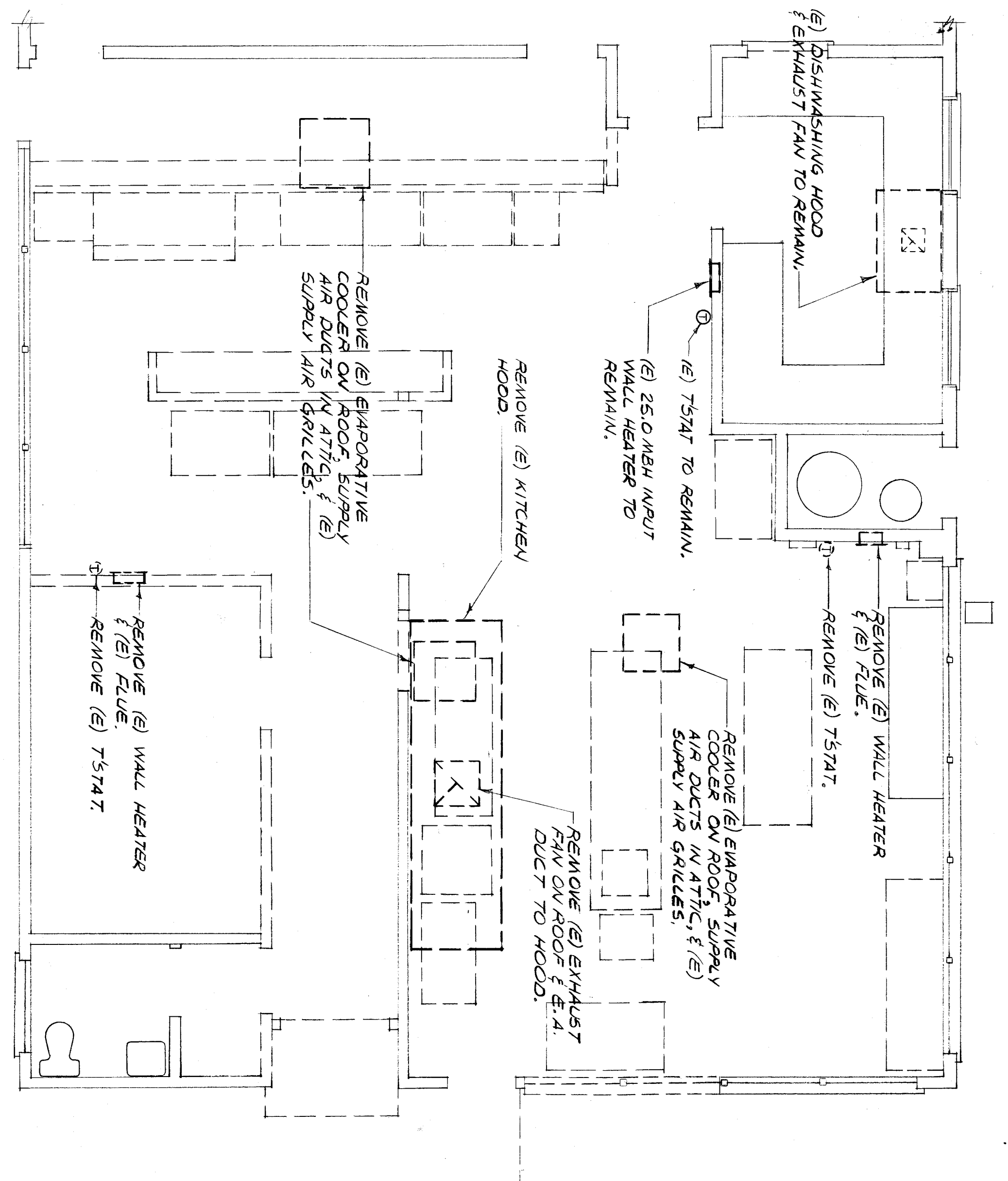
MUA-1 MOUNTING DETAIL
 SCALE: 3/8" = 1'-0"



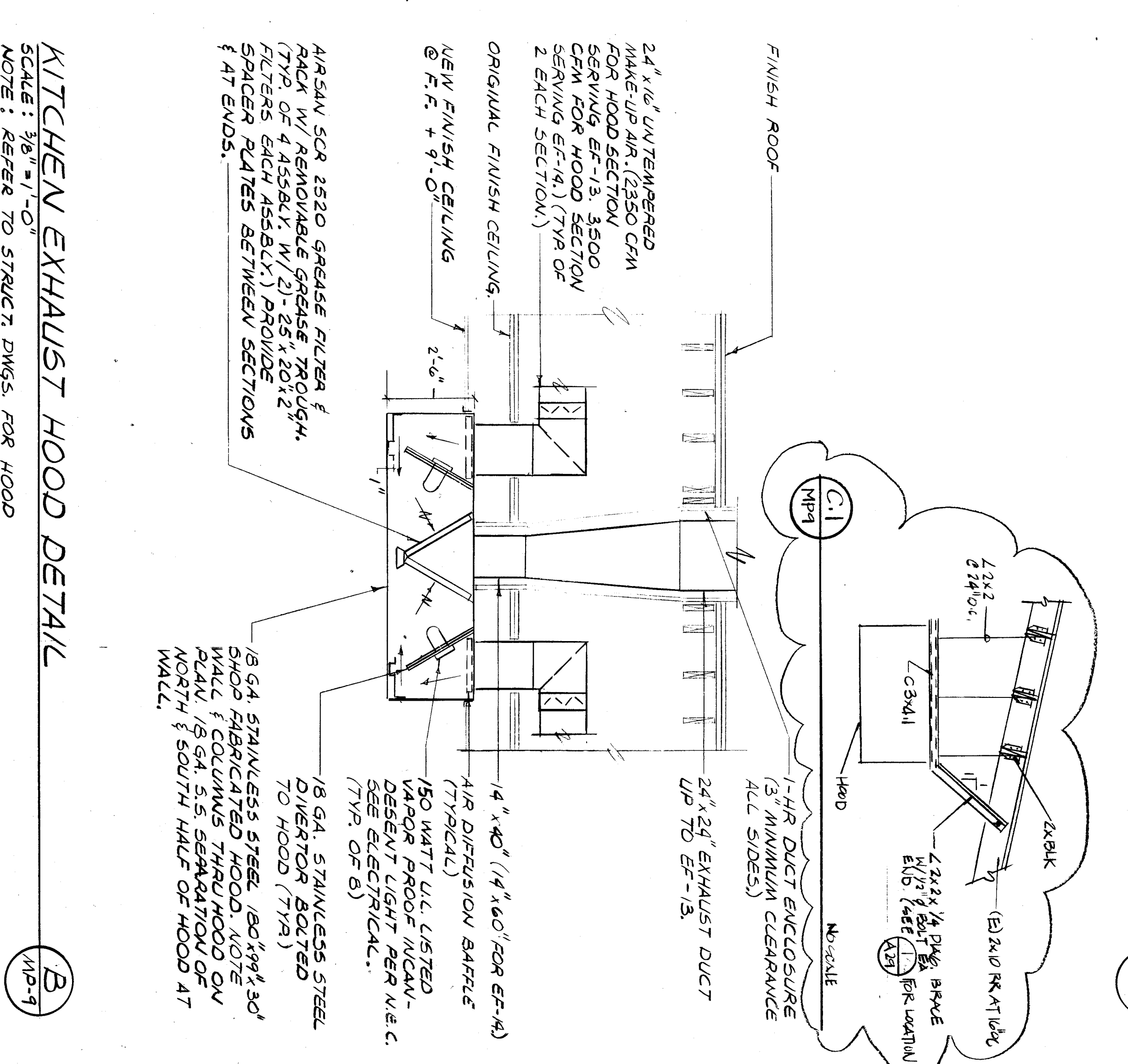
STEAM KETTLE EXHAUST HOOD DETAIL
 SCALE: 3/8" = 1'-0"



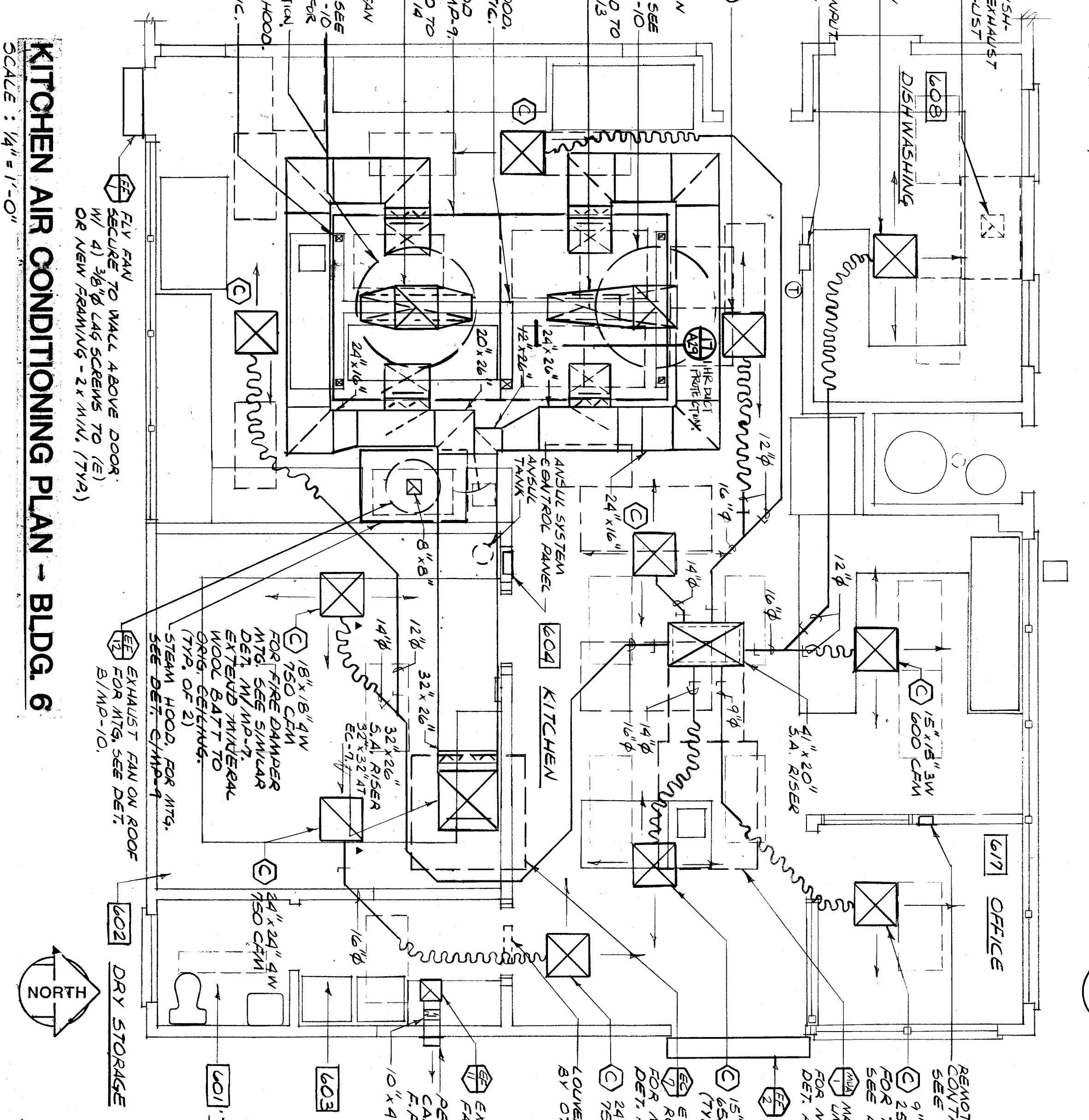
CONTROL WIRING DIAGRAM
 SCALE: NONE



KITCHEN A.C. DEMOLITION PLAN - BLDG. 6
 SCALE: 1/4" = 1'-0"



KITCHEN EXHAUST HOOD DETAIL
 SCALE: 3/8" = 1'-0"



KITCHEN AIR CONDITIONING PLAN - BLDG. 6
 SCALE: 1/4" = 1'-0"

4471 18th Ave. S. 1997
 ARCHITECTS
 CONSULTING MECHANICAL ENGINEERS

Donald R. Lawrence & Associates
 CONSULTING MECHANICAL ENGINEERS
 100 W. 5th Ave., Suite 20
 Phoenix, CA 91101
 (602) 248-0001

blpc inc.
 architects/planners
 37 Westwood Center, Suite 2000
 Westwood, CA 90024
 (818) 832-8122

blpc inc.
 architects/planners
 37 Westwood Center, Suite 2000
 Westwood, CA 90024
 (818) 832-8122

HVAC FAN'S, DETAILS AND SCHEDULES
**BLAIR LEARNING CENTER
 RECONSTRUCTION**
 900 Belle Terrace, Bakersfield, California

ADDENDUM #1
 10/15/10
 10/15/10
 MP-9