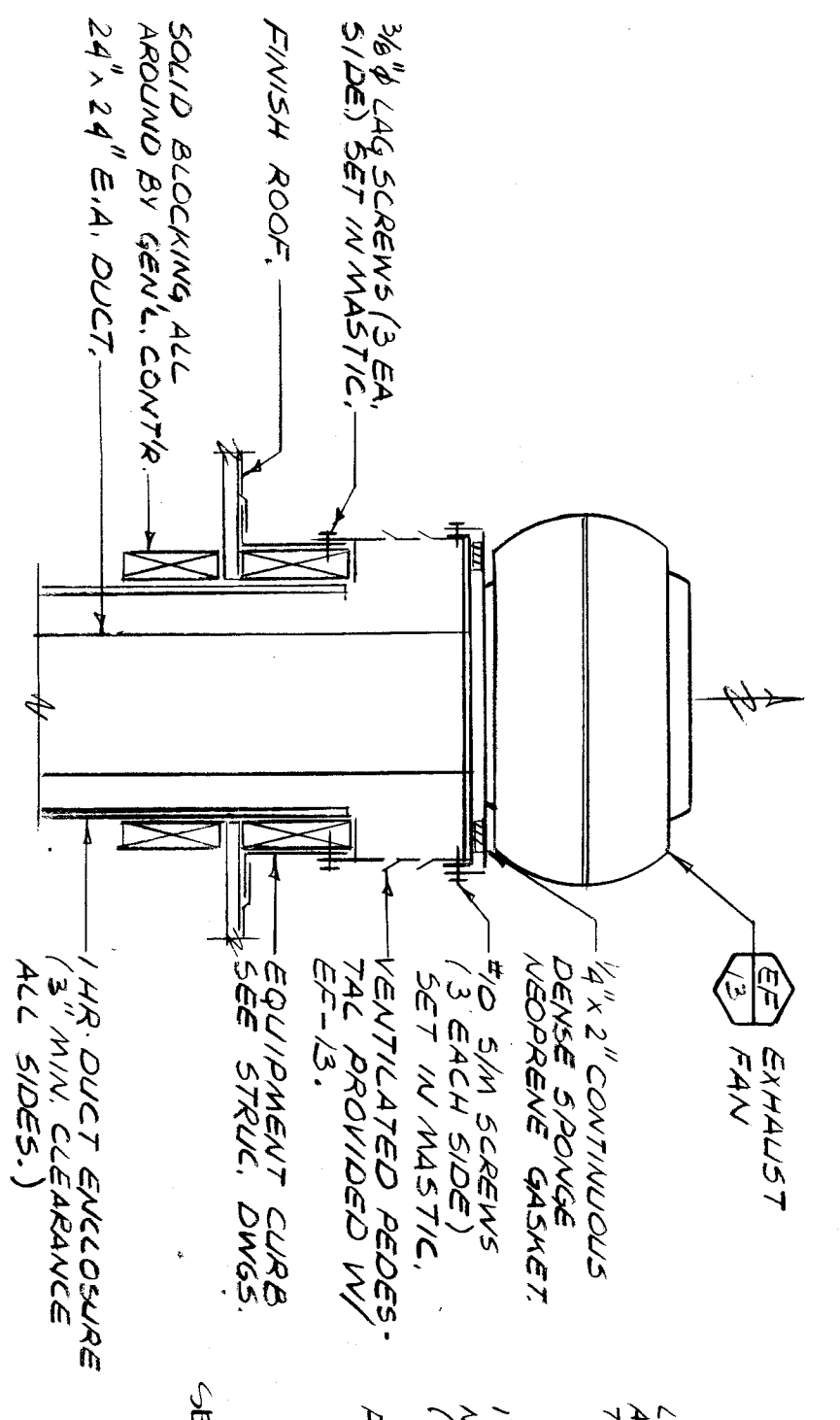
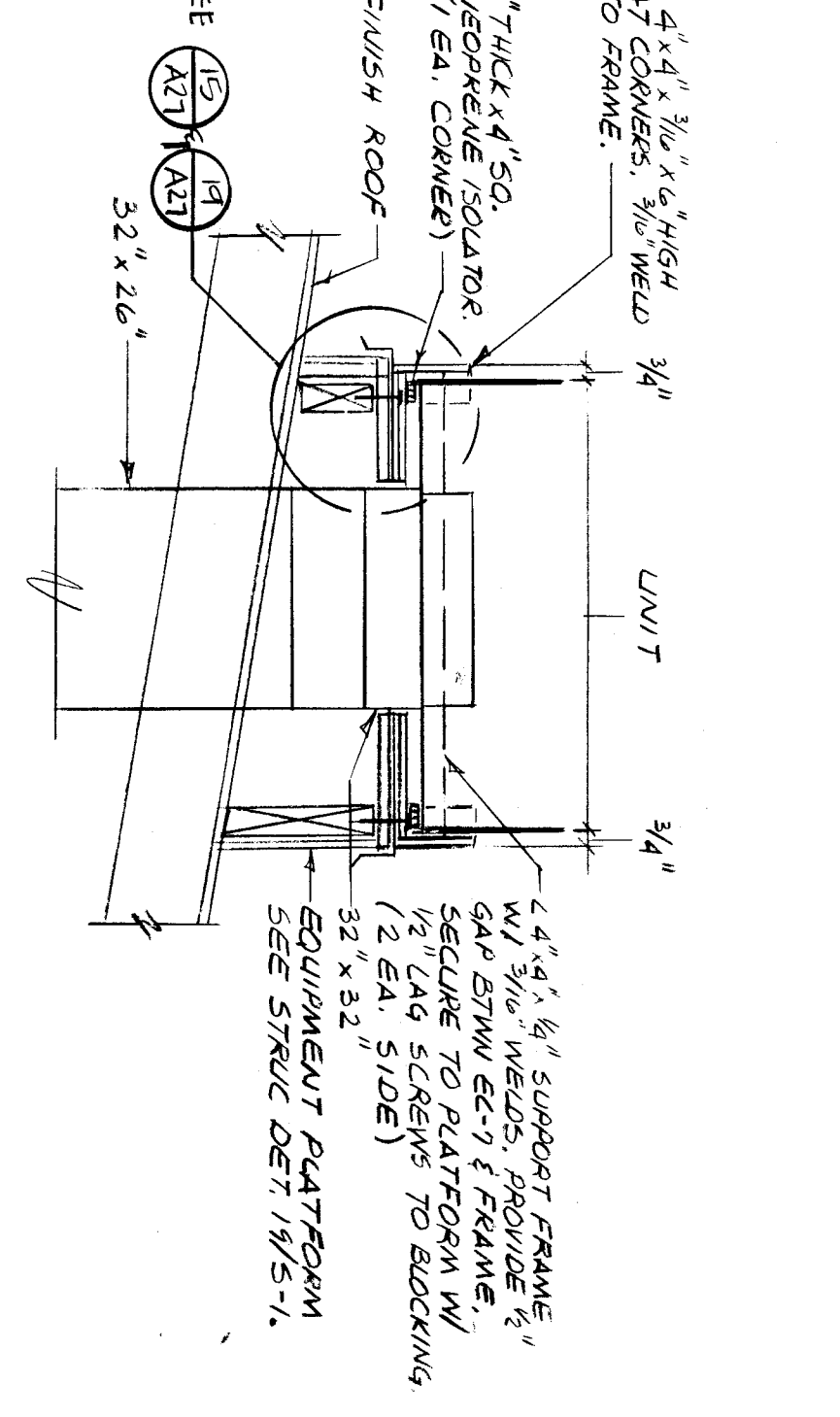


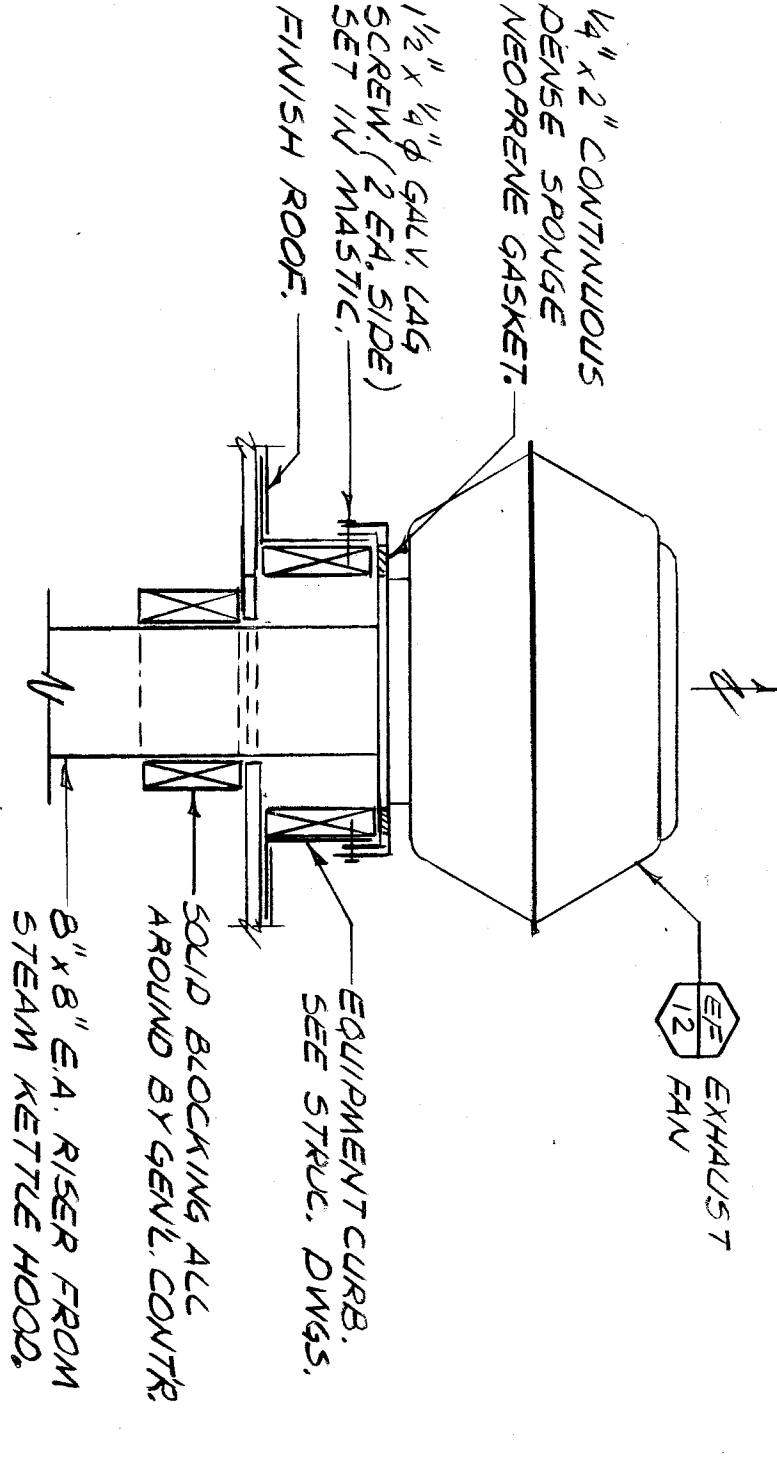
KITCHEN PLUMBING FIXTURE SCHEDULE						
MARK	FIXTURE	CONNECTION SIZES				
		S OR W	V.	C.M.	H.M.	
S-1	SINK	2"	1-1/2"	1/2"	1/2"	SINK, INTEGRAL W/COUNTER, PROVIDE CHICAGO #80-R W/ MOUNTED KETTLE FILLER FACET W/VACUUM BREAKER, 60" STAINLESS STEEL ROSE W/INSULATED HANDLE AND HOLD DOWN RING. W/TALPLEICE.
F-1	POT FILLER FACET	-	-	1/2"	1/2"	CHICAGO #125-R W/ MOUNTED KETTLE FILLER FACET W/VACUUM BREAKER, 60" STAINLESS STEEL ROSE W/INSULATED HANDLE AND HOLD DOWN RING.
F-2	KETTLE FILLER	-	-	1/2"	1/2"	CHICAGO #80-R W/ MOUNTED KETTLE FILLER FACET W/VACUUM BREAKER, 60" STAINLESS STEEL ROSE W/INSULATED HANDLE AND HOLD DOWN RING.
MB-1	WASHING MACHINE BOX	2"	1-1/2"	1/2"	1/2"	SIX BRN #1-200 SUPPLY AND DRAIN BOX, INSTALL AS BOTTOM SUPPLY.
F-3	FLOOR SINK	2"	1-1/2"	-	-	JUN R, SMITH #3140-12C, 12" X 12" RITZ LEXING, 1/2" H.M.F. BRATE. SEE PLAN FOR SIZE.



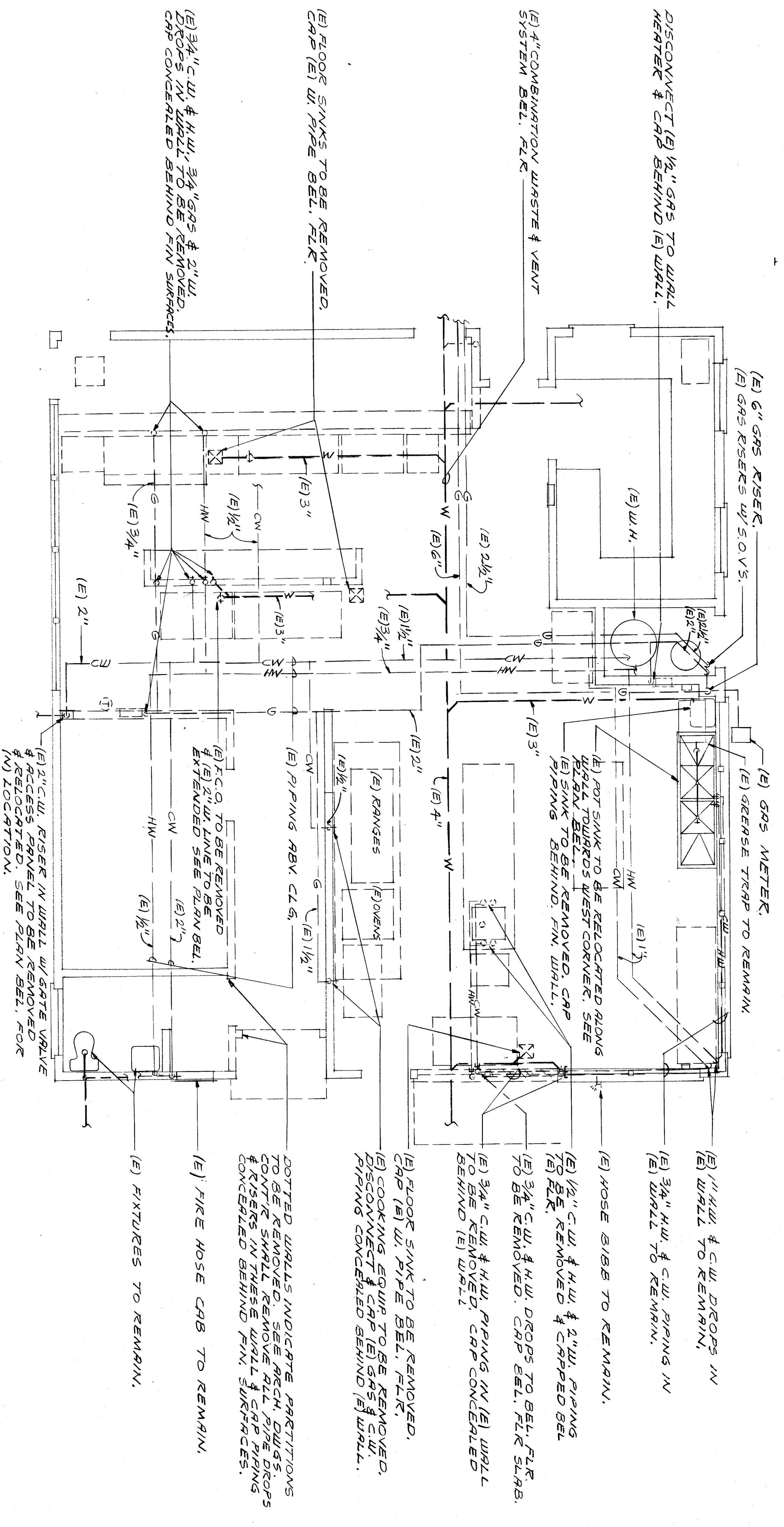
EF-13 MOUNTING DETAIL  
SCALE: NONE (EF-14 IS SIMILAR)



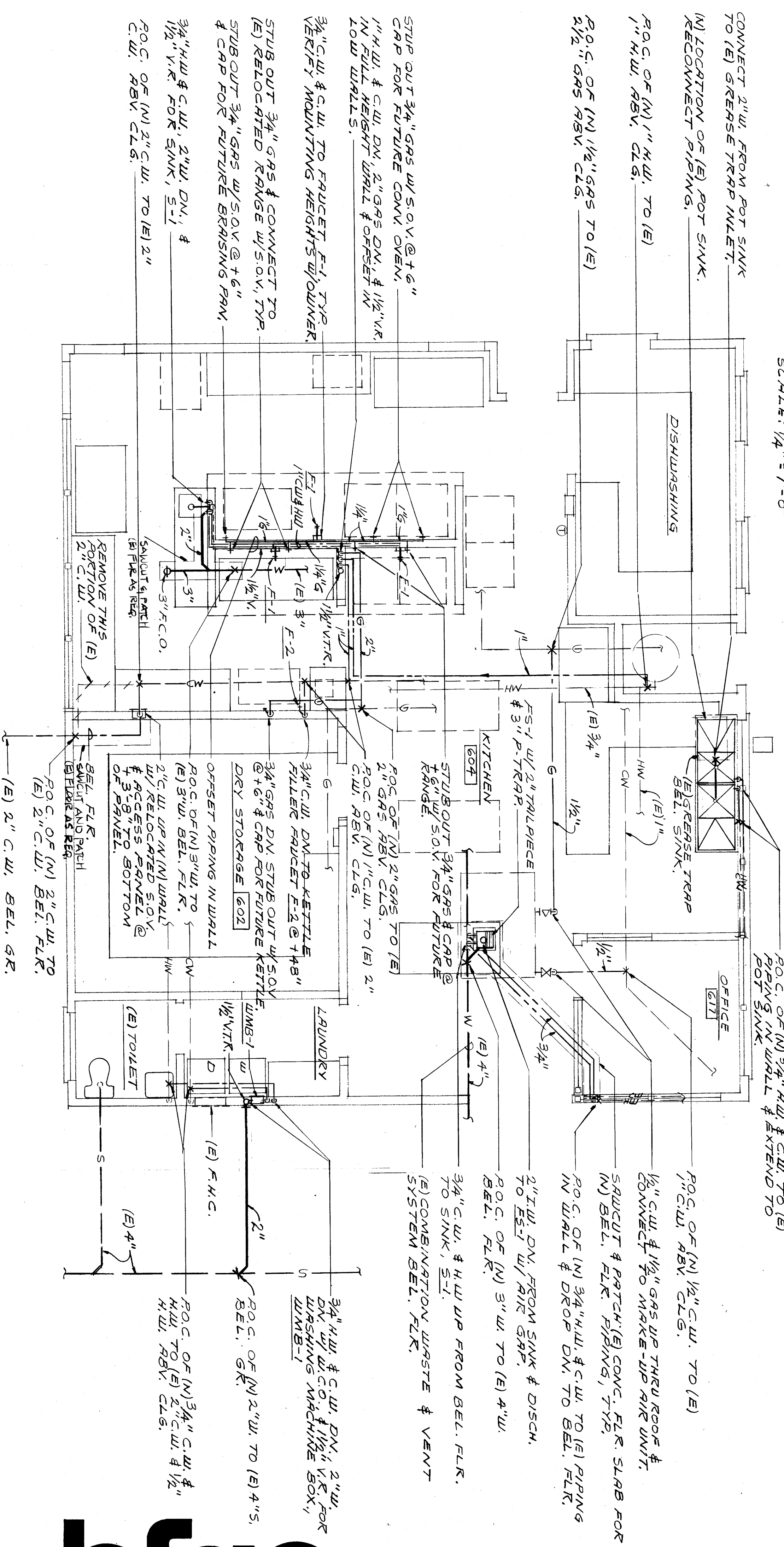
EC-7 MOUNTING DETAIL  
SCALE: NONE



EF-12 MOUNTING DETAIL  
SCALE: NONE



PLUMBING DEMOLITION PLAN  
SCALE: 1/4" = 1'-0"



PLUMBING REMODEL PLAN  
SCALE: 1/4" = 1'-0"

CHICAGO PLUMBING & HEATING  
1417 N. LAUREL ST. CHICAGO, ILL. 60642  
(312) 467-1111

Donald R. Lawrence & Associates  
CONSULTING MECHANICAL ENGINEERS  
1100 W. SUPERIOR ST., SUITE 201  
CHICAGO, ILL. 60606  
(312) 234-8111

bigc inc.  
architects planners  
31 South Hill Road Box 9848  
Beverly Hills, California 90209  
805 832 8122

PLUMBING PLANS AND DETAILS  
**BLAIR LEARNING CENTER  
RECONSTRUCTION**  
900 belle terrace, bakerfield, california

MP-10

DATE: 1/3/87

NO: 85-102

MP-10

