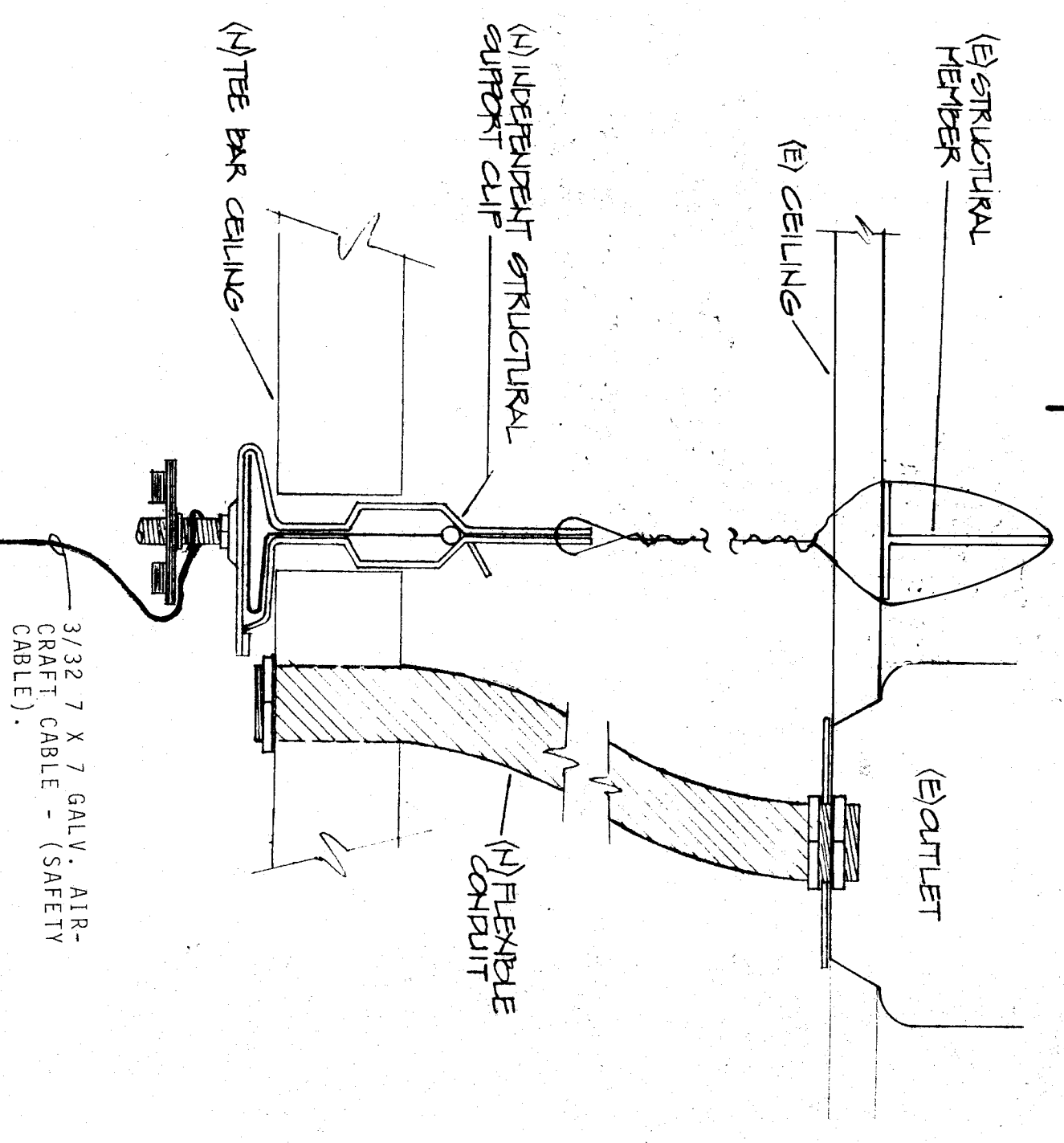


TYP OF ALL 2"x4" FIXTURES THIS BUILDING UNLESS OTHERWISE NOTED

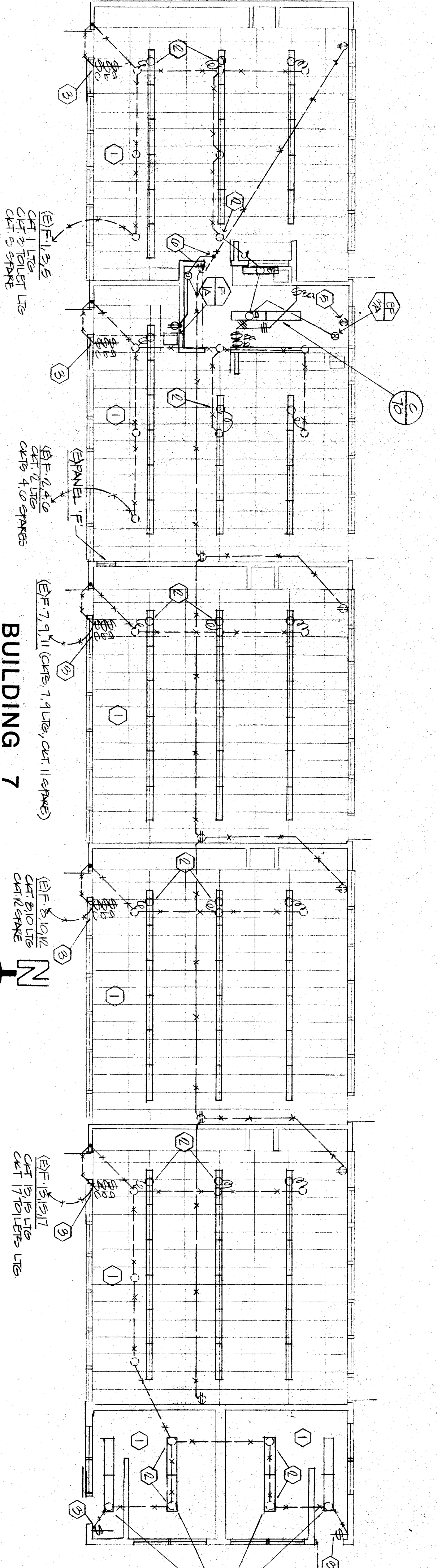
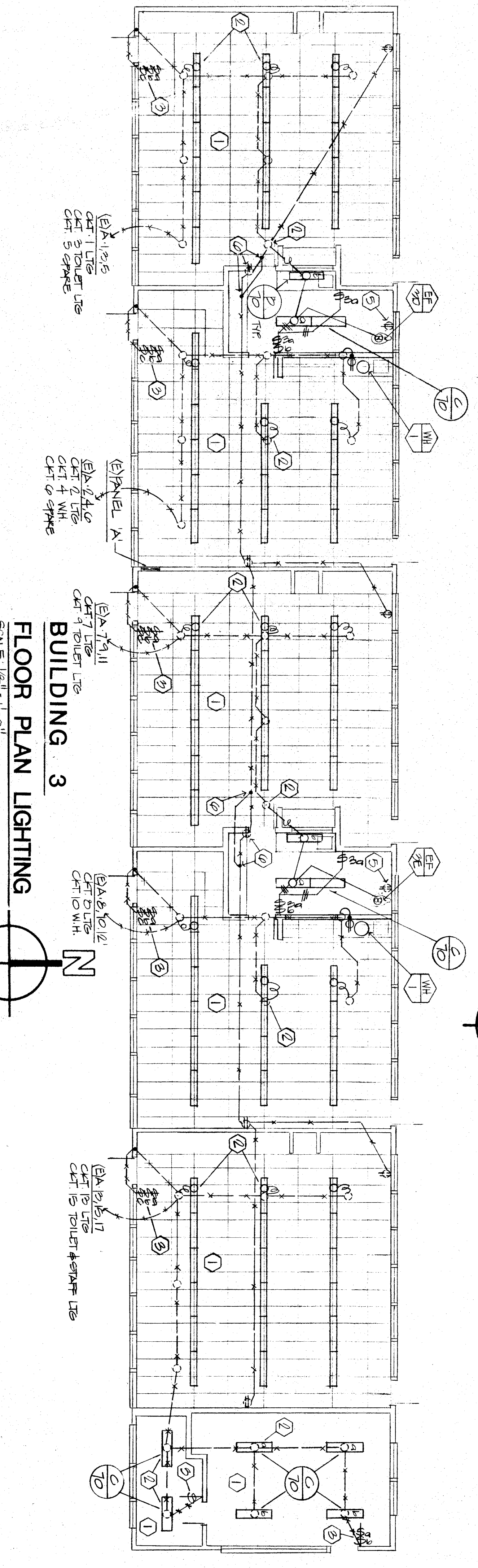
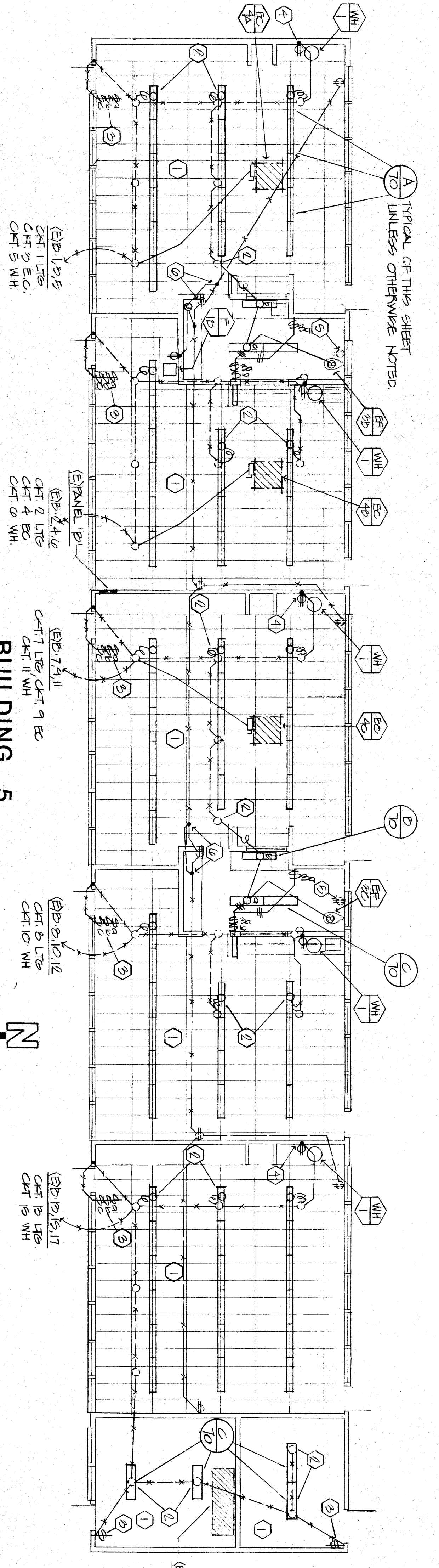
TYPICAL OF THIS SHEET UNLESS OTHERWISE NOTED

TYPICAL OF THIS SHEET UNLESS OTHERWISE NOTED

TYPICAL OF THIS SHEET UNLESS OTHERWISE NOTED



- NOTES:
1. MOUNTING PLATE SHALL BE APPROVED FOR INSTALLATION ON COMBUSTIBLE CEILINGS.
 2. BALL SHALL HAVE LOCK OR PREVENT ROTATION.
- NTG. PLATE FOR 3" OR 4" OUTLET BOXES W/ PROVISION FOR FIXTURE STUD MOUNTING.



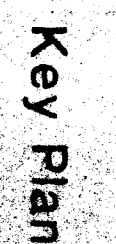
- GENERAL NOTES TYPICAL THIS SHEET:
- 1 EXISTING LIGHT FIXTURES IN THIS ROOM TO BE REMOVED BY ELECTRICAL CONTRACTOR.
 - 2 CONNECT NEW FIXTURES TO EXISTING OUTLET AS SHOWN.
 - 3 INSTALL NEW SWITCHES IN EXISTING SWITCH BOX WHERE SHOWN.
 - 4 CUT AND PATCH WALLS AS REQUIRED FOR CONCEALED ELECTRICAL INSTALLATION.
 - 5 REMOVE EXISTING OUTLET AND COVER WITH BLANK PLATE, EXISTING CONDUIT TO BE ABANDONED.
 - 6 REMOVE EXISTING OUTLET AND EXTEND CONDUIT AS INDICATED AND INSTALL NEW WIRE AS REQUIRED. CUT AND PATCH FLOOR IF NECESSARY.

SUSPENDED FIXTURE "A" MOUNTING DETAIL

FIXTURE LIFT - MAXIMUM 25 LBS

1

Key Plan



C-1128
 C-3389
 C-3182
 C-8804K
DAVID R. GENT
 Biggar Frapwell Ghezzi Cartnal
 3 South Red Road Box 888
 Bakersfield California 93302
 805.833.8232
 © copyright 1987

BLAIR LEARNING CENTER
 RECONSTRUCTION
 900 Belle Terrace, Bakersfield, California

95-102
 3-27-1986