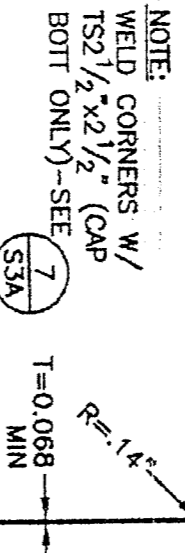
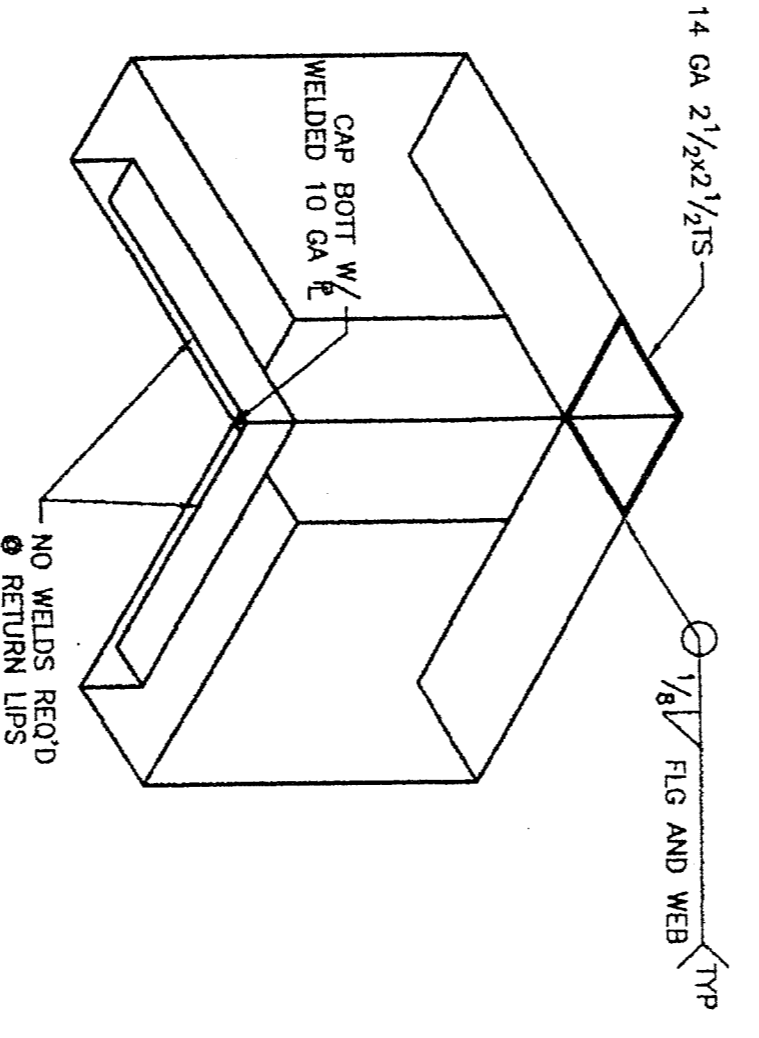


5 DETAIL  
3" = 1'-0"

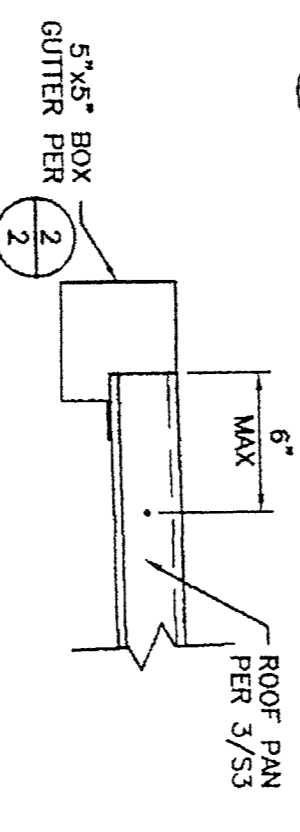
NOTE: 14 GA. STL. FABRICATED FROM ASTM A570 GRADE 36 ROLLED SHEETS W/ RUST INHIBITIVE PRIMER



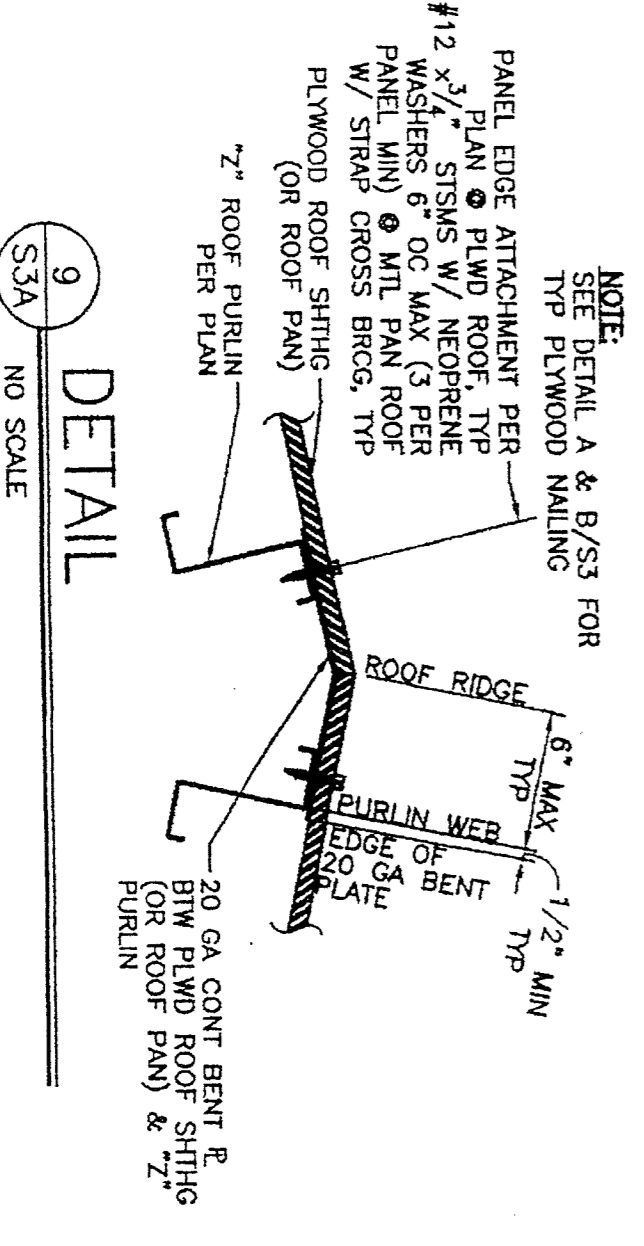
6 DETAIL  
3" = 1'-0"



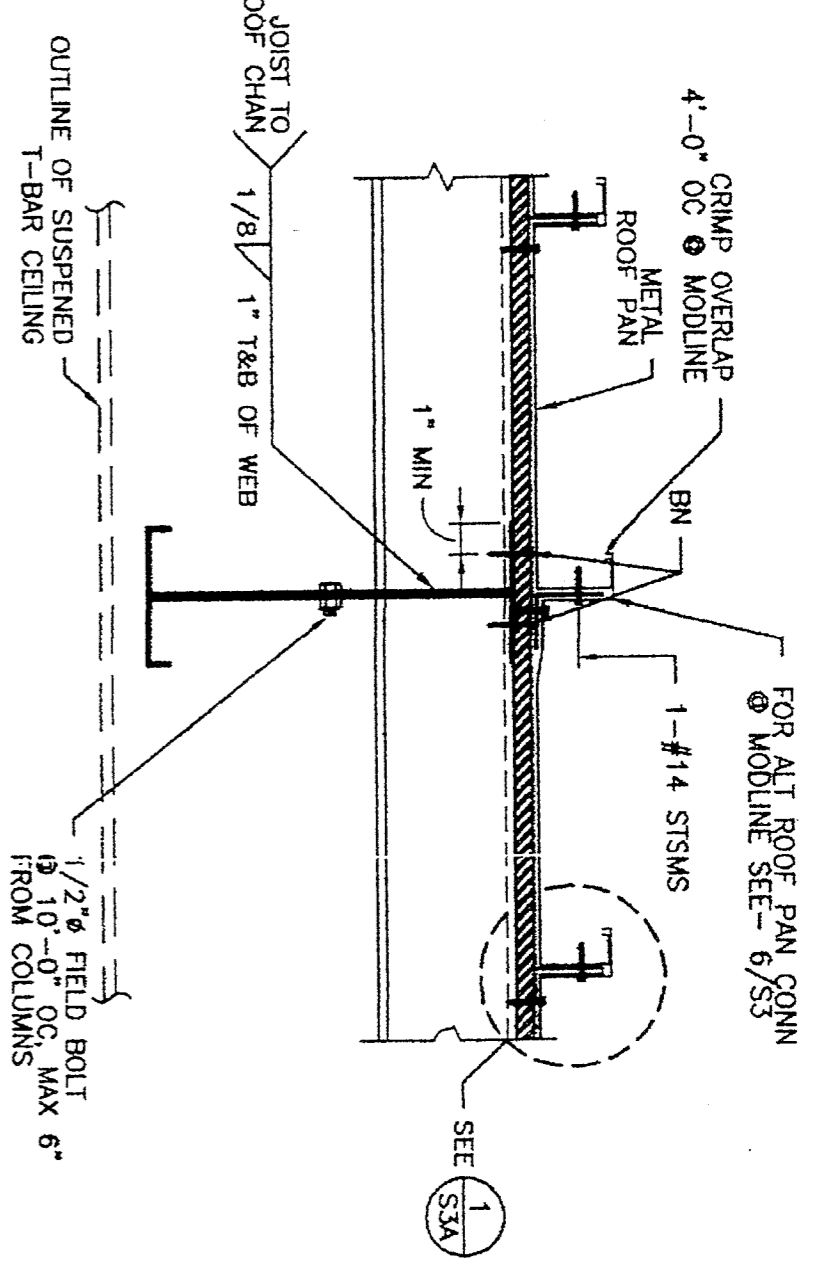
7 DETAIL  
NO SCALE



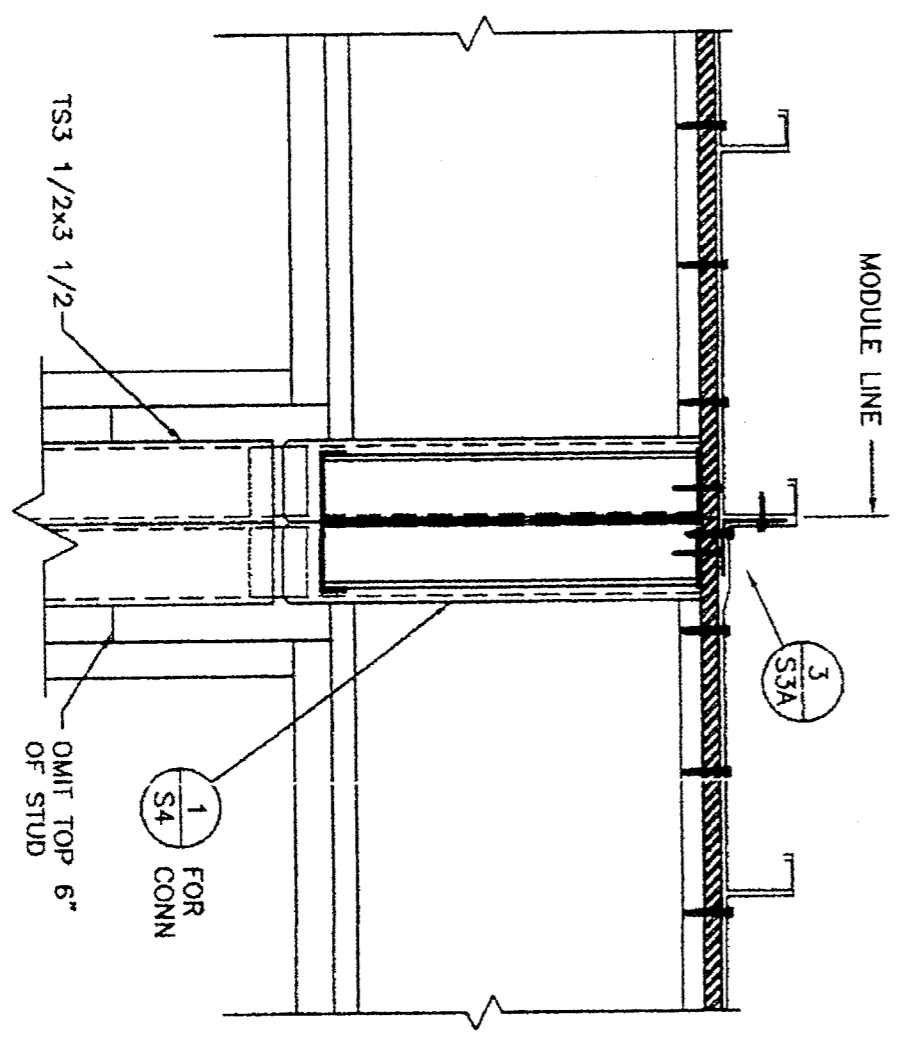
8 DETAIL  
NO SCALE



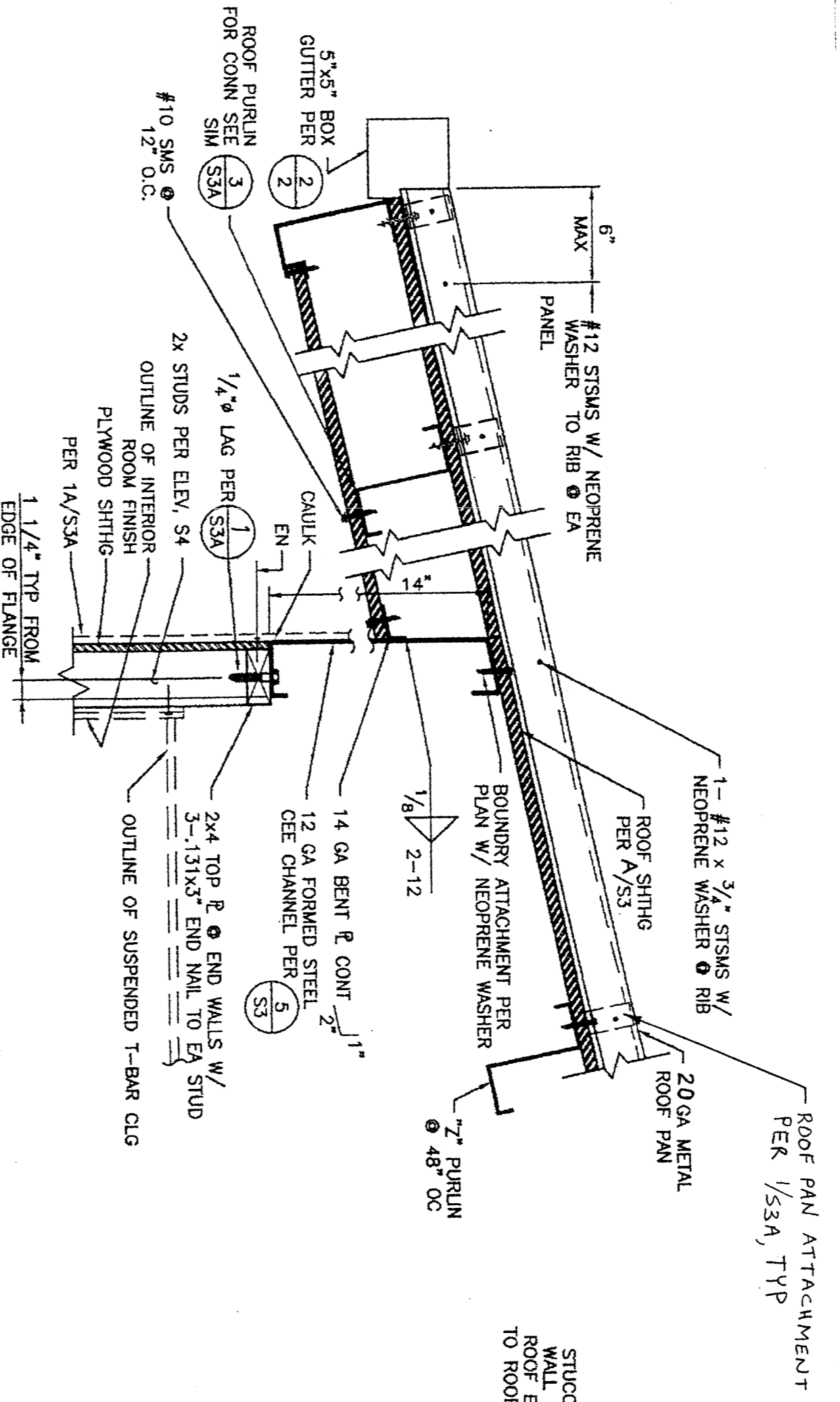
9 DETAIL  
NO SCALE



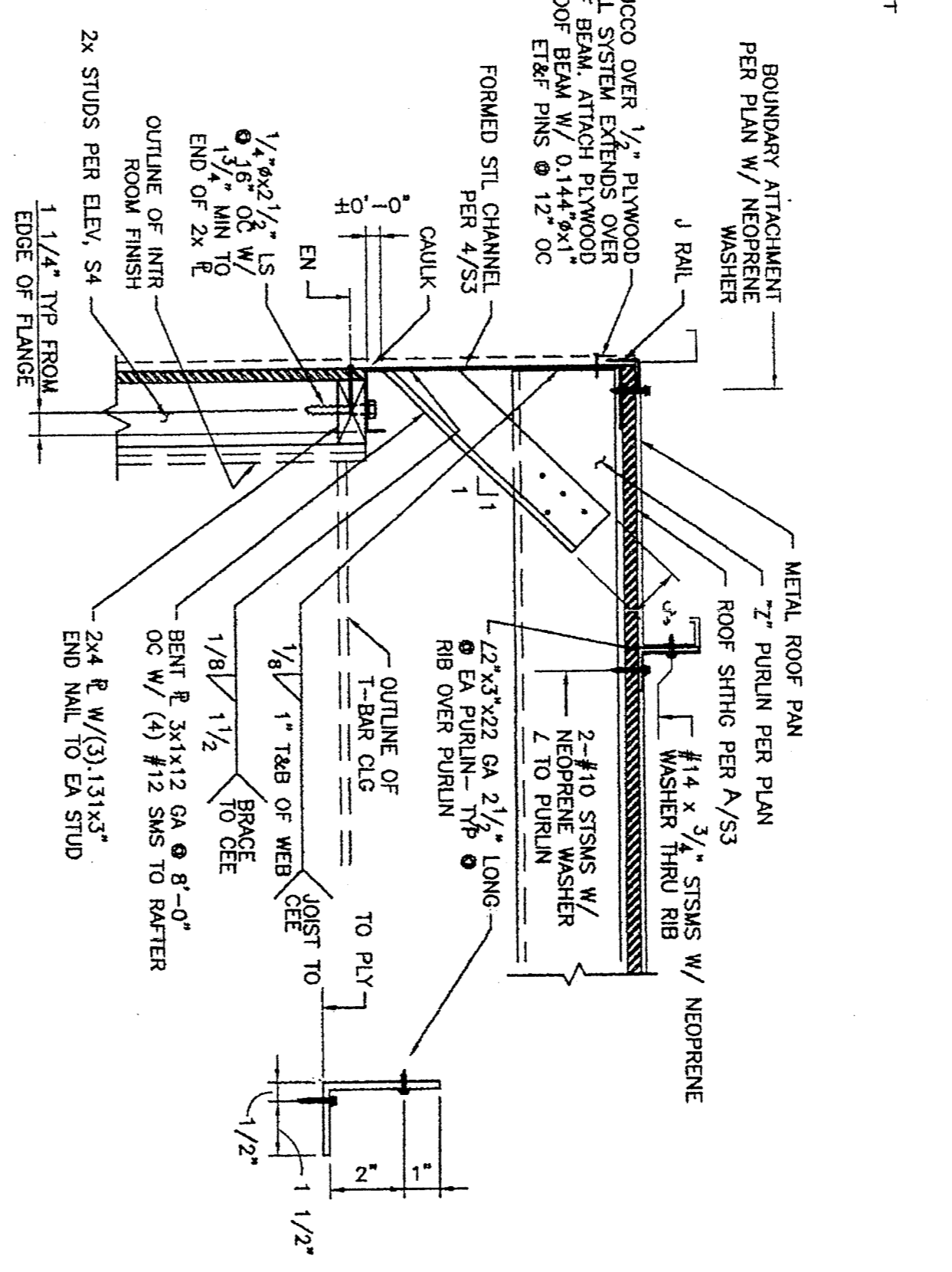
3 DETAIL  
1 1/2" = 1'-0"



4 DETAIL  
1 1/2" = 1'-0"

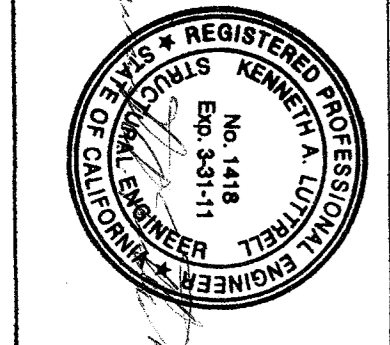
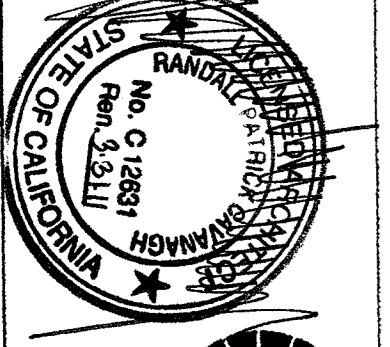


2 DETAIL  
1 1/2" = 1'-0"



1 DETAIL  
1 1/2" = 1'-0"

24'x40' @ BCS/D  
2:12 PITCH ROOF  
EXPOSED STEEL  
RELOCATABLE CLASSROOM



CUSTOMER:

ROOF SECTIONS AND DETAILS

DATE: 6/29/03

DRAWN BY: RLC  
DESIGNED BY: RLC  
CHECKED BY: KAL  
SERIAL NO.

REVISIONS

NO	DATE	DESCRIPTION	NO	DATE	DESCRIPTION

PROJECT NO. 07052

SHEET NO. S3A

IDENTIFICATION STAMP  
DIV OF THE STATE ARCHITECT  
APR03 11 9 8 5  
DATE 3-24-2008