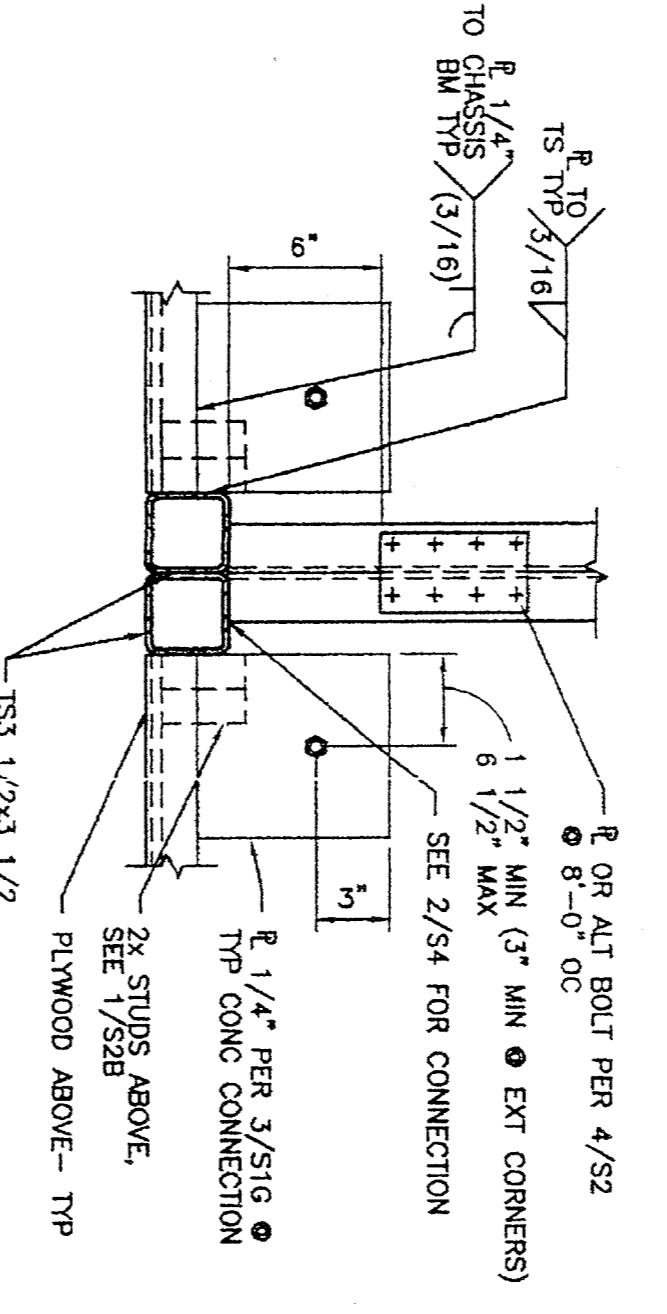
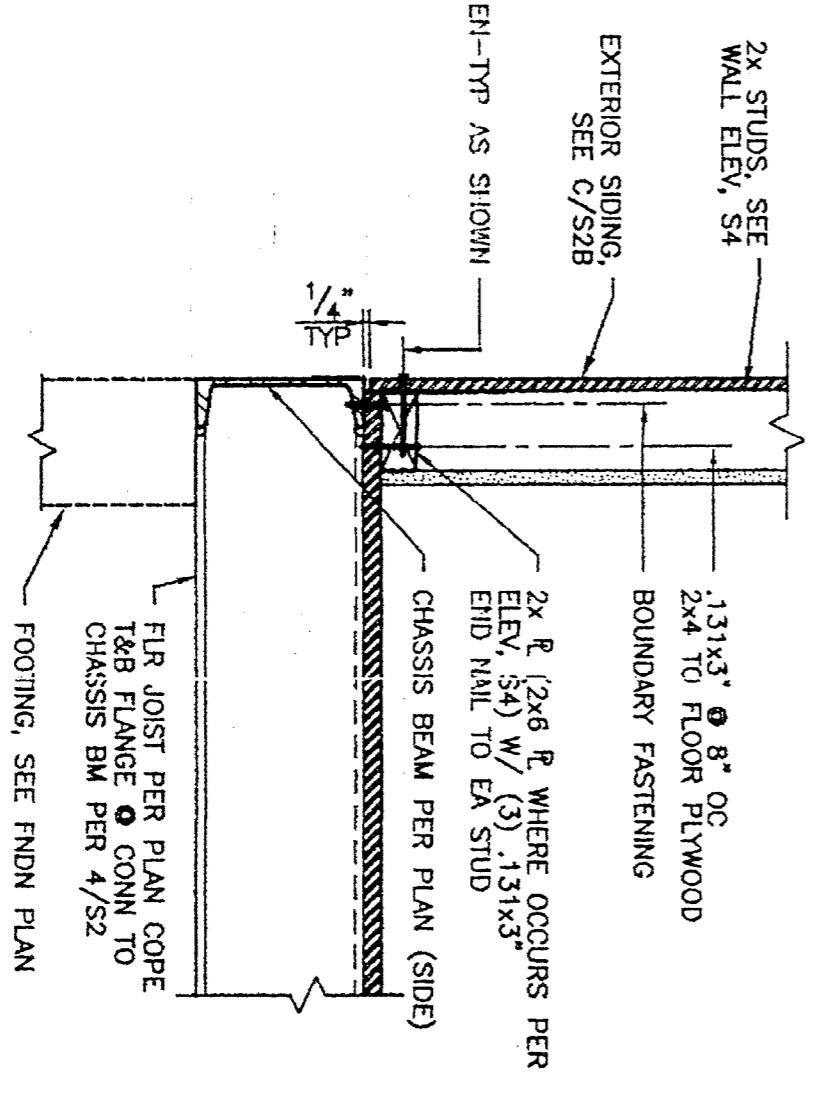


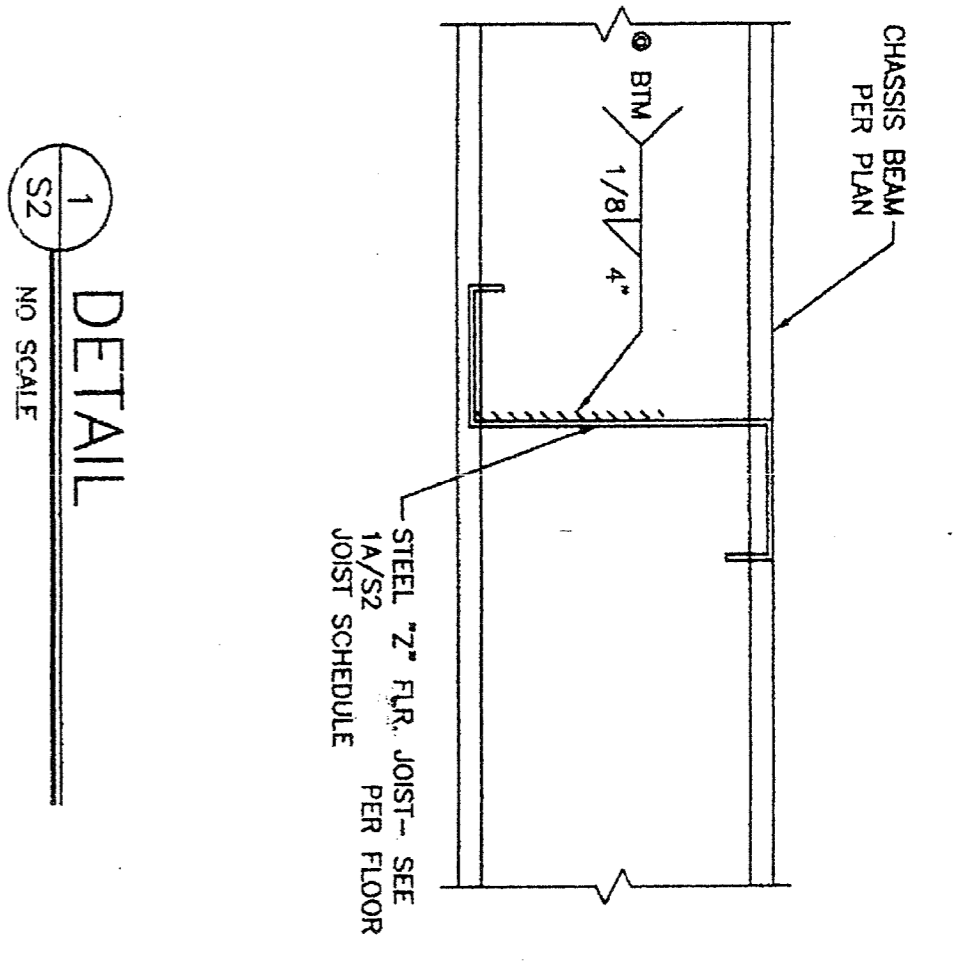
4 DETAIL
1 1/2" = 1'-0"



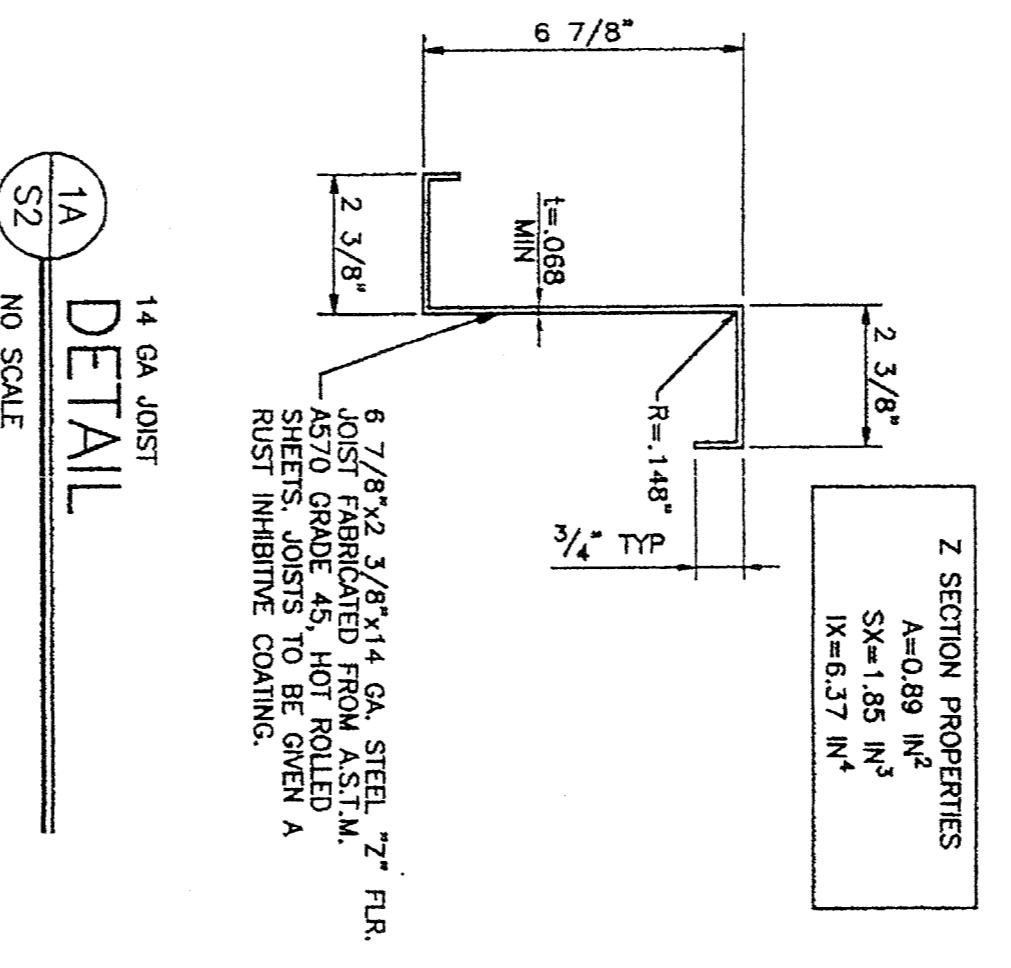
2 PLAN DETAIL
1 1/2" = 1'-0"



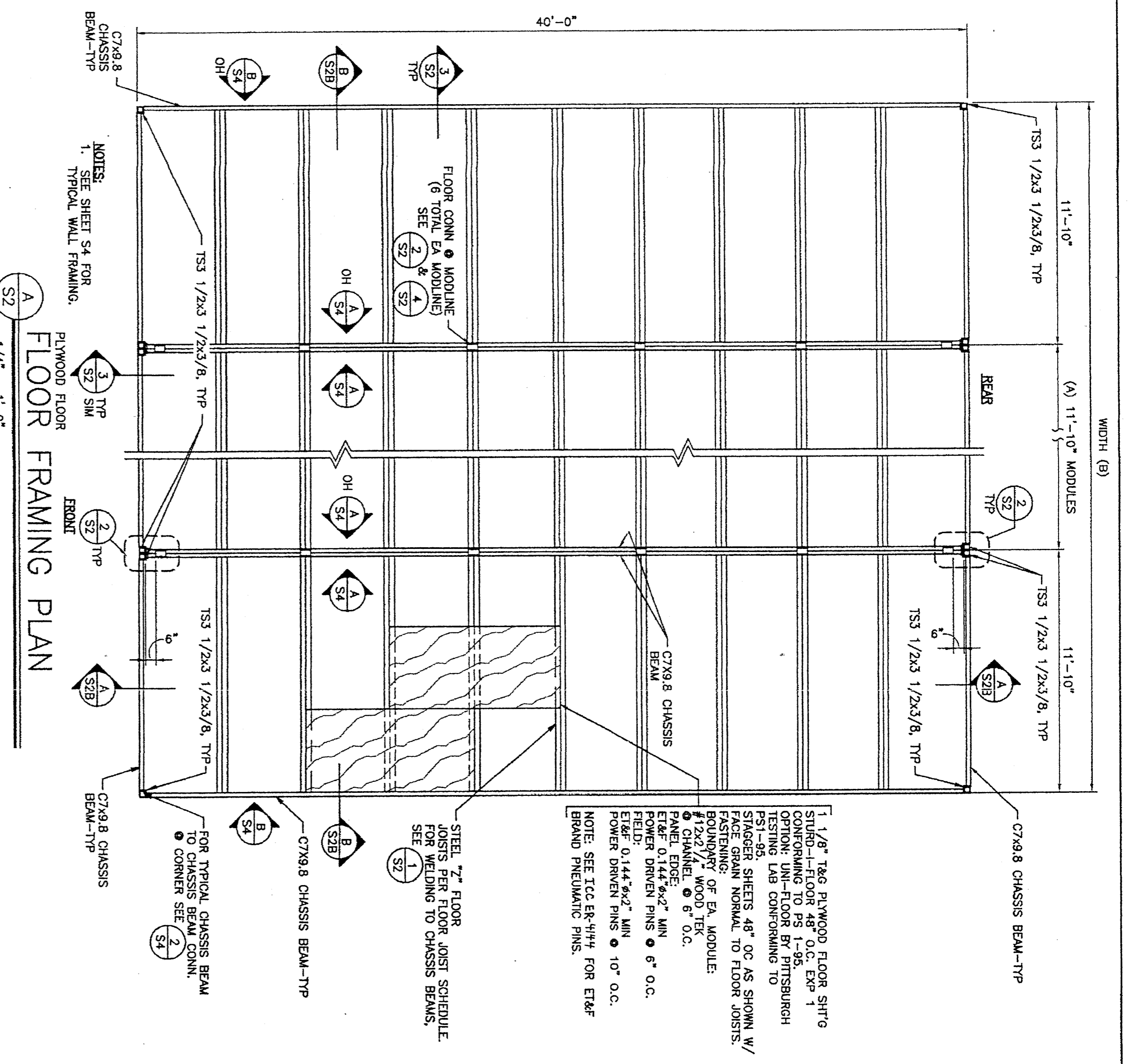
3 DETAIL
1 1/2" = 1'-0"



1 DETAIL
NO SCALE



1A DETAIL
NO SCALE



FLOOR JOIST SCHEDULE

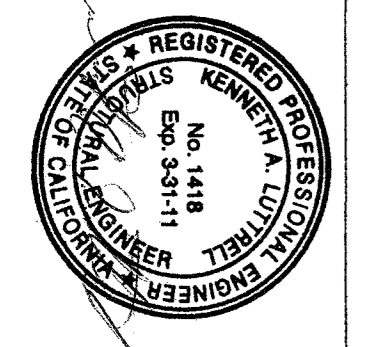
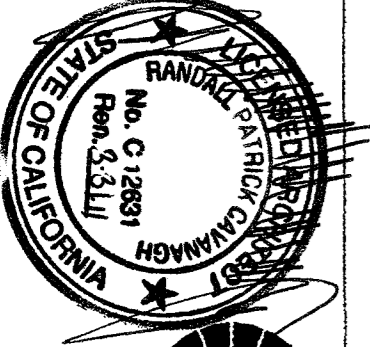
MODULE SCHEDULE

LIVE LOAD	SPACING	BLDG SIZE (FT)	TOTAL # OF CENTER MODULES	TOTAL BLDG WIDTH
50 PSF	14 GA JOIST 48" OC	24x40	2	23'-8"

NO.	DATE	DESCRIPTION	NO.	DATE	DESCRIPTION

IDENTIFICATION STAMP
DIV. OF THE STATE ARCHITECT
APPROX 112885
AC R.S. V.S.S. 6/6
DATE 3-27-2002

24'x40' @ B.C.S.B
2:12 PITCH ROOF
EXPOSED STEEL
RELOCATABLE CLASSROOM



FLOOR FRAMING PLAN & DETAILS
PLYWOOD FLOOR

CUSTOMER: _____

DATE: 6/29/09

SCALE: _____

DRAWN BY: _____

DESIGNED BY: RIG

CHECKED BY: KAL

SERIAL NO. _____

PROJECT No. 09052

SHEET No. S2