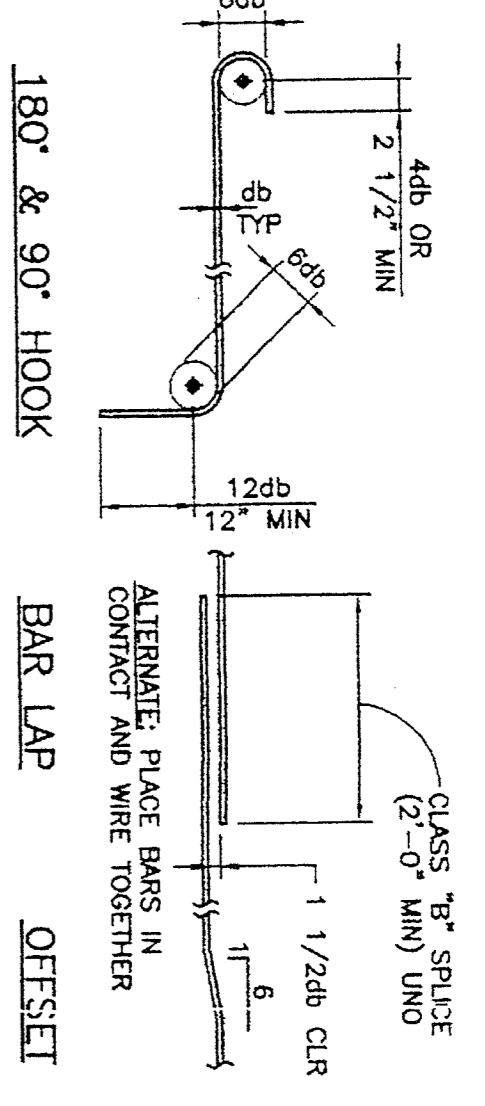


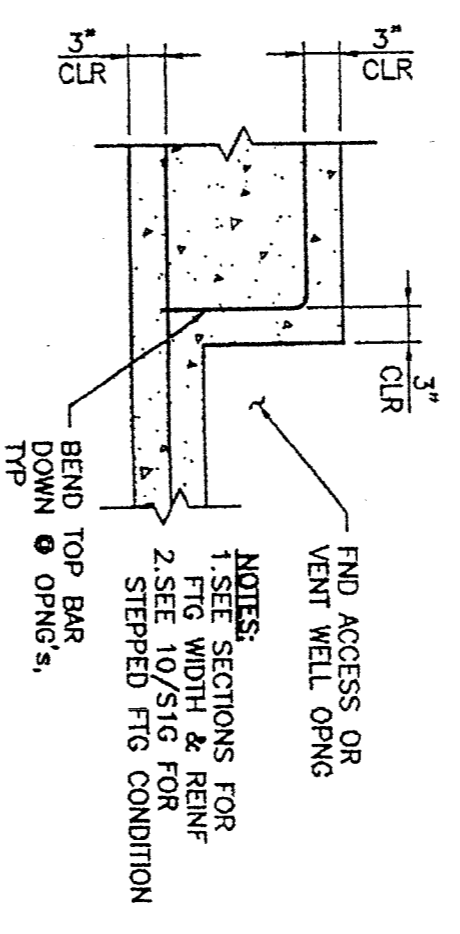
ANCHOR TYPE	HILTI KWIK-KB-TZ ICC ESR-1817	SIMPSON STRONG-BOLT ICC ESR-1771
ANCHOR SIZE (IN)	1/2", 3/4", 1"	3/8", 1/2", 3/4", 1"
MIN. EMBED. (IN)	4", 5 3/4", 7 1/2"	5 1/8", 6 3/4", 8 1/4", 10 1/4"
TENSION TEST LOAD (LBS)	5400, 7549, 7742	4191, 6558, 5528
INSTALLATION TORQUE (FT-LB)	40, 60, 110	50, 85, 180

12 ANCHOR BOLT SCHEDULE
NO SCALE

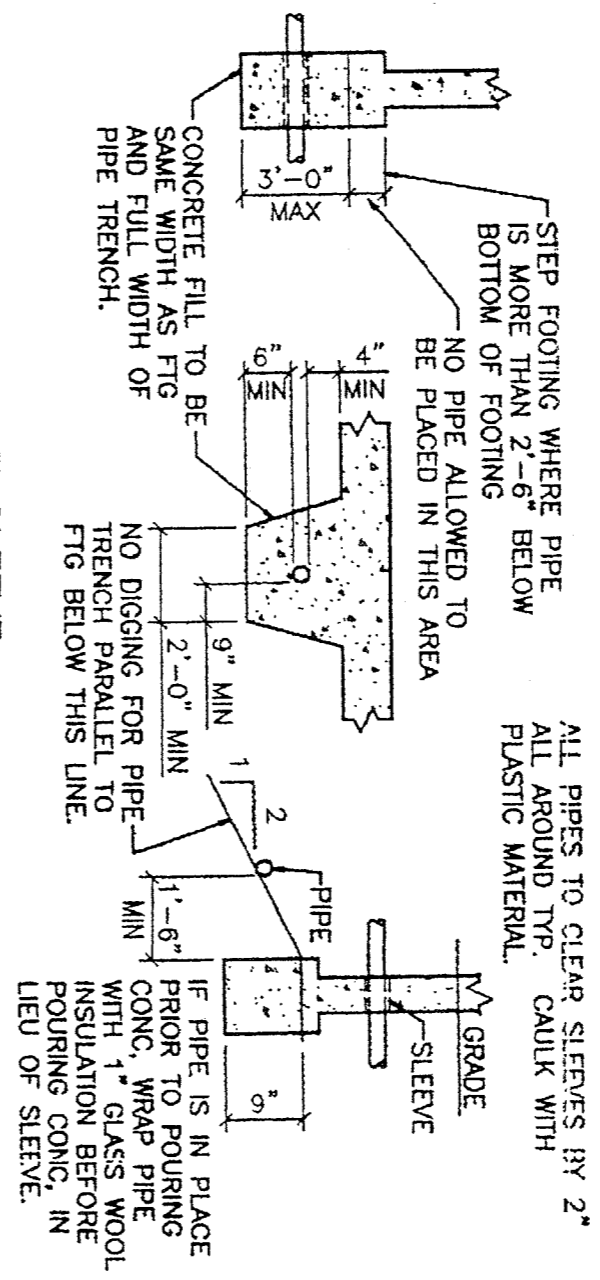
1. TENSION TEST - 2 X ALLOWABLE TENSILE LOAD PER RR 19-1
2. CONCRETE STRENGTH $f'_c = 3,000$ PSI MIN.



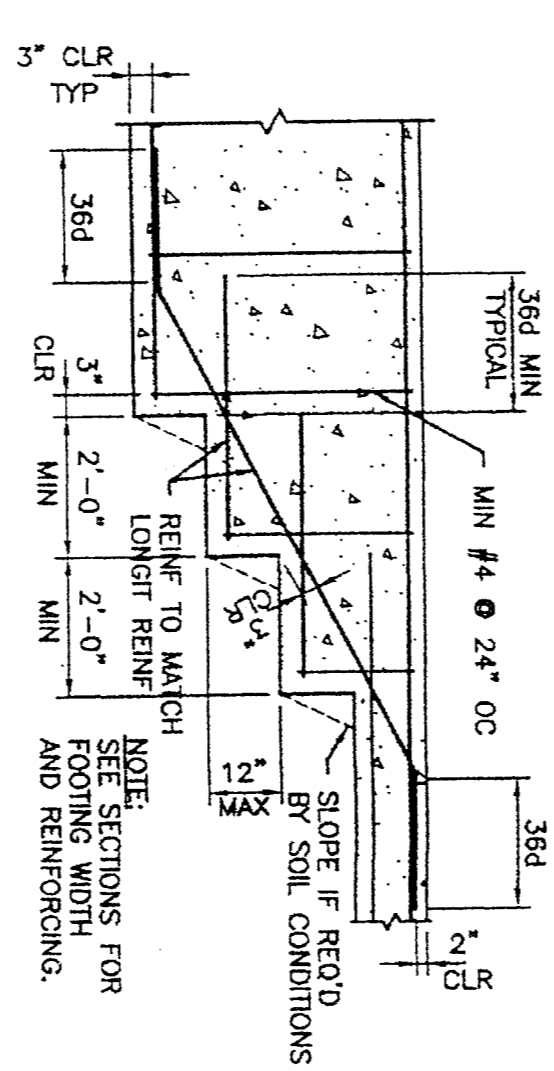
8 TYPICAL REINFORCING BENDS
1" = 1'-0"



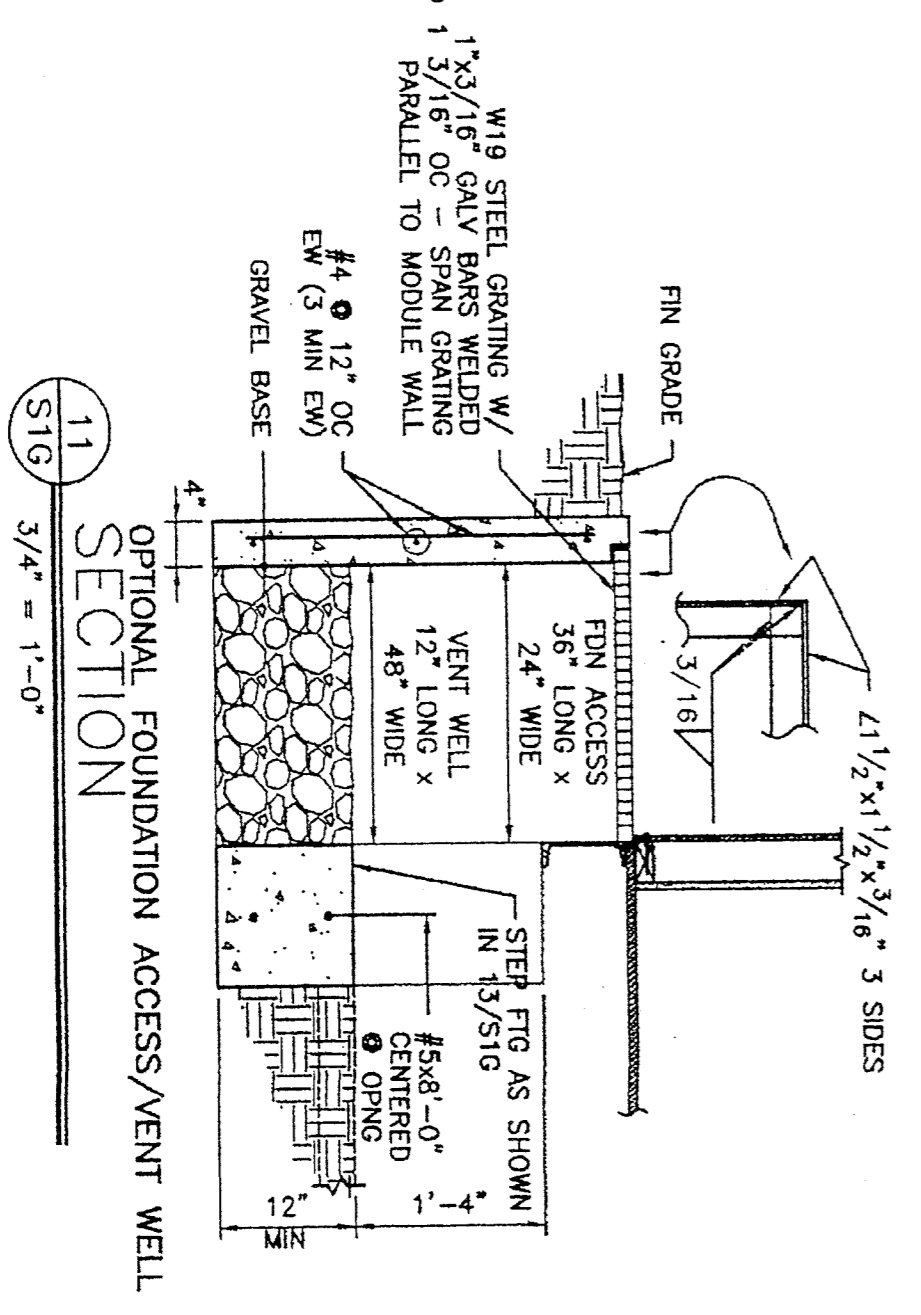
13 DETAIL
3/4" = 1'-0"



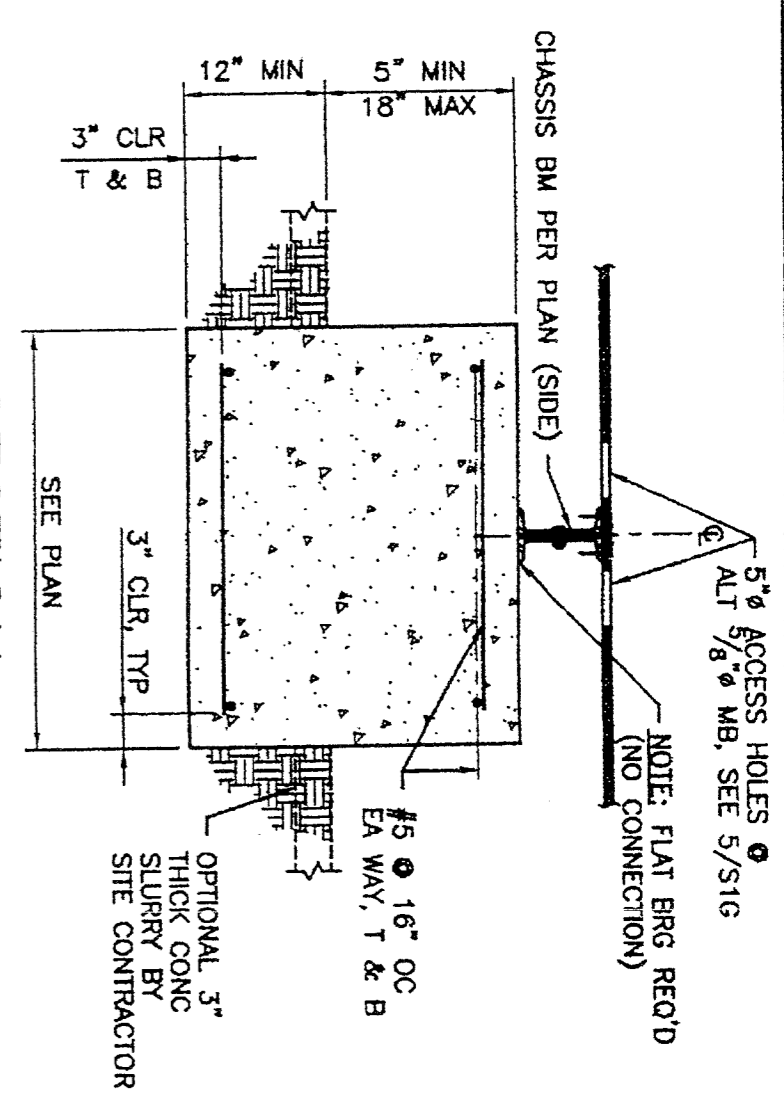
9 PIPE SLEEVE DETAIL
1/2" = 1'-0"



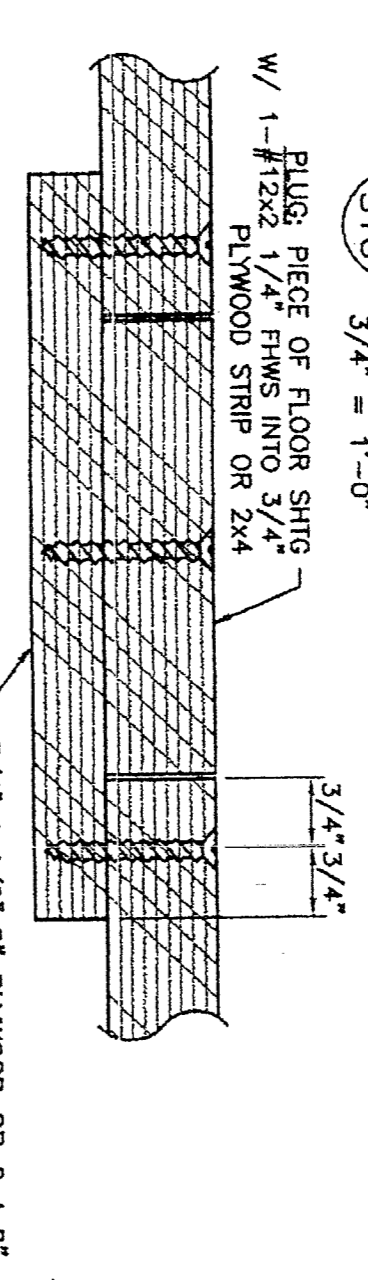
10 TYP STEPPED FOOTING
3/8" = 1'-0"



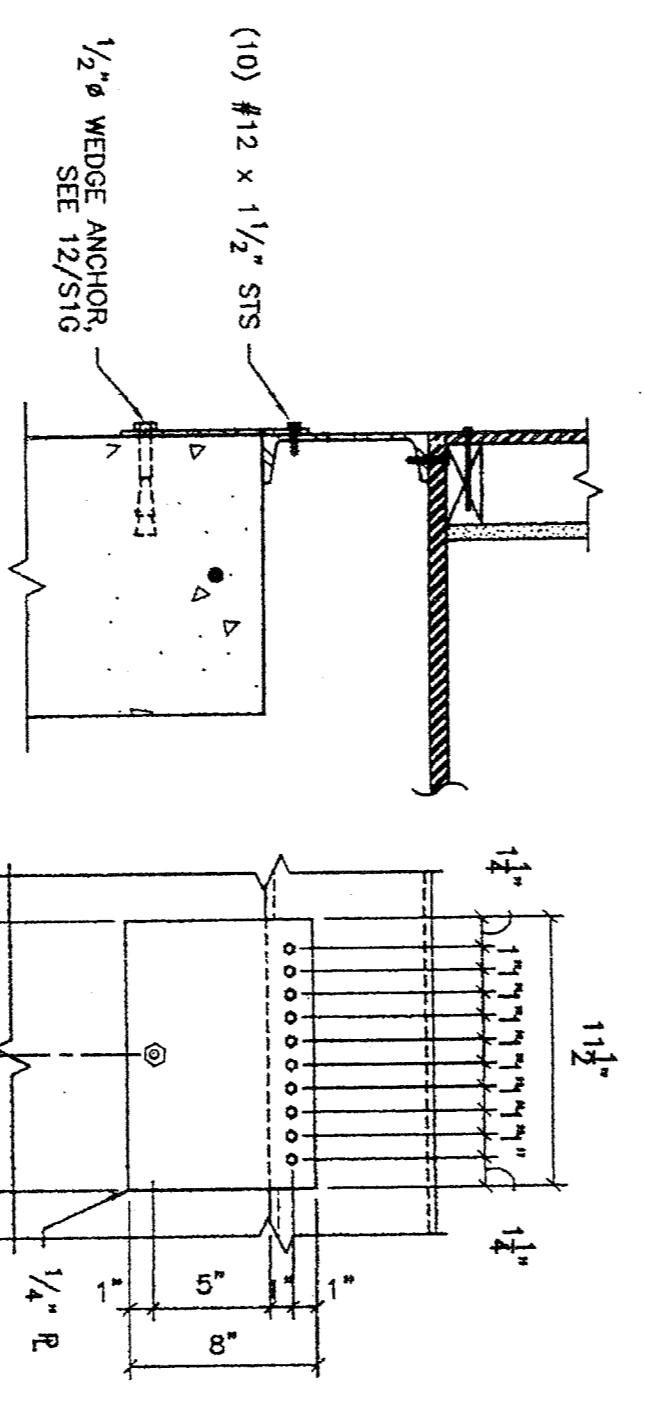
11 OPTIONAL FOUNDATION ACCESS/VENT WELL
3/4" = 1'-0"



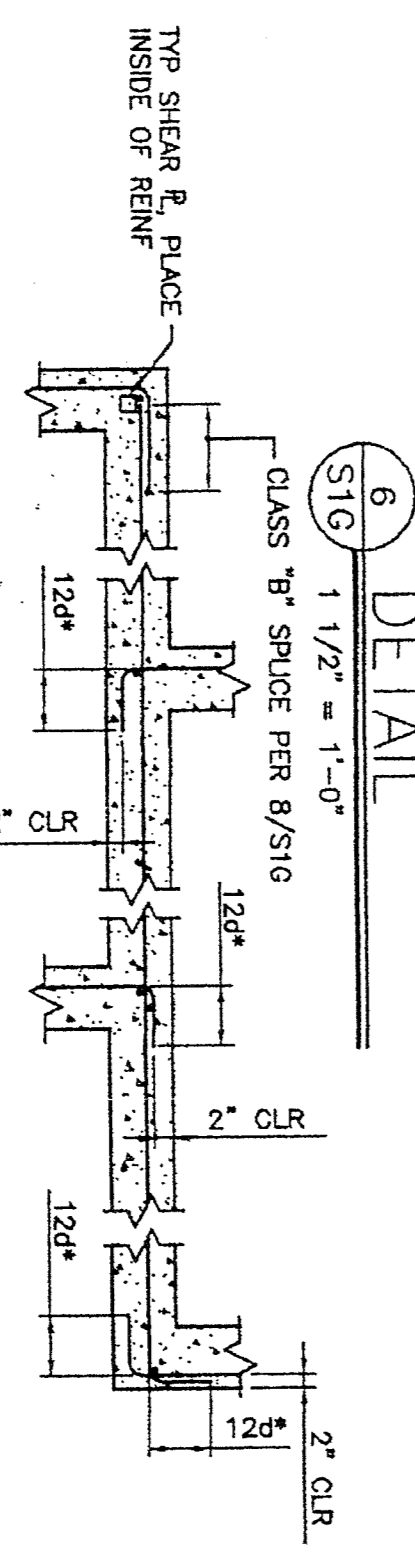
4 SECTION
3/4" = 1'-0"



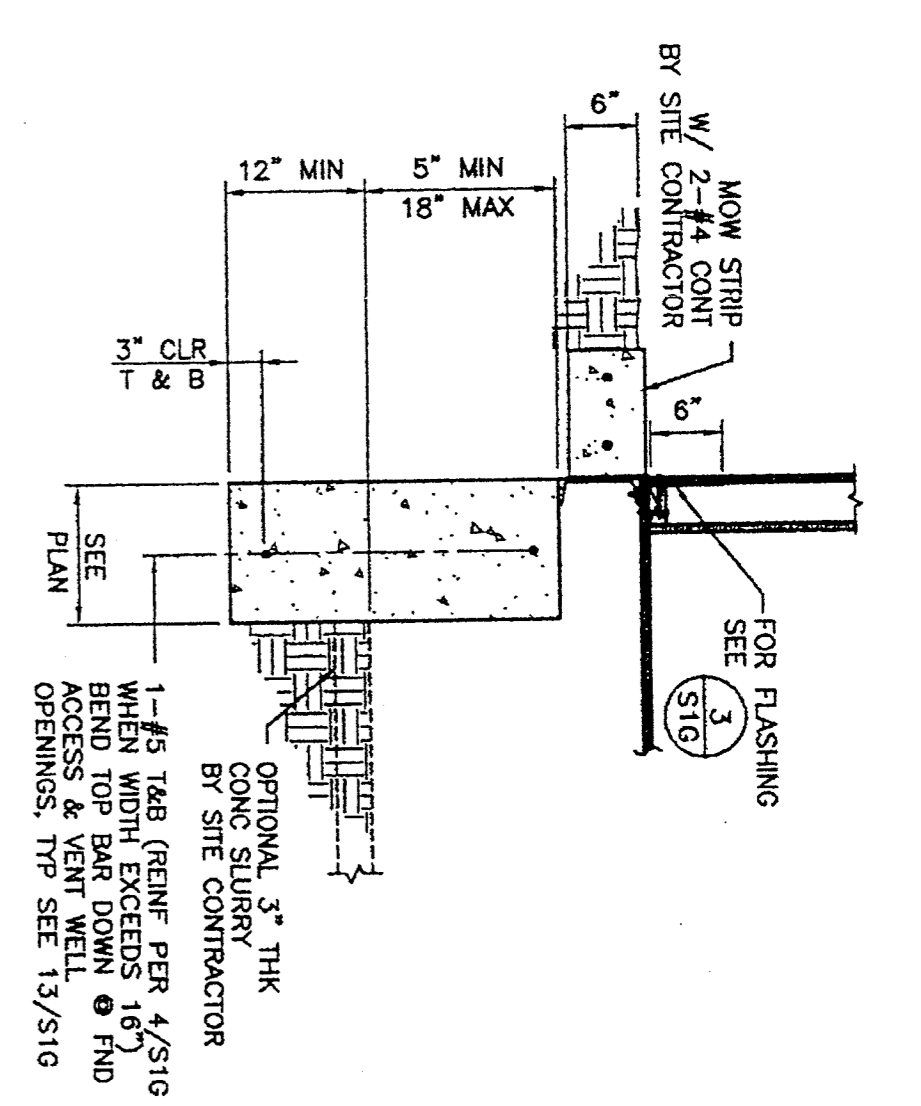
5 FILLER ACCESS HOLE DETAIL
NO SCALE



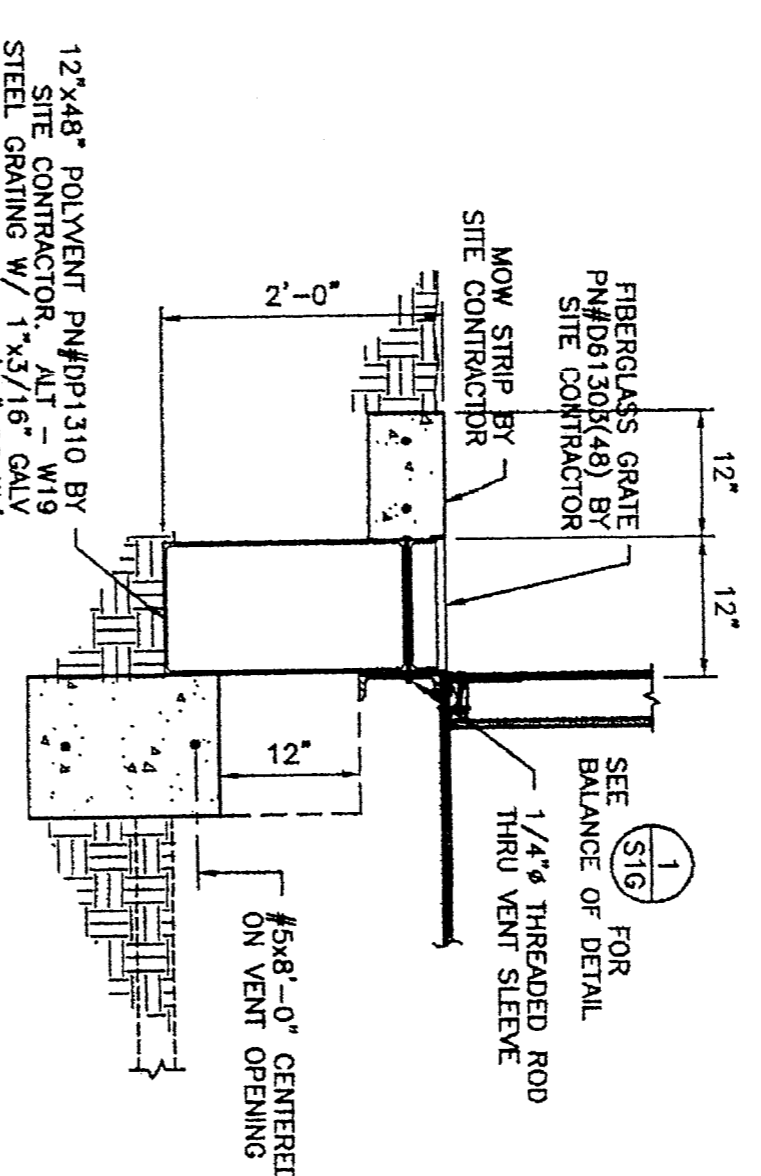
6 ALTERNATE SHEAR PLATE DETAIL
1 1/2" = 1'-0"



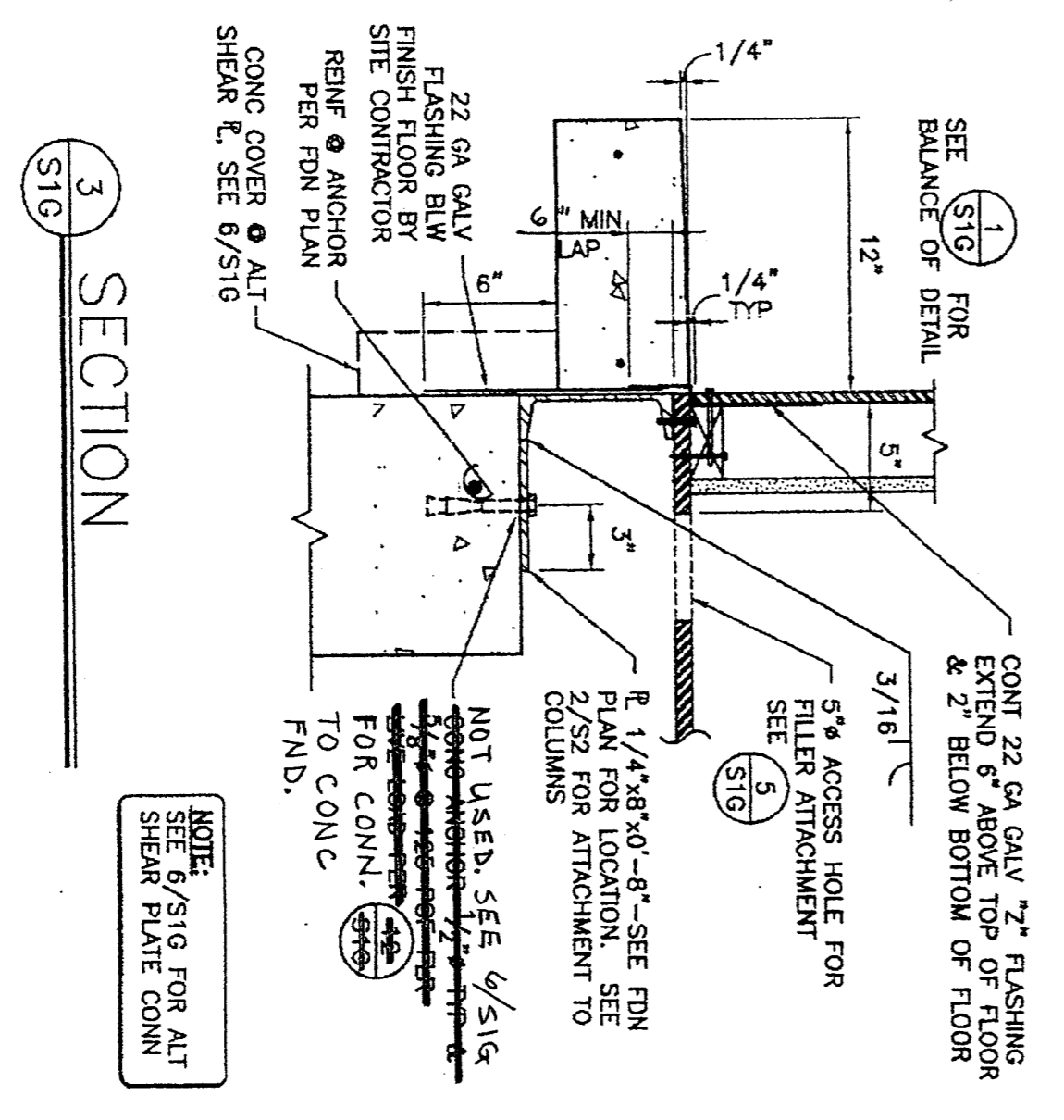
7 TYP WALL & FTG REINF SPICES DETAIL
NO SCALE



1 SECTION
3/4" = 1'-0"

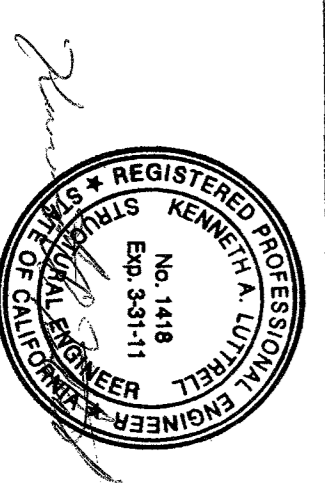
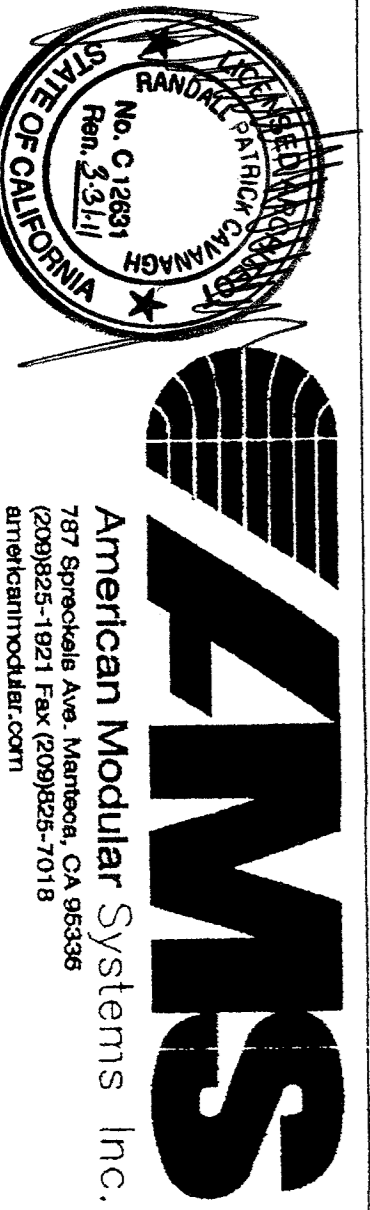


2 SECTION
3/4" = 1'-0"



3 SECTION
NO SCALE

24'x40' @ BCSD
2:12 PITCH ROOF
EXPOSED STEEL
RELOCATABLE CLASSROOM



CUSTOMER: _____
CONCRETE FOUNDATION DETAILS

DATE: 6/29/09
SCALE: _____
DRAWN BY: RLG
CHECKED BY: KAL
SERIAL NO. _____

NO	DATE	DESCRIPTION	NO	DATE	DESCRIPTION

PROJECT NO: 09052
SHEET NO: S1G

IDENTIFICATION STAMP
DIV OF THE STATE ARCHITECT
APR 03 11 28 8 5
AC FLS SS
DATE 3-24-2010