

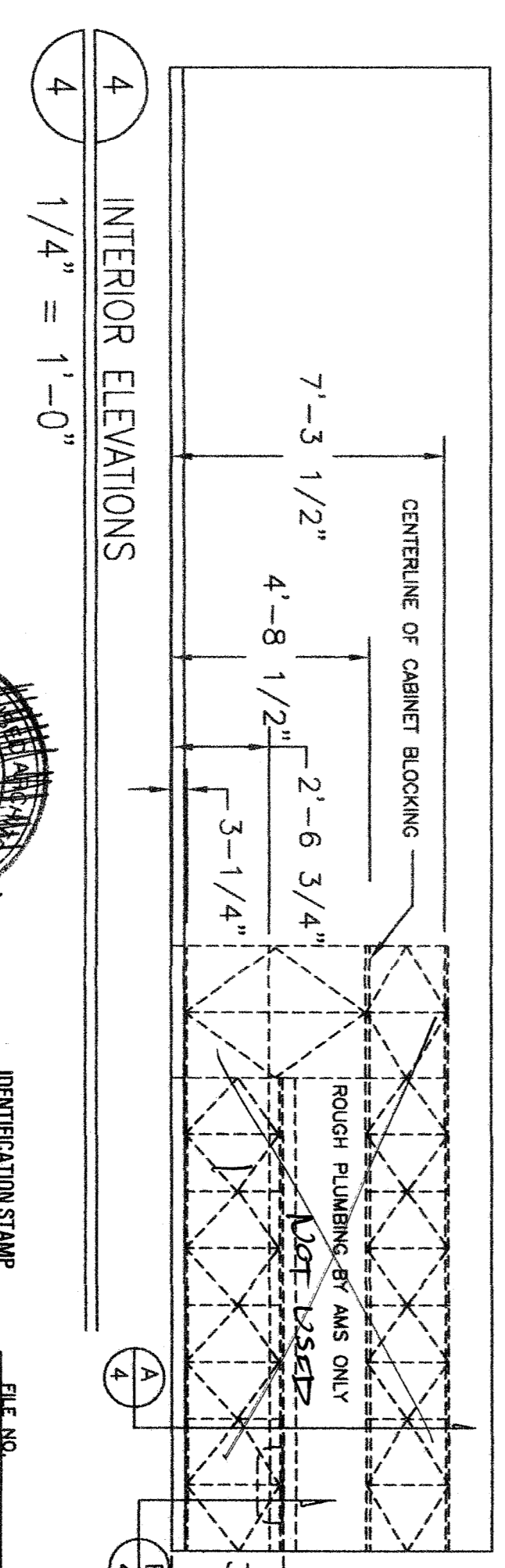
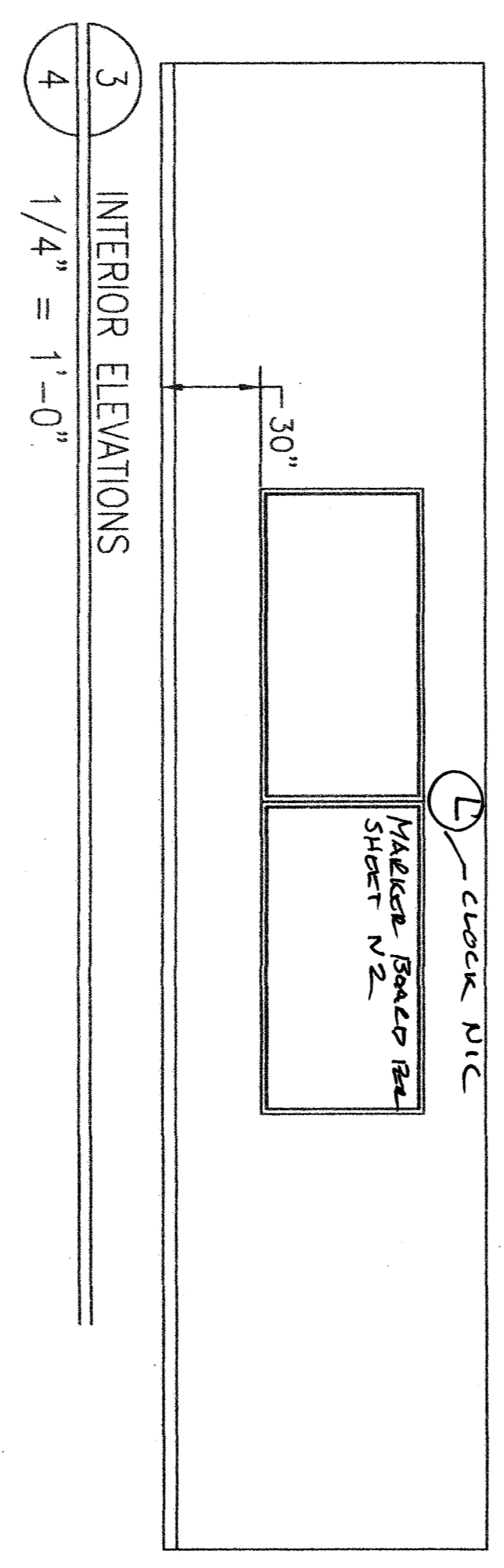
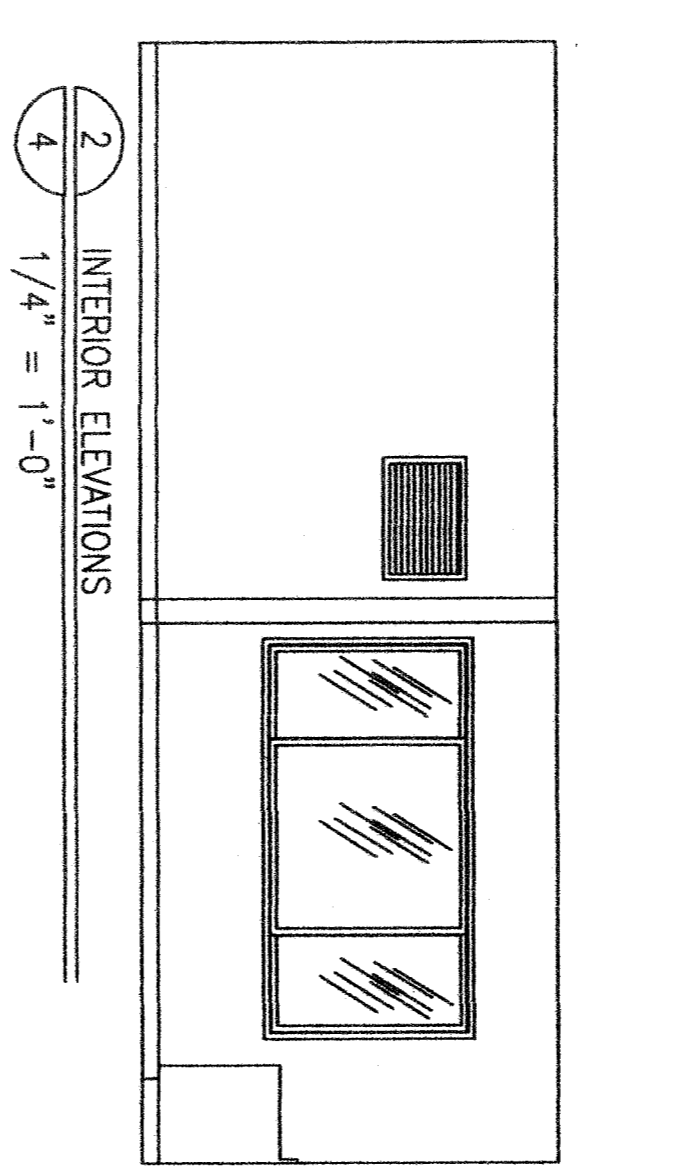
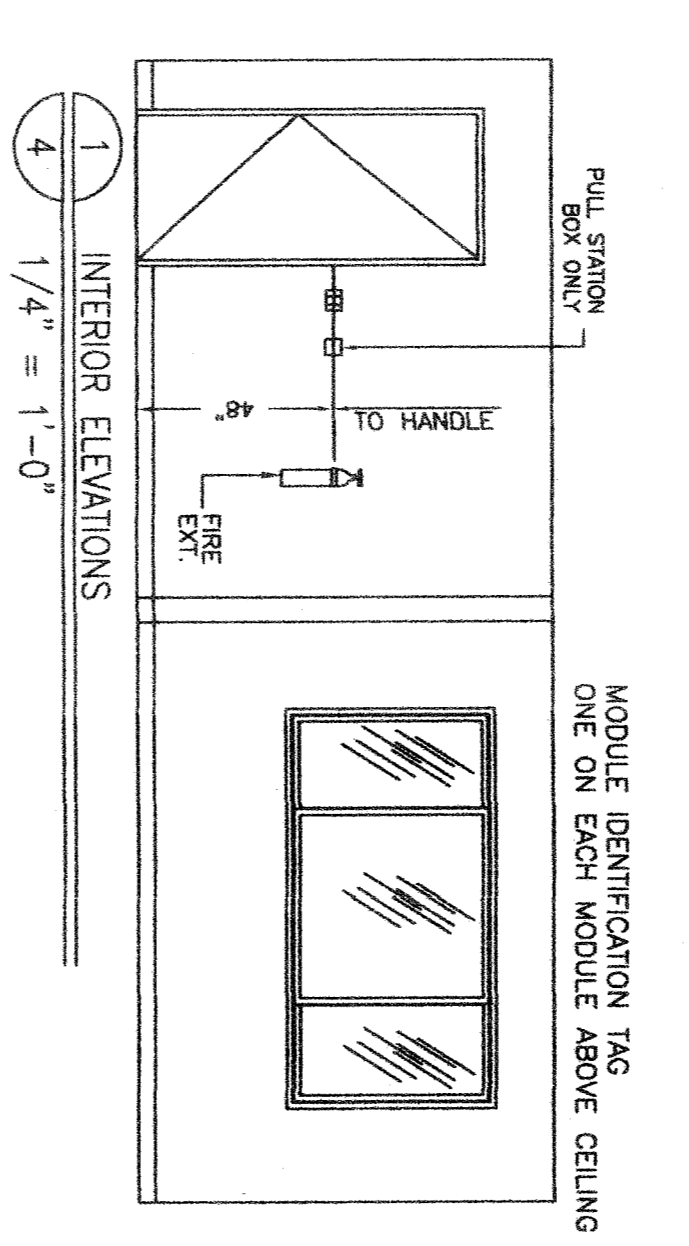
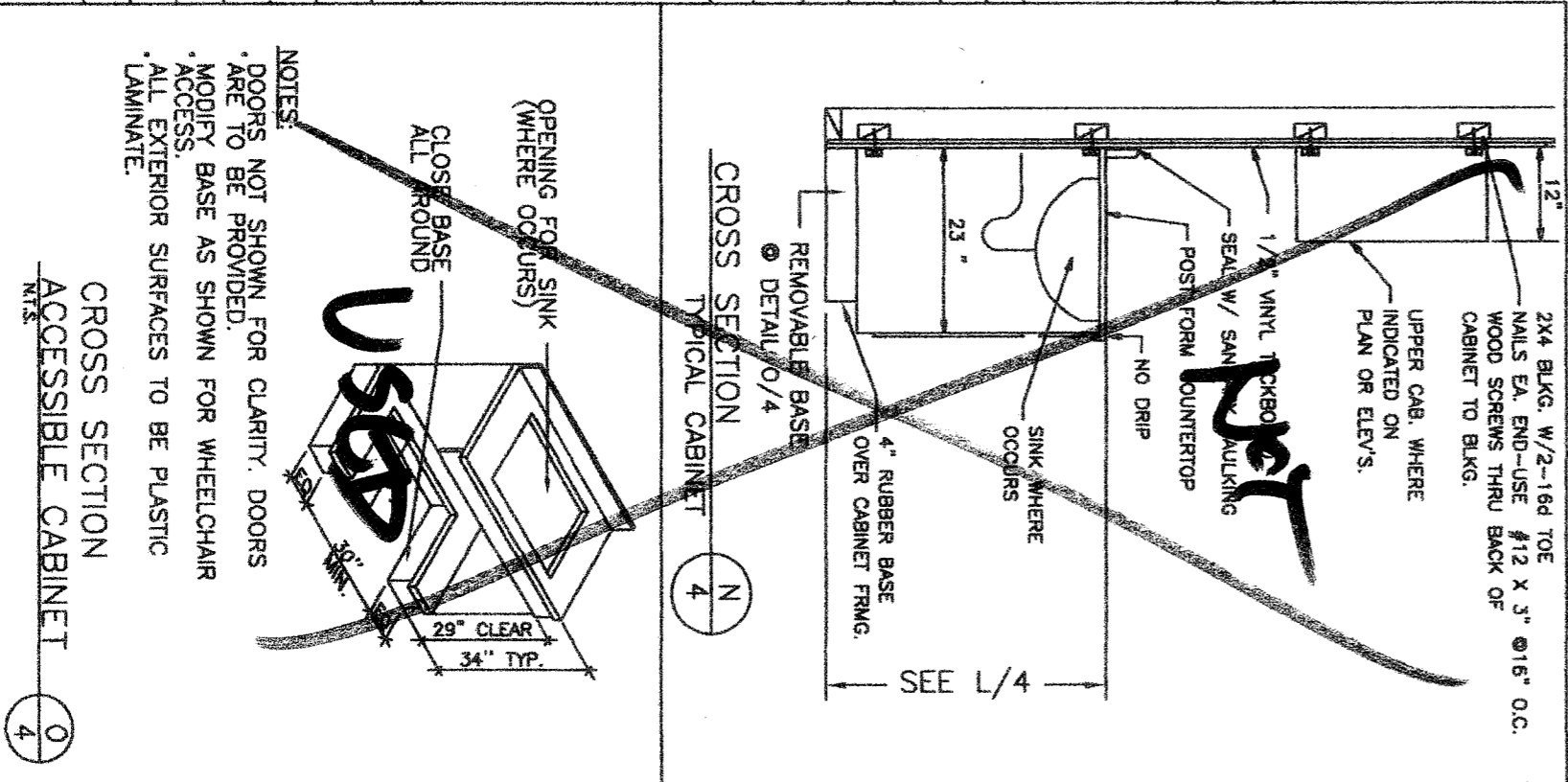
PER DB6.1178.5.1.2
TACTILE SIGNAGE
SCALE: 1/4" = 1'-0"

ROOM FINISHES SCHEDULE

ROOM NUMBER	ROOM NAME	FINISHES					REMARKS	
		FLOOR	BASE	FRONT	REAR	RIGHT		
1	CLASSROOM	A	D	F	F	F	J	8'-0"

DOOR SCHEDULE SEE SHIT. 1 FOR LOCATION

DOOR NO.	FRAME OPENING SIZE	MATERIAL	TYPE	FIRE RATING	HARDWARE SET NO.	QUANTITY	FRAMES				NOTE NO.
							HEAD DETAIL	JAMB DETAIL	SILL DETAIL	JAMB THROAT	
1	3'-0" x 7'-0"	H.M.	N/A	A	1	H.M.	6/1	6/1	4/1	5/1	



CUSTOMER:
BAKERSFIELD CITY SCHOOL DISTRICT

INTERIOR ELEVATIONS AND OPTIONS

DATE: 04/21/08
SCALE: NONE
DRAWN BY: RS
CHECKED BY:
SERIAL NO.

NO. DATE DESCRIPTION NO. DATE DESCRIPTION

IDENTIFICATION STAMP
DIV. OF THE STATE ARCHITECT
APPROX 112885
ACM/RS/CS/SS/BC
DATE 3-24-2008

FILE NO.
DIV. OF THE STATE ARCHITECT
OFFICE OF RESOLUTION SERVICES
AC: _____ FILE: _____ DATE: _____



24 X 40 (HP ES)
RELOCATABLE
CLASSROOMS

PROJECT No. _____
SHEET No. 4