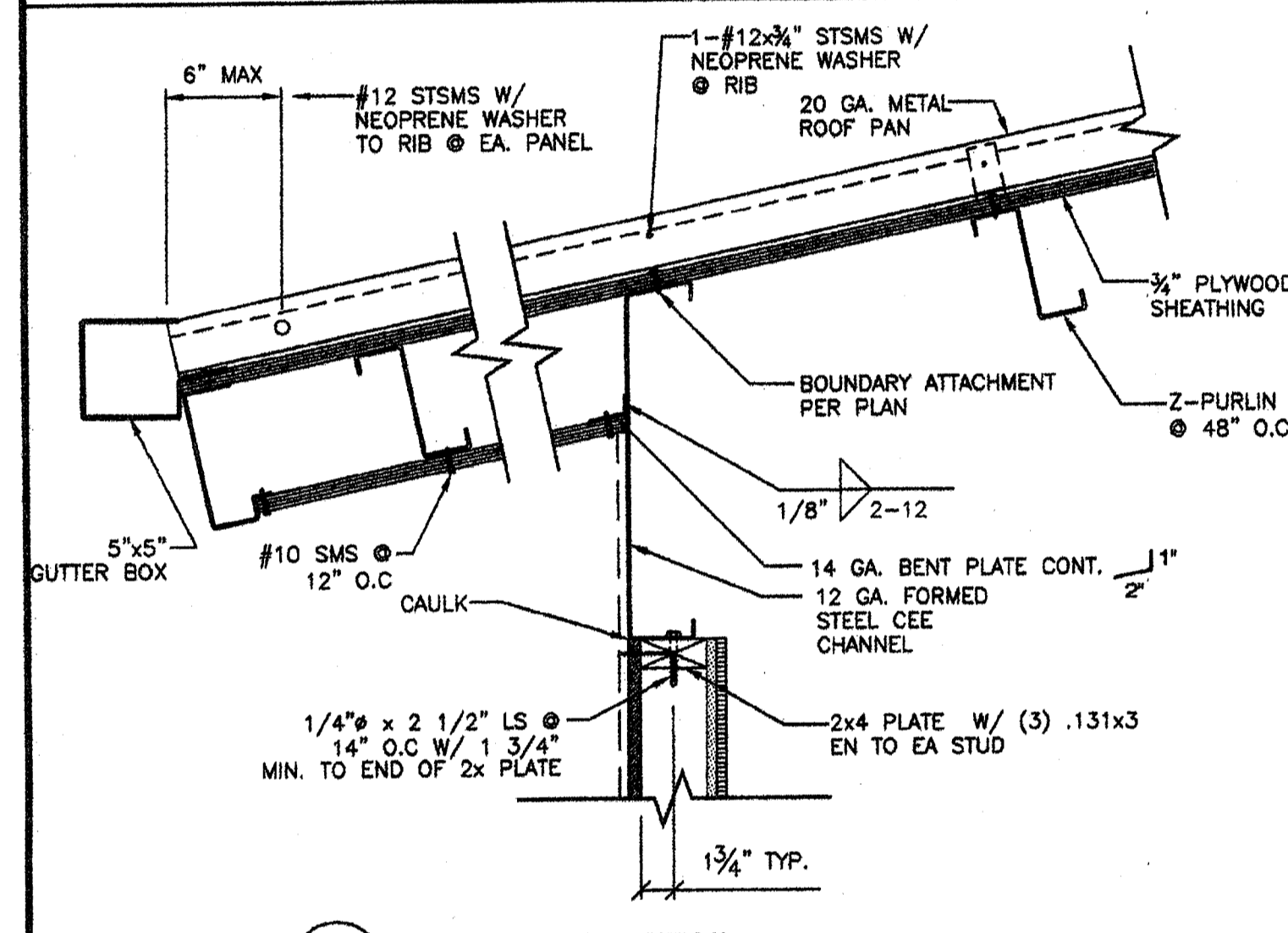
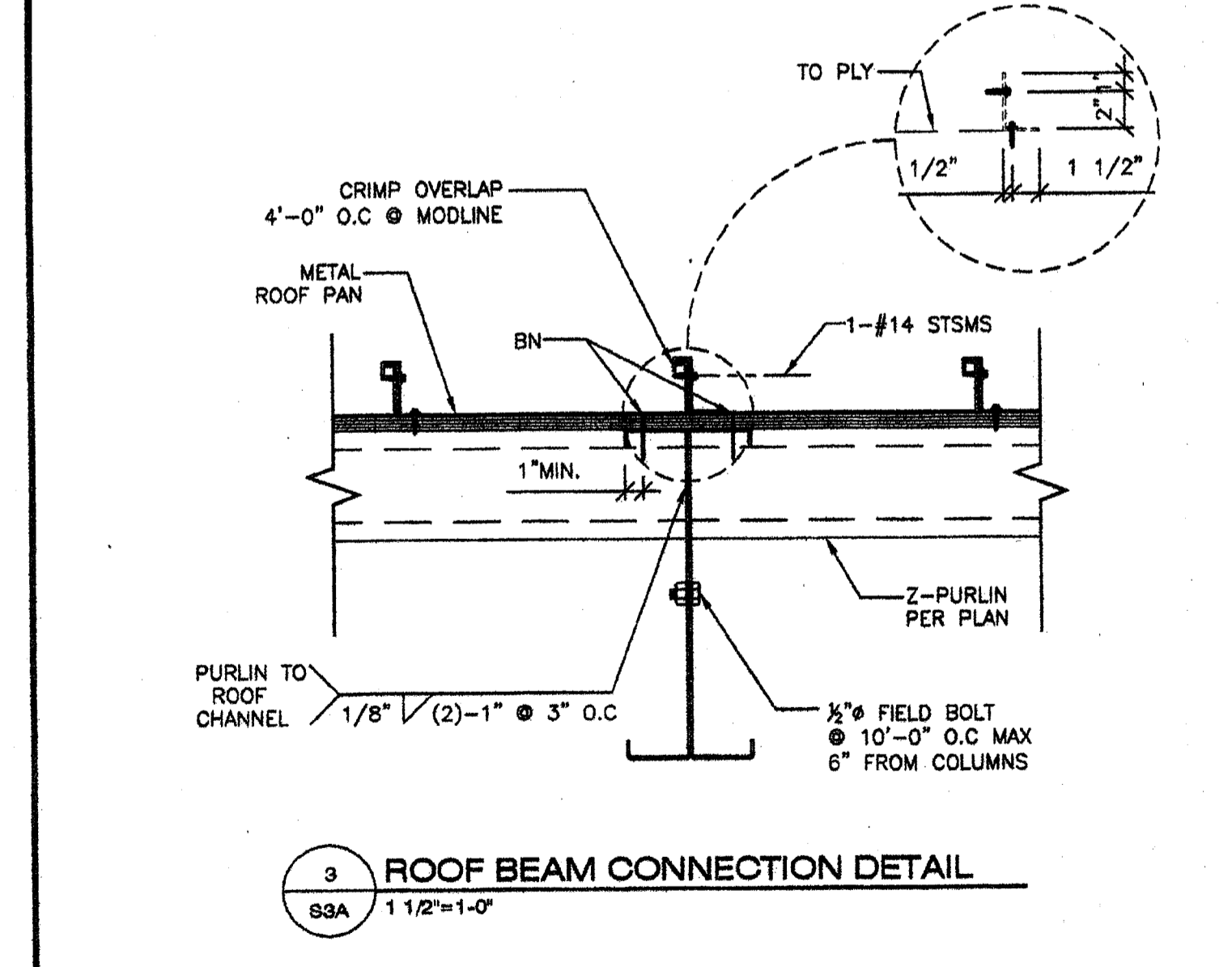


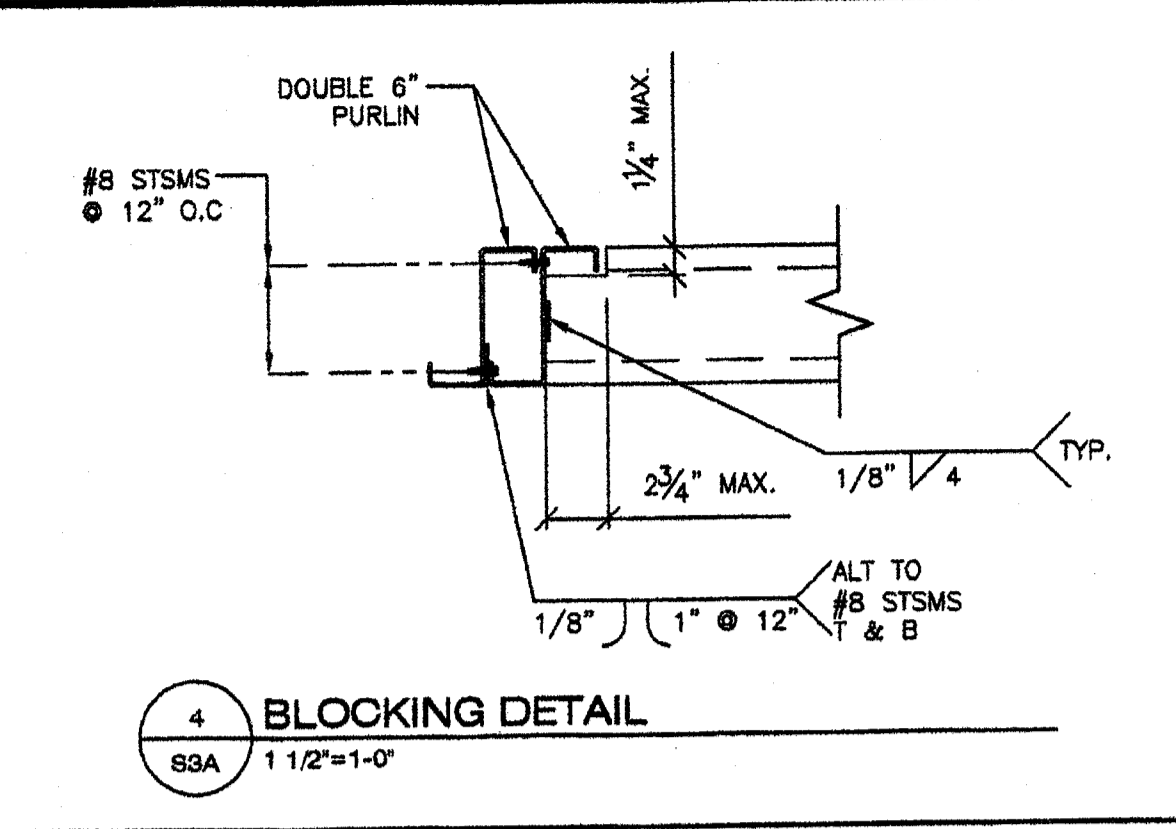
1 TYP. PLYWOOD SHEATHING  
SSA 1 1/2"=1'-0"



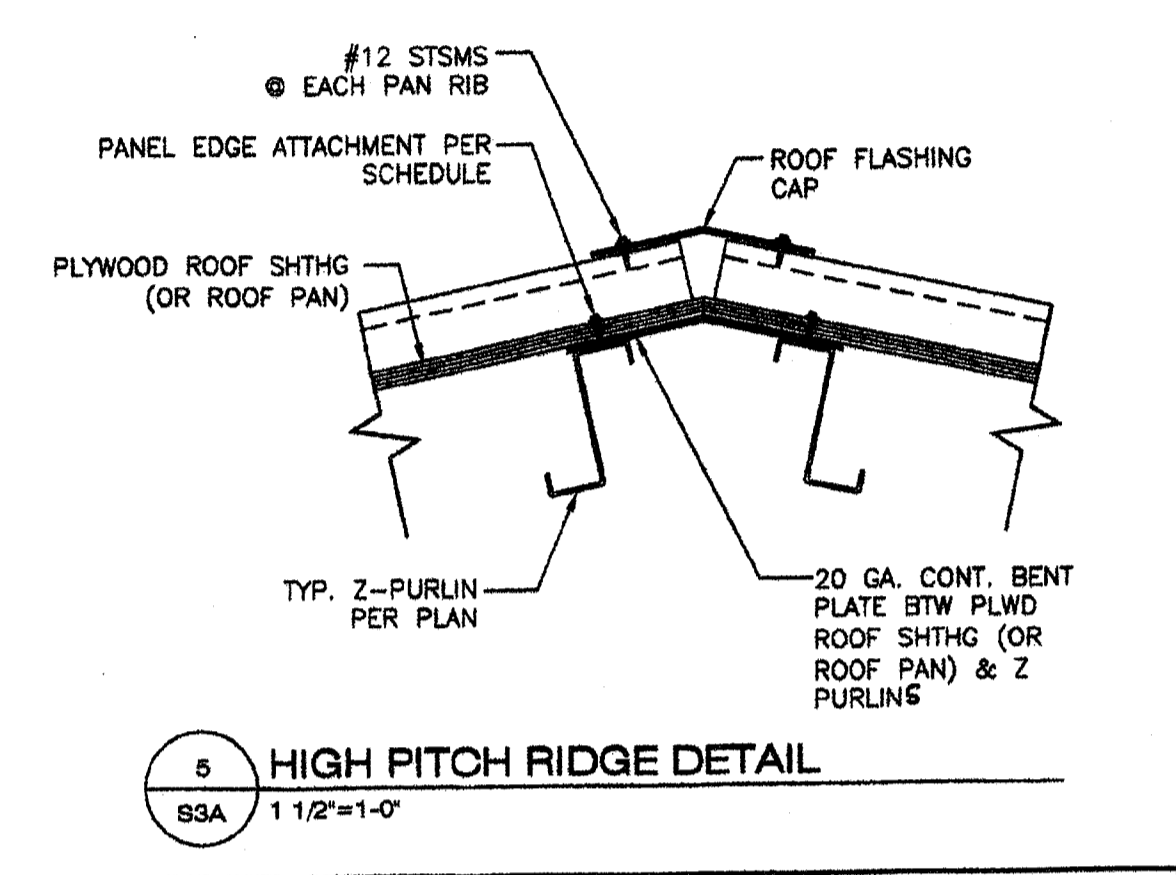
2 OVERHANG DETAIL  
SSA 1 1/2"=1'-0"



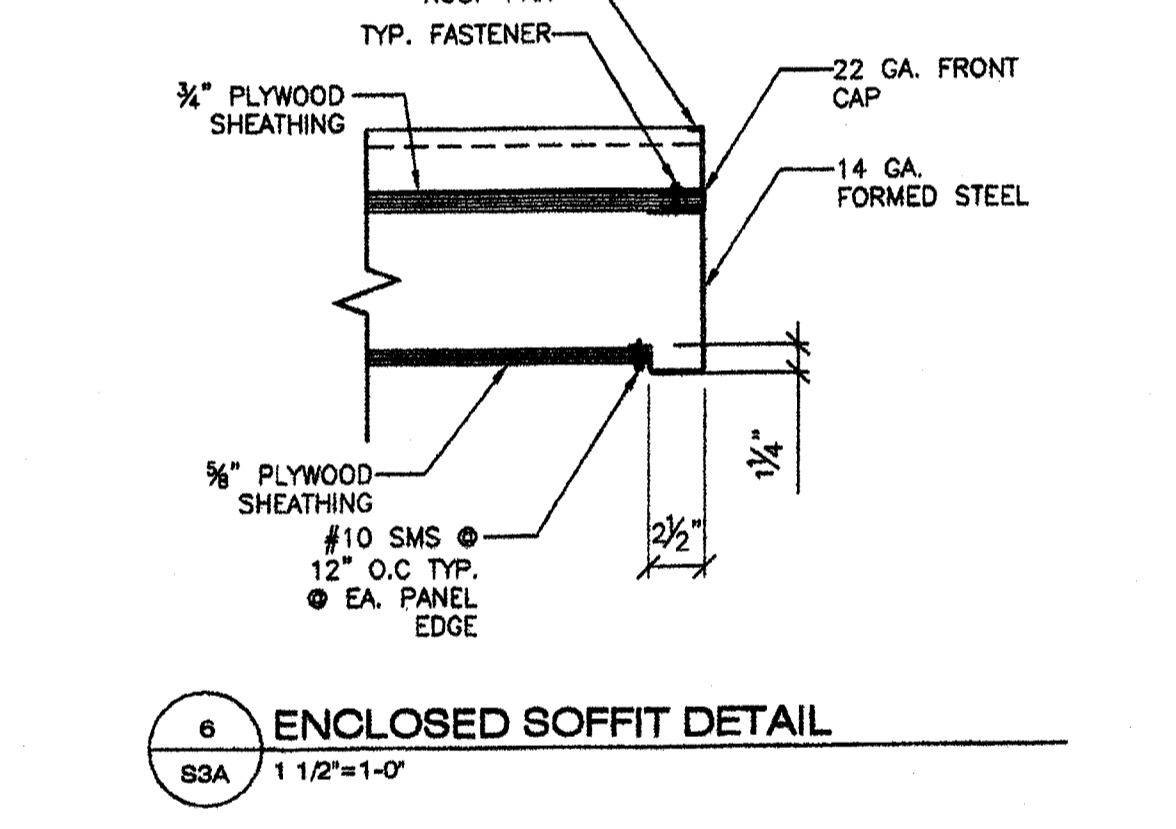
3 ROOF BEAM CONNECTION DETAIL  
SSA 1 1/2"=1'-0"



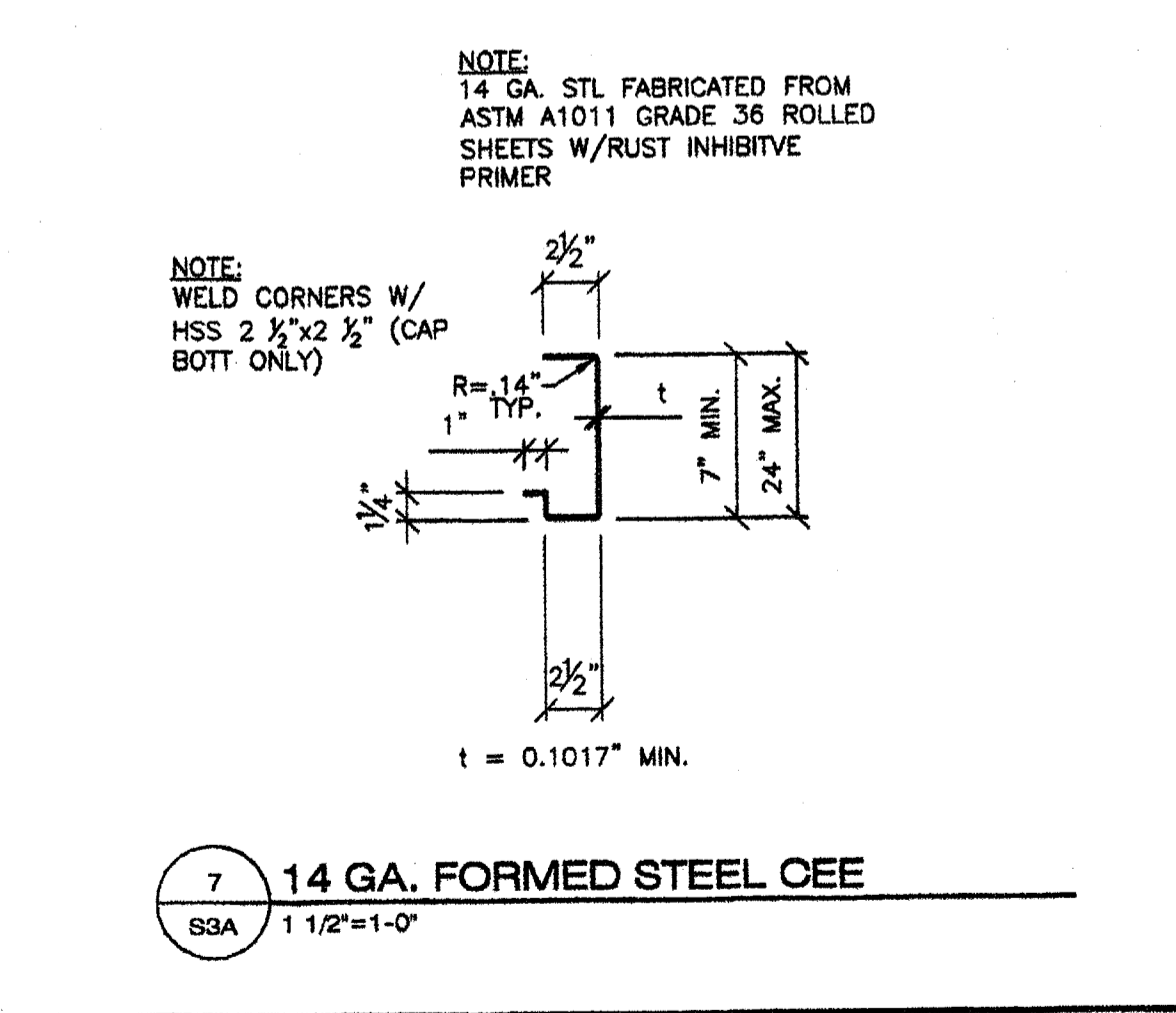
4 BLOCKING DETAIL  
SSA 1 1/2"=1'-0"



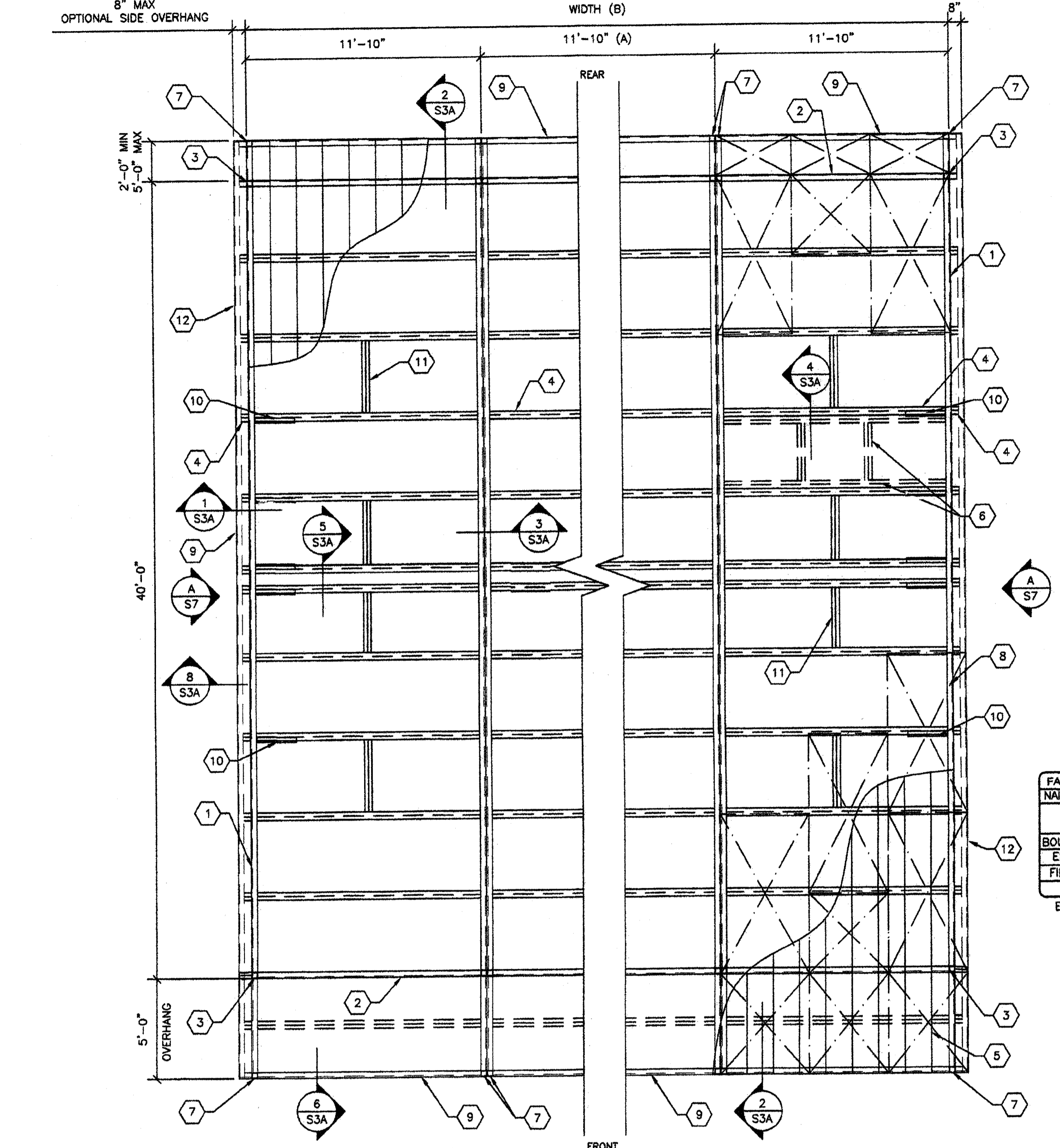
5 HIGH PITCH RIDGE DETAIL  
SSA 1 1/2"=1'-0"



6 ENCLOSED SOFFIT DETAIL  
SSA 1 1/2"=1'-0"



7 14 GA. FORMED STEEL CEE  
SSA 1 1/2"=1'-0"



8 TYPICAL ROOF FRAMING LAYOUT  
SSA 1/4"=1'-0"

- KEY NOTES -**
- LONGITUDINAL ROOF BEAM TYP. (SEE 10/S3.1)
  - 12 GA TRANSVERSE ROOF BEAM TYP. (SEE 11/S3.1)
  - HSS COLUMN PER SHEET S4
  - Z FORMED ROOF PURLINS @ 48" O.C. MAX (SEE 9/S3.1)
  - 20 GA. ROOF PAN 3 SPAN CONTINUOUS MIN. (SEE 8/S3.1)
  - PROVIDE DOUBLE 6" PURLINS W/6" PURLIN BLKG PER 4/S3A @ OPTIONAL ROOF MOUNT HVAC. (MAX WEIGHT 600#)
  - 14 GA. 2 1/2" x 2 1/2" HSS PER 7/S.A
  - 3/4" APA RATED L-P OSB SHEATHING OR 3/4" PLYWOOD (ALL SHEATHING SHALL BE EITHER T&G OR EDGE CLIP) COMPLY WITH DSA PA-082 CD EXPOSURE-1 48/24 SPAN INDEX, FACE GRAIN NORMAL TO ROOF PURLINS. ROOF SHTNG MAY BE REPLACED BY STRAP CROSS BRACING (REFER TO SHEET S3 FOR DETAILS) ALL BOUNDARY, EDGE & FIELD ATTACHMENTS SHALL BE 1" MIN. FROM EDGE OF PLYWOOD & EDGE OF STEEL SUPPORTING MEMBER. REFER TO SCHEDULE BELOW FOR FASTENING.
  - 14 GA. FORMED STEEL CEE PER 7/S3A
  - 3x12 GA. BENT PLATE BRACE PER 1/S3A @ EA. STRAP TO 10 GA. BM CONNECTION @ 12'-0" O.C. MAX @ EXTERIOR WALL ONLY. PROVIDE 2 @ RIDGE & PROVIDE PURLIN BLKG PER NOTE 11 BELOW.
  - PURLIN BLOCKING WELD TO ROOF PURLINS PER DETAIL 4/S3A. BLOCKING IS ONLY REQUIRED AT THE OUTSIDE MODULES @ PURLINS WITH DIAGONAL BRACING PER NOTE 10 ABOVE.
  - OPTIONAL SIDE OVERHANGS

**FASTENING SCHEDULE**

NAILING	0.144 PINS SPACING		# 10 SMS SPACING	
	TYPICAL	WITHIN 4' OF BUILDING CORNERS	TYPICAL	WITHIN 4' OF BUILDING CORNERS
BOUNDARY	6" O.C.	6" O.C.	6" O.C.	6" O.C.
EDGE	6" O.C.	6" O.C.	6" O.C.	6" O.C.
FIELD	12" O.C.	6" O.C.	12" O.C.	12" O.C.

ET & F 0.144 PINS PER ICC ESR #4144

- GENERAL NOTES -**
- THE MATERIAL THICKNESS OF STRUCTURAL MEMBER, IN THEIR END-USE, SHALL MEET OR EXCEED THE MINIMUM BASE METAL THICKNESS SPECIFIED IN THE TABLE OR IN THE PLAN. THE MATERIAL GAGE DESIGNATION IN THE PLAN SHALL BE USED AS REFERENCE ONLY.
  - SEE SHEET S5 FOR TYP. SIDE WALL FRAMING.
  - SEE SHEET S5 FOR TYP. END WALL FRAMING.
  - ALL FASTENERS THRU METAL ROOF PANEL SHALL BE INSTALLED W/NEOPRENE WASHERS.

**- MODULE SCHEDULE -**

BLDG SIZE (FT)	TOTAL # OF 12' WIDE MODULES	"A" TOTAL # OF CENTER MODULES	"B" TOTAL BLDG WIDTH
24' x 40'	2	0	23'-8 1/4"
36' x 40'	3	1	38'-6 1/2"
48' x 40'	4	2	47'-4 3/4"
60' x 40'	5	3	59'-3"
72' x 40'	6	4	71'-1 1/4"
84' x 40'	7	5	82'-11 1/2"
96' x 40'	8	6	94'-9 3/4"
108' x 40'	9	7	106'-8"
120' x 40'	10	8	118'-6 1/4"

**REVISIONS**

NO	DATE	DESCRIPTION

DATE: 02/06/08  
SCALE: NOTED  
DRAWN BY: DM  
SERIAL NO.:

CUSTOMER:  
2:12 PITCHED ROOF 24' x 40' THRU 120' x 40' RELOCATABLE BUILDINGS ROOF FRAMING PLANS (PLYWOOD SHEATHING)

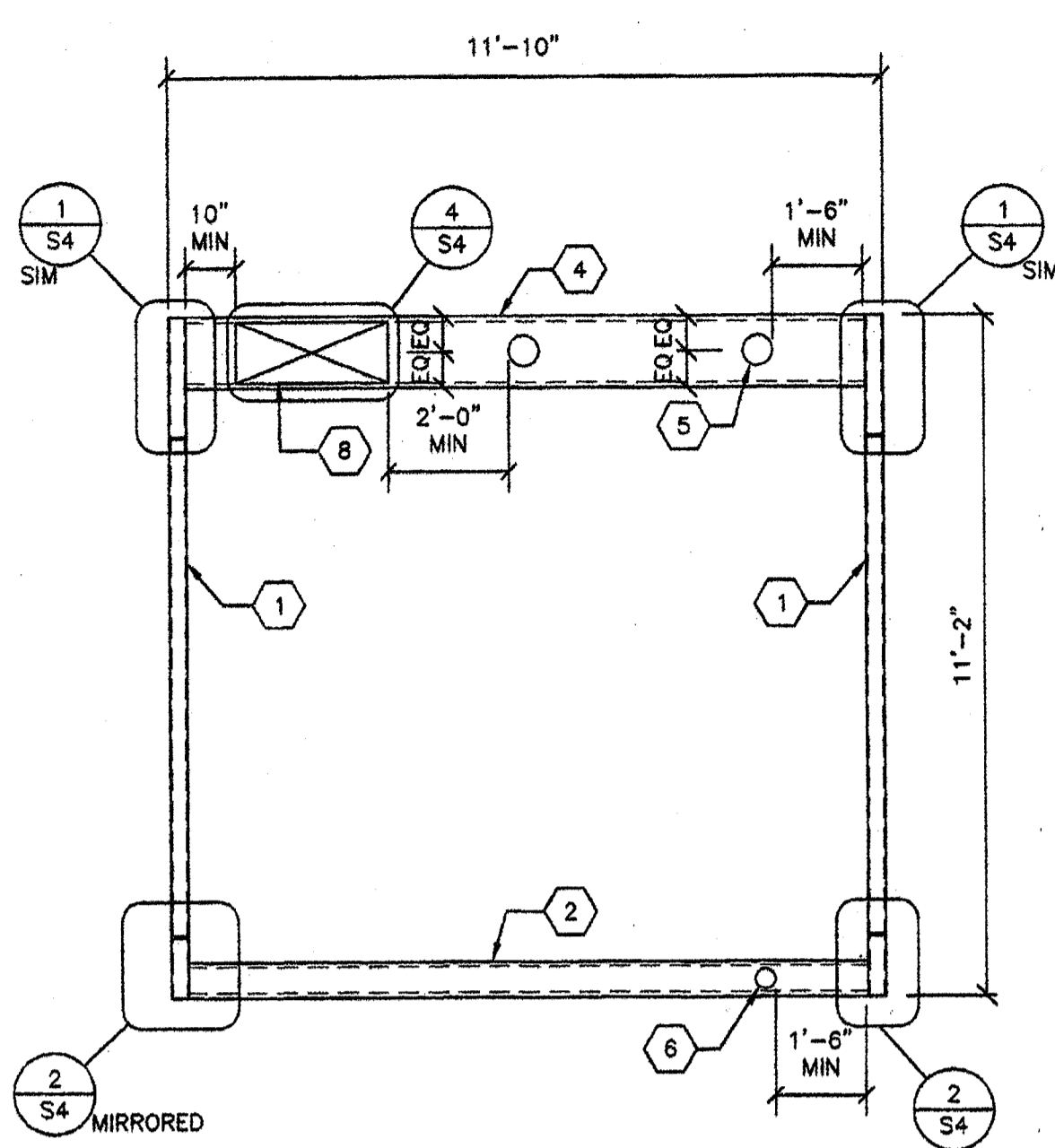
**AMS**  
American Modular Systems Inc.  
787 Sprucetts Ave., Manteca, CA 95336  
(209)825-1921 Fax (209)825-7018  
americanmodular.com

**APPROVALS:**  
THESE DRAWINGS ARE PRELIMINARY AND NOT FOR CONSTRUCTION UNLESS STAMPED & SIGNED BY THE ENGINEER OF RECORD.

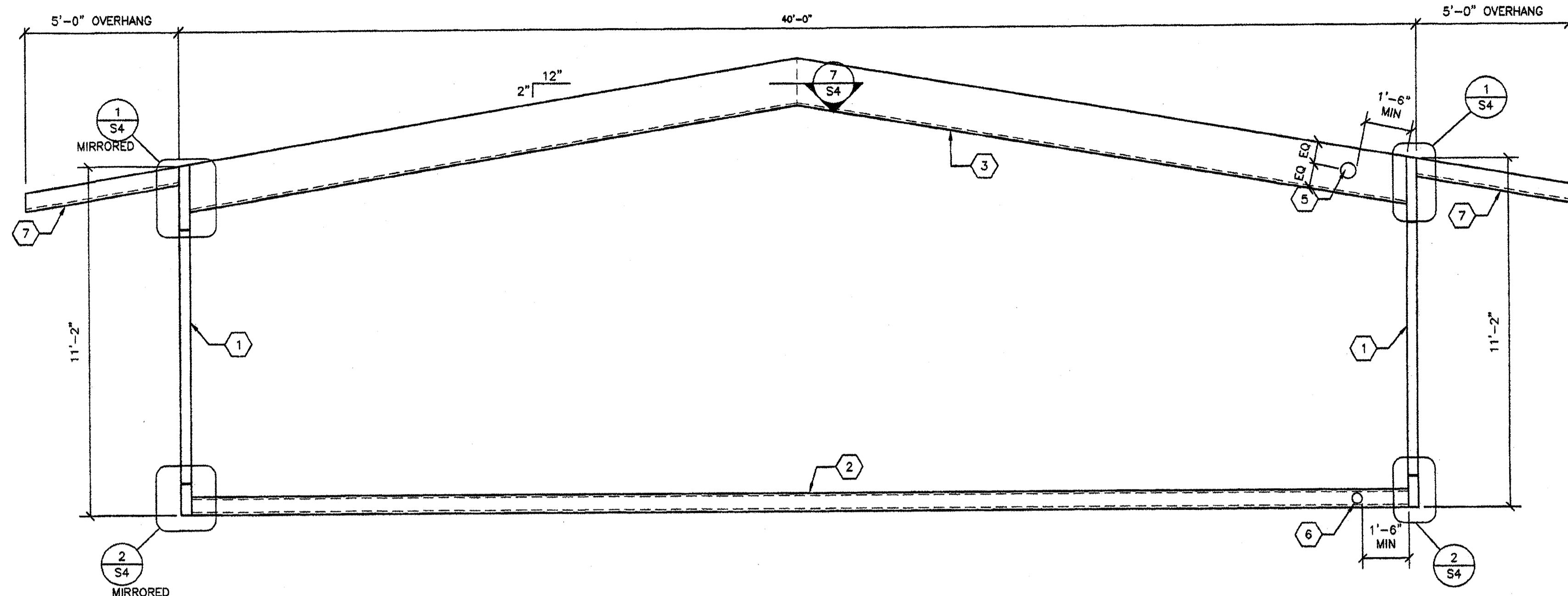
REGISTERED PROFESSIONAL ENGINEER  
Kenneth A. Luttrell  
No. 4418  
Exp. 5/31/08  
Structural Engineer  
STATE OF CALIFORNIA

IDENTIFICATION STAMP  
DIV. OF THE STATE ARCHITECT  
OFFICE OF REGULATION SERVICES  
PC 02-109695  
DATE: 3/23/2009

PROJECT No.  
PC  
**S3A**



**B TYPICAL TRANSVERSE FRAME**  
S4 3/8"=1'-0"

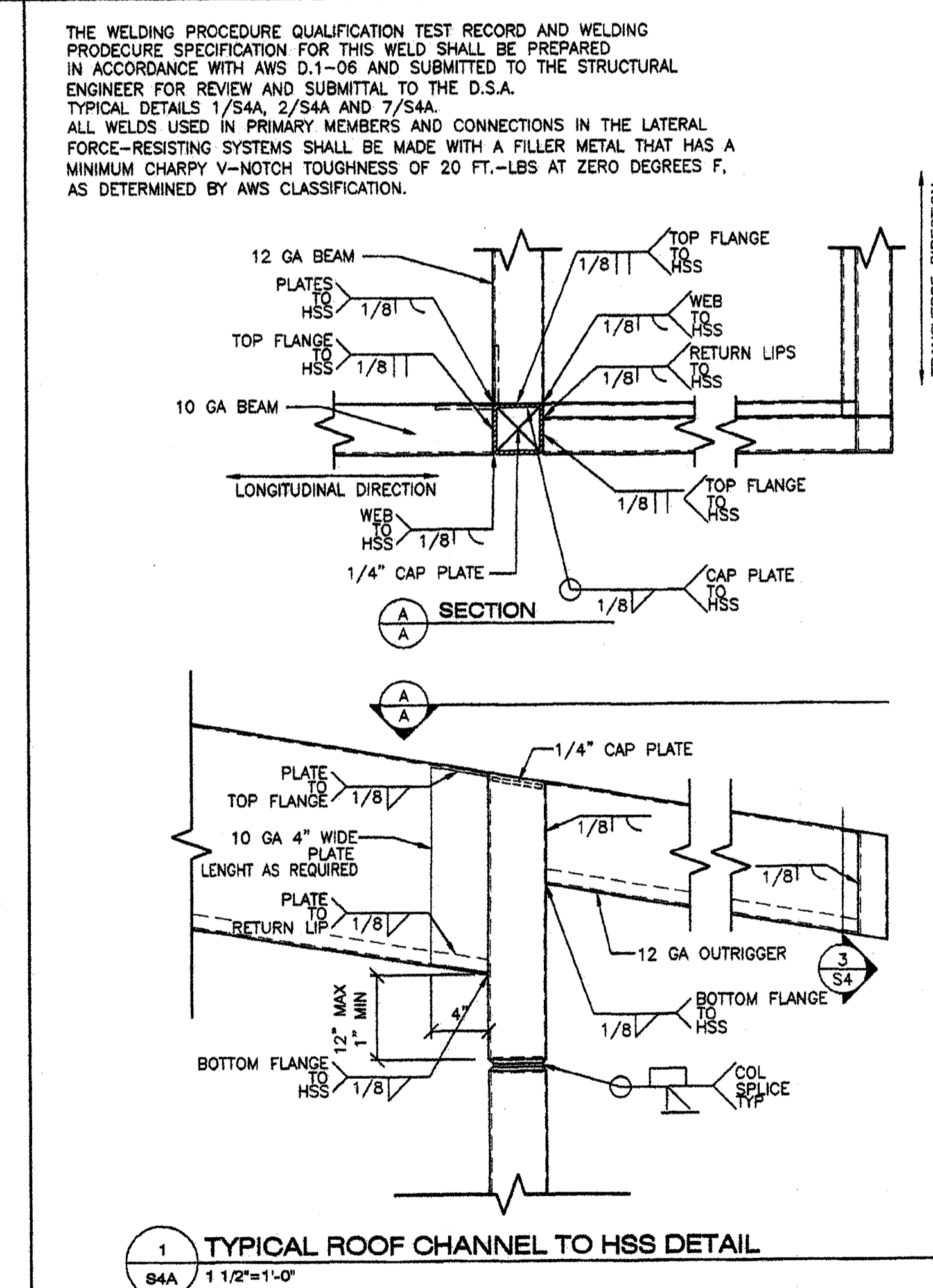
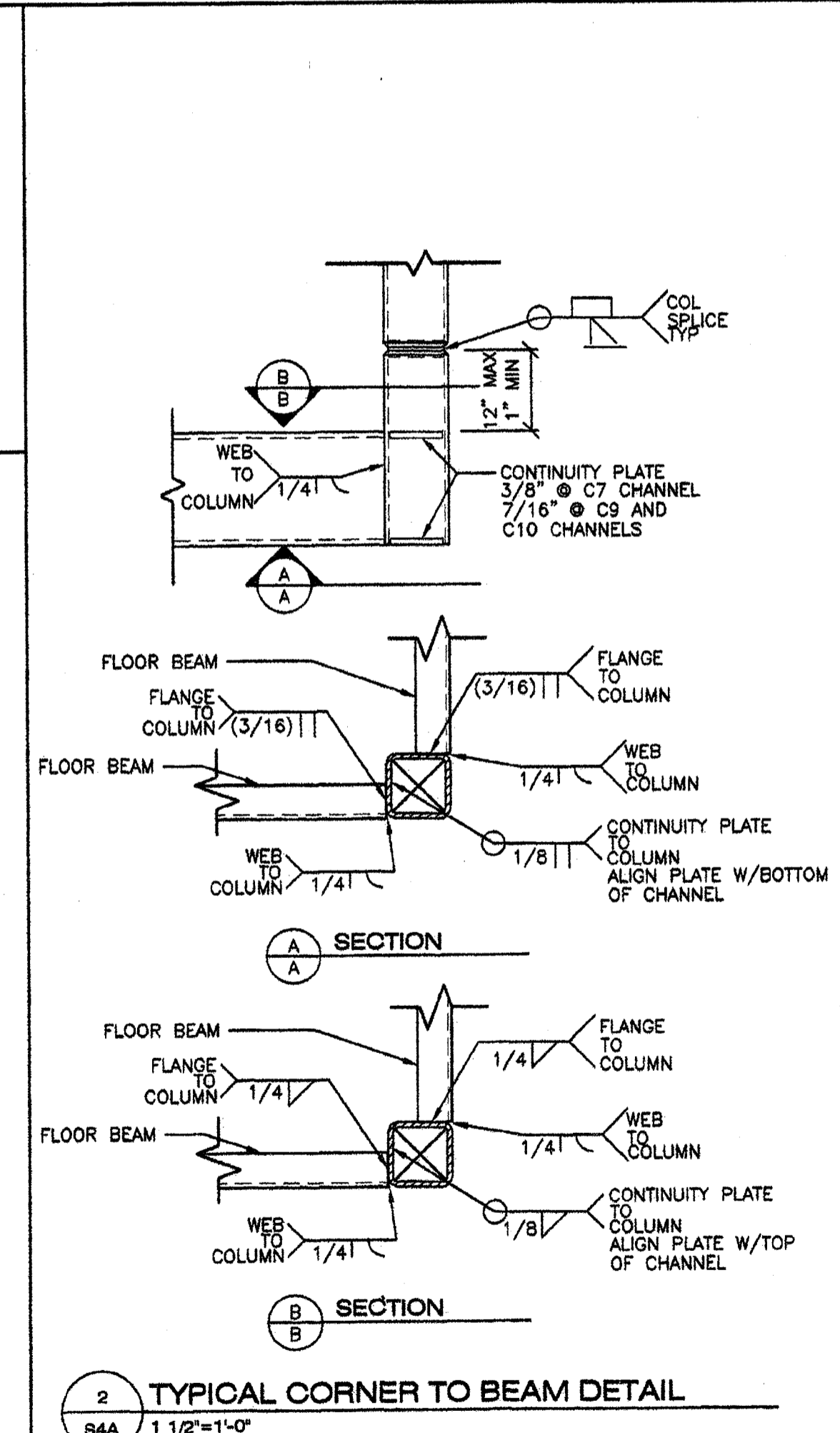
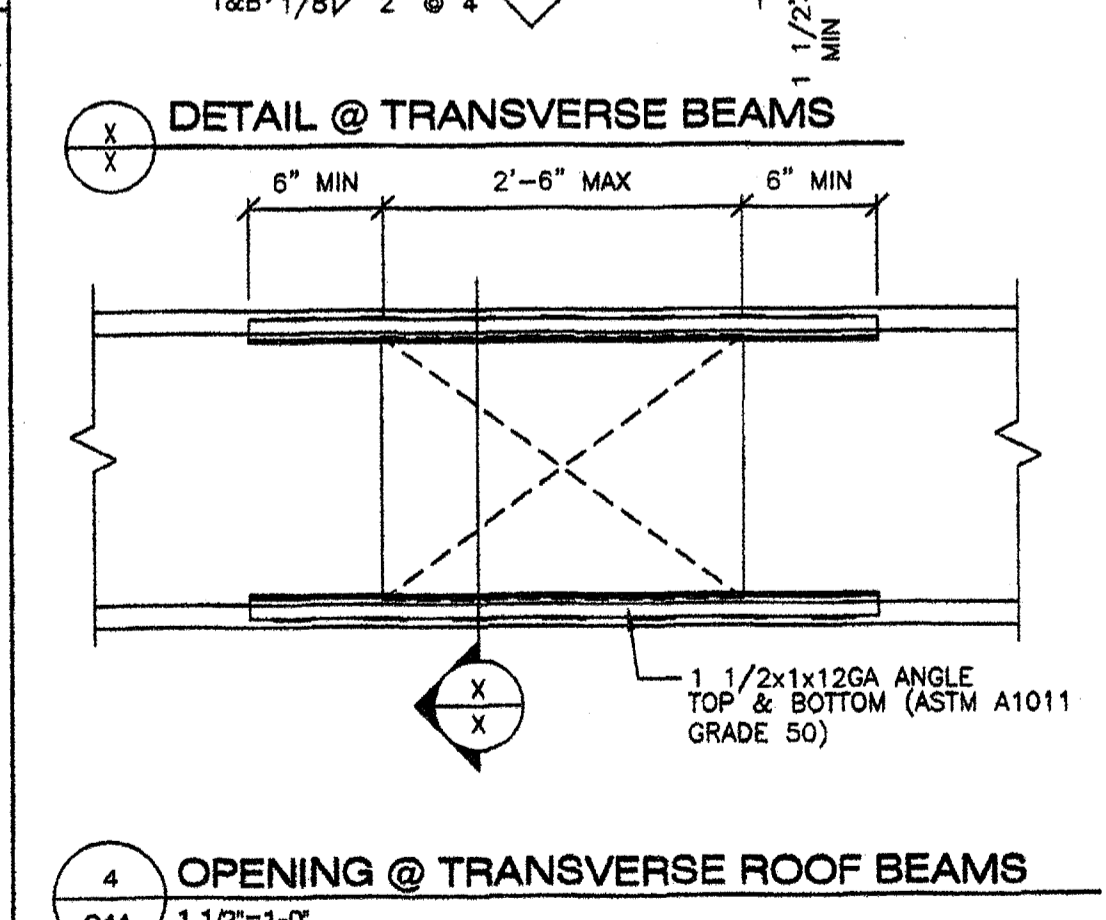
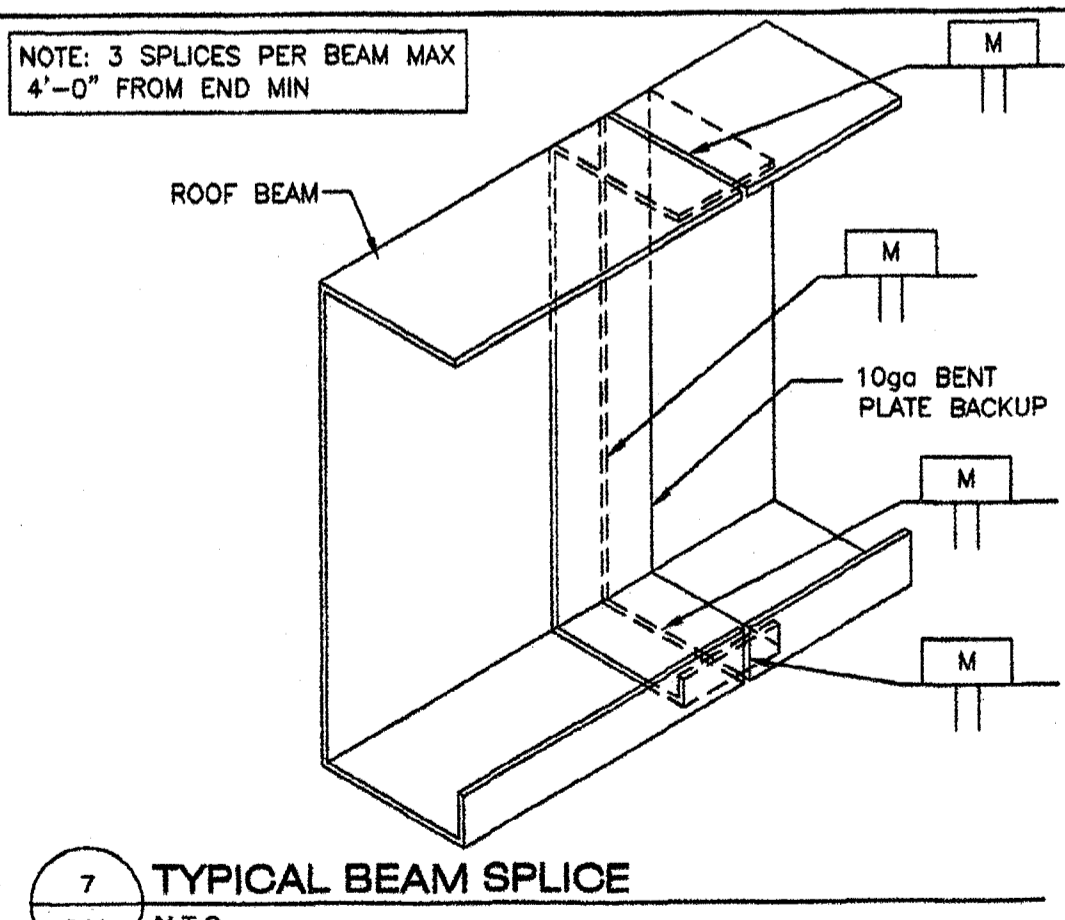
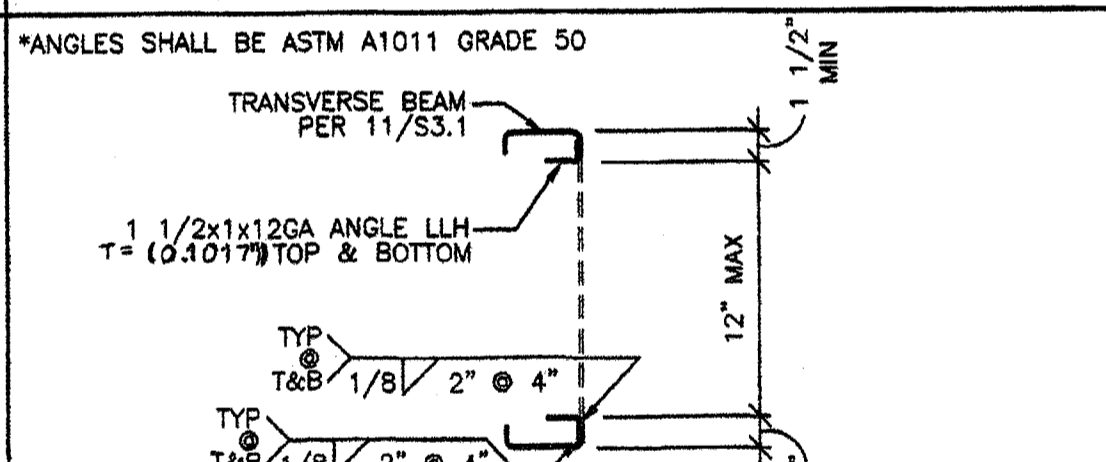
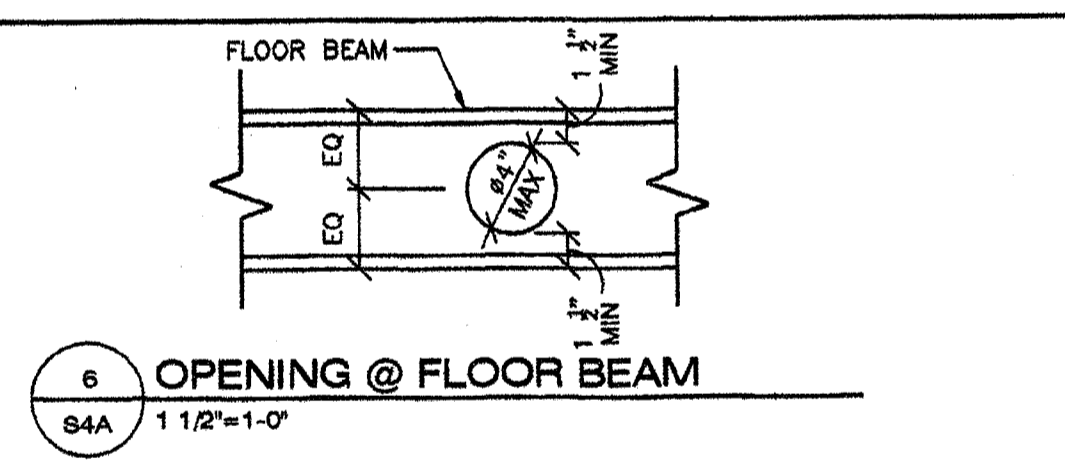
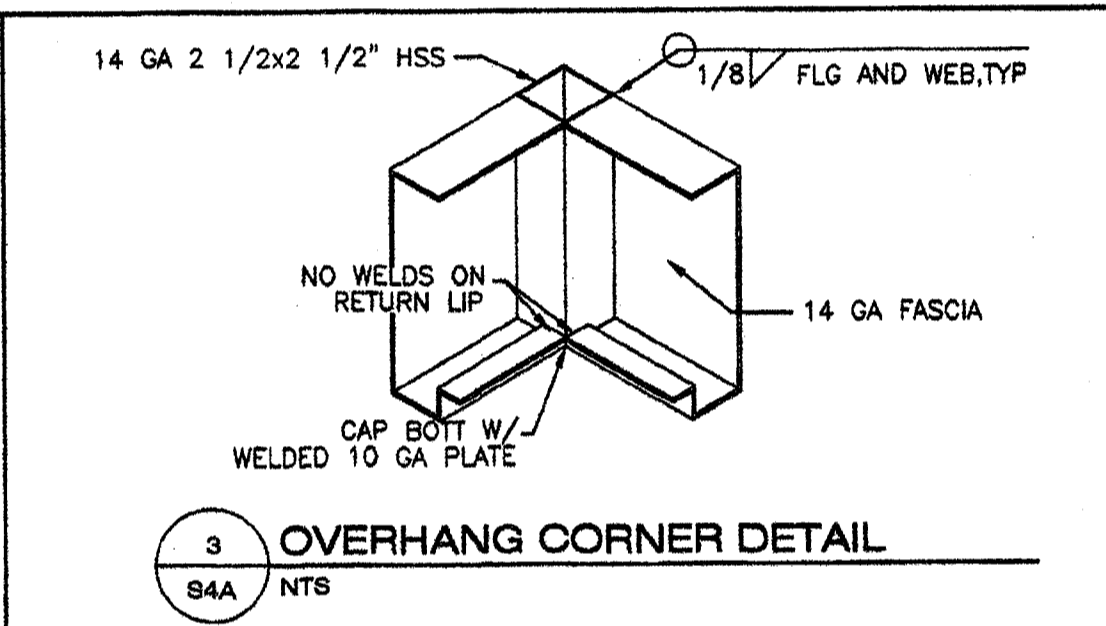
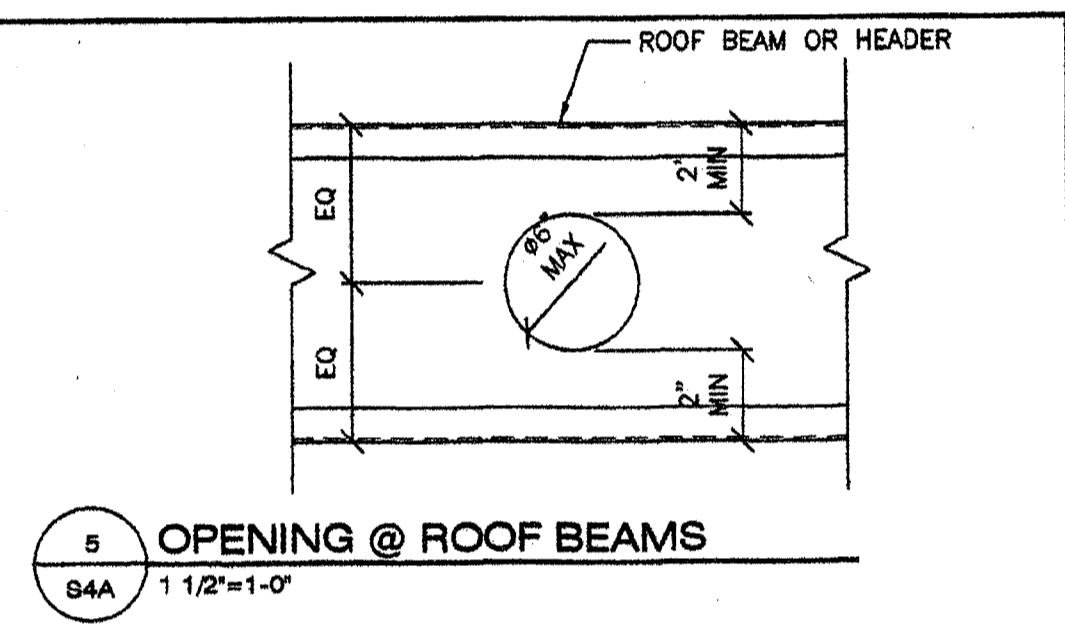


**A TYPICAL LONGITUDINAL FRAME**  
S4 3/8"=1'-0"

- KEY NOTES -**
- 1 HSS 4x4x5/16" COLUMN
  - 2 FLOOR BEAM PER SCHEDULE BELOW
  - 3 LONGITUDINAL ROOF CHANNEL PER 10/S3.1
  - 4 12 GA. TRANSVERSE ROOF CHANNEL 14" MIN 18" MAX PER 11/S3.1
  - 5 6" Ø MAX OPENING IN WEB OF ROOF BEAM WITHOUT WEB REINFORCEMENT MINIMUM SPACING OF HOLES @ 48" O.C. HOLES MAY OCCUR @ ANY LOCATION ALONG LENGTH OF ROOF BEAM EXCEPT AS NOTED OTHERWISE ON FRAMING ELEVATION NOTE: IF HOLE IS 3" OR LESS THEY MAY BE SPACED AT 24" O.C. MINIMUM
  - 6 4" Ø MAX OPENING IN WEB OF FLOOR BEAM WITHOUT WEB REINFORCEMENT MINIMUM SPACING OF HOLES @ 48" O.C. HOLES MAY OCCUR @ ANY LOCATION ALONG LENGTH OF FLOOR BEAM WITH DIRECT FOUNDATION SUPPORT BELOW. OPENINGS ARE NOT ALLOWED WHERE BEAMS ARE SPANNING BETWEEN FOUNDATIONS OR ACROSS VENT OPENINGS.  
NOTE: IF HOLE IS 2" OR LESS THEY MAY BE SPACED AT 24" MINIMUM
  - 7 12 GA OUTRIGGER CHANNEL AT ELEVATION REFER TO DETAIL 1/S4A
  - 8 OPENING FOR HVAC UNIT

**- FLOOR BEAM SCHEDULE -**

SUBFLOOR TYPE	FLOOR BEAM SIZE	ALTERNATES
VIROC OR PLYWOOD	C7x9.8	C9x13.4, C10x15.3
CONCRETE	C9x13.4	C10x15.3



**REVISIONS**

NO.	DATE	DESCRIPTION

DATE: 02/04/05  
SCALE: NOTED  
DRAWN BY: RL  
SERIAL NO.:

CUSTOMER:  
2:12 PITCHED ROOF 24' x 40' THRU 120' x 40' RELOCATABLE BUILDINGS  
TYPICAL FRAME ELEVATIONS

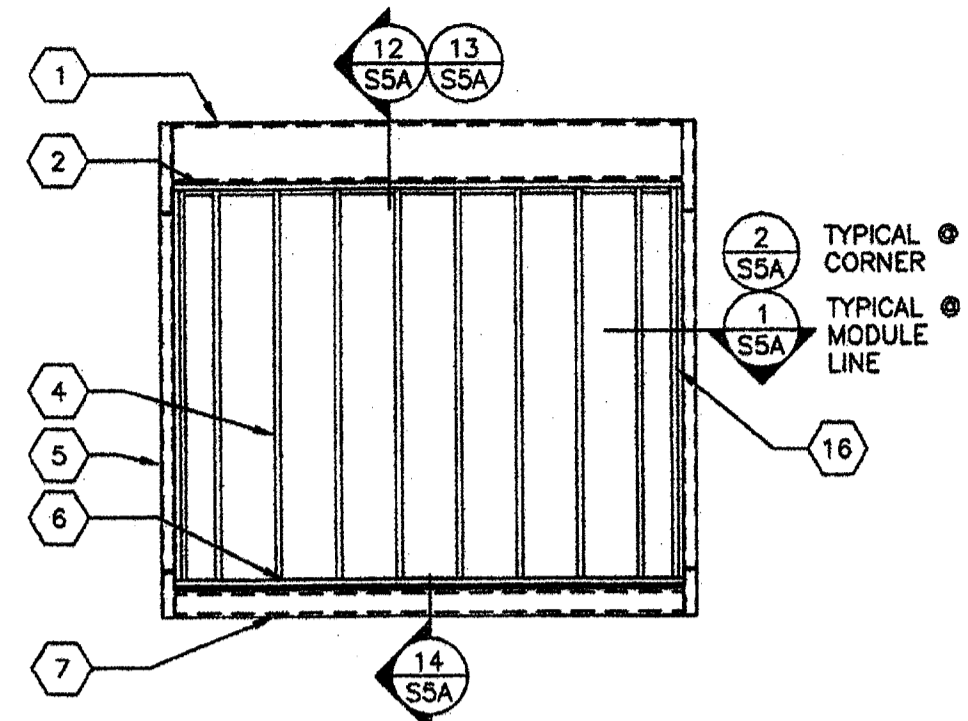
**AMS**  
American Modular Systems Inc.  
787 Sprackels Ave. Manteca, CA 95336  
(209)825-1921 Fax (209)825-7018  
americanmodular.com

APPROVALS:  
THESE DRAWINGS ARE PRELIMINARY AND NOT FOR CONSTRUCTION UNLESS STAMPED & SIGNED BY THE ENGINEER OF RECORD.

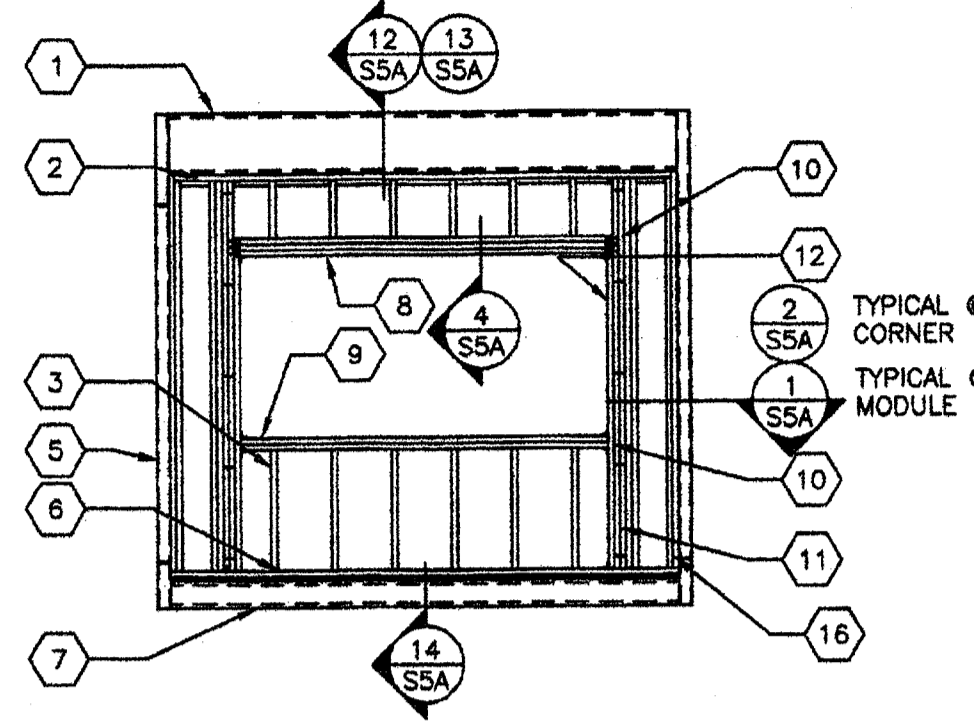
IDENTIFICATION STAMP  
NO. C1293  
REV. 3-21-05  
DATE: SEP 27 2009

IDENTIFICATION STAMP  
DIV. OF THE STATE ARCHITECT  
OFFICE OF REGULATION SERVICES  
PC 02-109695  
DATE: 3/2/2009  
**S4**

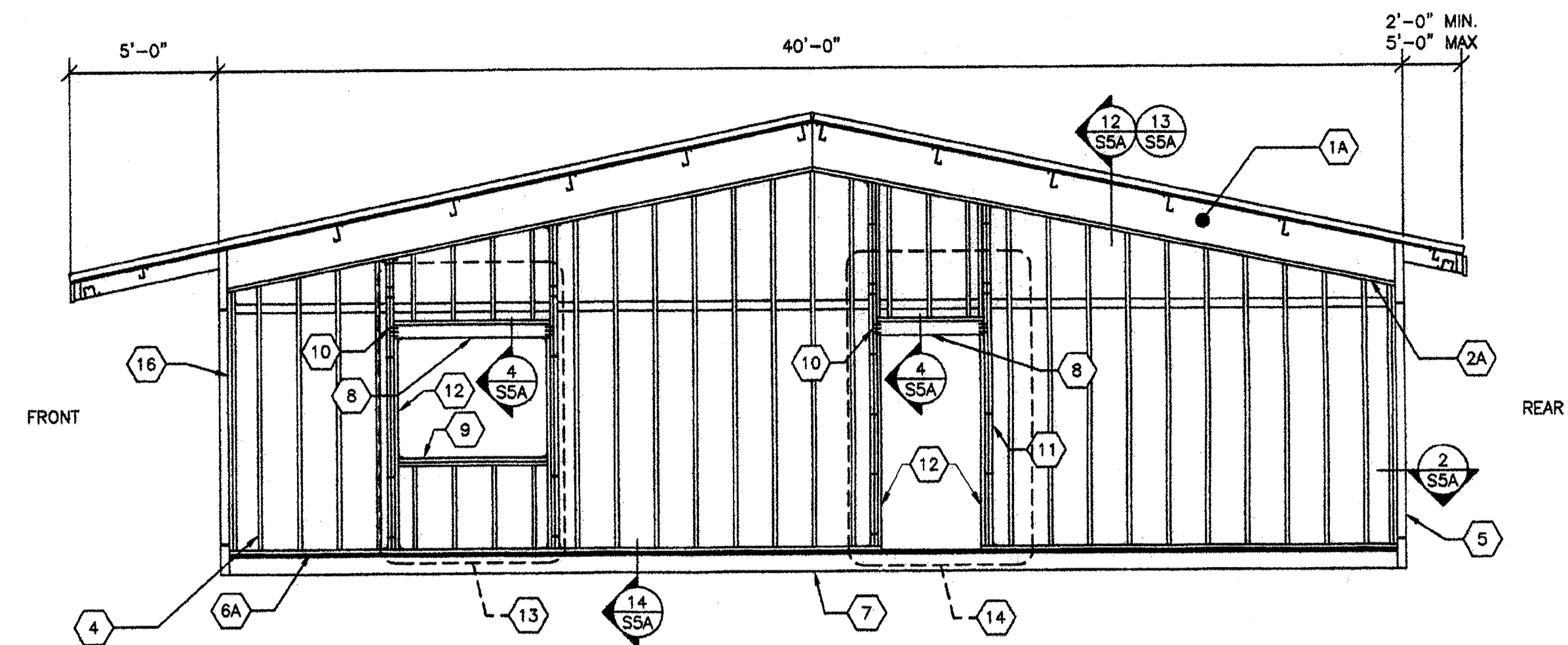
THESE DRAWINGS AND SPECIFICATIONS ARE THE PROPERTY OF AMERICAN MODULAR SYSTEMS AND ARE NOT TO BE REPRODUCED, CHANGED OR COPIED IN ANY FORM OR MANNER, NOR ARE THEY TO BE ASSIGNED TO ANY THIRD PARTY WITHOUT THE WRITTEN AUTHORIZATION OF AMERICAN MODULAR SYSTEMS.



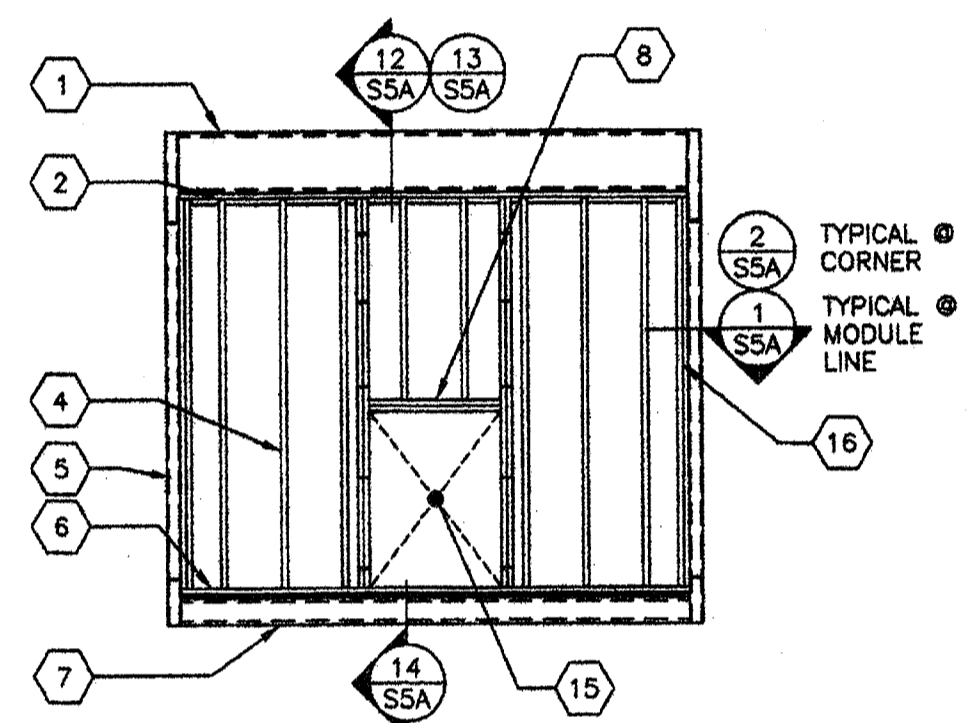
1 TYP END WALL FRAMING W/NO OPENINGS  
S5 1/4"=1'-0"



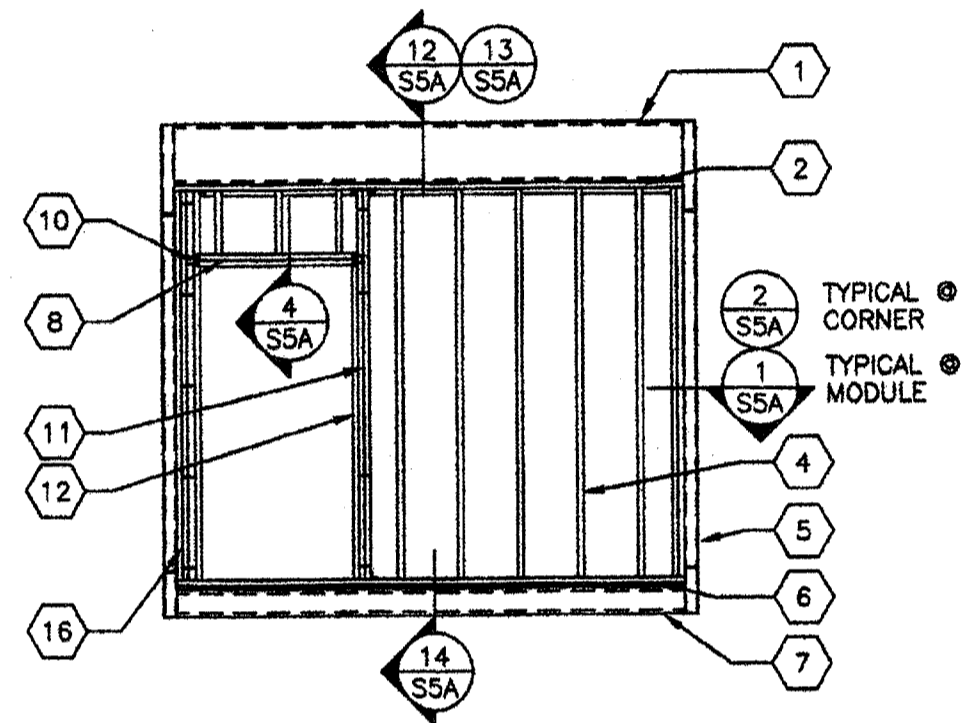
2 TYP END WALL FRAMING W/WINDOW  
S5 1/4"=1'-0"



6 TYP SIDE WALL FRAMING  
S5 1/4"=1'-0"



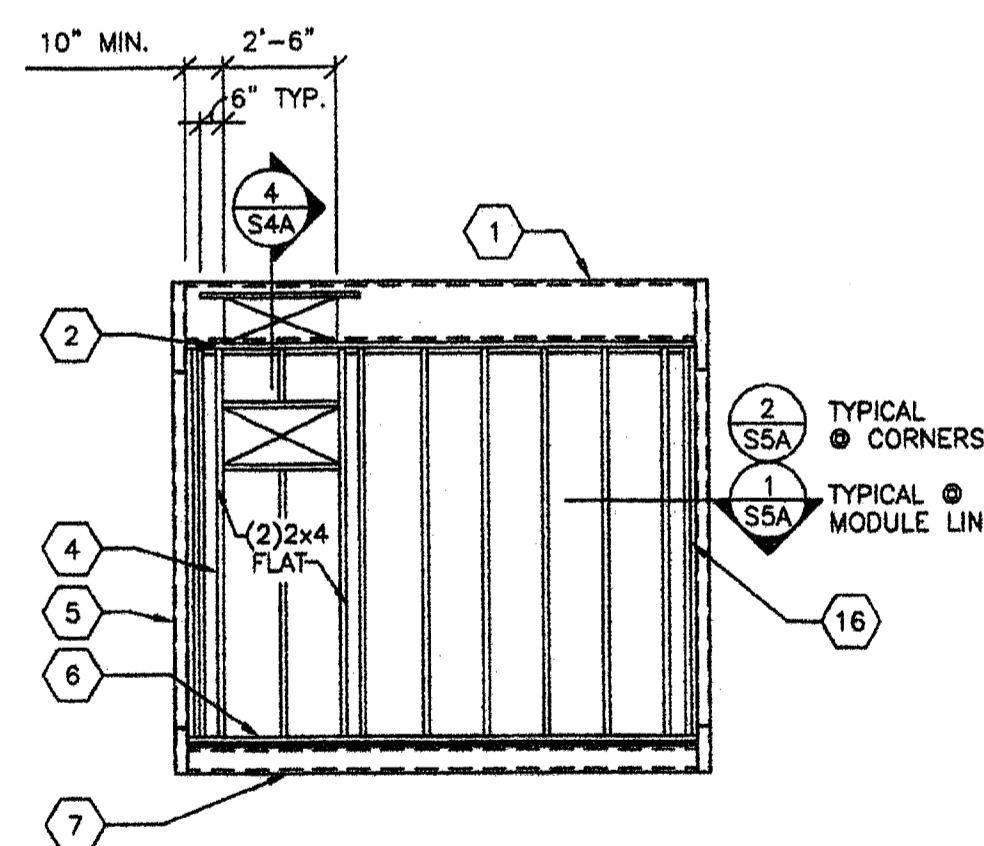
3 TYP END WALL FRAMING W/INDOOR HVAC UNIT  
S5 1/4"=1'-0" OPTIONAL



4 TYP END WALL FRAMING W/DOOR  
S5 1/4"=1'-0"

- KEY NOTES -

- 1 ROOF HEADER
- 1A ROOF BEAM
- 2 2x4 HEM FIR #2 PLATE NO SPLICE
- 2A 2x HEM FIR #2 PLATE
- 3 2x STUDS SPACED PER SCHEDULE TYP. W/ (3) .131x3" NAILS @ EA END
- 4 2x4 STUDS SPACED PER SCHEDULE W/(3).131x3" NAILS @ EA. END @ TRANSVERSE WALLS, (2) 2x4'S OR (1)2x6 STUDS SPACED PER SCHEDULE W/(3).131x3" NAILS @ EACH END @ LONGITUDINAL WALLS.
- 5 HSS COLUMN PER SHEET S4
- 6 2x HEM FIR #2 BOTTOM PLATE NO SPLICES 2x P.T. HEM FIR #2 AT CONCRETE FLOORS
- 6A 2x HEM FIR #2 BOTTOM PLATE 2x P.T. HEM FIR #2 AT CONCRETE FLOORS
- 7 PERIMETER FLOOR BEAM
- 8 (2) 2x6 HEM FIR W/ 2x4 FLAT HEADER ALT. (3) FLAT 2x HEM FIR. PER DETAIL 4/S5A
- 9 (2) 2x HEM FIR #2 WINDOW SILL PLATE TYP. (3) 2x HEM FIR #2 OR (2) 2x DOUG FIR #2 @ STUCCO WALLS
- 10 (7).131x3" END NAILS THROUGH KING STUD TYP (ONLY 5 NAILS REQUIRED AT WINDOW SILLS) INTERNAL KINGS STUDS W/.131 NAILS @ 12" O.C MAX
- 11 (2) 2x HEM FIR #2 KING STUDS W/ (2) A34 T&B TO PLATE @ OPENINGS LESS THAN 4'-0" (INTERNAL W/O.131 NAILS @ 12" OC TYP MAX.) (4) 2x HEM FIR #2 KING STUDS W/(2) A34 T & B TO PLATE @ TRANSVERSE WALLS @ OPENINGS GREATER THAN 4'-0" (INTERNAL W/O.131 NAILS @ 12" OC TYP MAX.) (6) 2x HEM FIR #2 KING STUDS W/(2) A34 T & B TO PLATE @ LONGITUDINAL WALLS @ OPENINGS GREATER THAN 4'-0" (INTERNAL W/O.131 NAILS @ 12" OC TYP MAX.)
- 12 2x HEM FIR #2 TRIMMER
- 13 OPTIONAL WINDOW OPENING MAX 8'-0" WIDE (REFER TO 2/S5 FOR DETAILS AND FLOOR PLANS FOR LOCATIONS)
- 14 OPTIONAL DOOR OPENING (REFER TO 4/S5 FOR DETAILS AND FLOORPLANS FOR LOCATIONS)
- 15 HVAC OPENINGS @ INDOOR UNIT
- 16 2x NAILER



5 TYP END WALL FRAMING W/WALL HUNG HVAC UNIT  
S5 1/4"=1'-0" OPTIONAL

EXTERIOR WALL FINISH/WALL STUD SCHEDULE

FINISH TYPE	FOUNDATION TYPE	WALL FINISH COMMENTS	STUD TYPE	STUD SPACING TYPICAL	STUD SPACING @ CORNERS
5/8" PLYWOOD SHEATHING 303 CONFORMING TO PS1-95. VERTICAL GROOVES @ 8" OC	WOOD OR CONCRETE	JOINT DETAIL SEE 10/SSA NAILING PER BLDG SECTIONS	HEM FIR #2	@ 16" OC	@ 16" OC
5/8" HARDIBOARD WITH SYNTHETIC STUCCO	WOOD OR CONCRETE	JOINT DETAIL AND NAILING PER DETAIL 10/SSA	DOUG FIR #2	@ 16" OC	@ 16" OC
5/8" PLYWOOD SHEATHING CONFORMING TO PS1-95, AFA RATED, 5 PLY 32/16, EXPOSURE 1 WITH 7/8" STUCCO	CONCRETE ONLY	NAILING PER BLDG SECTIONS	HEM FIR #2	@ 16" OC	@ 12" OC
			DOUG FIR #2	@ 16" OC	@ 16" OC

- ALL NAILS IN EXTERIOR APPLICATIONS TO BE GALVANIZED.
- WALL CORNERS ARE DEFINED AS A DISTANCE OF 8' FEET IN BOTH DIRECTIONS FROM EACH CORNER OF BUILDINGS WITH 2160 SQ. FT. OR GREATER AND A DISTANCE OF 4 FEET IN BOTH DIRECTIONS FROM EACH CORNER OF BUILDINGS WITH LESS THAN 2160 SQ. FT.
- TYPICAL PLYWOOD NAILING WHERE OCCURS .131x2 1/4" GALV @ 6" O.C E.N. & 12" O.C. F.N.

REVISIONS

NO	DATE	DESCRIPTION

DATE: 02/07/08

SCALE: NOTED

DRAWN BY: DM

SERIAL NO.:

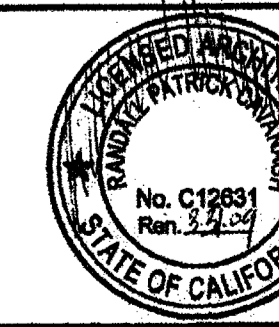
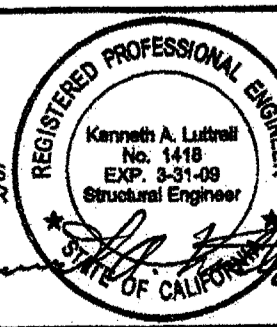
CUSTOMER:

2:12 PITCHED ROOF 24' x 40' THUR 120' x 40' RELOCATABLE BUILDINGS  
WALL FRAMING ELEVATIONS



APPROVALS:

THESE DRAWINGS ARE PRELIMINARY AND NOT FOR CONSTRUCTION UNLESS STAMPED & SIGNED BY THE ENGINEER OF RECORD.



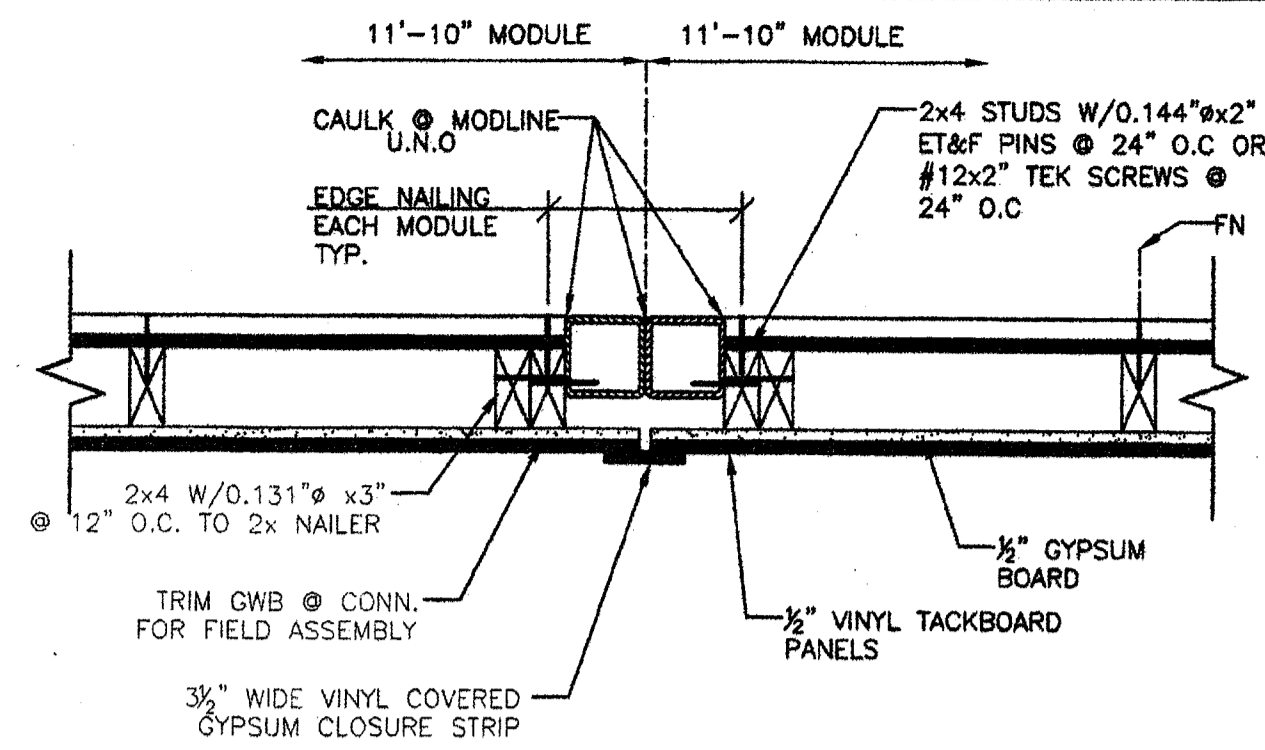
IDENTIFICATION STAMP  
DW. OF THE STATE ARCHITECT  
OFFICE OF REGULATION SERVICES  
03-112985  
AC: FLS SS  
DATE: SEP 27 2007

IDENTIFICATION STAMP  
DW. OF THE STATE ARCHITECT  
OFFICE OF REGULATION SERVICES  
PC 02-109695  
AC: FLS SS  
DATE: 3/23/2009

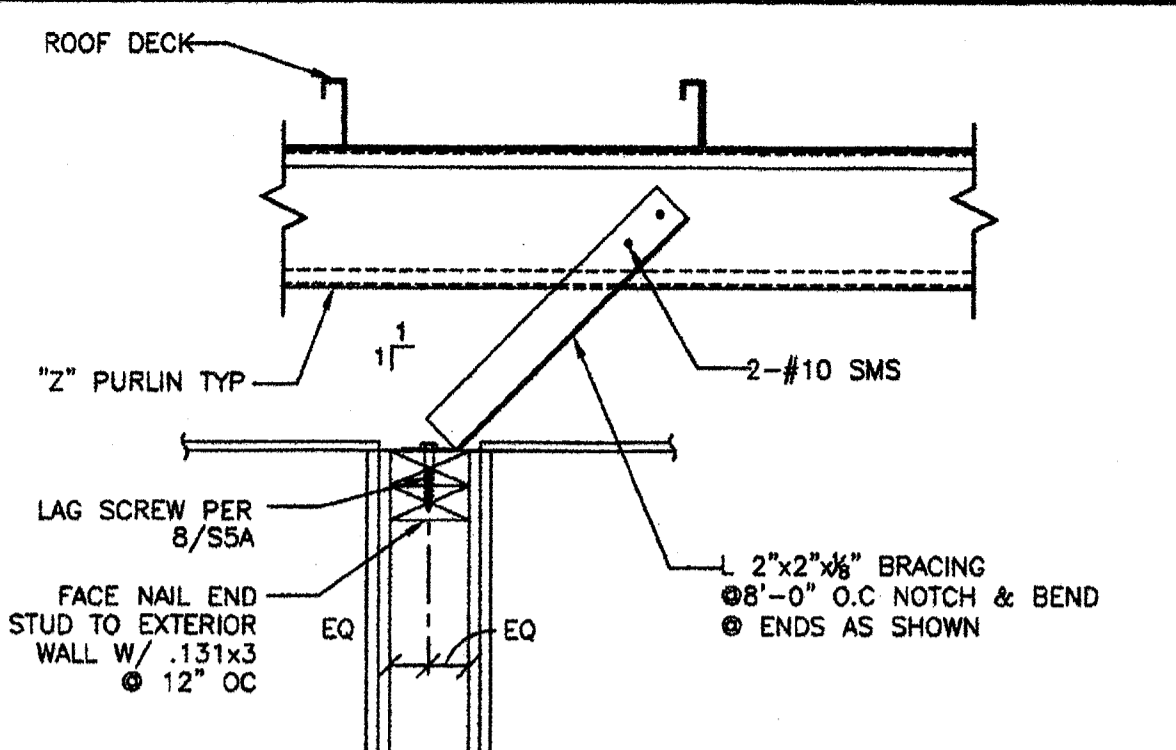
PROJECT No.

S5

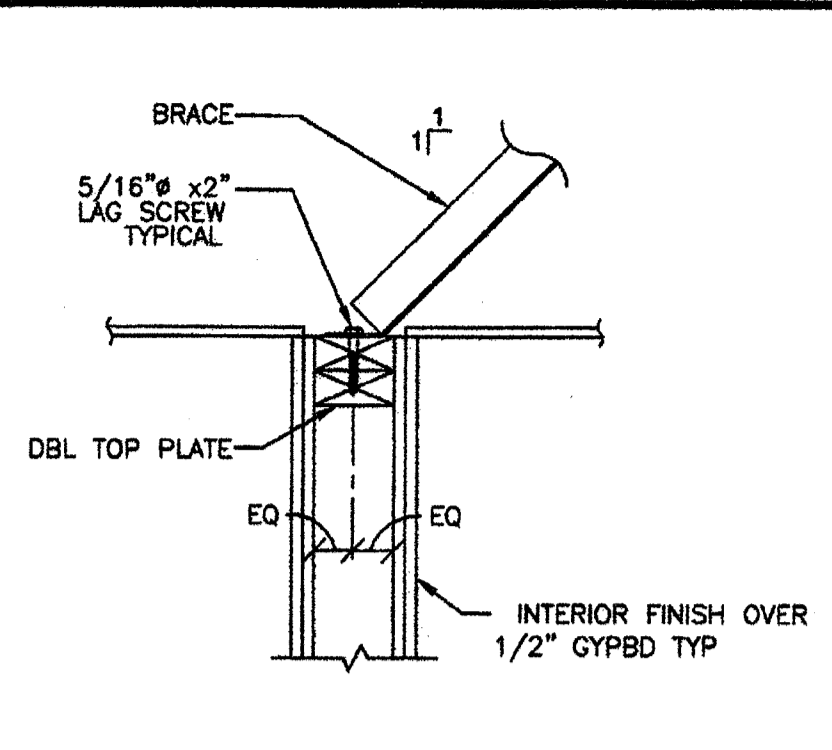
THESE DRAWINGS AND SPECIFICATIONS ARE THE PROPERTY OF AMERICAN MODULAR SYSTEMS AND ARE NOT TO BE REPRODUCED, CHANGED OR COPIED IN ANY FORM OR MANNER, NOR ARE THEY TO BE ASSIGNED TO ANY THIRD PARTY WITHOUT THE WRITTEN AUTHORIZATION OF AMERICAN MODULAR SYSTEMS.



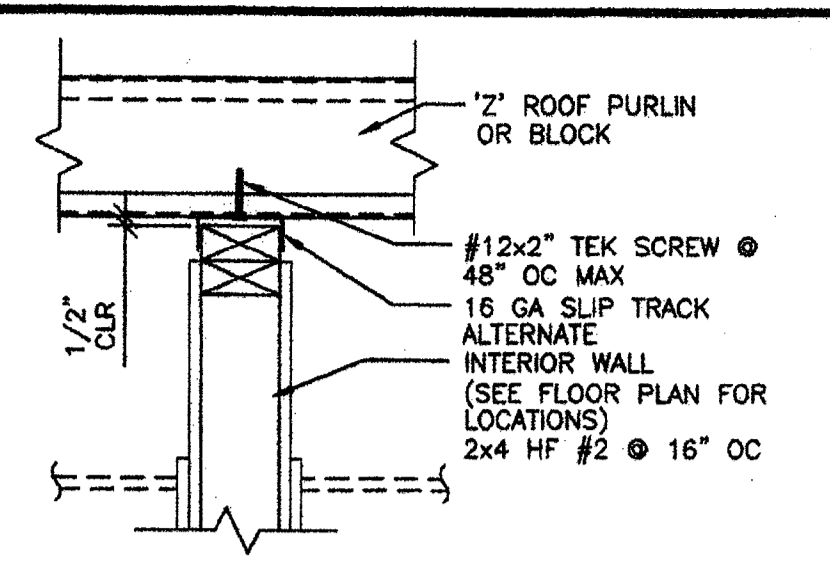
**1 WALL TO COLUMN TYP DETAIL @ MODLINES**  
SSA 1 1/2"=1'-0"



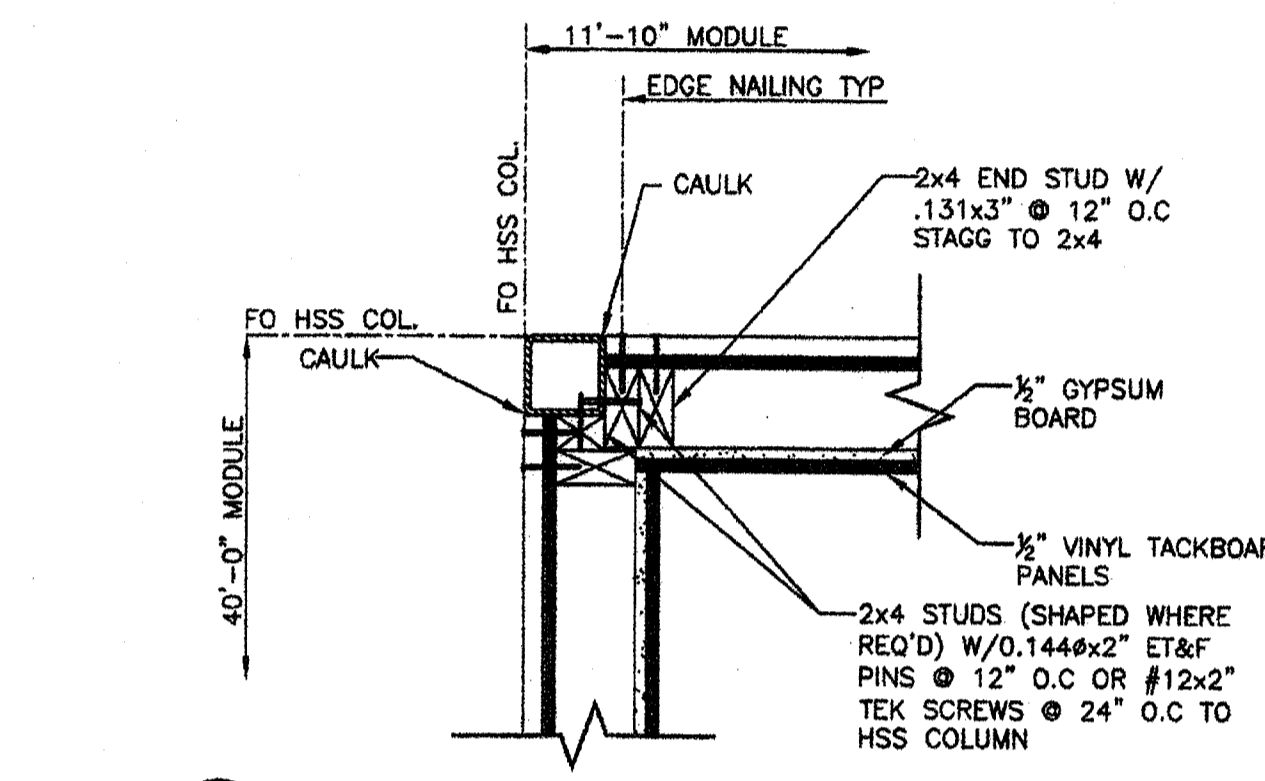
**5 TYP. INTERIOR WALL BRACING (BRACE PARALLEL TO PURLINS)**  
SSA 1 1/2"=1'-0"



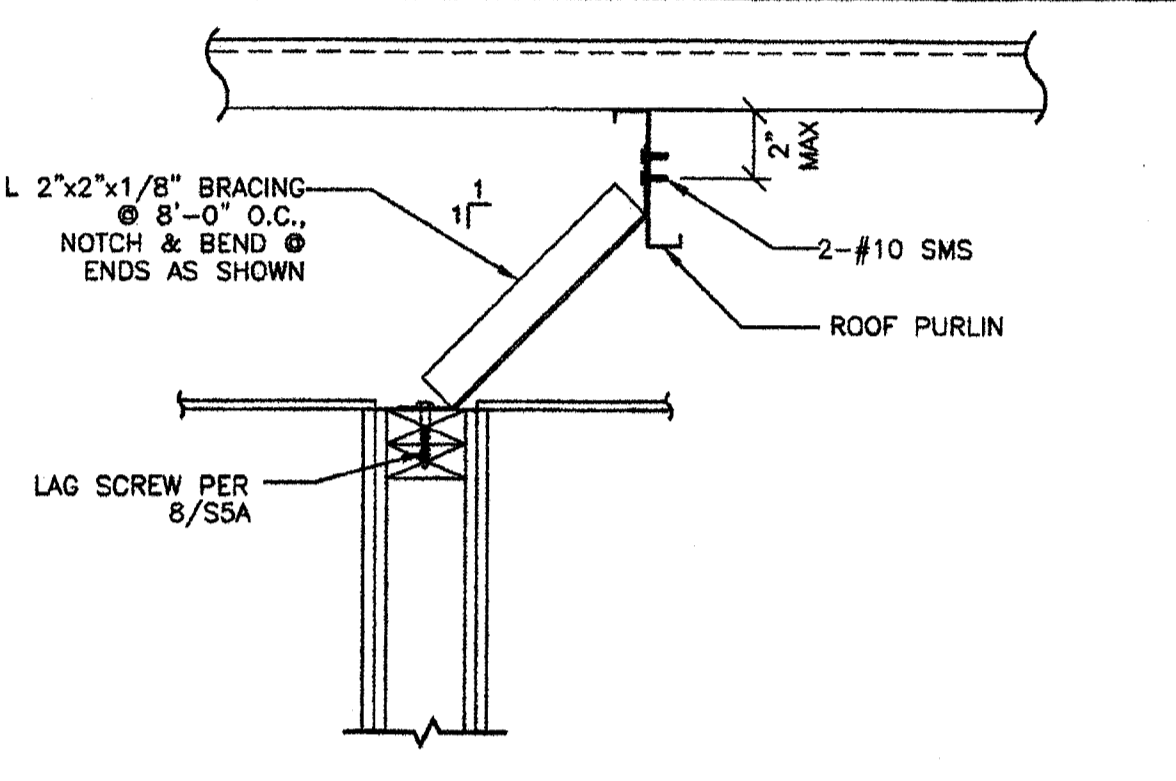
**8 TYP. INTERIOR WALL BRACING (INTERIOR PARTITION BRACING)**  
SSA 1 1/2"=1'-0"



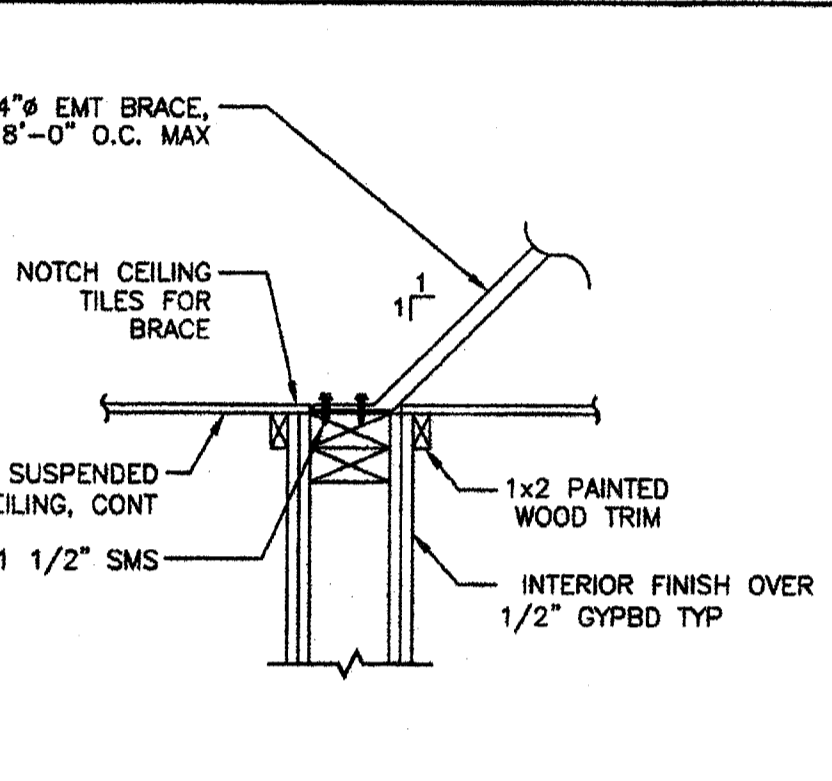
**11 ALT. INTERIOR WALL ATTACHMENT**  
SSA 1 1/2"=1'-0"



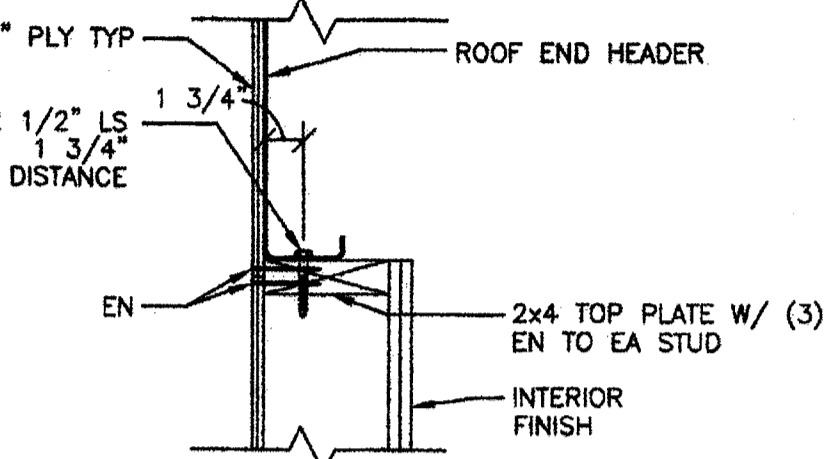
**2 WALL TO COLUMN TYP DETAIL @ CORNER**  
SSA 1 1/2"=1'-0"



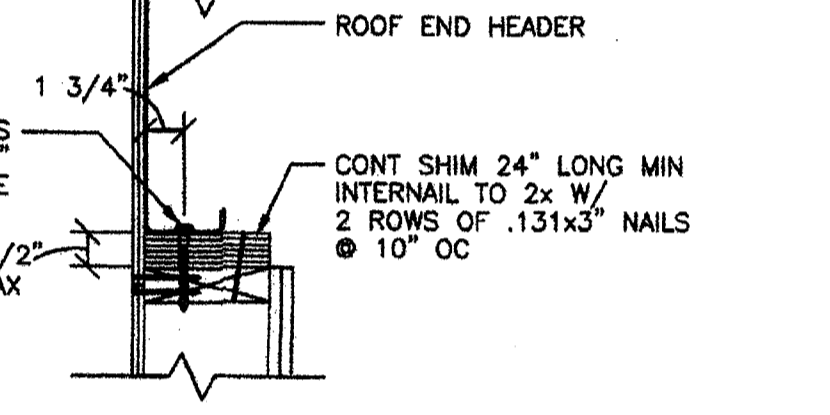
**6 TYP. INTERIOR WALL BRACING (BRACE PERPENDICULAR TO PURLINS)**  
SSA 1 1/2"=1'-0"



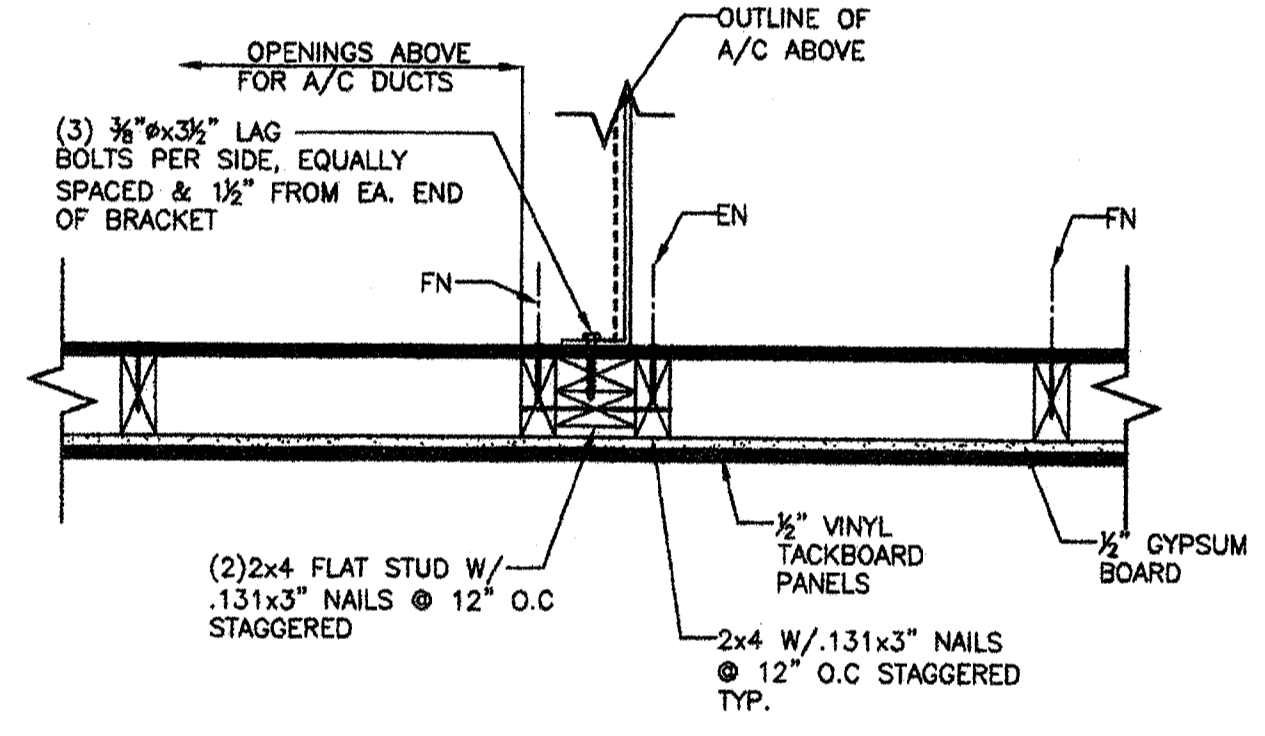
**9 ALT. INTERIOR WALL BRACING (INTERIOR PARTITION BRACING w/EMT BRACING)**  
SSA 1 1/2"=1'-0"



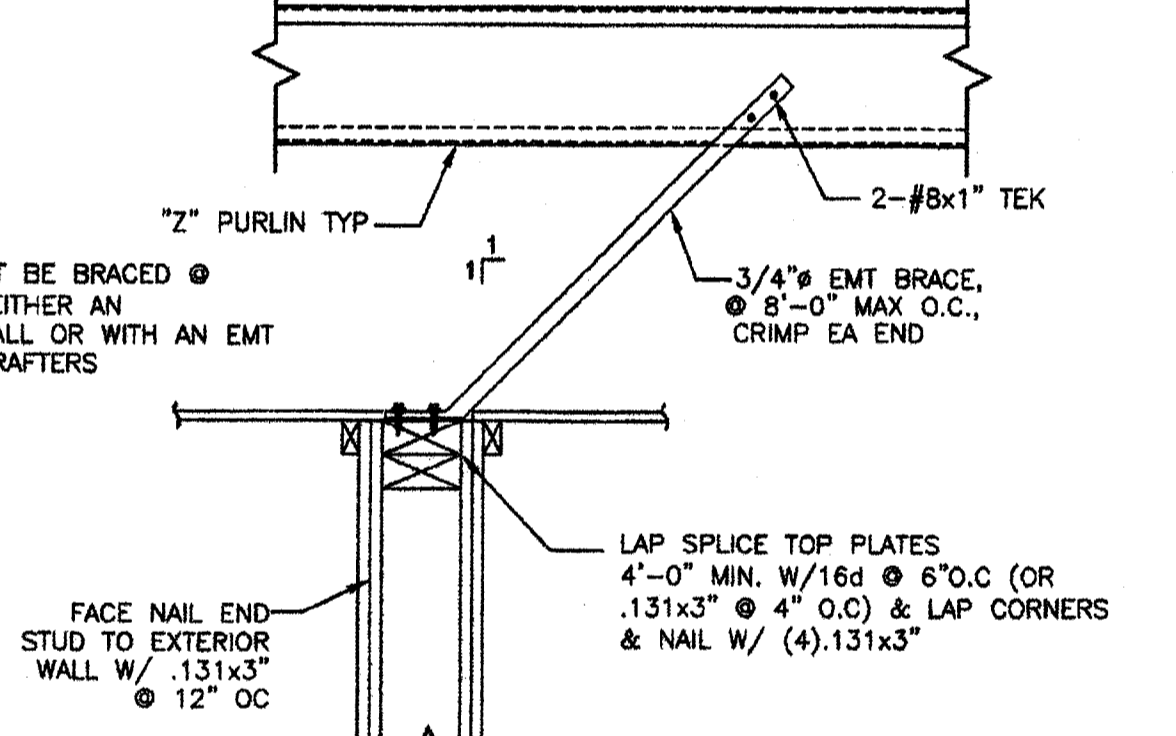
**12 END WALL TO ROOF BEAM DETAIL**  
SSA 1 1/2"=1'-0"



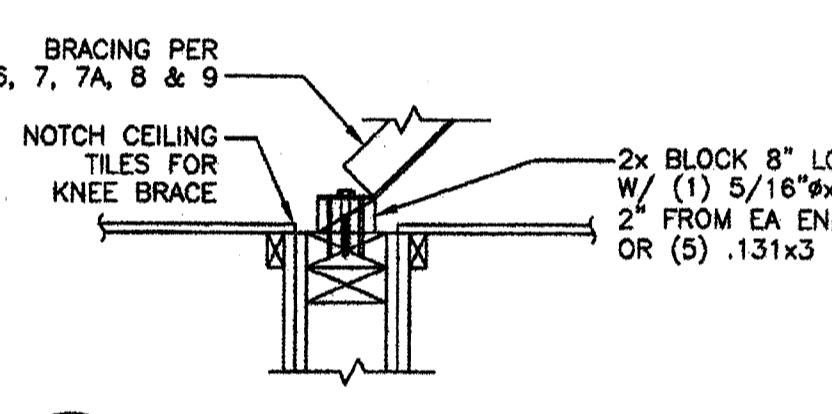
**13 END WALL TO ROOF BEAM DETAIL WITH SHIM CONDITION**  
SSA 1 1/2"=1'-0"



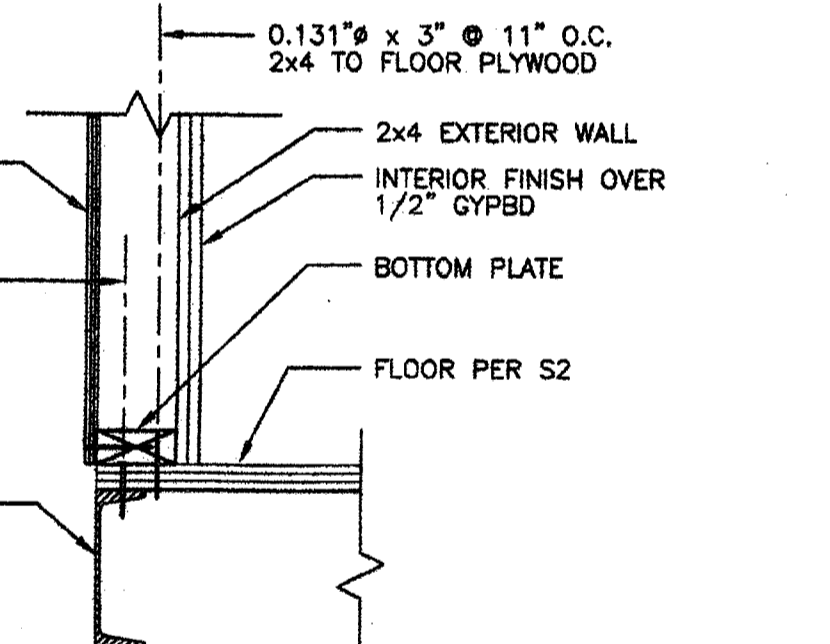
**3 WALL HUNG HVAC DETAIL ATTACHMENT**  
SSA 1 1/2"=1'-0"



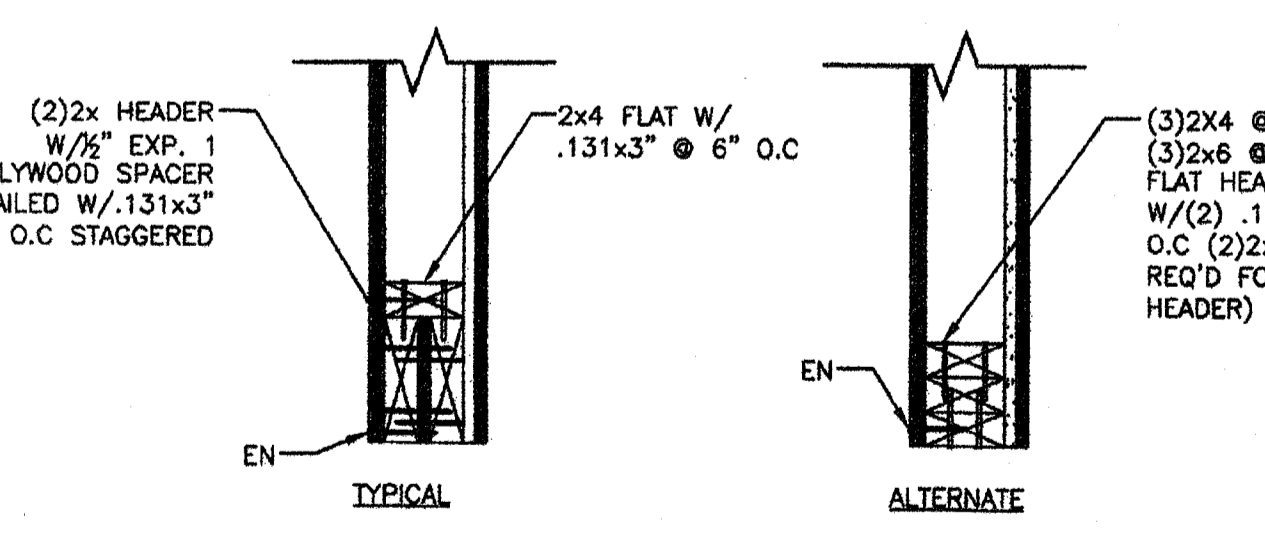
**7 ALT. INTERIOR WALL BRACING w/EMT BRACE (BRACE PARALLEL TO PURLINS)**  
SSA 1 1/2"=1'-0"



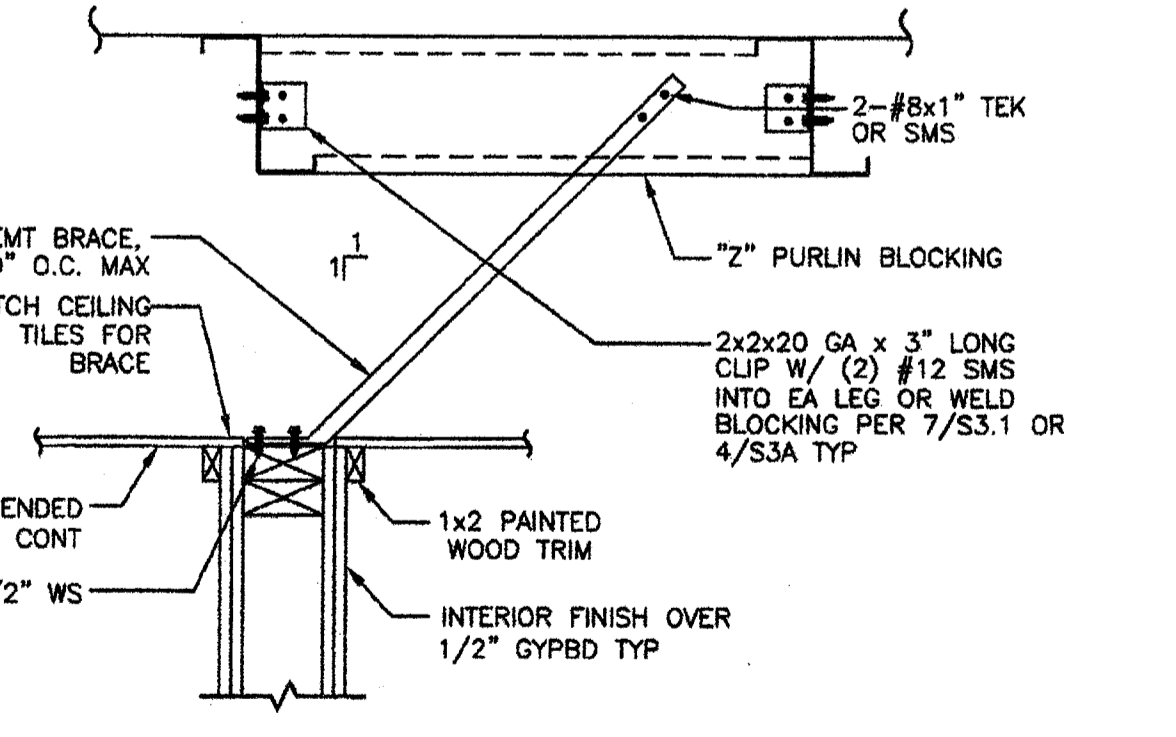
**10 ALT BLOCKING @ INT WALL BRACING**  
SSA 1 1/2"=1'-0"



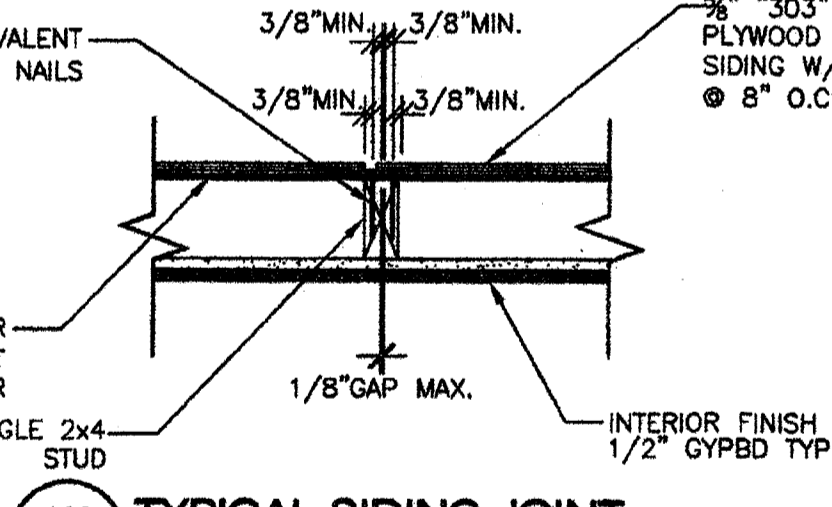
**14 WALL TO FLOOR ATTACHMENT TYP DETAIL (CONCRETE FLOOR SYSTEM)**  
SSA 1 1/2"=1'-0"



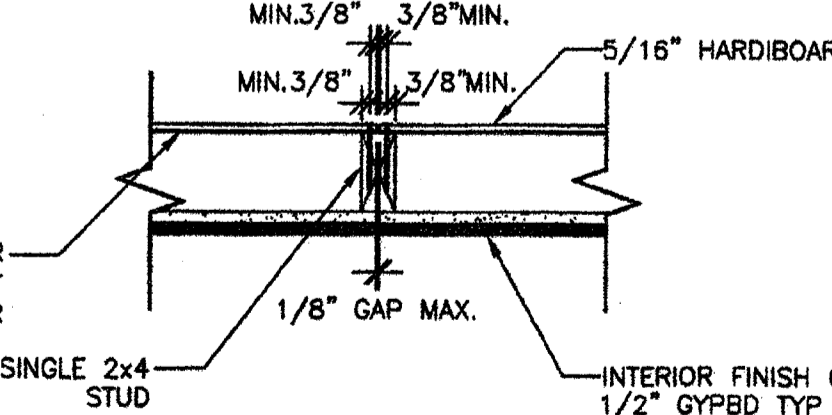
**4 WALL HEADER DETAILS AND ALTERNATE**  
SSA 1 1/2"=1'-0"



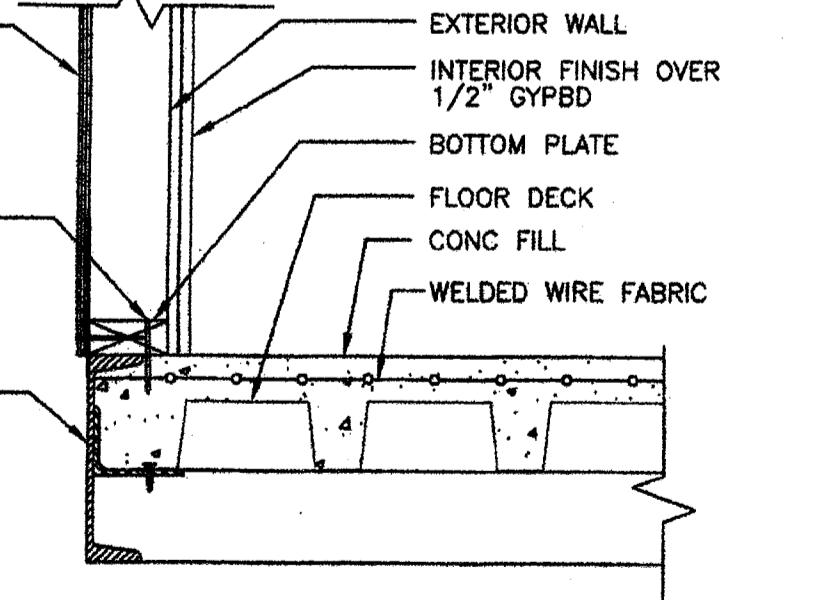
**7A ALT. INTERIOR WALL BRACING w/EMT BRACE (BRACE PERPENDICULAR TO PURLINS)**  
SSA 1 1/2"=1'-0"



**10A TYPICAL SIDING JOINT**  
SSA 1 1/2"=1'-0"



**10B TYPICAL HARDIBOARD JOINT**  
SSA 1 1/2"=1'-0"



**15 WALL TO FLOOR ATTACHMENT TYP DETAIL (CONCRETE FLOOR SYSTEM)**  
SSA 1 1/2"=1'-0"

REVISIONS		
NO	DATE	DESCRIPTION

DATE: 02/06/08  
SCALE: NOTED  
DRAWN BY: DM  
SERIAL NO.:

CUSTOMER:  
2:12 PITCHED ROOF 24' x 40' THRU 120' x 40' RELOCATABLE BUILDINGS WALL FRAMING DETAILS

**AMS**  
American Modular Systems Inc.  
787 Sprackels Ave. Manteca, CA 95238  
(209)925-1921 Fax: (209)925-7018  
americanmodular.com

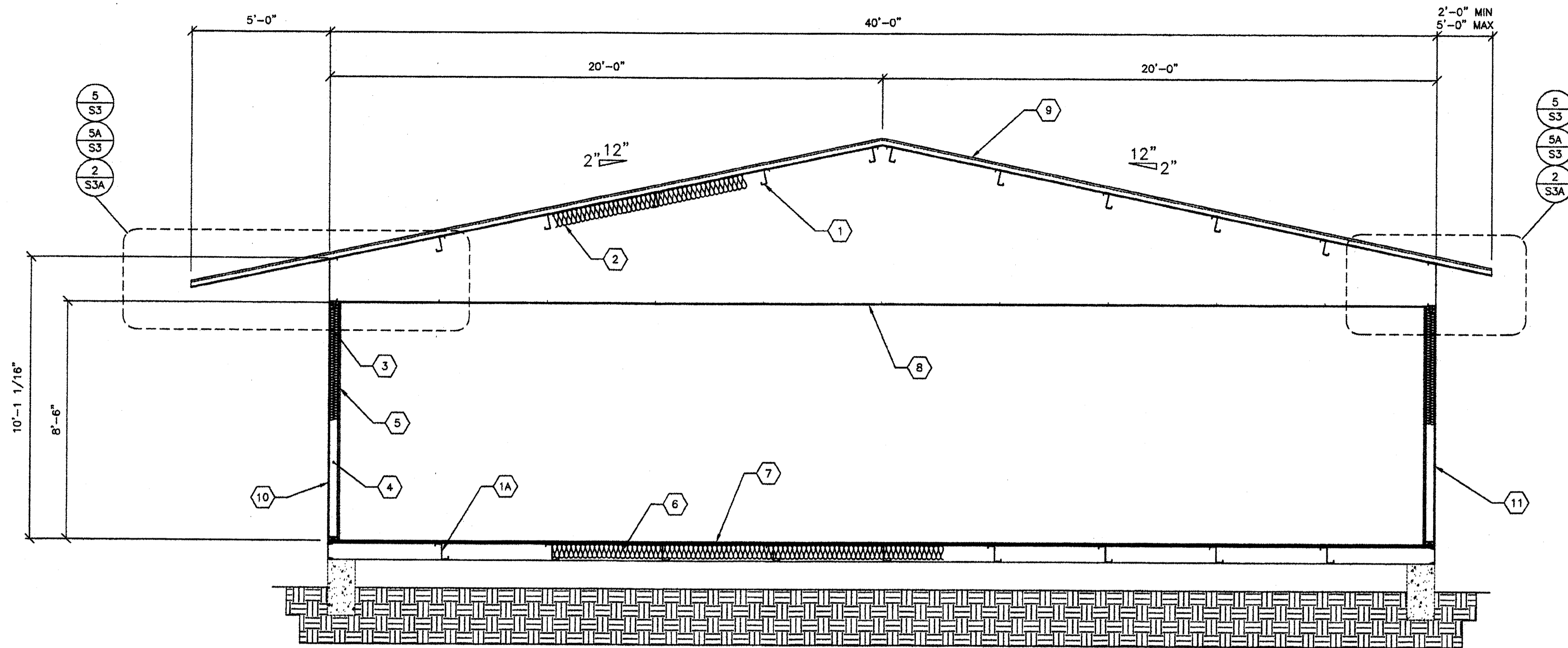
APPROVALS:  
THESE DRAWINGS ARE PRELIMINARY AND NOT FOR CONSTRUCTION UNLESS STAMPED & SIGNED BY THE ENGINEER OF RECORD.

REGISTRED PROFESSIONAL ENGINEER  
Kenneth A. Lutzke  
No. 4418  
EXP. 3-31-09  
Structural Engineer  
STATE OF CALIFORNIA

IDENTIFICATION STAMP  
DIV. OF THE STATE ARCHITECT  
OFFICE OF REGULATION SERVICES  
PC 02-106695  
DATE: 3/23/2009

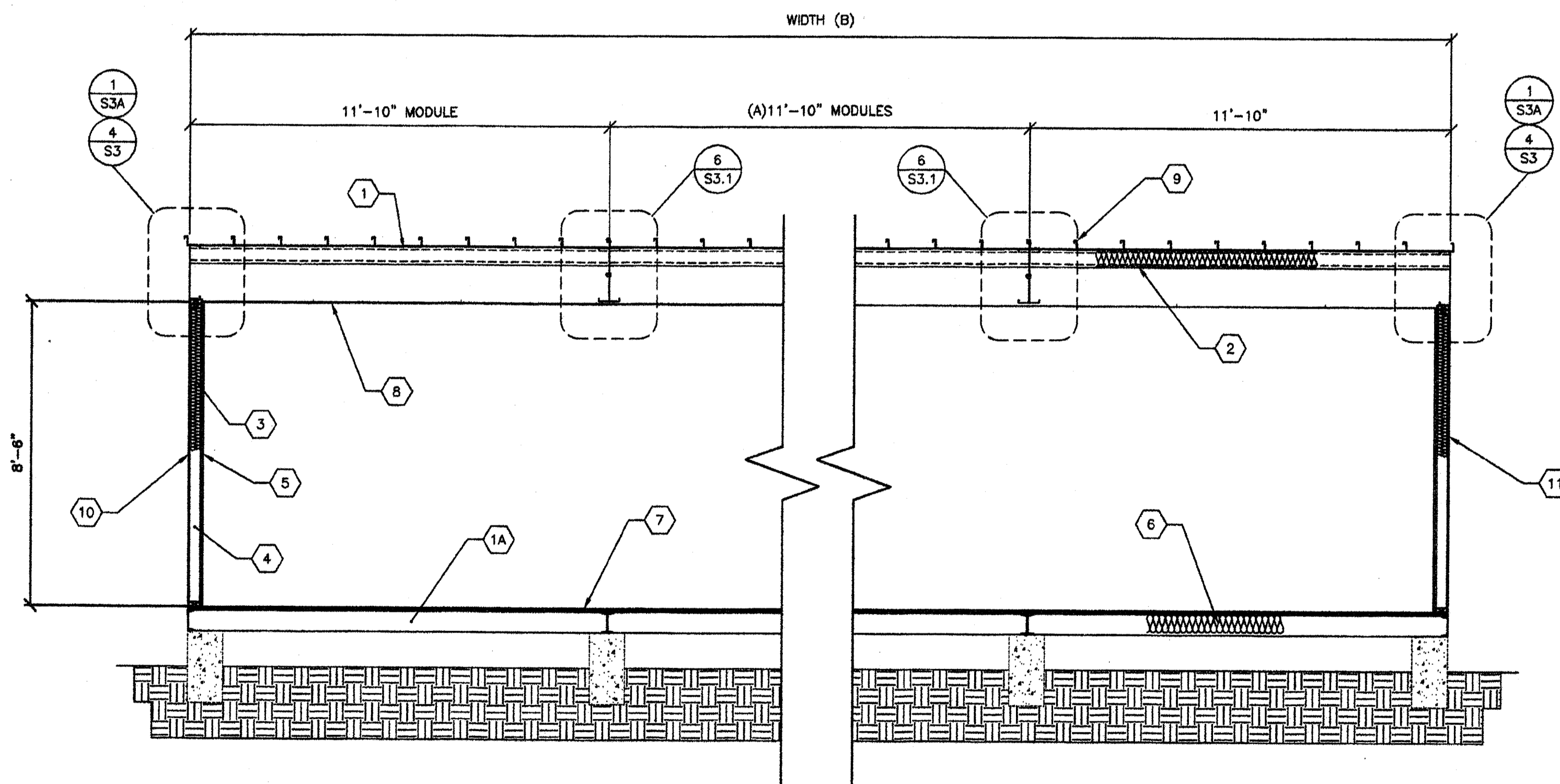
PROJECT NO.  
**S5A**

THESE DRAWINGS AND SPECIFICATIONS ARE THE PROPERTY OF AMERICAN MODULAR SYSTEMS AND ARE NOT TO BE REPRODUCED, COPIED OR IN ANY FORM OR MANNER, NOR ARE THEY TO BE ASSIGNED TO ANY THIRD PARTY WITHOUT THE WRITTEN AUTHORIZATION OF AMERICAN MODULAR SYSTEMS.



A TYP. LONGITUDINAL SECTION  
3/8"=1'-0"

- KEY NOTES -**
- 1 "Z" PURLINS @ 48" O.C
  - 1A STEEL "Z" FLOOR JOISTS @ 48" O.C.
  - 2 R-19 INSULATION w/22 GA WIRE @ 16" O.C
  - 3 INSULATION w/KRAFT PAPER
  - 4 2x STUDS PER ELEV, S5
  - 5 VINYL FABRIC ON RIGID TACKABLE BACKING, 8'-6" PANELS
  - 6 INSULATION w/KRAFT PAPER AND CHICKEN WIRE
  - 7 1 1/2" PLYWOOD FLOOR SHEATHING FOR ALT SEE SHEET S2, S2A, S2B, S2C
  - 8 SUSPENDED T-BAR CEILING
  - 9 METAL ROOF PANELS SEE ROOF FRAMING PLAN
  - 10 TYPICAL PLYWOOD NAILING .131x2 1/2" GALV @ 6" O.C PANEL EDGES (ALL EDGES BLOCKED). 131x2 1/2" GALV @ 12" O.C FIELD
  - 11 EXTERIOR WALL FINISH PER EXTERIOR ELEVATIONS



B TYP. TRANSVERSE SECTION  
3/8"=1'-0"

**- MODULE SCHEDULE -**

BLDG SIZE (FT)	TOTAL # OF 12" WIDE MODULES	"A" TOTAL # OF CENTER MODULES	"B" TOTAL BLDG WIDTH
24' x 40'	2	0	23'-8 1/4"
36' x 40'	3	1	35'-6 1/2"
48' x 40'	4	2	47'-4 3/4"
60' x 40'	5	3	59'-3"
72' x 40'	6	4	71'-1 1/4"
84' x 40'	7	5	82'-11 1/2"
96' x 40'	8	6	94'-9 3/4"
108' x 40'	9	7	106'-8"
120' x 40'	10	8	118'-6 1/4"

IDENTIFICATION STAMP  
DIV. OF THE STATE ARCHITECT  
05-112985  
AC FL3 SS2A  
DATE SEP 24 2008

**REVISIONS**

NO	DATE	DESCRIPTION

DATE: 02/05/08  
SCALE: NOTED  
DRAWN BY: DM  
SERIAL NO.:

CUSTOMER:  
2:12 PITCHED ROOF 24' x 40' THRU 120' x 40' RELOCATABLE BUILDINGS  
BUILDING SECTIONS

**AMS**  
American Modular Systems Inc.  
787 Sprackles Ave. Manteca, CA 95336  
(209)825-1981 Fax (209)825-7018  
americanmodular.com

APPROVALS:  
Kenneth A. Lathol  
No. 1418  
EXP. 3-31-09  
Structural Engineer  
STATE OF CALIFORNIA

IDENTIFICATION STAMP  
DIV. OF THE STATE ARCHITECT  
OFFICE OF REGULATION SERVICES  
PC 02-109695  
AC FL3 SS2A  
DATE 3/23/2009  
PROJECT NO.  
**S7**

THESE DRAWINGS AND SPECIFICATIONS ARE THE PROPERTY OF AMERICAN MODULAR SYSTEMS AND ARE NOT TO BE REPRODUCED, CHANGED OR COPIED IN ANY FORM OR MANNER, NOR ARE THEY TO BE ASSIGNED TO ANY THIRD PARTY WITHOUT THE WRITTEN AUTHORIZATION OF AMERICAN MODULAR SYSTEMS.