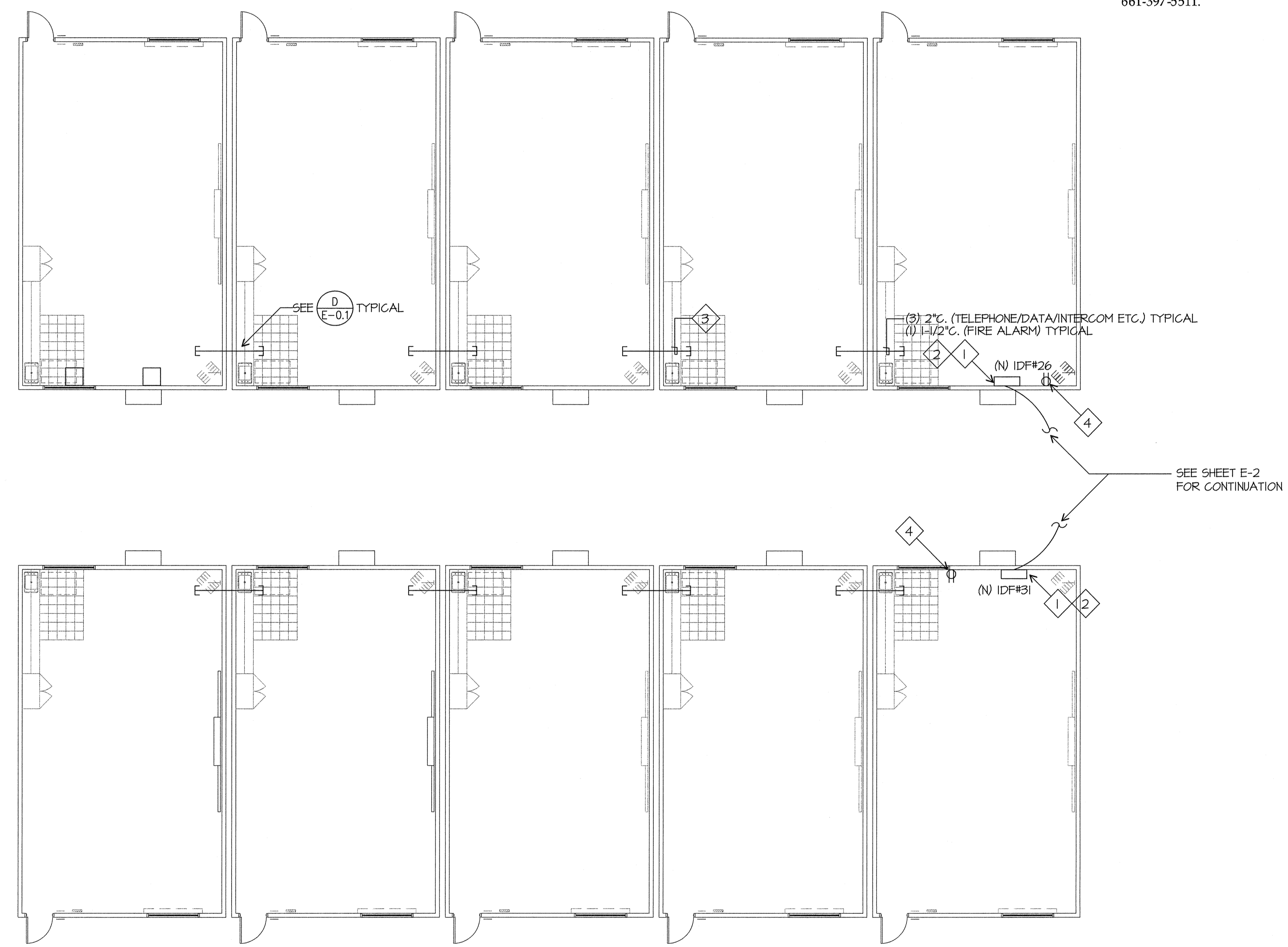
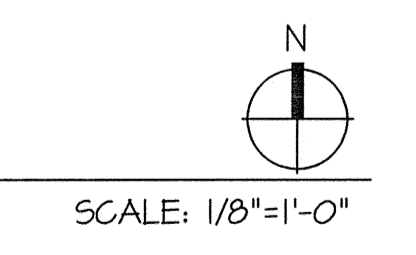


COMMUNICATION PLAN



COMMUNICATION PLAN NOTES

- 1 CONNECT TO SPARE 20/1 CIRCUIT BREAKER IN PANEL PROVIDED WITH CLASSROOM.
- 2 PROVIDE (1) RE4 EQUIPMENT CABINETS WITH (1) 48 PORT PATCH PANEL, AMO BCSD CONNECTORS, BY HUBBELL COMPANY. COORDINATE WITH GARY TAYLOR, NETWORK SYSTEMS ENGINEER FOR BAKERSFIELD CITY SCHOOL DISTRICT, 661-631-4745.
- 3 SUPPORT CABLE EVERY 5' VIA J-HOOKS, INSTALLED AT LEAST 8" ABOVE CEILING ON PERIMETER WALLS, TYPICAL.
- 4 ADD RECEPTACLE NEXT TO (N) IDF. PROVIDE 20/1 CIRCUIT BREAKER FROM PANEL PROVIDED WITH PORTABLE. PROVIDE MATERIALS NEEDED FOR DEDICATED CIRCUIT TO BE USED FOR INTRUSION POWER SUPPLY. COORDINATE REQUIREMENTS WITH BAKERSFIELD CITY SCHOOL VENDOR MORGAN CLAYTON, 661-397-5511.



Ownership of Documents
 This document, the ideas and designs incorporated herein, as an instrument of Professional Service is the property of Integrated Designs by SOMAM Inc. and is not to be used, in whole or in part for any other project without written authorization.
 © COPYRIGHT 2009

integrated designs by SOMAM, Inc.
 ARCHITECTURE • ENGINEERING • INTERIOR DESIGN • CONSTRUCTION MANAGEMENT
 6011 N. Fresno, Suite 130 - Fresno, California 93710
 Phone (559) 438-0881 Fax (559) 438-0887 E-Mail: design@somam.com
 www.integrateddesigns.com

Revision:	Revision Description:	Rev. Date:	Rev. Date:

Sheet Title:
COMMUNICATION PLAN

Project Name & Address:
**MUNSEY ELEMENTARY SCHOOL
 10 NEW PORTABLE CLASSROOMS**
 BAKERSFIELD CITY SCHOOL DISTRICT
 3801 BRAVE AVE. BAKERSFIELD, CA 93309

Issue Date:
 Date: 05/02/06
 Designer: DESIGNER
 DR: DRAFTER
 PC: CJM

DSA Identification Stamp:

IDENTIFICATION STAMP
 DIV. OF THE STATE ARCHITECT
 CA 112985
 AC 113
 DATE 7 SEP 24 2006

Stamp(s):

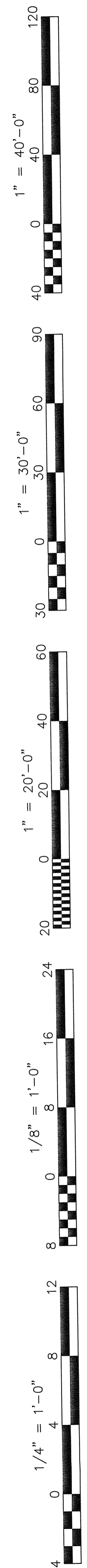
Job No.: **3832**

Sheet No.: **E-2.1**

JMPE
 ELECTRICAL ENGINEERING
 LIGHTING DESIGN
 CA REGISTRATION NO. E10083
 09082

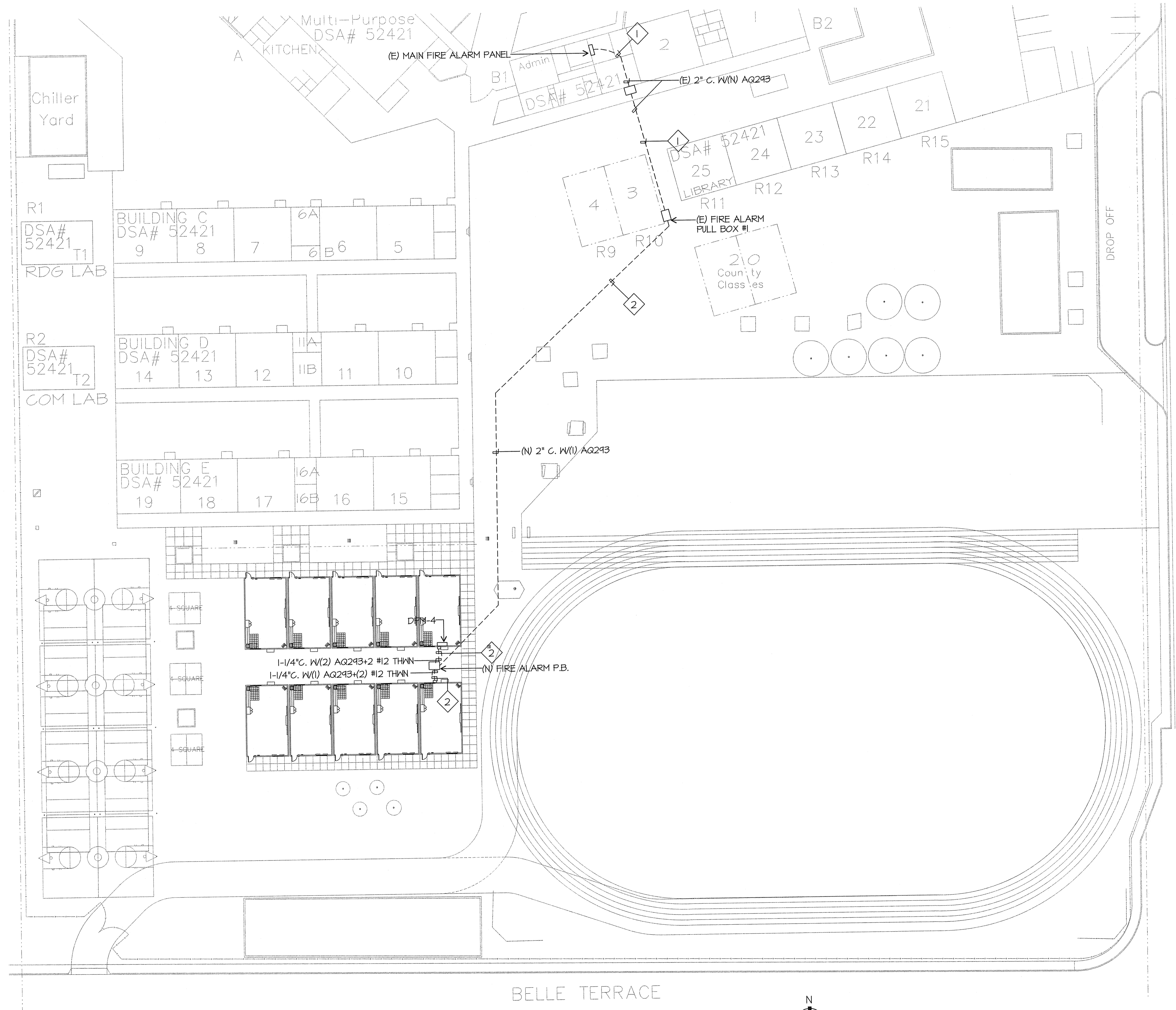
3000 KING AVENUE
 SUITE 205
 BAKERSFIELD, CA 93309
 (805) 831-7851
 FAX (805) 831-7813
 email: jmaloney@jmpe.net
 www.jmpe.net

Professional Engineer
 Curtis E. Flynn
 No. C 29966
 State of California

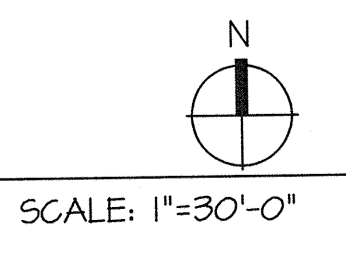


SITE FIRE ALARM PLAN NOTES

- 1 PULL NEW CABLES IN EXISTING CONDUIT. PULL PAST EXISTING CABLES.
- 2 SAWCUT AND REPAIR TO MATCH EXISTING. BORING IS AN ACCEPTABLE METHOD OF CONDUIT INSTALLATION. PROVIDE METHOD OF PROCEDURE FOR BORING TO ENGINEER FOR REVIEW AND APPROVAL. DETAIL BORING PROCEDURE. IDENTIFY TYPE OF CONDUIT TO BE USED IN BORE.



SITE FIRE ALARM PLAN



Ownership of Documents
 This document, the ideas and designs incorporated herein, as an instrument of Professional Service is the property of Integrated Designs by SOMAM, Inc. and is not to be used, in whole or in part for any other project without written authorization.
 © COPYRIGHT 2009

integrated designs by SOMAM, Inc.
 ARCHITECTURE • INTERIOR DESIGN • CONSTRUCTION MANAGEMENT
 6011 N. Fresno, Suite 130 - Fresno, California 93710
 Phone (559) 436-0881 Fax (559) 436-0887 E-Mail: design@somam.com
 www.integrateddesigns.com

Revision	Rev. Date	Revision Description

Sheet Title:
SITE FIRE ALARM PLAN

Project Name & Address:
MUNSEY ELEMENTARY SCHOOLS
10 NEW PORTABLE CLASSROOMS
 BAKERSFIELD CITY SCHOOL DISTRICT
 3801 BRAVE AVE. BAKERSFIELD, CA 93309

Issue Date: 05/02/06
 Designer: DESIGNER
 DR: DRAFTER
 FC: CJM

DSA Identification Stamp:
 IDENTIFICATION STAMP
 DIV. OF THE STATE ARCHITECT
 OS-112985
 AC FIS 88
 DATE SEP 21 2009

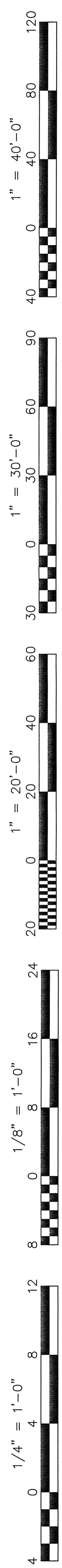
Stamp(s):

Job No.: **3832**

Sheet No.: **E-3**

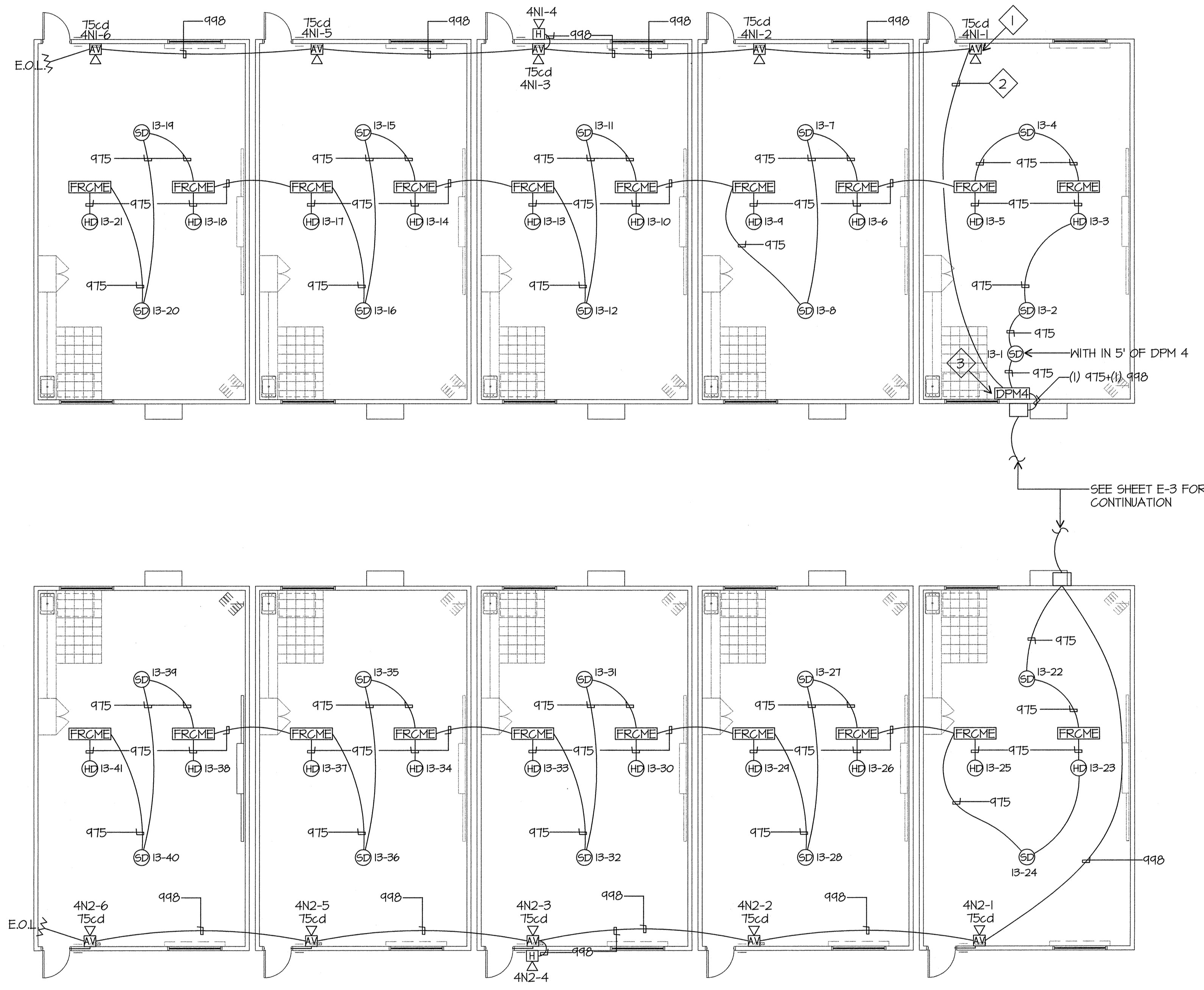
JMPE
 ELECTRICAL ENGINEERING
 LIGHTING DESIGN
 CA REGISTRATION NO. E13008
 04082
 4500 KING AVENUE,
 SUITE 201
 BAKERSFIELD, CA 93309
 (805) 831-7001
 FAX (805) 831-7002
 EMAIL: maloney@jmpe.net
 www.jmpe.net

REGISTERED ARCHITECT
CURTIS E. McNALLY
 No. C 28966
 PEN. 5-31-09
 STATE OF CALIFORNIA

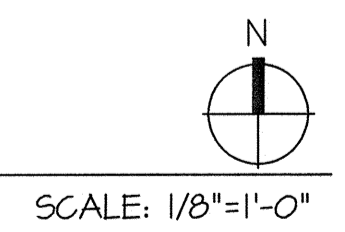


FIRE ALARM PLAN NOTES

- 1 FIRE ALARM CABLE SHALL BE INSTALLED IN 3/4" CONDUIT IN WALLS, TYPICAL.
- 2 SUPPORT FIRE ALARM CABLE EVERY 5' VIA J-HOOKS INSTALLED AT LEAST 8" ABOVE CEILING ON PERIMETER WALLS, TYPICAL.
- 3 PROVIDE 20/1 CIRCUIT BREAKER PER NFPA 72 FOR DPM.



FIRE ALARM PLAN



Ownership of Documents
 This document, the ideas and designs incorporated herein, as an instrument of Professional Service is the property of Integrated Designs by SOMAM Inc. and is not to be used, in whole or in part for any other project without written authorization.
 © COPYRIGHT 2009

integrated designs by SOMAM, Inc.
 ARCHITECTURE - ENGINEERING - INTERIOR DESIGN - CONSTRUCTION MANAGEMENT
 6011 N. Fresno, Suite 130 - Fresno, California 93710
 Phone: (559) 438-0881 Fax: (559) 438-0887 E-Mail: design@somam.com
 www.integrateddesigns.com

Revision	Revision Description	Rev. Date

FIRE ALARM PLAN

Project Name & Address:
MUNSEY ELEMENTARY SCHOOL
10 NEW PORTABLE CLASSROOMS
 BAKERSFIELD CITY SCHOOL DISTRICT
 3801 BRAVE AVE. BAKERSFIELD, CA 93309

Issue Date: 05/02/06
 Date: 05/02/06
 Designer: DR: C/JM
 Drafter: FC: C/JM

DSA Identification Stamp:

IDENTIFICATION STAMP
 DIV. OF THE STATE ARCHITECT
 PS-112985
 AC-138
 DATE: SEP 24 2006

Stamp(s):

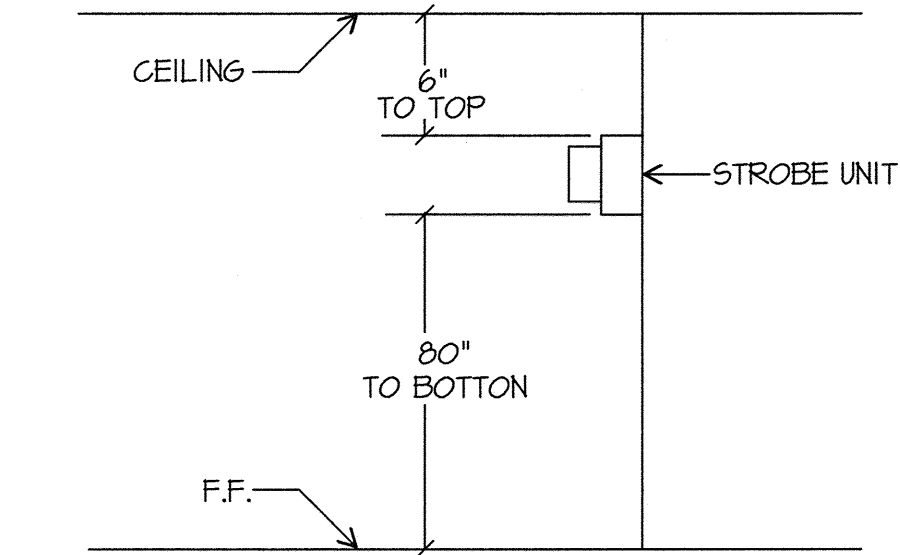
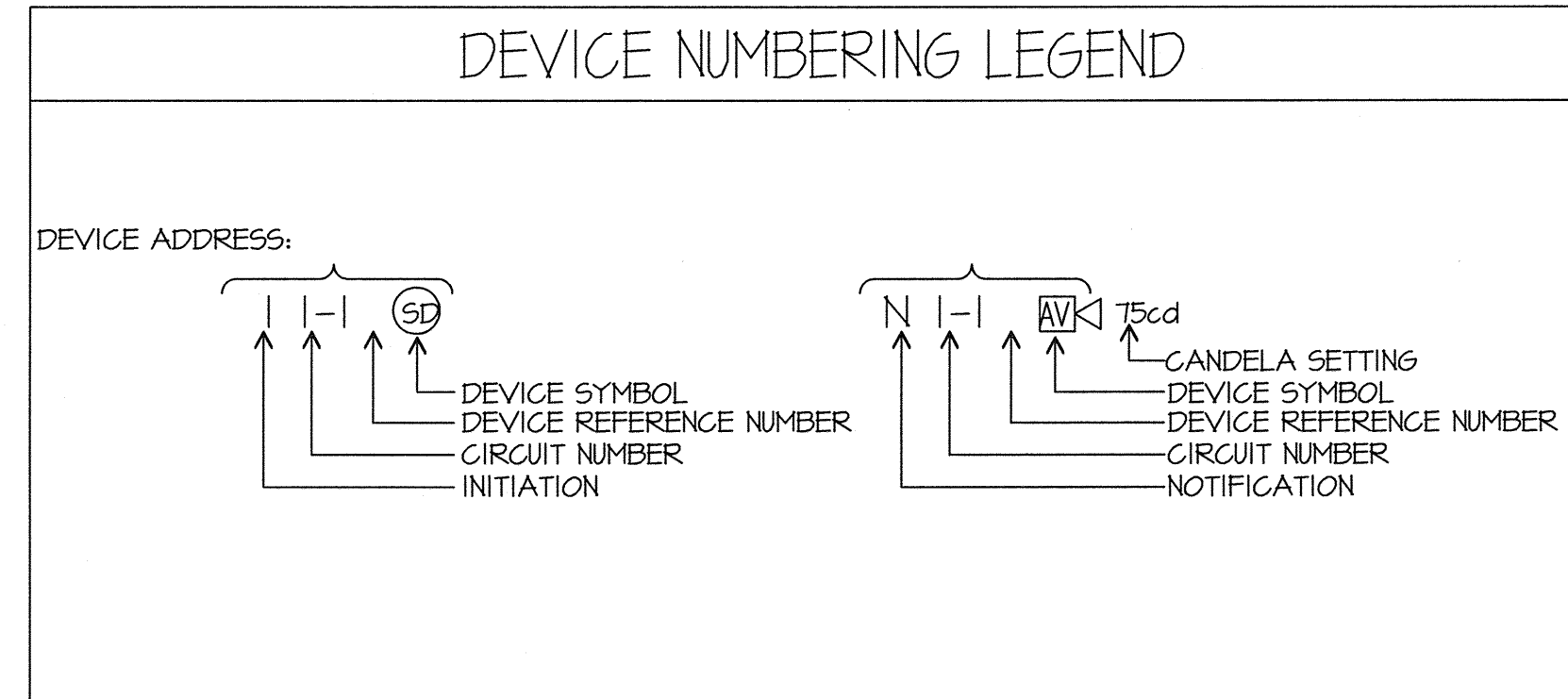
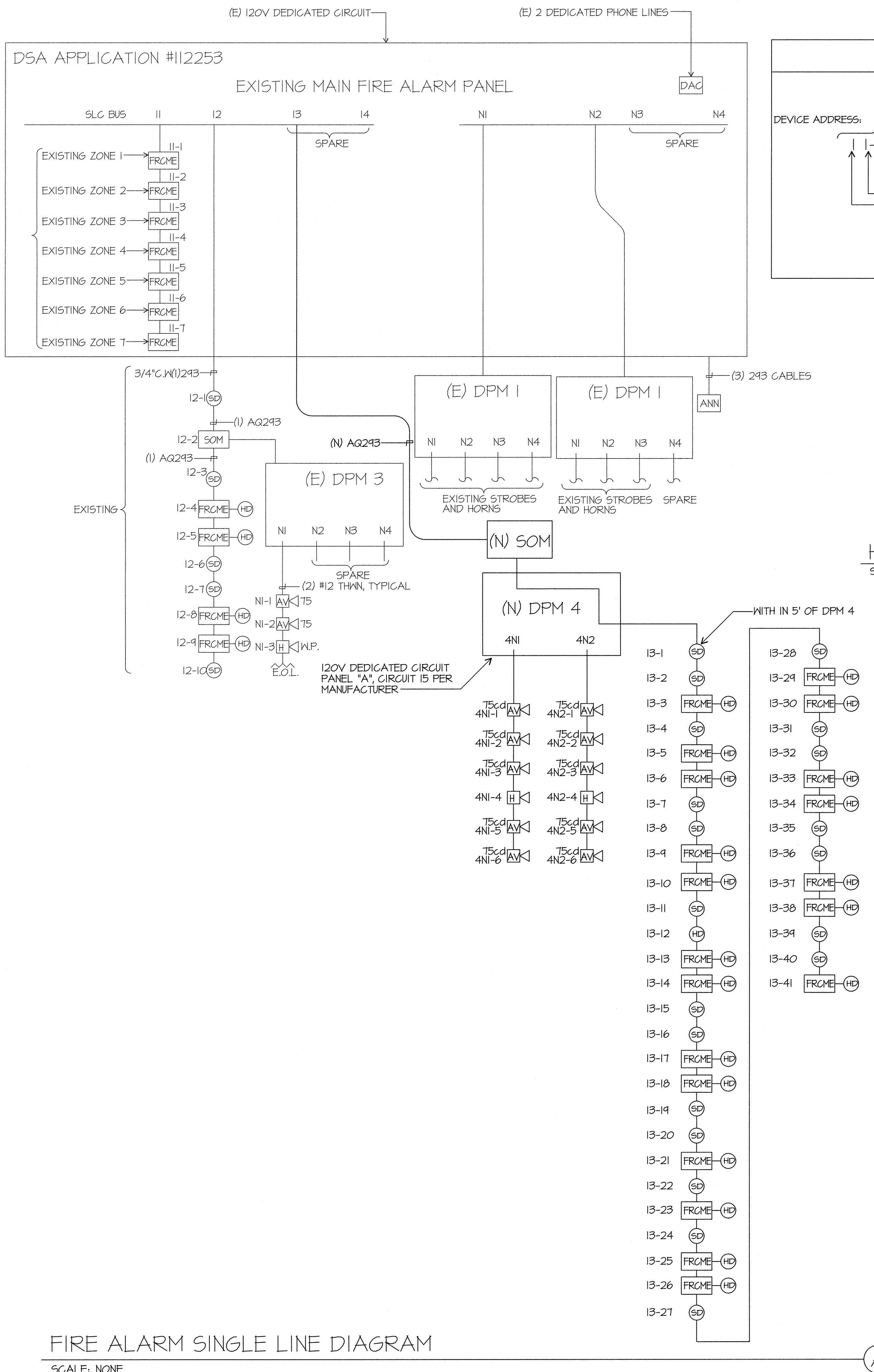
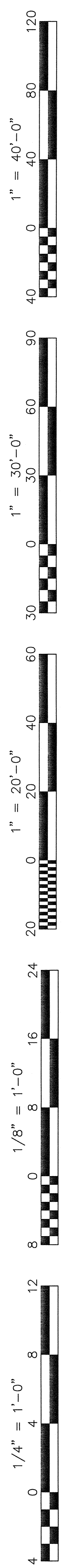
Job No.: **3832**

Sheet No.: **E-3.1**

Release: CURTIS MCNALLY

JMPE
 LICENSED PROFESSIONAL ELECTRICAL ENGINEER
 LICENSE NO. 09082

5500 MISSION AVENUE, SUITE 301, BAKERSFIELD, CA 93309
 (559) 831-7855
 FAX (559) 831-7815
 email: jmalone@jmpe.net www.jmpe.net



HORN/STROBE MOUNTING DETAIL
SCALE: NONE

CONTRACTOR SHALL DISCONNECT AND RECONNECT ALL ZONES ASSOCIATED WITH EXISTING BUILDINGS ON CAMPUS AND PROVIDE TESTING FOR POSITIVE REPORTING. PROVIDE FIRE WATCH DURING IMPAIRMENT OF SYSTEM, PER NFPA & CFC (CHAPTER 14 + 4)

FIRE ALARM BATTERY CALCULATION-EXISTING MASTER PANEL FIRENET 2127

EQUIPMENT DESCRIPTION	QUANTITY		SUPERVISORY CURRENT (AMPERES)		ALARM CURRENT (AMPERES)	
	EXISTING	NEW	EACH	SUB-TOTAL	EACH	SUB-TOTAL
MASTER PANEL	1		0.1	0.1	0.1	0.1
REMOTE ANNUNCIATOR PANEL	1		0.15	0.15	0.27	0.27
SUPERVISED OUTPUT MODULE	3	1	0.0003	0.0012	0.0003	0.0012
FAST RESPONSE CONTACT MODULE	11	20	0.00055	0.01705	0.008	0.248
DIGITAL ALARM COMMUNICATOR	1		0.02	0.02	0.02	0.02
SMOKE DETECTOR	3	21	0.00039	0.00936	0.00039	0.00936
HEAT DETECTOR	4	20	0.00035	0.0084	0.00035	0.0084
SUB TOTAL AMPERES				0.30601 AMPS		0.65696 AMPS
SUB TOTAL AMPERE-HOURS				x 24 HOURS		x 0.084 HOURS
				7.34424 A.H.		0.055185 A.H.
TOTAL REQUIRED AMPERE-HOURS FOR DISTRIBUTED POWER MODULE						7.399425 A.H.
BATTERY NON-LINEAR DISCHARGE CHARACTERISTIC FACTOR						x 1.2
TOTAL MINIMUM AMPERE HOURS REQUIRED						8.87931 A.H.
EXISTING BATTERY CAPACITY						24.00 A.H.

FIRE ALARM BATTERY CALCULATION-NEW DISTRIBUTED POWER MODULE 4

EQUIPMENT DESCRIPTION	QUANTITY		SUPERVISORY CURRENT (AMPERES)		ALARM CURRENT (AMPERES)	
	EXISTING	NEW	EACH	SUB-TOTAL	EACH	SUB-TOTAL
DISTRIBUTED POWER MODULE		1	0.075	0.075	0.175	0.175
AUDIBLE/VISUALS	75	10			0.121	1.21
HORN EXTERIOR		2			0.062	0.124
SUB TOTAL AMPERES				0.075 AMPS		1.509 AMPS
SUB TOTAL AMPERE-HOURS				x 24 HOURS		x 0.084 HOURS
				1.8 A.H.		0.126756 A.H.
TOTAL REQUIRED AMPERE-HOURS FOR DISTRIBUTED POWER MODULE						1.926756 A.H.
BATTERY NON-LINEAR DISCHARGE CHARACTERISTIC FACTOR						x 1.2
TOTAL MINIMUM AMPERE HOURS REQUIRED						2.312107 A.H.
PROVIDED BATTERY CAPACITY						7.00 A.H.

FIRE ALARM SYMBOL LIST MATRIX

SYMBOL	DEVICE	MFR & CAT#	REMARKS	CSFM LISTING
DPM	NAC POWER EXTENDER	HOCHIKI FN-642-ULADA		7315-0410:171
SD	SMOKE DETECTOR	HOCHIKI ALG-V	WITH HSB-NSA-6 BASE	7272-0410:149
HD	HEAT DETECTOR	HOCHIKI DFE-190	WITH NS6-100 BASE	7270-0410:119
FRCME	FAST RESPONSE CONTACT MODULE	HOCHIKI DCP-FRCME		7300-0410:150
SOM	SUPERVISED OUTPUT MODULE	HOCHIKI SOM		7300-0410:150
AV	HORN STROBE	WHELOCK AS24MCW 90dBA		7125-0785:131
H W.P.	HORN	WHELOCK ASWP 99dBA	EXTERIOR W.P. HORN	7125-0785:131

FIRE ALARM SEQUENCE OF OPERATION

INITIATION	AREA SMOKE DETECTOR	AREA THERMAL DETECTOR	AC POWER FAILURE
RESPONSE			
ANNUNCIATE AT FIRE CONTROL ROOM	YES	YES	YES (TROUBLE)
ALARM AND TROUBLE			
ANNUNCIATE AT 24 HOUR ATTEND LOCATION	YES	YES	YES (TROUBLE)
ALARM			
ANNUNCIATE AT 24 HOUR ATTEND LOCATION	YES	YES	YES (TROUBLE)
ALARM			
CENTRAL STATION MONITORING	YES	YES	YES

VOLTAGE DROP CALCULATIONS

CIRCUIT	2x	LENGTH x	AMPS x	RESISTANCE x	= VOLTS	VOLTAGE DROP
4N1	2	150	0.667	0.00205	0.410	1.71 %
4N2	2	170	0.667	0.00205	0.465	1.94 %

FIRE ALARM SINGLE LINE DIAGRAM
SCALE: NONE

Ownership of Documents
This document, the ideas and designs incorporated herein, as an instrument of Professional Service is the property of Integrated Designs by SOMAM Inc. and is not to be used, in whole or in part for any other project without written authorization.
© COPYRIGHT 2009

integrated designs by SOMAM, Inc.
ARCHITECTURE - ENGINEERING - INTERIOR DESIGN - CONSTRUCTION MANAGEMENT
6011 N. Fresno, Suite 130 - Fresno, California 93710
Phone: (559) 436-0881 Fax: (559) 436-0887 E-Mail: design@somam.com
www.integrateddesigns.com

Rev. Date: _____
Revision Description: _____

Sheet Title:
FIRE ALARM SINGLE LINE DIAGRAM CALCULATIONS

Project Name & Address:
**MUNSEY ELEMENTARY SCHOOL
10 NEW PORTABLE CLASSROOMS**
BAKERSFIELD CITY SCHOOL DISTRICT
3801 BRAVE AVE. BAKERSFIELD, CA 93309

Issue Date: _____
Date: 05/02/06
Designer: _____
DR: _____
DRAFTER: _____
FC: CJM

DSA Identification Stamp:

IDENTIFICATION STAMP
DIV. OF THE STATE ARCHITECT
CS-112985
AC [Signature]
DATE: SEP 24 2009

Stamp(s):

JMPE
ELECTRICAL ENGINEERING
LICENSED ARCHITECT
COURTIS E. McNALLY
CA REGISTRATION NO. 013005
09082
5000 MING AVENUE
SUITE 303
BAKERSFIELD, CA 93309
(805) 831-7851
FAX (805) 831-7813
email: malone@jmpe.net
www.jmpe.net

Job No.: **3832**

Sheet No.: **E-3.2**

Release: _____



American Modular Systems Inc.

24' x 40' RELOCATABLE BUILDINGS
BAKERSFIELD CITY SCHOOL DISTRICT
(MUNSEY AND FREMONT ELEMENTARY SCHOOL)

EXPOSED STEEL-2:12 PITCHED ROOF

MODULAR STEEL MOMENT FRAME TEST & INSPECTION GUIDELINE

A SEPARATE TEST AND INSPECTION LIST IS TO BE SUBMITTED AS PART OF THE APPROVAL PROCESS. THIS GUIDE DOES NOT REPLACE THE TEST AND INSPECTION LIST

TYPE OF MODULAR STEEL MOMENT FRAME BUILDING PROJECT

Table with columns: MATERIAL TYPE, DESCRIPTION, STOCKPILE, CONSTRUCTION OF (diaphragm material-foundation material), RELOCATION OF CERTIFIED BUILDING. Rows include: COMPACTED FILL, CONCRETE, REINFORCING STEEL, STRUCTURAL STEEL, GROUNDING, SHOT PINS, EXPANSION ANCHORS, EPOXY ANCHORS, INSPECTOR CLASS, SELECTION OF THE PROJECT INSPECTOR AND TESTING AGENCY, COST OF THE PROJECT INSPECTOR, COPIES OF THE REPORT TO.

BUILDING DATA table with columns: OCCUPANCY, TYPE OF CONSTRUCTION, WIND LOAD, FLOOR LIVE LOAD, ROOF LIVE LOAD, FIRE SPRINKLER SYSTEM WEIGHT (PSF), ALLOWABLE SOIL PRESSURE (PSF), FLOOD HAZARD AREA, BUILDING AREA, CLIMATE ZONES, MODULES, SYSTEM, FOUNDATION TYPE, SEISMIC.

APPLICABLE CODES table listing various codes such as 2007 BUILDING STANDARDS ADMINISTRATIVE CODE, 2007 CALIFORNIA BUILDING CODE (CBC), 2007 CALIFORNIA ELECTRICAL CODE (CEC), etc.

GENERAL NOTES table with 5 numbered notes regarding occupancy classification, testing requirements, and fire hazard zones.

DRAWING INDEX

- TS COVER SHEET
A1 TYPICAL FLOOR PLAN
A3 TYPICAL INTERIOR ELEVATIONS
A3A TYPICAL INTERIOR ELEVATIONS
A5 TYPICAL EXTERIOR ELEVATIONS (SYNTHETIC STUCCO)
A5A ARCHITECTURAL DETAILS (SYNTHETIC STUCCO OPTION)
AD ACCESSIBLE DETAILS
N1 GENERAL NOTES
N2 GENERAL NOTES
P1 ISOMETRIC PLANS & DETAILS
M1 TYPICAL REFLECTED CEILING PLAN
M2 MECHANICAL BUILDING SECTION & CEILING DETAILS
M3 CEILING & MECHANICAL NOTES
E1 TYPICAL ELECTRICAL PLAN
E2 ELECTRICAL NOTES & DETAILS
S1 CONCRETE FOUNDATION PLAN 50 P.S.F. & 50 P.S.F. LIVE LOAD+15 P.S.F. PART. LOAD FLOOR (PLYWOOD OR VIROC FLOOR SYSTEM)
S1C CONCRETE FOOTING DETAILS
S1D CONCRETE FOOTING DETAILS
S2 FLOOR FRAMING PLAN & DETAILS (PLYWOOD)
S3 ROOF FRAMING PLAN & DETAILS (OPEN SOFFIT)
S3.1 ROOF FRAMING PLAN & DETAILS (OPEN SOFFIT)
S3A ROOF FRAMING PLAN & DETAILS (ENCLOSED SOFFIT)
S4 TYPICAL FRAME ELEVATIONS
S5 WALL FRAMING
S5A WALL FRAMING DETAILS
S7 TYPICAL LONGITUDINAL & TRANSVERSE FRAME ELEVATION

ITEMS IN RED FONT COLOR ARE USER NOTES AND INDICATE ITEMS THAT NEED TO BE VERIFIED FOR EACH SPECIFIC PC. THE NOTES IN RED ABOVE AND BELOW ARE TO BE REMOVED PRIOR TO PLACING THE GUIDELINE ON THE DRAWINGS. Note 1: Verify that Either Condition a or b are met. Note 2: Air Content Test as required based on site location (for cold weather conditions). Note 3: Required where the details of the PC specify a Welding. Note 4: Required where the details of the PC specify the use of this type of anchor.

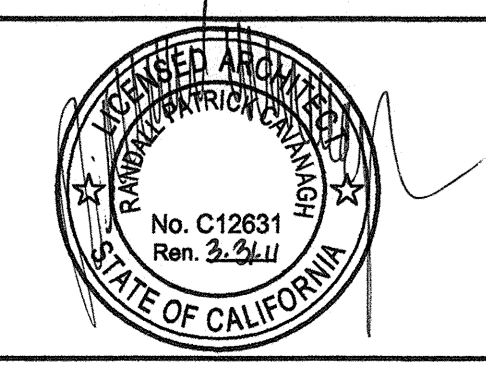
REVISIONS table with columns: NO, DATE, DESCRIPTION.

DATE: 08/13/09
SCALE: NOTED
DRAWN BY: RS
SERIAL NO.:

CUSTOMER: BAKERSFIELD CITY SCHOOL DISTRICT
MUNSEY AND FREMONT ELEMENTARY SCHOOL
2:12 PITCHED ROOF 24' x 40' RELOCATABLE BUILDINGS
COVER SHEET



APPROVALS:



IDENTIFICATION STAMP
DIV. OF THE STATE ARCHITECT
OFFICE OF REGULATION SERVICES
No. C12831
Ren. 3/24/11
AC, FLS, SS
DATE: SEP 24 2009

PROJECT No.
T-S

THESE DRAWINGS AND SPECIFICATIONS ARE THE PROPERTY OF AMERICAN MODULAR SYSTEMS AND ARE NOT TO BE REPRODUCED, CHANGED OR COPIED IN ANY FORM OR MANNER, NOR ARE THEY TO BE ASSIGNED TO ANY THIRD PARTY WITHOUT THE WRITTEN AUTHORIZATION OF AMERICAN MODULAR SYSTEMS.