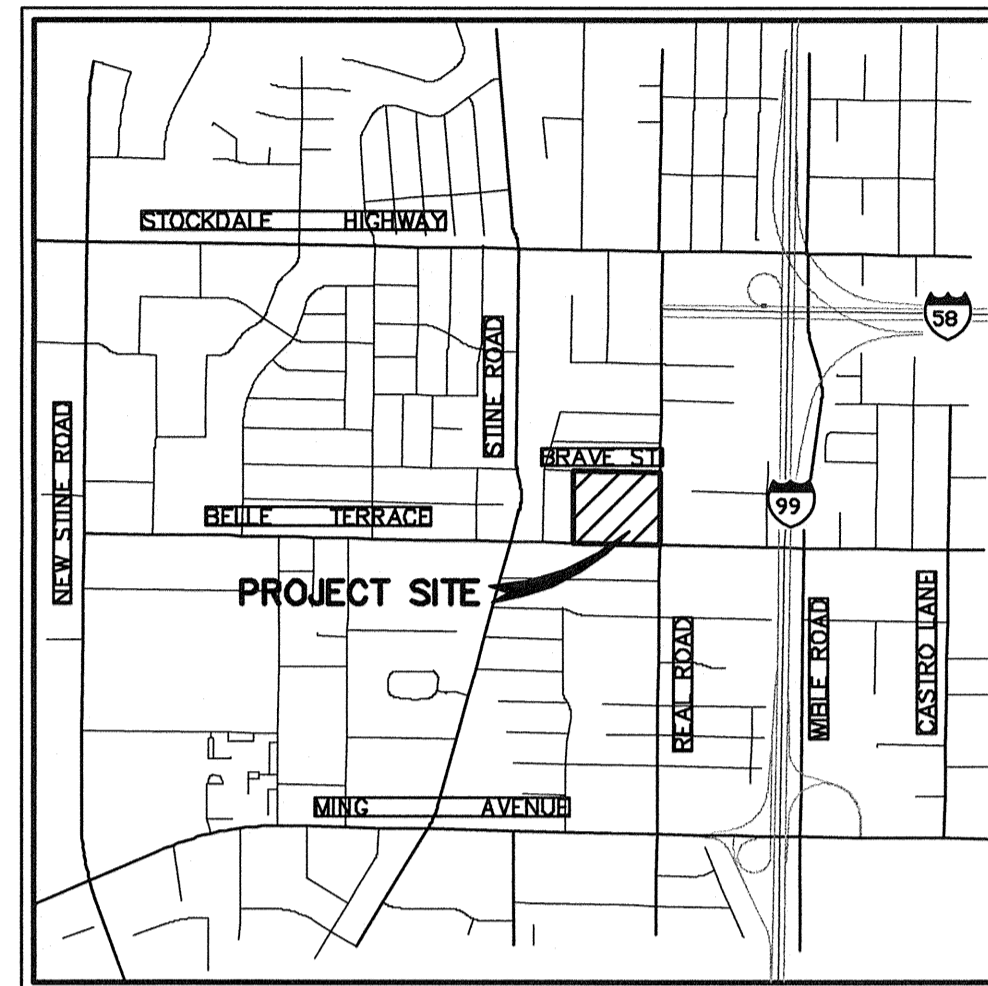




# MUNSEY ELEMENTARY SCHOOL SITE IMPROVEMENT AND GRADING PLANS FOR CLASSROOM PORTABLES



VICINITY MAP  
NO SCALE

SCOPE OF WORK

### QUANTITIES:

THE QUANTITIES SHOWN BELOW ARE FOR GRADING PERMIT PURPOSES ONLY, AND SHALL NOT BE USED FOR BIDDING PURPOSES. THE CONTRACTOR SHALL MAKE HIS OWN ESTIMATE OF QUANTITIES FOR BIDDING THIS PROJECT.

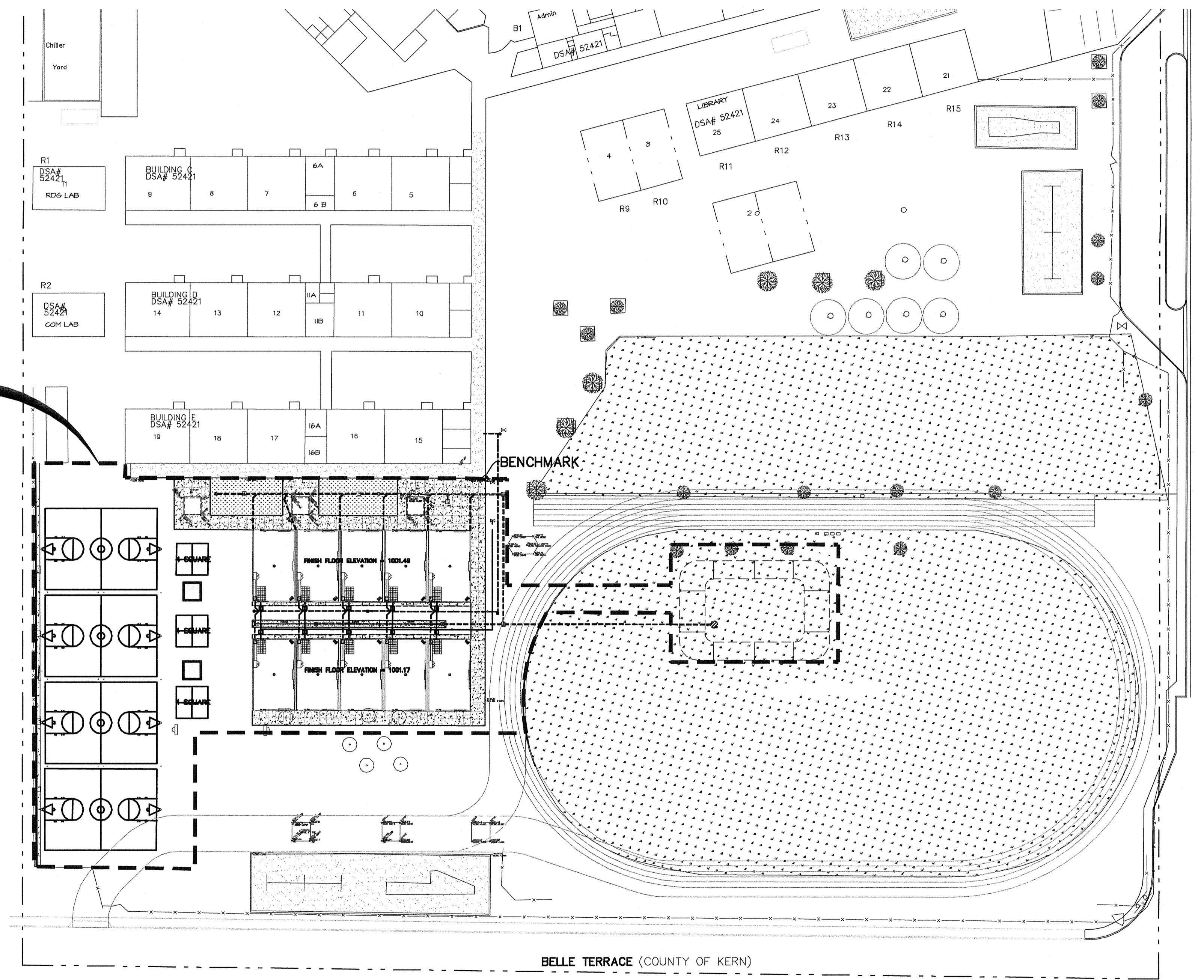
ALL QUANTITIES WERE CALCULATED BASED ON A 0.20' FEET LOSS DUE TO CLEARING AND GRUBBING OF THE SITE. THE ENGINEER MAKES NO WARRANTY AS TO THE ANTICIPATED SHRINKAGE FACTOR.

EXCAVATION	XXX C.Y.
FILL	XXX C.Y.
COMPACTION FACTOR:	XXX%
PROJECT ACREAGE - DISTURBED AREA	1.20 ACRES
* ALL QUANTITIES ARE "COMPACTED IN-PLACE" VOLUMES.	

ASPHALT CONCRETE	25,007 SF (XX TONS)
AGGREGATE BASE (0.33')	25,007 SF (306 CYS)
CONCRETE WALK	5,466 SF
6" PVC STORM DRAIN-SDR 35	469 LF
8" PVC STORM DRAIN-SDR 35	117 LF
CATCH BASINS	9 EA
6" PVC SEWER-SDR 35	265 LF
2" SEWER LATERAL	148 LF
4" PVC WATER LINE-C900	214 LF
3/4" WATER SERVICE	128 LF
BASKETBALL GOAL	8 EA

### SHEET No. INDEX

- 1 COVER SHEET
- 2 NOTES
- 3 DETAILS AND TYPICAL SECTIONS
- 4 STANDARD PLAN DETAILS
- 5 EXISTING CONDITIONS & DEMOLITION PLAN
- 6 GRADING SHEET - CLASSROOMS
- 7 GRADING SHEET - STORM WATER DETENTION AREA
- 8 UTILITY PLAN (SEWER & WATER)



KEY MAP  
SCALE: 1"=40'

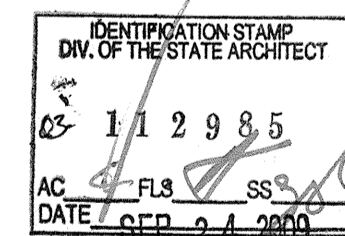
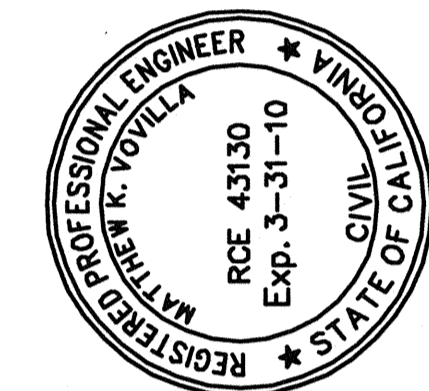


### STATISTICS:

- ASSESSOR'S PARCEL NUMBER: 149-170-06
- APPROXIMATE ACREAGE: 1.20 ACRES
- BUILDING SIZE: APPROXIMATELY 10,403 SF.
- WATER: ON-SITE
- SEWER DISPOSAL: ON-SITE
- DRAINAGE: ON-SITE
- EXISTING LAND USE: SCHOOL SITE
- PROPOSED LAND USE: SCHOOL SITE
- FIRE PROTECTION: C.O.B.
- ADDRESS: 3801 BRAVE AVENUE BAKERSFIELD, CA

### BENCHMARK USED:

TOP OF CONCRETE AT THE SOUTHEAST CORNER OF THE EXISTING CONCRETE WALK AS SHOWN ON THIS MAP AS PROJECT BENCH MARK.  
ELEVATION = 1001.40



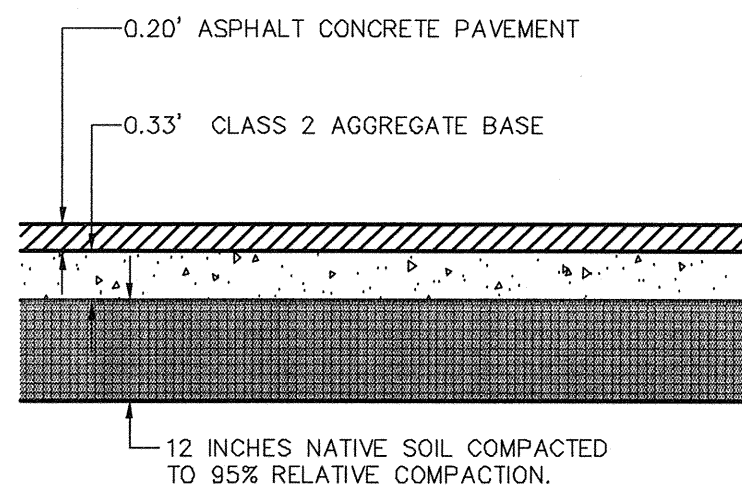
**Pinnacle Civil Engineering, Inc.**  
2161 Saturn Court, Bakersfield, CA 93308  
Phone: (661) 869-0184 Fax: (661) 377-0076

DATE  
REVISIONS  
MATTHEW K. VOVILLA  
RCE 43130 EXP. 3/31/10

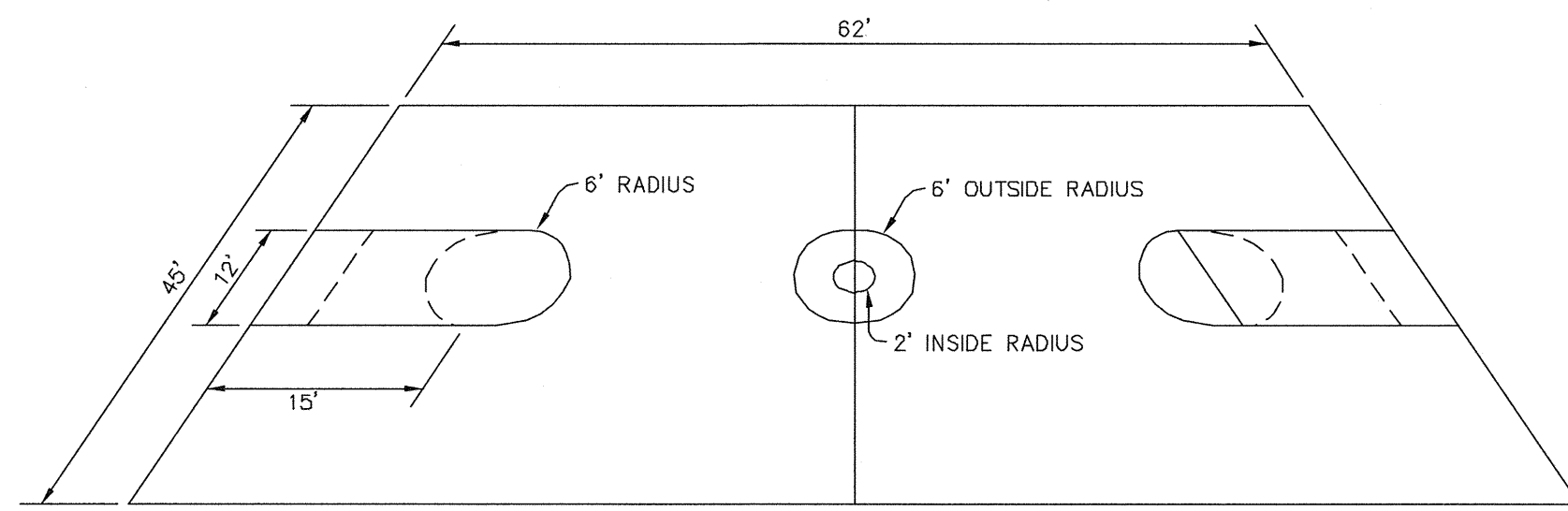
**SITE IMPROVEMENT & GRADING PLAN  
MUNSEY ELEMENTARY  
3801 BRAVE AVENUE  
BAKERSFIELD, CALIFORNIA**

JOB No.: 09-388  
DWG NO.: 09-388-BM  
DATE: 09/23/2009  
DRAWN BY: ADK  
CHECKED BY: MKV  
SHEET 1  
OF 8 SHEETS

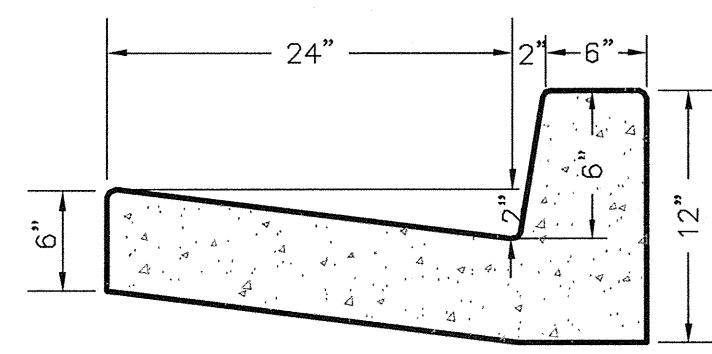




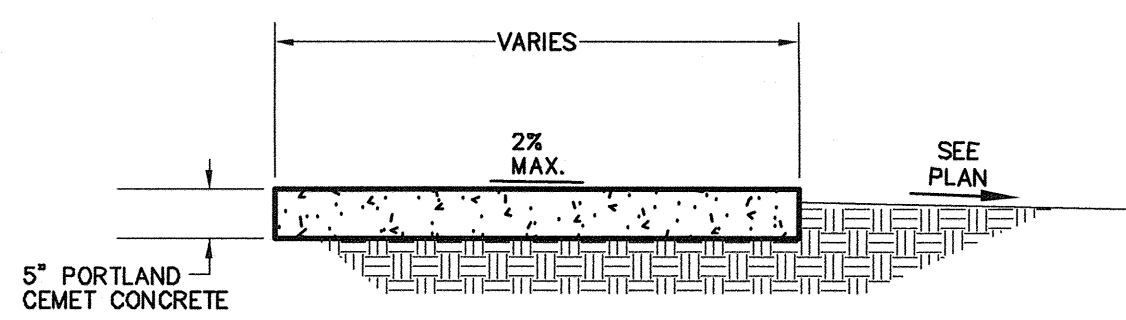
**A**  
3  
TYPICAL PAVING SECTION  
N.T.S.



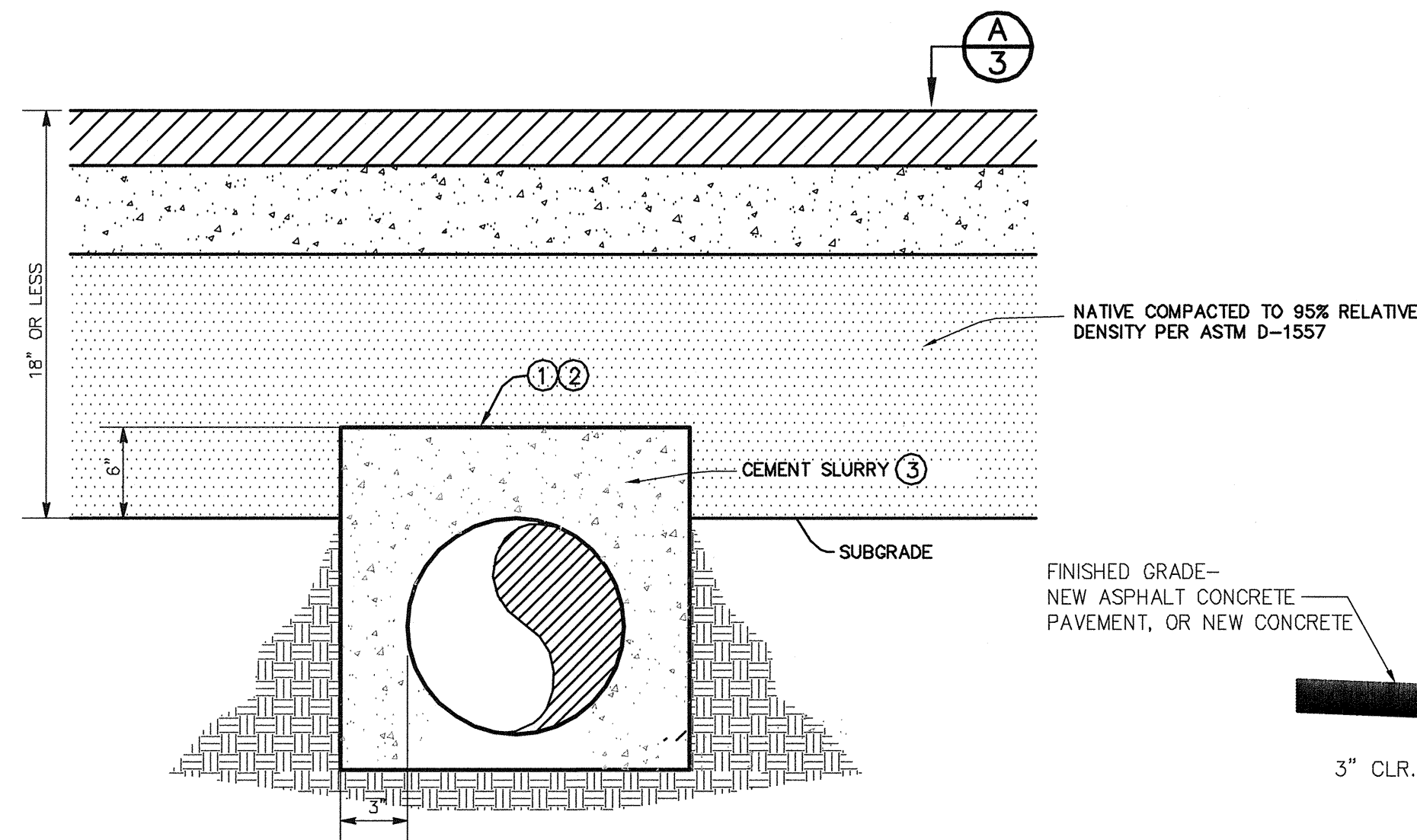
**E**  
3  
BASKETBALL COURT STRIPING  
N.T.S.



**G**  
3  
TYPE "B" CURB - C.O.B. STD. S-1  
N.T.S.

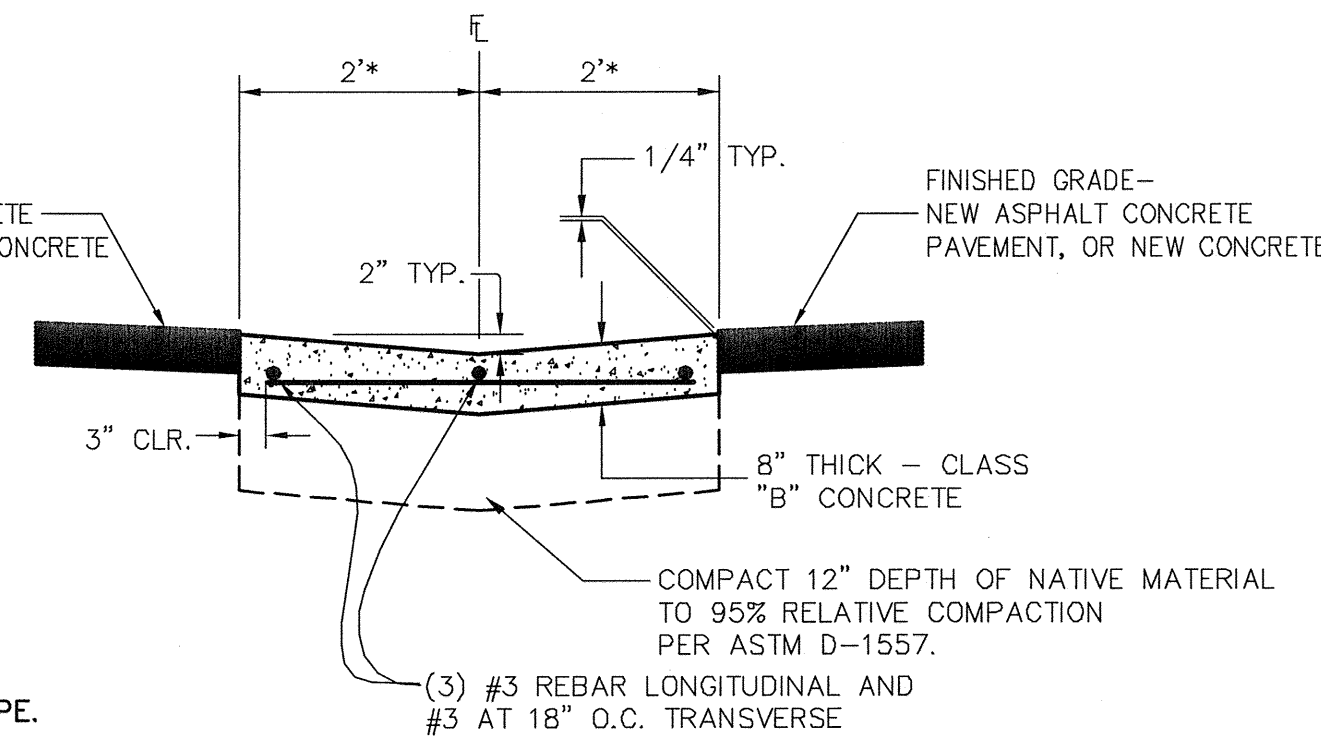


**B**  
3  
SIDEWALK SECTION  
N.T.S.

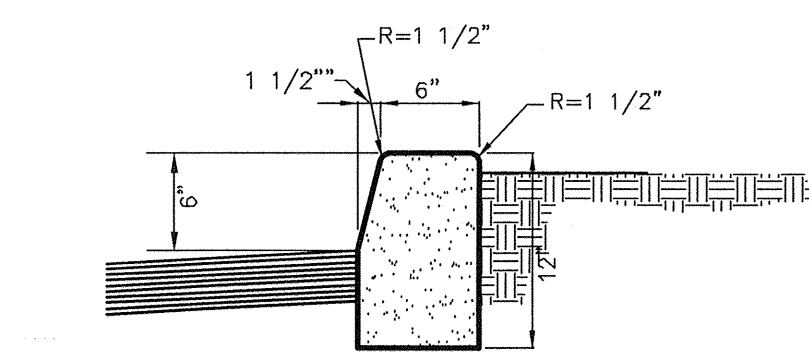


- NOTES:  
 ① SLURRY BACKFILL TO BE USED IN PAVED AREAS WHERE COVER IS 18" OR LESS.  
 ② SLURRY TO ENCR OACH INTO SUB-GRADE TO ACHIEVE 6" OF SLURRY COVER OVER PIPE.  
 ③ SLURRY SHALL BE 1-SACK CONCRETE MIX.

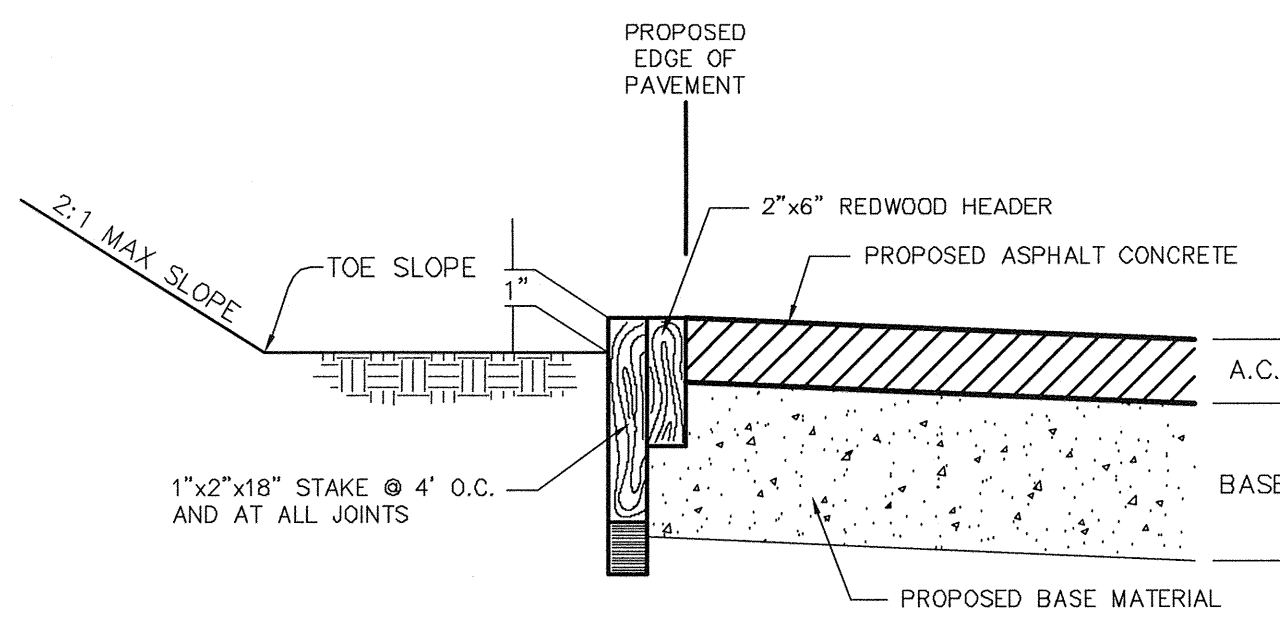
**F**  
3  
TRENCH SLURRY BACKFILL (WHEN LESS THAN 18" OF COVER)  
N.T.S.



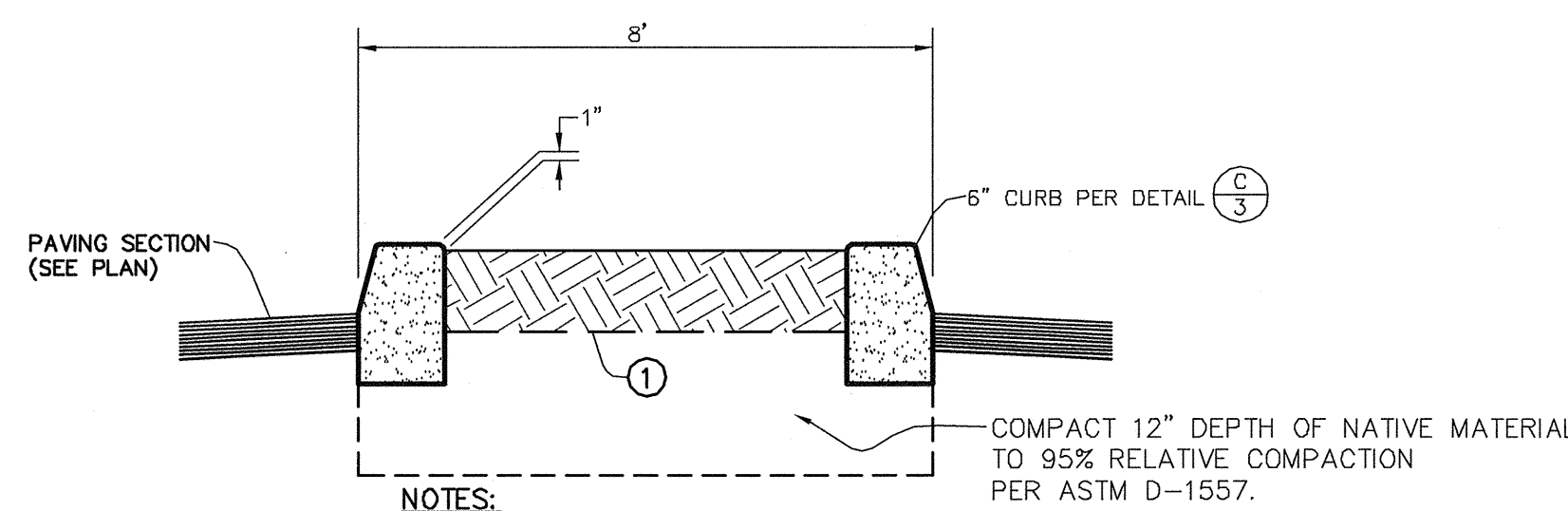
**J**  
3  
CONCRETE "V" GUTTER  
N.T.S.



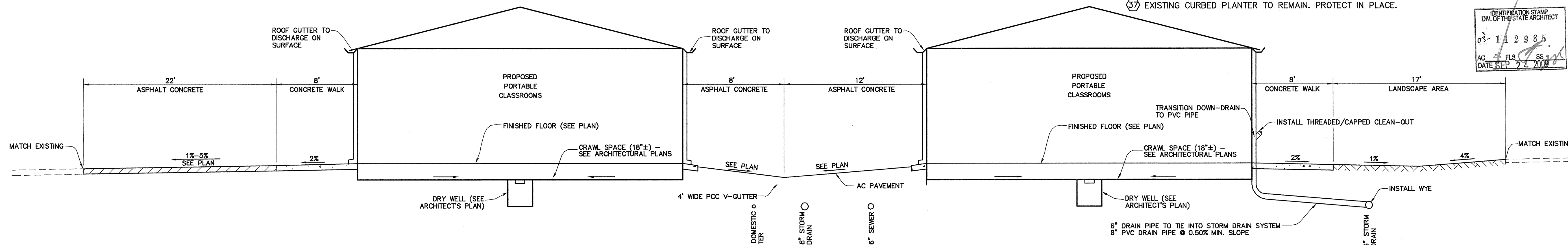
**C**  
3  
6" CONCRETE CURB  
N.T.S.



**D**  
3  
REDWOOD PAVING BOARD  
N.T.S.



**H**  
3  
PLANTER  
N.T.S.



**I**  
3  
FINISH GRADING / SURFACE SECTION  
N.T.S.

**CONSTRUCTION NOTES-GRADING & SITE IMPROVEMENTS**

- ① PRIOR TO FINISH GRADING, THE BUILDING PAD SHALL BE OVEREXCAVATED AND RECOMPACTED IN ACCORDANCE WITH THE SOILS REPORT. OVEREXCAVATION AND RECOMPACTION SHALL EXTEND A MINIMUM OF 5 FEET BEYOND THE BUILDING PERIMETER.
- ② CONTRACTOR SHALL RESEARCH ALL EXISTING UTILITIES, AND SHALL "POTHOLE" TO VERIFY LOCATION AND DEPTH. EXCEPT AS OTHERWISE NOTED ON THESE PLANS, ALL EXISTING UTILITIES SHALL BE PROTECTED IN-PLACE.
- ③ PLACE AND COMPACT ASPHALT CONCRETE PAVEMENT OVER AGGREGATE BASE OVER COMPACTED SUBGRADE IN ACCORDANCE WITH DETAIL (A-3).
- ④ CONSTRUCT REDWOOD HEADER BOARD PER DETAIL (B-3).
- ⑤ CONSTRUCT 5" THICK PORTLAND CEMENT CONCRETE WALKWAY PER DETAILS (B-3).
- ⑥ INSTALL 6-INCH DIAMETER PVC STORM DRAIN PIPE AS SHOWN. IF COVER IS LESS THAN 18-INCHES, TRENCH SHALL BE BACKFILLED WITH 1-SACK CEMENT SLURRY PER DETAIL (F-3).
- ⑦ INSTALL 8-INCH DIAMETER PVC STORM DRAIN PIPE AS SHOWN. IF COVER IS LESS THAN 18-INCHES, TRENCH SHALL BE BACKFILLED WITH 1-SACK CEMENT SLURRY PER DETAIL (F-3).
- ⑧ INSTALL 24-INCH SQUARE CONCRETE CATCH BASIN - CHRISTY U23 WITH H-20 AND ADA COMPLIANT, AND HEEL PROOF GRATE - OR APPROVED EQUAL. SEE SHEET 4 FOR DETAIL.
- ⑨ SAWCUT EXISTING SURFACE AND JOIN. MATCH EXISTING GRADE. REMOVE AND DISPOSE OF EXISTING MATERIAL AS NECESSARY.
- ⑩ CONSTRUCT CONCRETE "V" GUTTER PER DETAIL (J-3) HEREIN.
- ⑪ CONSTRUCT CONCRETE CURB AND GUTTER PER DETAIL (C-3).
- ⑫ EXCAVATE STORM WATER DETENTION AREA AS SHOWN ON PLAN.
- ⑬ ALTERNATE TO STORM WATER DETENTION AREA, INSTALL STORM TECH SYSTEM - SEE DETAIL.
- ⑭ INSTALL ROCK WELL IN STORM WATER DETENTION AREA AS SHOWN ON PLAN, AND PER DETAIL (A-7).
- ⑮ INSTALL ROCK WELL IN CRAWL SPACE OF EACH PORTABLE. SEE ARCHITECT'S PLANS FOR DETAILS.
- ⑯ ADJUST ALL UTILITY BOXES, CLEAN-OUTS, AND VALVE COVERS TO FINISHED GRADE.
- ⑰ INSTALL 6" CONCRETE CURB PER DETAIL (C-3).
- ⑱ JOIN EXISTING WATER LINE. EXISTING IMPROVEMENTS SHALL BE SAWCUT, REMOVED AND REPLACED IN KIND, AS NECESSARY TO MAKE CONNECTION AND EXTEND WATER LINE.
- ⑲ ADJUST ALL UTILITY AND VALVE BOXES TO FINISHED GRADE AFTER INSTALLATION OF AC PAVEMENT. CONCRETE COLLARS SHALL BE POURED AROUND ALL VALVE BOXES AND CLEAN-OUTS. SAWCUT NEW AC PAVEMENT PRIOR TO POURING COLLARS.
- ⑳ REMOVE EXISTING CLEANOUT AND CONNECT TO EXISTING SEWER. ONCE EXISTING SEWER IS EXPOSED, CONTACT ENGINEER TO "SHOOT" ELEVATION OF EXISTING LINE, AND MAKE ADJUSTMENT OF SEWER DESIGN GRADES.
- ㉑ INSTALL 6-INCH PVC SDR 35 SEWER LINE. SEWER SHALL BE INSTALLED AT A SLOPE NOT LESS THAN 0.5 PERCENT. SEE ALSO NOTE (27).
- ㉒ INSTALL SEWER CLEAN-OUT PER CITY OF BAKERSFIELD STANDARD SW-5. INCLUDE CONCRETE COLLAR. SAW-CUT AC PRIOR TO POURING COLLAR.
- ㉓ INSTALL 4-INCH DOMESTIC WATER LINE - PVC C90.
- ㉔ INSTALL WATER LINE GATE VALVE AND VALVE BOX PER CITY OF BAKERSFIELD WATER STANDARD W-12. INSTALL CONCRETE COLLAR PER STANDARD.
- ㉕ INSTALL THRUST BLOCKS AT ALL ANGLE POINTS PER CITY OF BAKERSFIELD STANDARD W-2. SEE ALSO SHEET 4 FOR DETAIL.
- ㉖ INSTALL BLOW-OFF WITH VALVE BOX PER CITY OF BAKERSFIELD STANDARD W-4. SEE ALSO SHEET 4 FOR DETAIL.
- ㉗ INSTALL 2-INCH SEWER LATERAL WITH WYE AND CLEAN-OUT. MAKE CONNECTION TO EACH PORTABLE UNIT PER MANUFACTURER'S RECOMMENDATION.
- ㉘ INSTALL 3/4-INCH DOMESTIC SERVICE WITH CORPORATION STOP AND METER BOX. MAKE CONNECTION TO PORTABLE PER MANUFACTURER'S RECOMMENDATION.
- ㉙ ANY UNDERGROUND UTILITIES WITH LESS THAN 18-INCHES OF COVER SHALL BE BACKFILLED WITH CONCRETE SLURRY PER DETAIL (F-3).
- ㉚ INSTALL STRUCTURAL STEEL IN-GROUND BASKETBALL GOAL, INCLUDING STRUCTURAL FOUNDATION, MINIMUM 38"x60" BACKBOARD, HOOP AND ADJUSTMENT MECHANISM: 6-10 FEET, PER DISTRICT REQUIREMENTS OR APPROVED EQUAL.
- ㉛ PAINT REGULATION BASKETBALL COURT AS SHOWN ON PLANS.
- ㉜ INSTALL CATCH BASIN - 12" SQUARE, LIGHT DUTY WITH 12" GRATE, NDS 1200 SERIES OR APPROVED EQUAL. ADD SPACERS AS NECESSARY TO ACHIEVE INDICATED INVERT ELEVATIONS.
- ㉝ INSTALL CATCH BASIN - 18" SQUARE, LIGHT DUTY WITH 18" GRATE, NDS 1800 SERIES OR APPROVED EQUAL. ADD SPACERS AS NECESSARY TO ACHIEVE INDICATED INVERT ELEVATIONS.
- ㉞ CONNECT ROOF DRAIN TO 6-INCH STORM DRAIN LINE AS SHOWN. USE SEWER-TYPE WYE FOR CONNECTION. SEE ARCHITECT'S PLANS FOR EXACT LOCATION OF ROOF DRAINS.
- ㉟ INSTALL SEWER TYPE CLEANOUT WHERE INDICATED FOR STORM DRAIN.
- ㊱ INSTAL 6"x6" CONCRETE "MOW-CURB". CURB TO BE FLUSH WITH A.C. PAVEMENT AND 2" ABOVE LANDSCAPE FINISHED GRADE.
- ㊲ EXISTING CURBED PLANTER TO REMAIN. PROTECT IN PLACE.

IDENTIFICATION STAMP  
 DIV. OF THE STATE ARCHITECT  
 03-112985  
 AC 213 SS 3  
 DATE SEP 24 2009

**PINNACLE Civil Engineering, Inc.**  
 2161 Saturn Court, Bakersfield, CA 93308  
 Phone: (661) 869-0184 Fax: (661) 377-0076

DATE  
 REVISIONS  
 MATTHEW K. YOVILLA  
 RCE 43130 EXP. 3/31/10

**DETAILS & TYPICAL SECTIONS  
 MUNSEY ELEMENTARY  
 3801 BRAVE AVENUE  
 BAKERSFIELD, CALIFORNIA**

JOB No.: 09-388  
 DWG NO.: 09-388-BM  
 DATE: 09/23/2009  
 DRAWN BY: ADK  
 CHECKED BY: MKV  
 SHEET 3  
 OF 8 SHEETS

