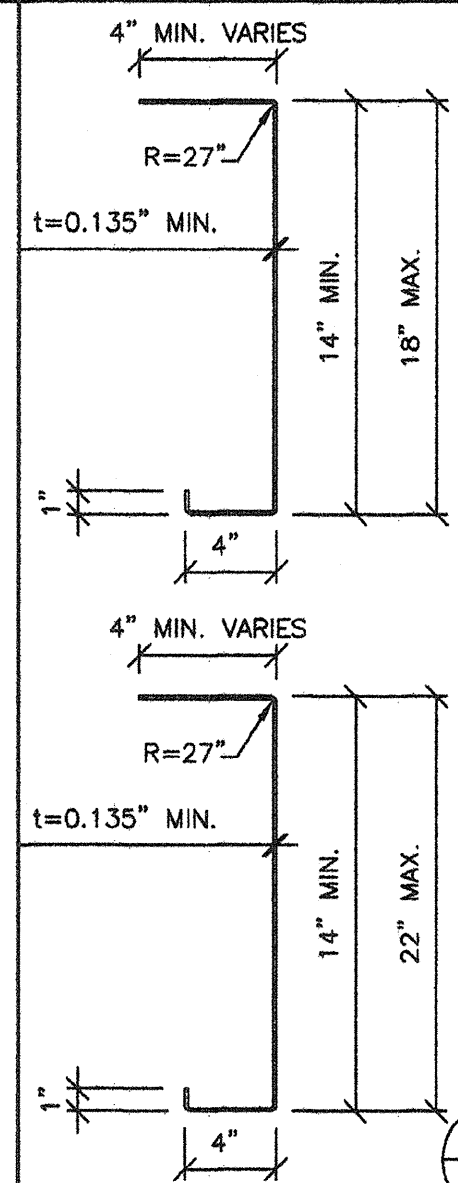


6 BLOCKING DETAIL
S3.1 1 1/2"=1'-0"



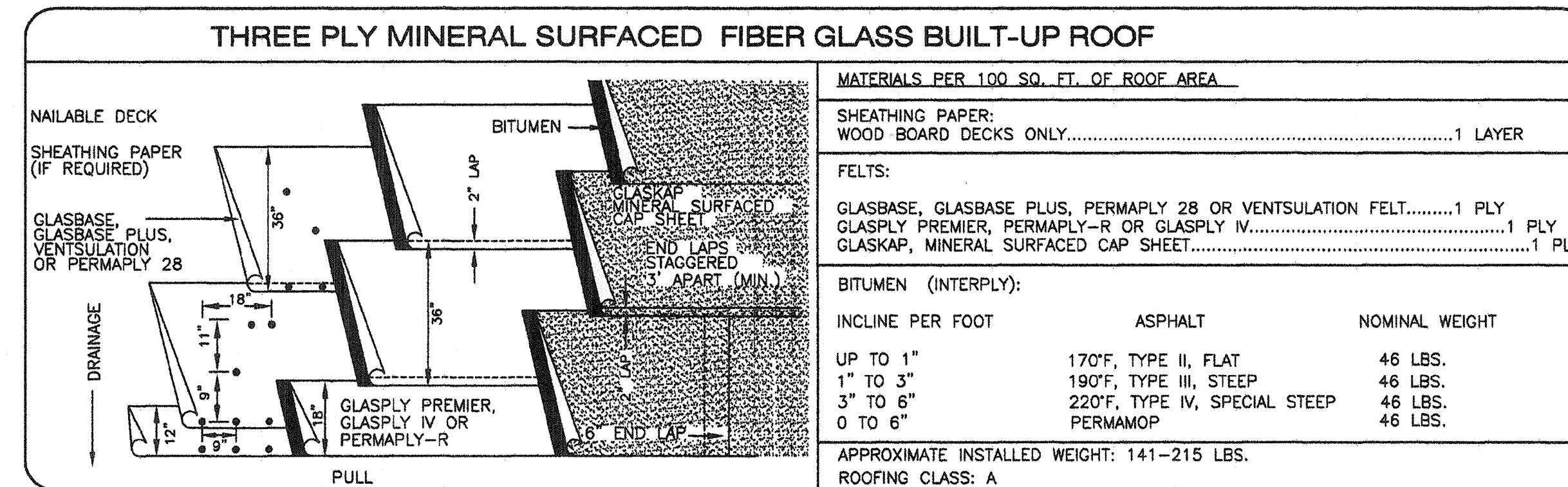
	14"	18"
A	3.14 IN ²	3.71 IN ²
S _x MIN.	12.07 IN ³	17.32 IN ³
I _x MIN.	86.94 IN ⁴	159.80 IN ⁴

BEAM FABRICATED FROM ASTM A1011
GR50 W/RUST INHIBITIVE COATING.

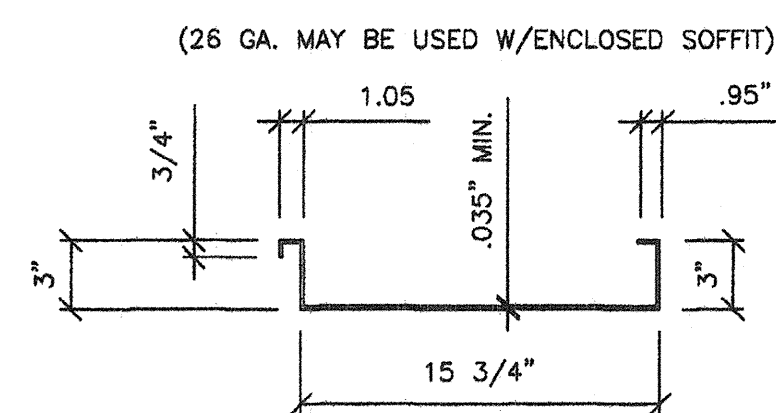
	14"	22"
A	3.14 IN ²	4.28 IN ²
S _x MIN.	12.07 IN ³	23.33 IN ³
I _x MIN.	86.94 IN ⁴	262.35 IN ⁴

BEAM FABRICATED FROM ASTM A1011
GR50 W/RUST INHIBITIVE COATING.

9 LONGITUDINAL ROOF BEAM
S3.1 1 1/2"=1'-0"



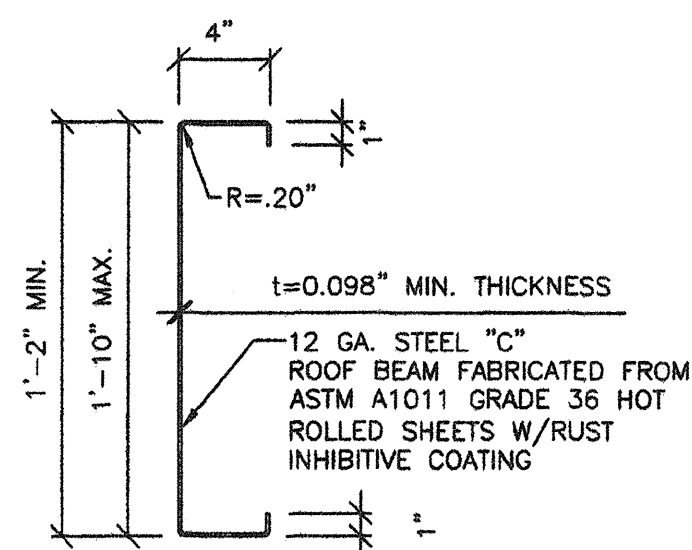
12 THREE PLY MINERAL BUILT-UP ROOF
S3.1 1 1/2"=1'-0"



S_x(t) = 0.418 IN³
S_x(b) = 1.412 IN³
I_x = 0.968 IN⁴

PAN FABRICATED FROM ASTM A1011 GRADE 36,
HOT ROLLED SHEETS. PAN TO BE GIVEN A
RUST INHIBITIVE COATING.

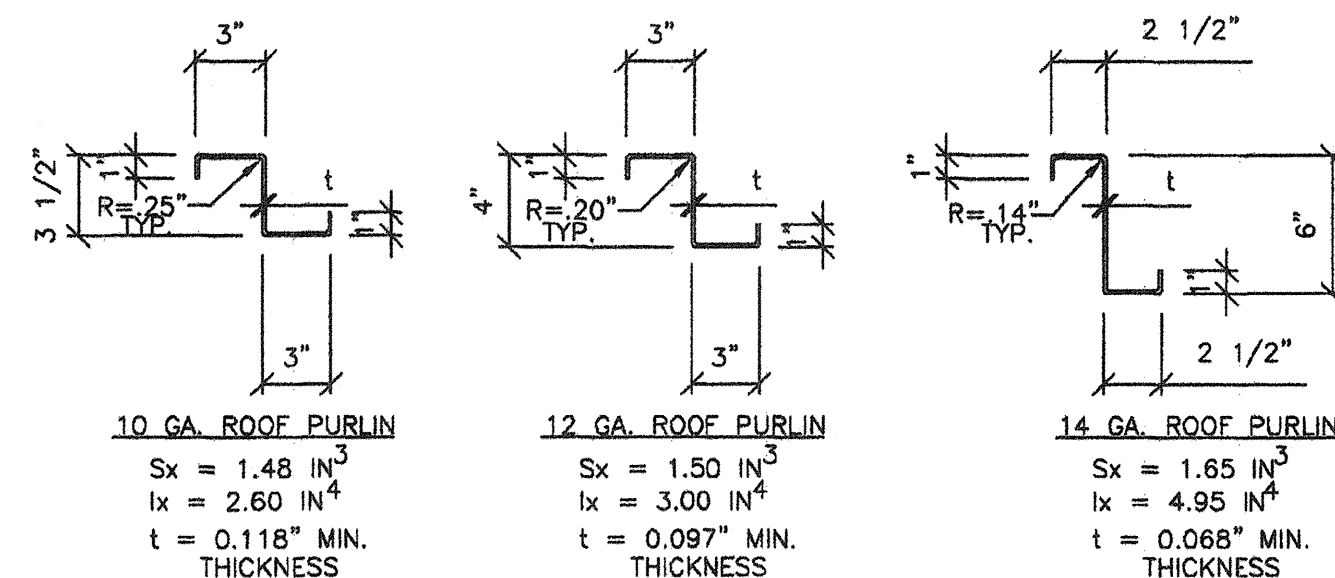
7 20 GA. ROOF PAN
S3.1 1 1/2"=1'-0"



TYPICAL SECTION

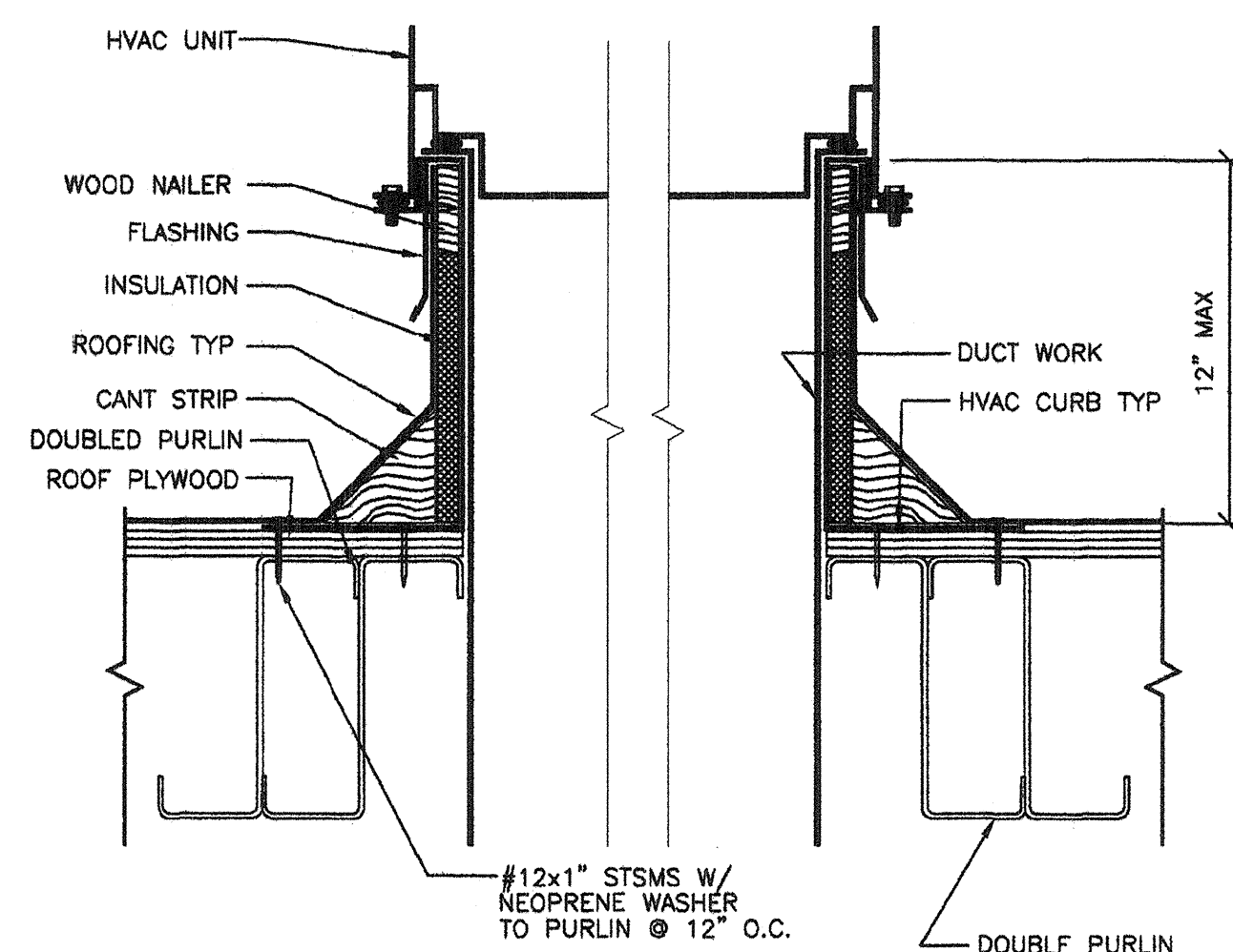
C SECTION PROPERTIES
D=1'-2"
A=2.36 IN²
S_x=9.57 IN³
I_x=67.02 IN⁴

10 12 GA. ROOF CHANNEL
S3.1 1 1/2"=1'-0"



JOIST FABRICATED FROM ASTM A1011
GRADE 36, HOT ROLLED SHEETS, JOISTS
TO BE GIVEN A RUST INHIBITIVE COATING.

8 Z PURLINS DETAILS AND PROPERTIES
S3.1 1 1/2"=1'-0"



11 HVAC CURB DETAIL ANCHORAGE
S3.1 3"=1'-0"

- GENERAL NOTES -

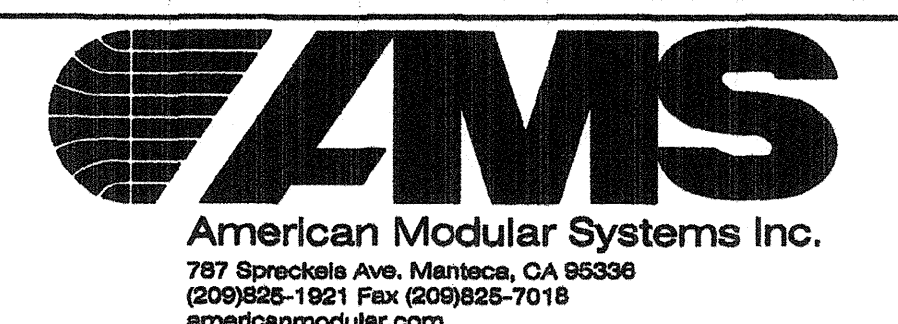
1. THE MATERIAL THICKNESS OF STRUCTURAL MEMBER, IN THEIR END-USE, SHALL MEET OR EXCEED THE MINIMUM BASE METAL THICKNESS SPECIFIED IN THE TABLE OR IN THE PLAN. THE MATERIAL GAGE DESIGNATION IN THE PLAN SHALL BE USED AS REFERENCE ONLY.

NO	DATE	DESCRIPTION

DATE: 02/26/08
SCALE: NOTED
DRAWN BY: DM
SERIAL NO.:

CUSTOMER:

12' x 40' RELOCATABLE BUILDINGS
ROOF FRAMING DETAILS



APPROVALS:
KENNETH A. LUTHE
No. 1418
EXP. 3-31-11
Structural Engineer
STATE OF CALIFORNIA

IDENTIFICATION STAMP
DIV. OF THE STATE ARCHITECT
OFFICE OF REGULATION SERVICES
03-112985
AC FLS SS YJA
DATE 2/20/10

IDENTIFICATION STAMP
DIV. OF THE STATE ARCHITECT
OFFICE OF REGULATION SERVICES
PC 02-108808
AC FLS SS YJA
DATE 4/1/07

PROJECT No.

S3.1

THESE DRAWINGS AND SPECIFICATIONS ARE THE PROPERTY OF AMERICAN MODULAR SYSTEMS, INC. AND ARE NOT TO BE REPRODUCED, CHANGED OR COPIED IN ANY FORM OR MANNER, NOR ARE THEY TO BE ASSIGNED TO ANY THIRD PARTY WITHOUT THE WRITTEN AUTHORIZATION OF AMERICAN MODULAR SYSTEMS, INC.