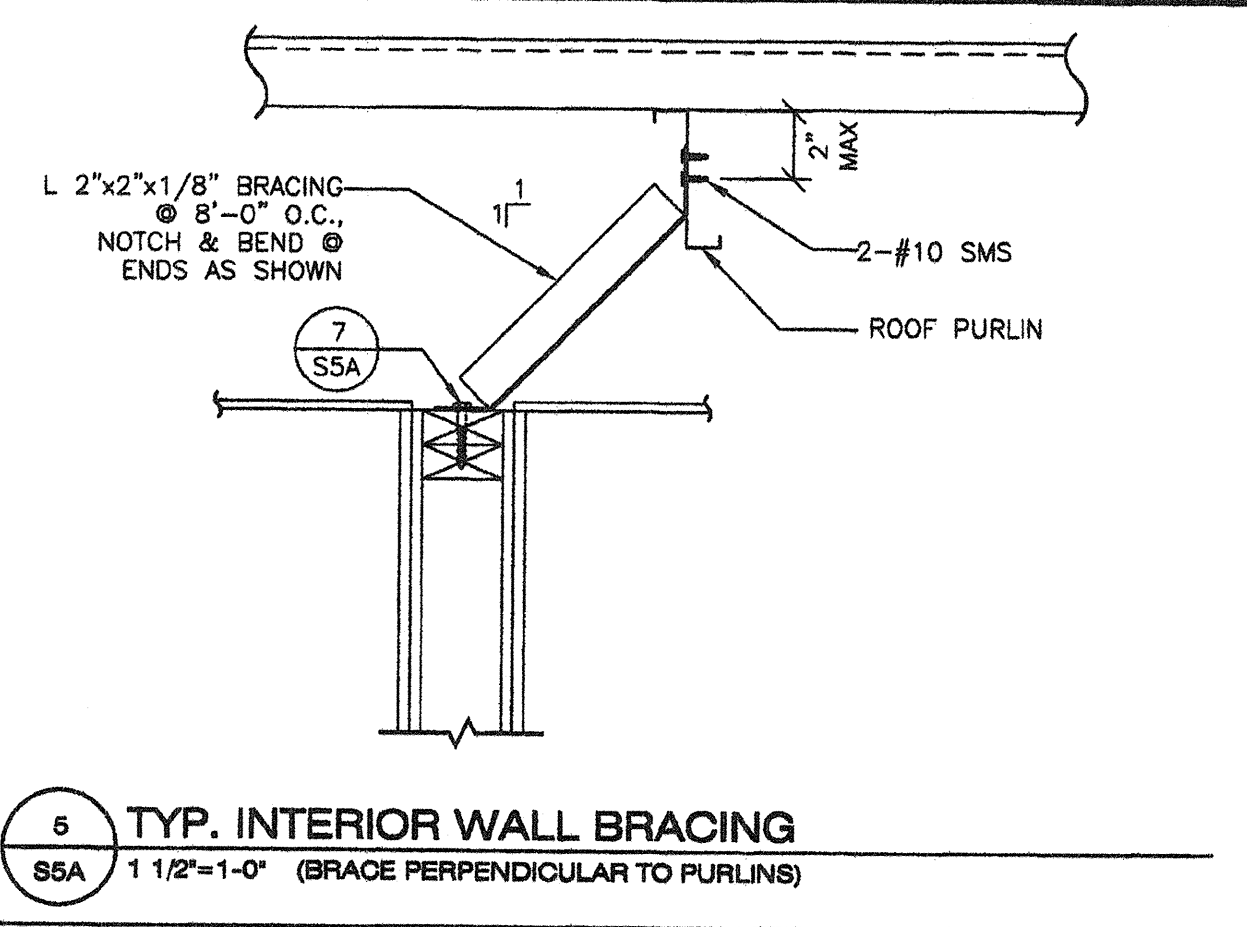
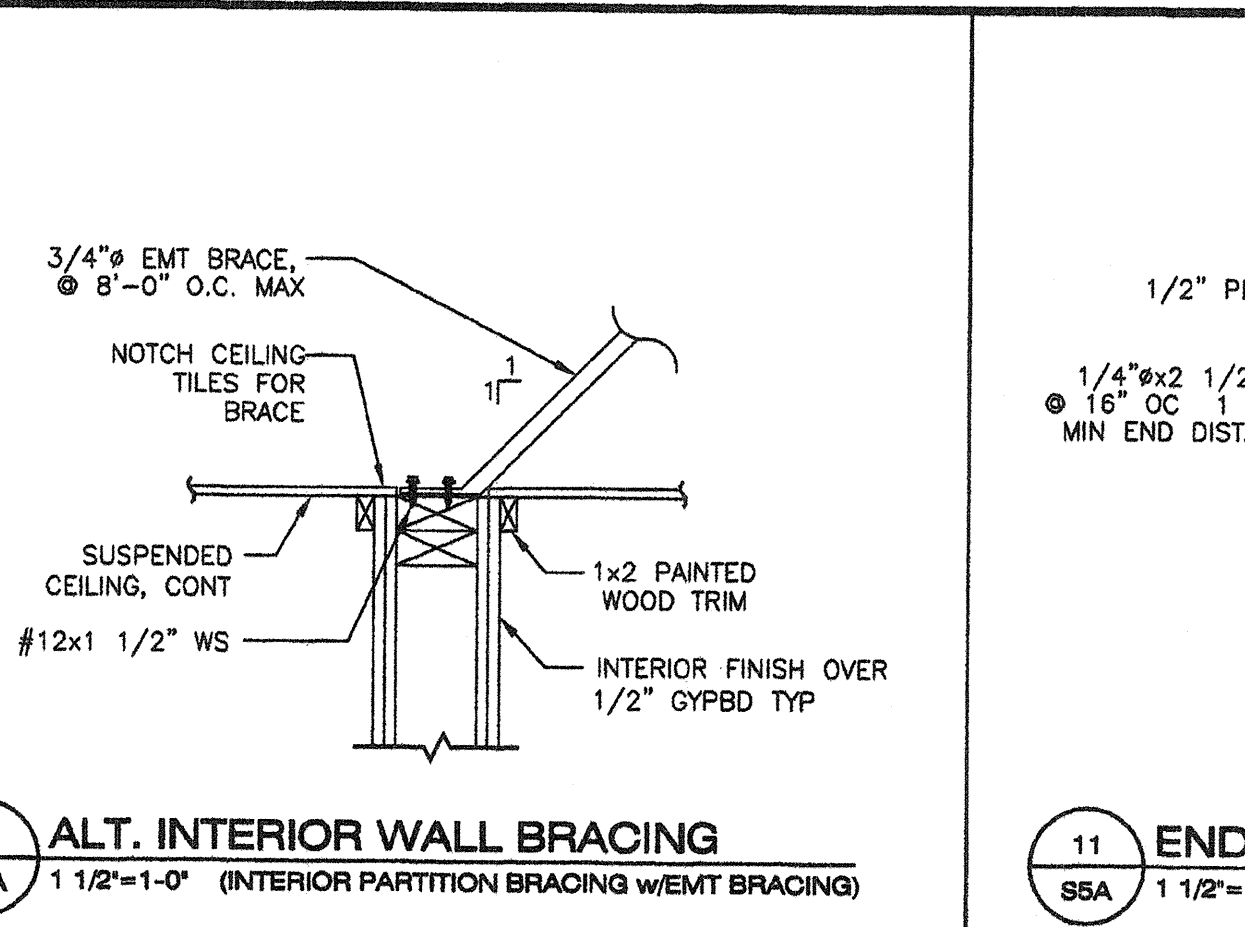


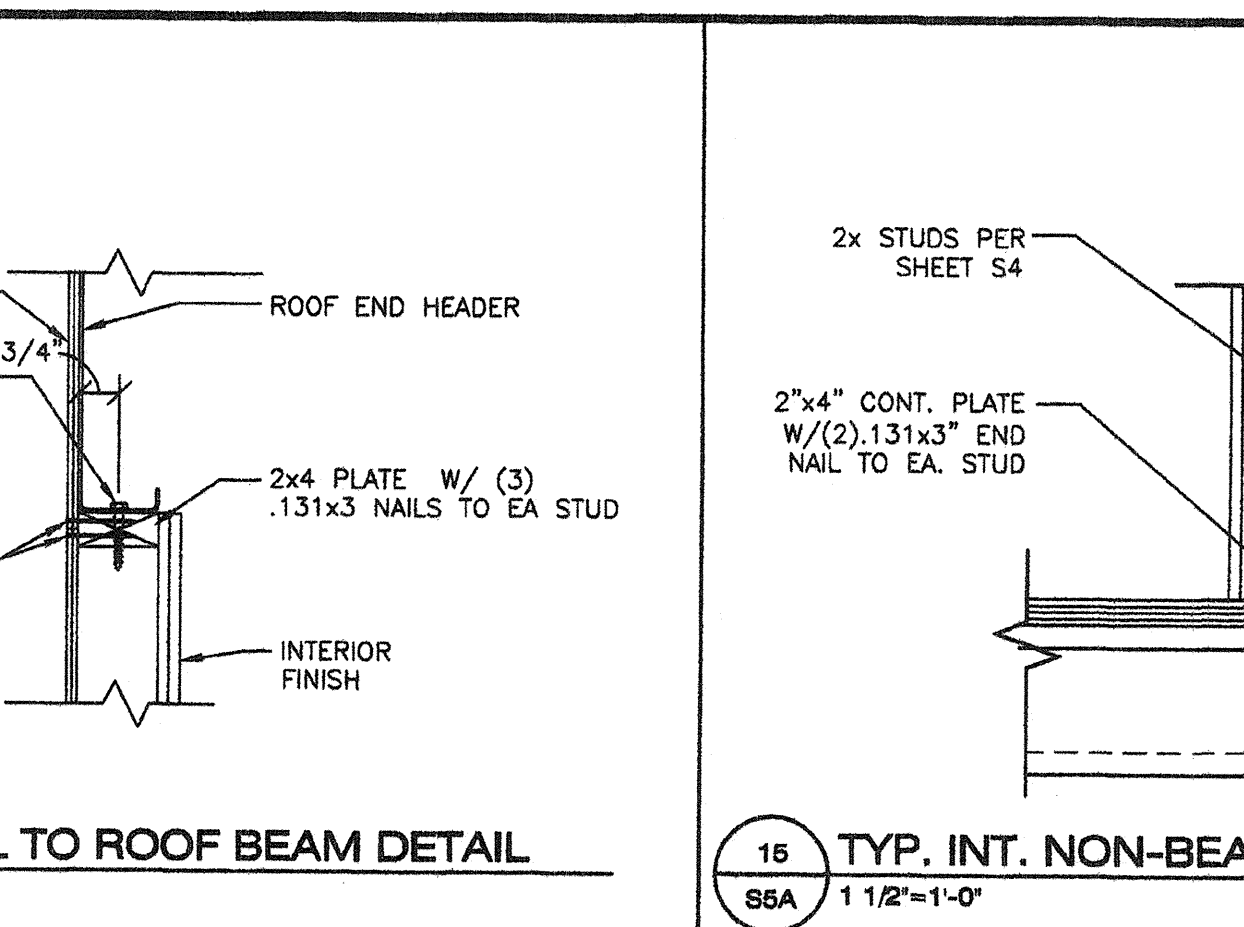
**1 WALL TO COLUMN TYP DETAIL @ CORNER**  
 S5A 1 1/2"=1'-0"  
 FOR COLUMN LOCATION REFER TO ARCHITECTURAL DETAILS



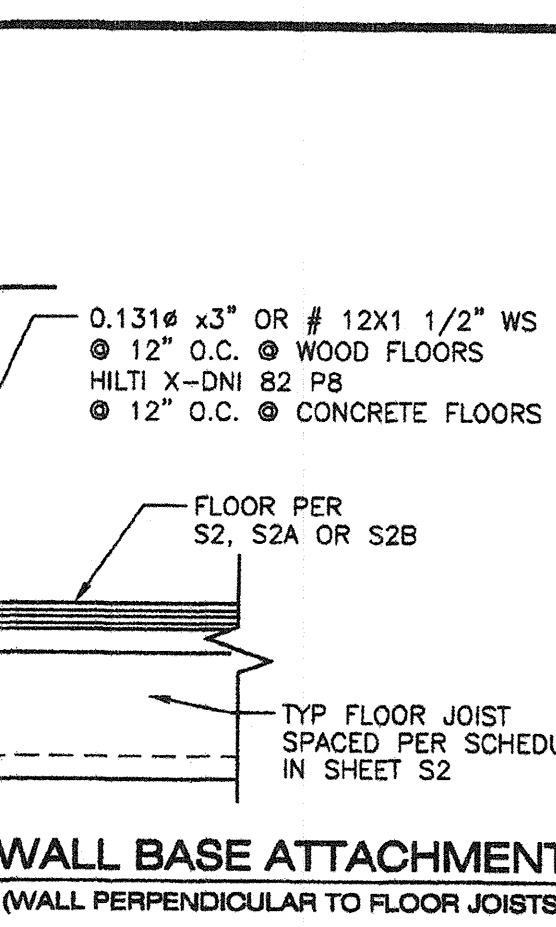
**5 TYP. INTERIOR WALL BRACING**  
 S5A 1 1/2"=1'-0" (BRACE PERPENDICULAR TO PURLINS)



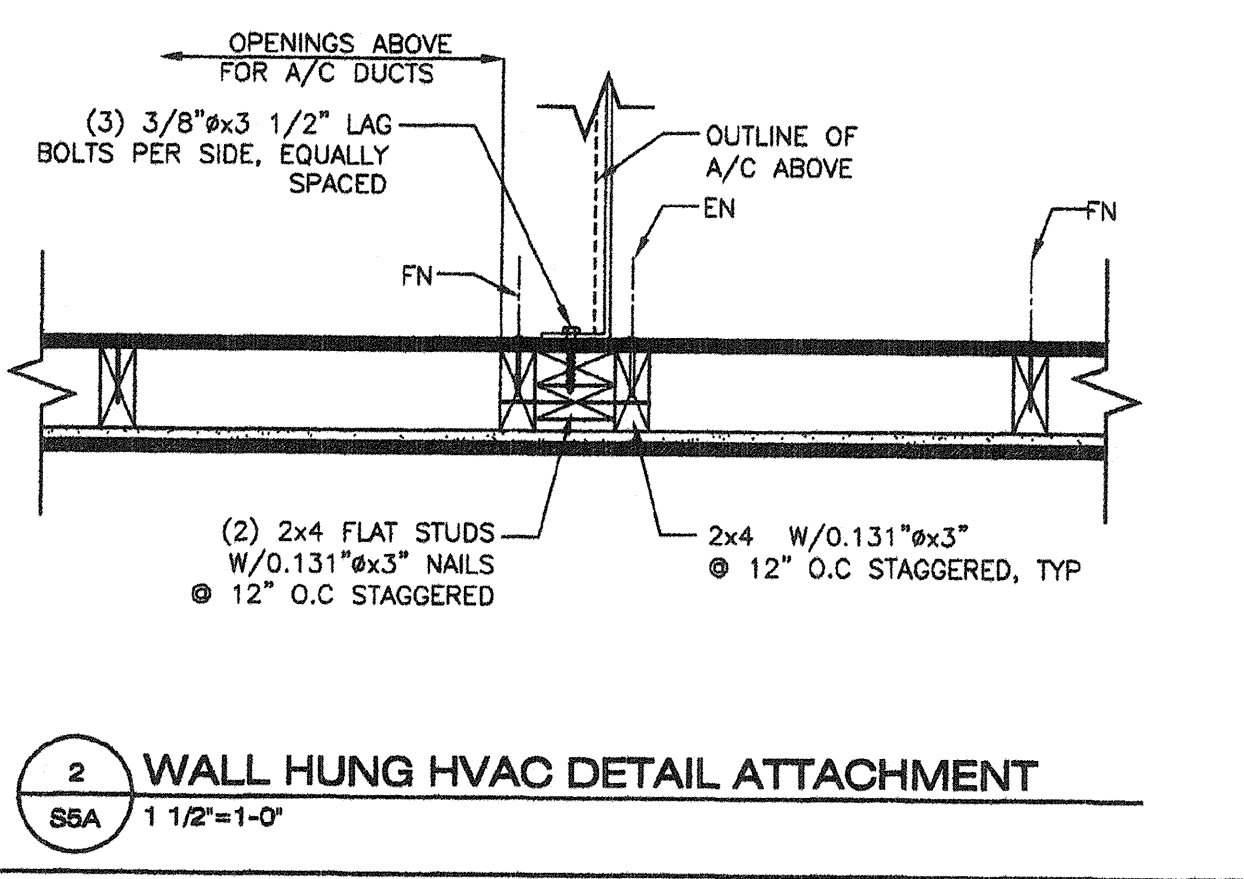
**8 ALT. INTERIOR WALL BRACING**  
 S5A 1 1/2"=1'-0" (INTERIOR PARTITION BRACING W/EMT BRACING)



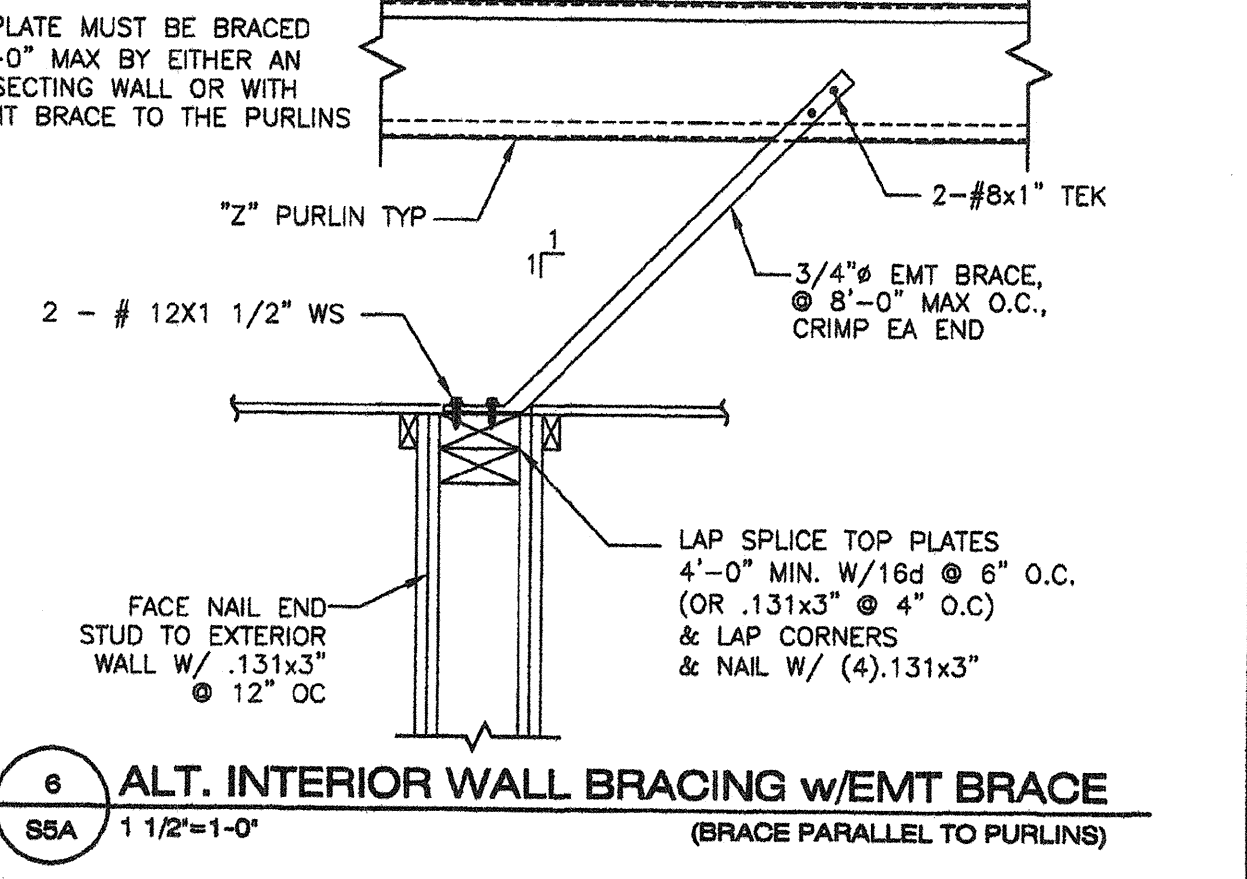
**11 END WALL TO ROOF BEAM DETAIL**  
 S5A 1 1/2"=1'-0"



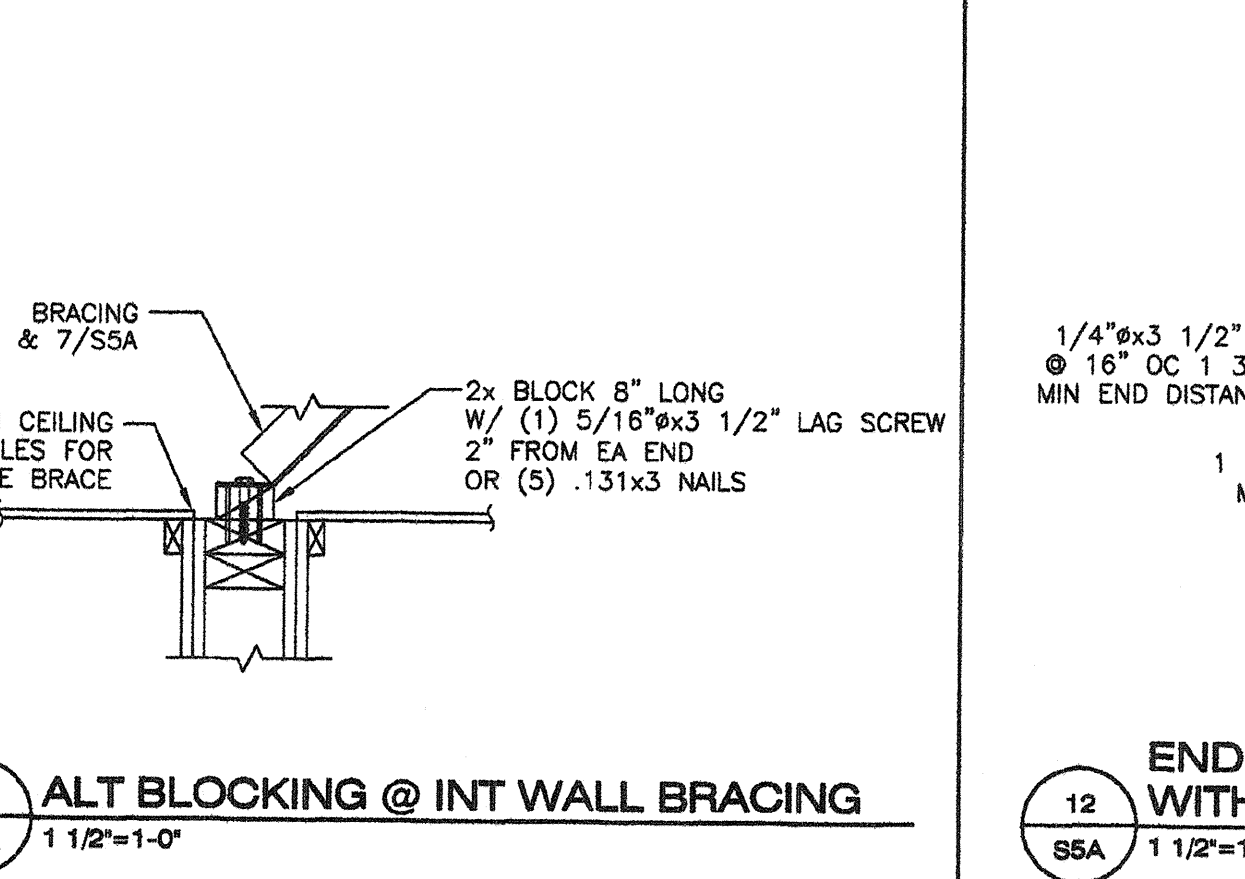
**16 TYP. INT. NON-BEARING WALL BASE ATTACHMENT**  
 S5A 1 1/2"=1'-0" (WALL PERPENDICULAR TO FLOOR JOISTS)



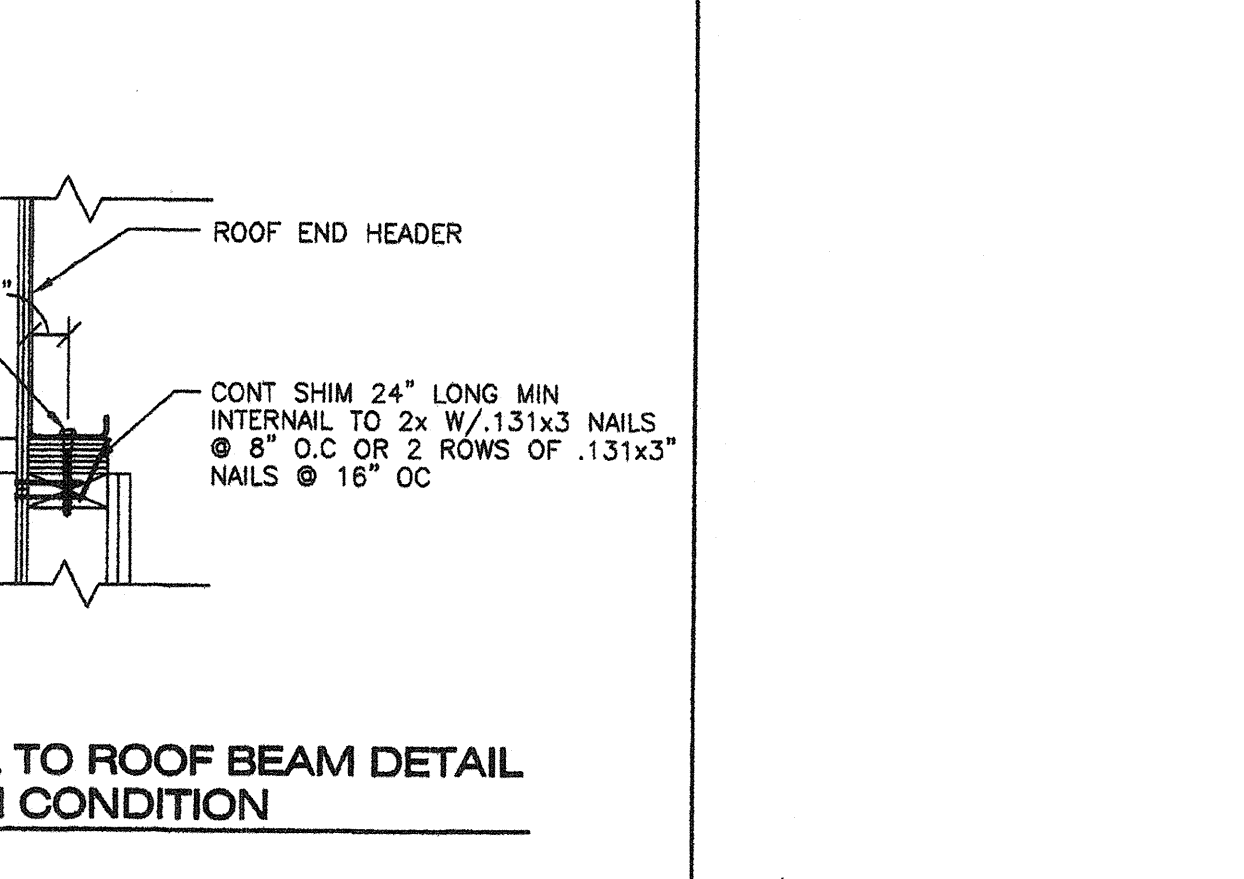
**2 WALL HUNG HVAC DETAIL ATTACHMENT**  
 S5A 1 1/2"=1'-0"



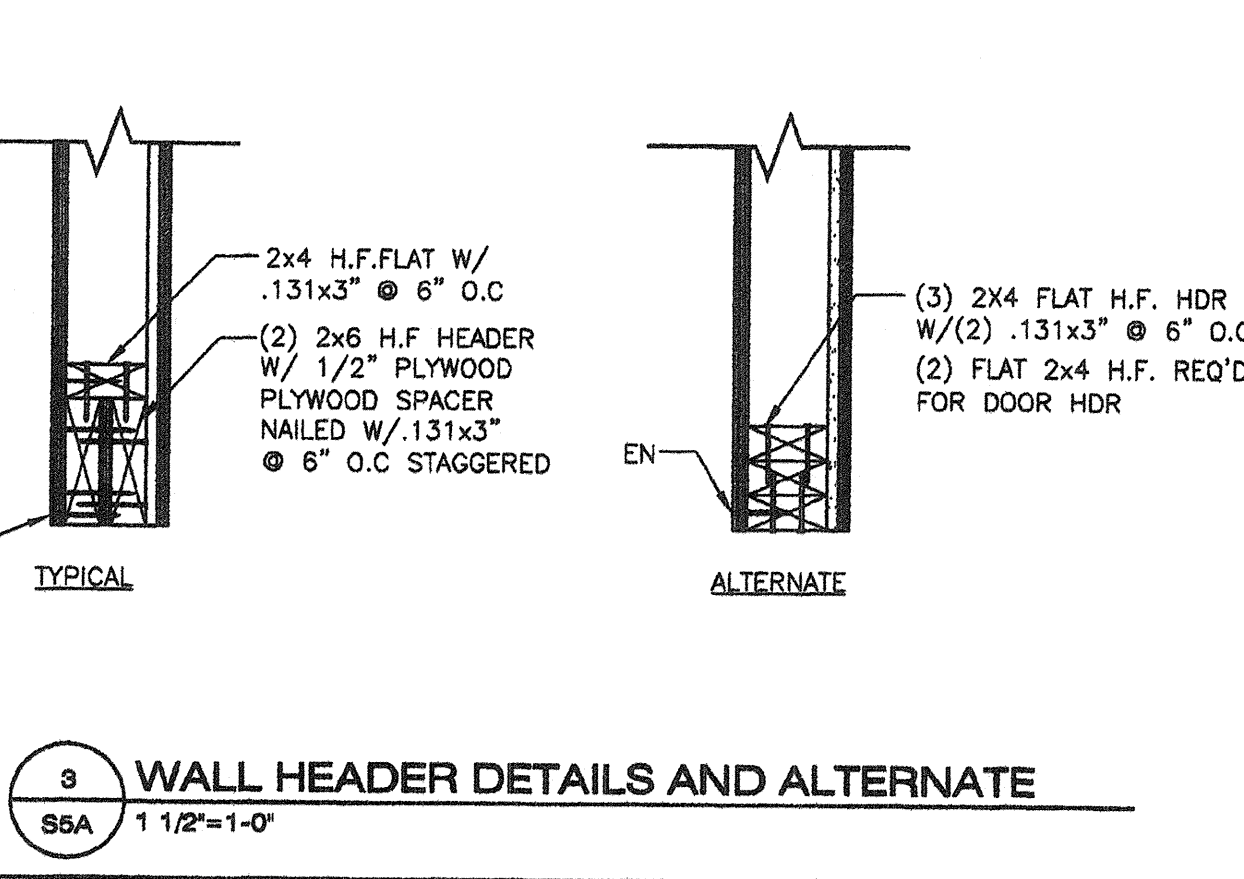
**6 ALT. INTERIOR WALL BRACING w/EMT BRACE**  
 S5A 1 1/2"=1'-0" (BRACE PARALLEL TO PURLINS)



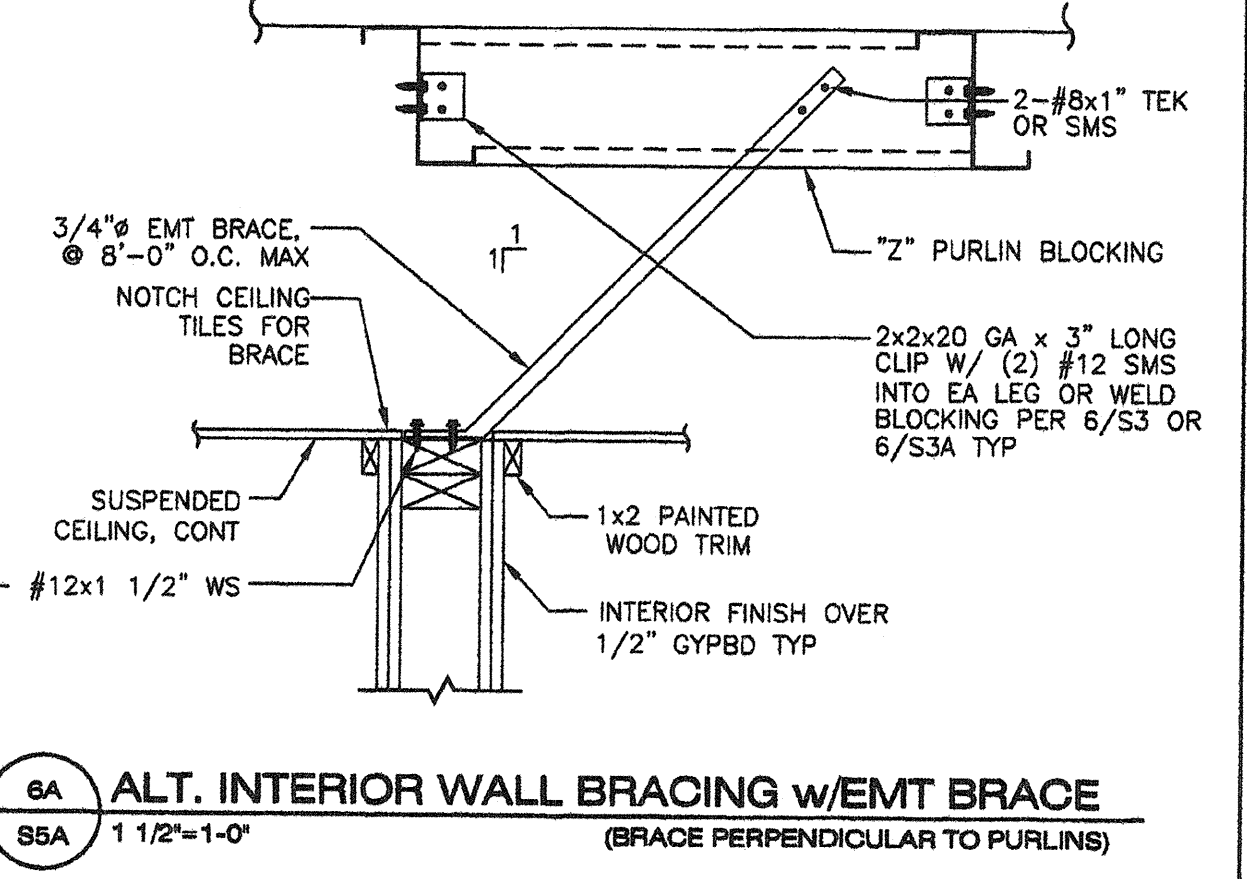
**8A ALT BLOCKING @ INT WALL BRACING**  
 S5A 1 1/2"=1'-0"



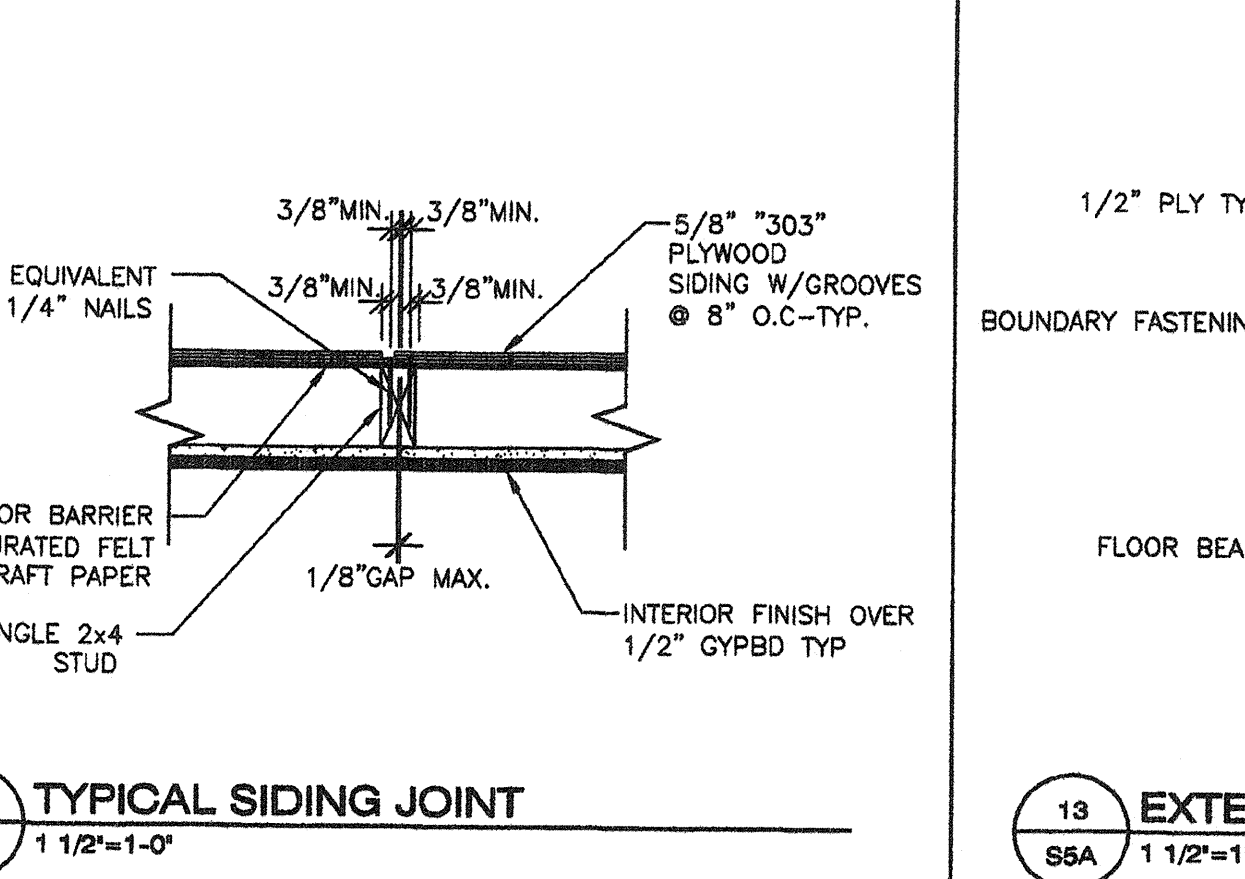
**12 END WALL TO ROOF BEAM DETAIL WITH SHIM CONDITION**  
 S5A 1 1/2"=1'-0"



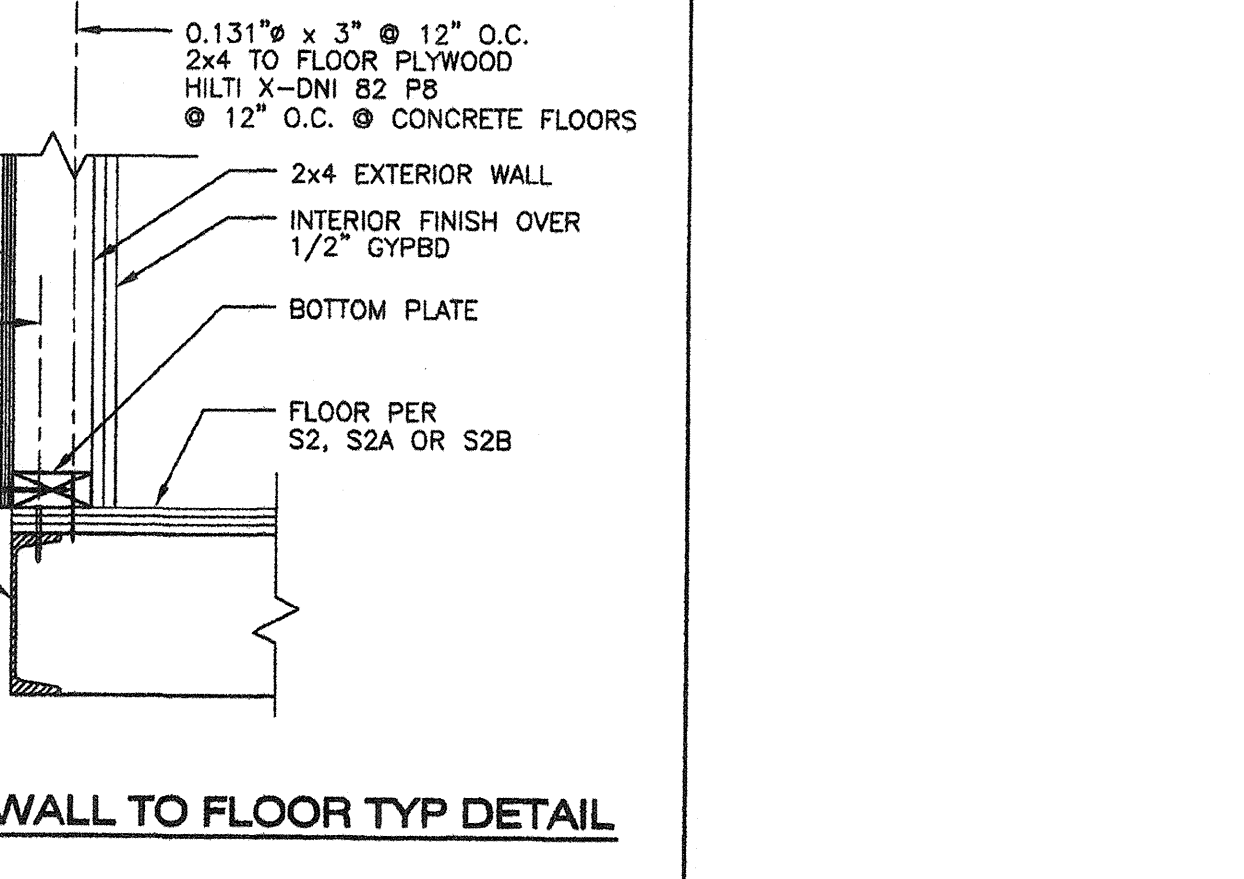
**3 WALL HEADER DETAILS AND ALTERNATE**  
 S5A 1 1/2"=1'-0"



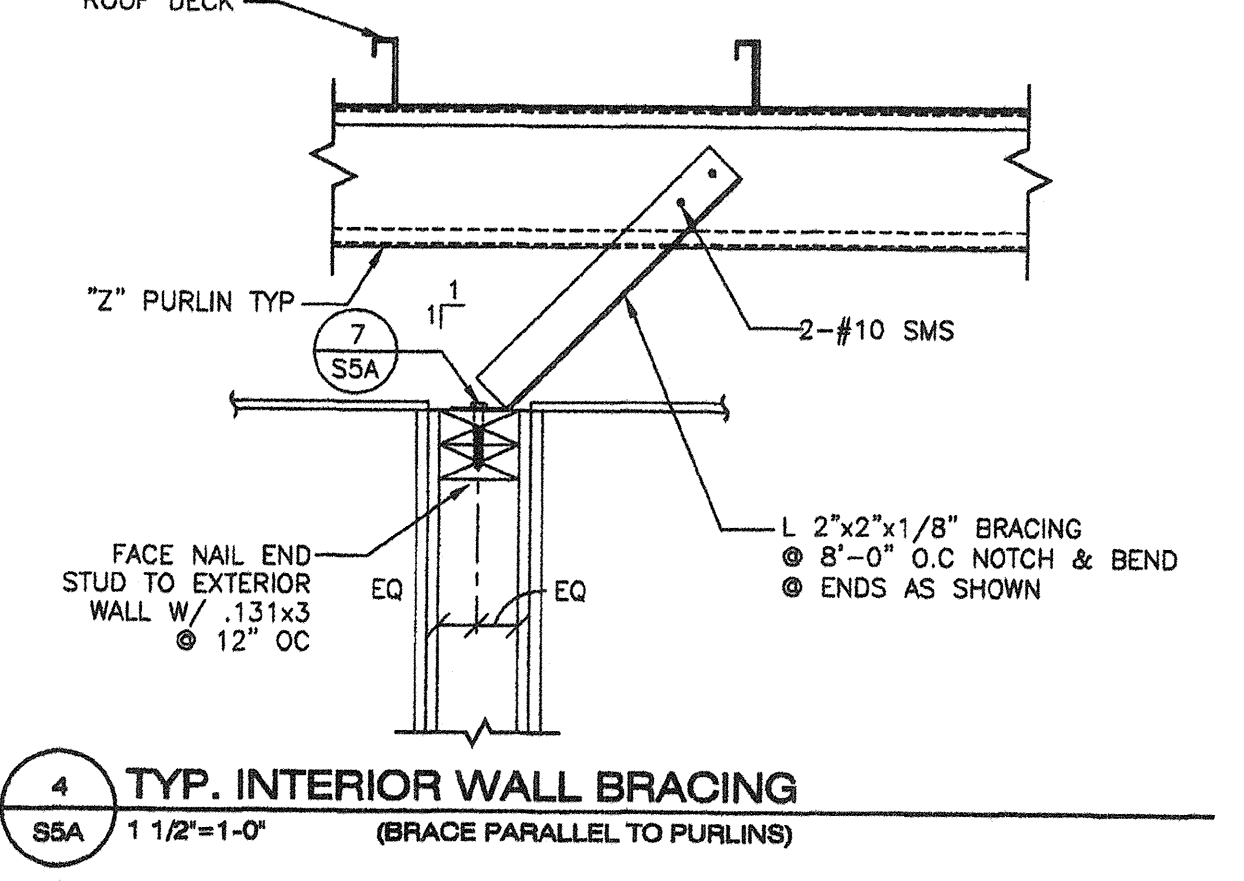
**6A ALT. INTERIOR WALL BRACING w/EMT BRACE**  
 S5A 1 1/2"=1'-0" (BRACE PERPENDICULAR TO PURLINS)



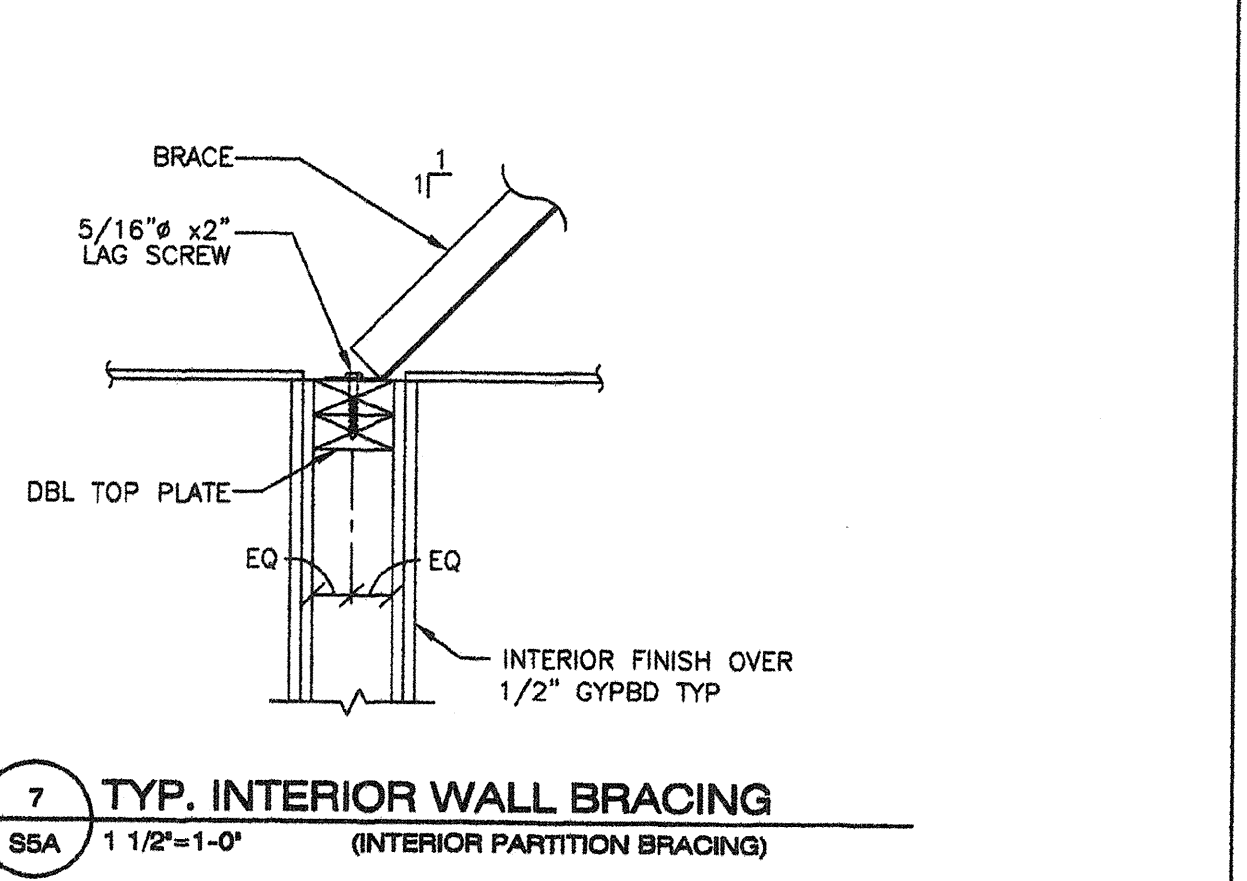
**9 TYPICAL SIDING JOINT**  
 S5A 1 1/2"=1'-0"



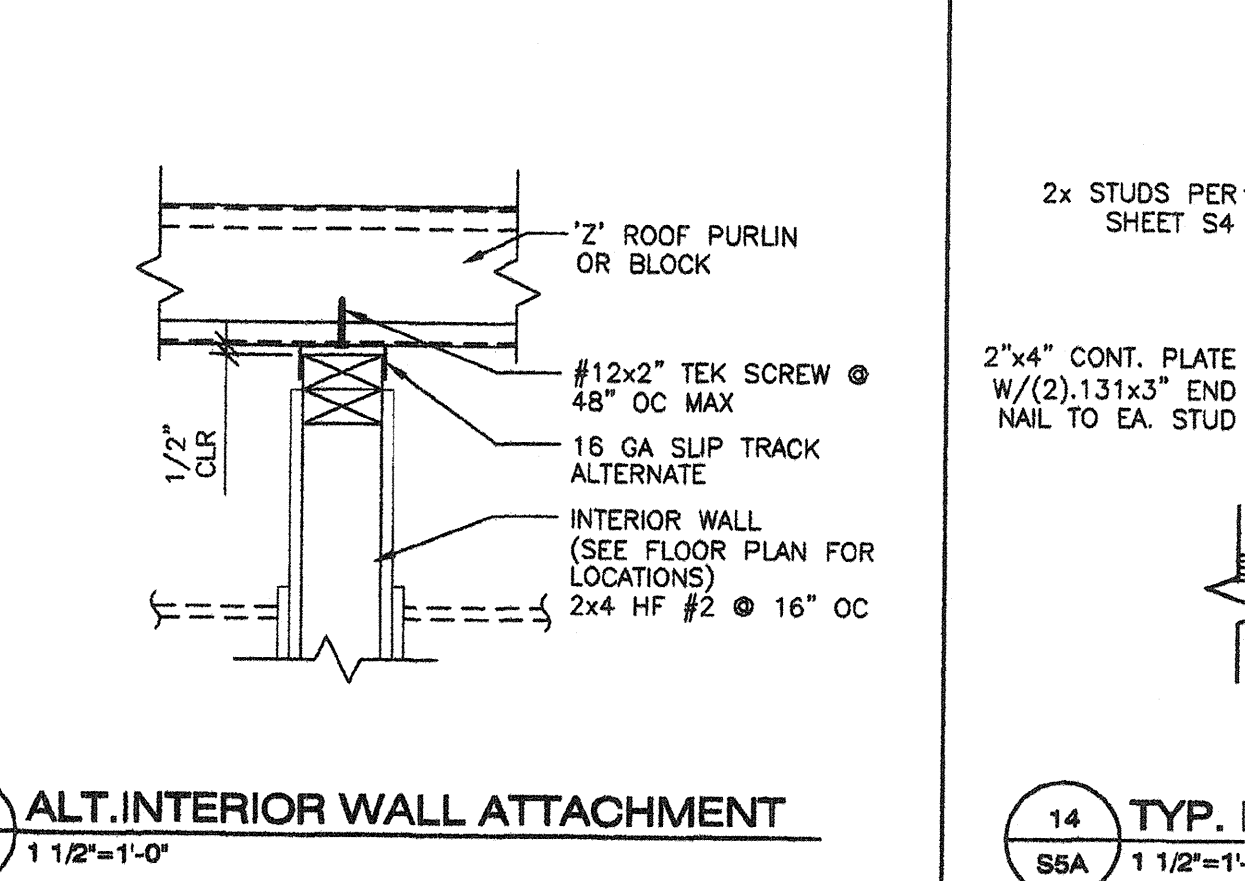
**13 EXTERIOR WALL TO FLOOR TYP DETAIL**  
 S5A 1 1/2"=1'-0"



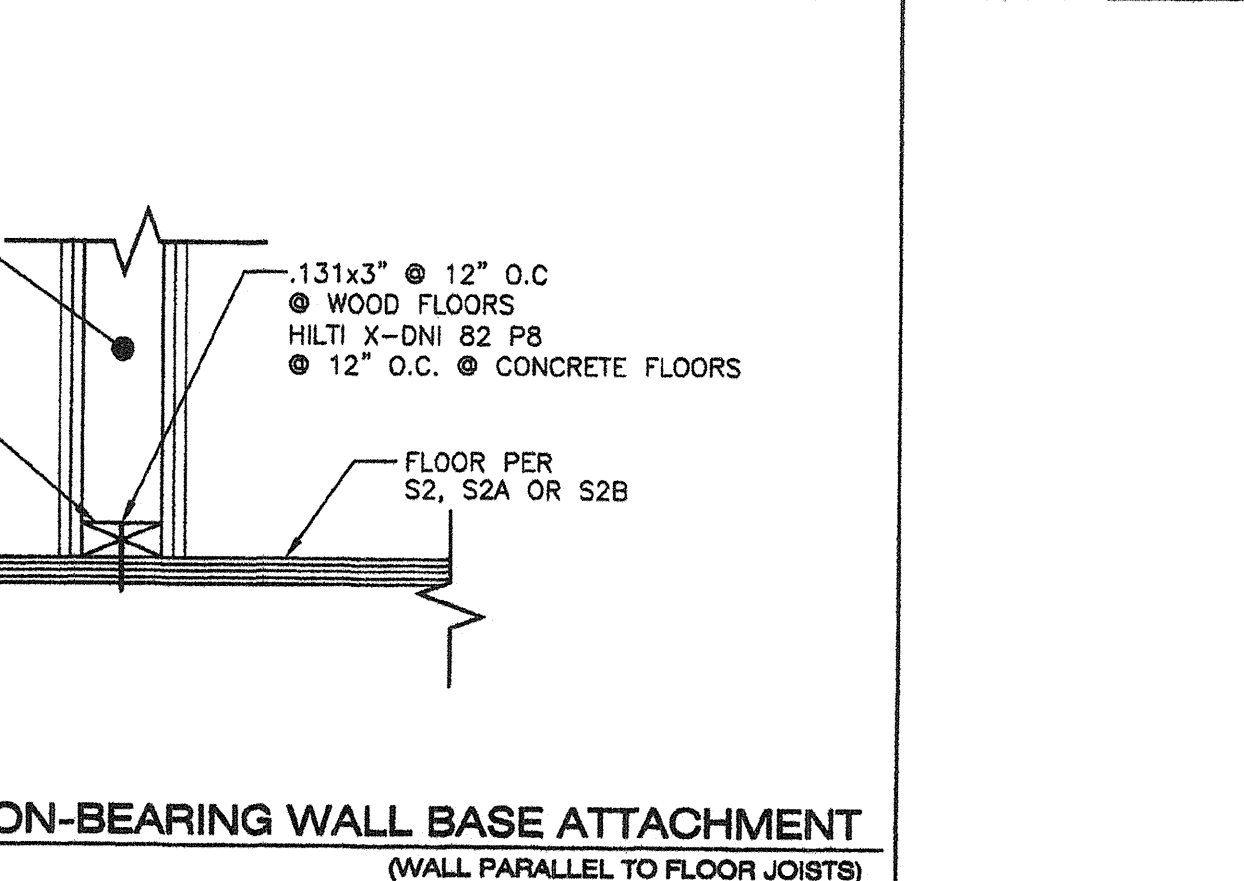
**4 TYP. INTERIOR WALL BRACING**  
 S5A 1 1/2"=1'-0" (BRACE PARALLEL TO PURLINS)



**7 TYP. INTERIOR WALL BRACING**  
 S5A 1 1/2"=1'-0" (INTERIOR PARTITION BRACING)



**10 ALT. INTERIOR WALL ATTACHMENT**  
 S5A 1 1/2"=1'-0"

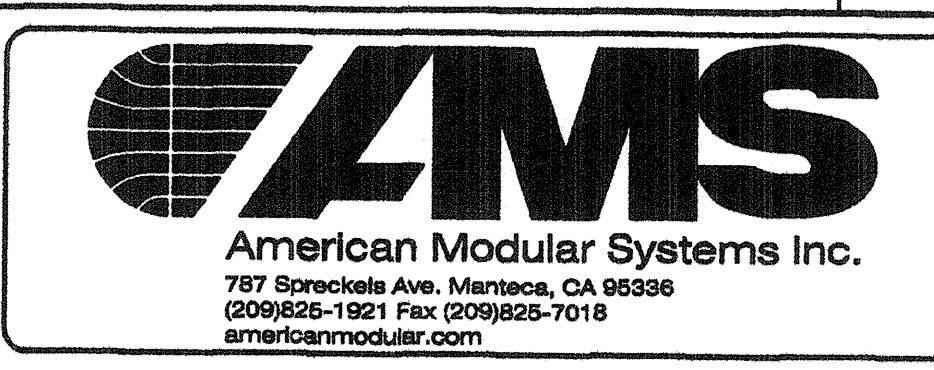


**14 TYP. INT. NON-BEARING WALL BASE ATTACHMENT**  
 S5A 1 1/2"=1'-0" (WALL PARALLEL TO FLOOR JOISTS)

REVISIONS		
NO	DATE	DESCRIPTION

DATE: 02/25/08  
 SCALE: NOTED  
 DRAWN BY: DM  
 SERIAL NO.:

CUSTOMER:  
 12 x 40' RELOCATABLE BUILDINGS  
 WALL FRAMING DETAILS



APPROVALS:  
 THESE DRAWINGS ARE PRELIMINARY AND NOT FOR CONSTRUCTION UNLESS STAMPED & SIGNED BY THE ENGINEER OF RECORD.  
 Registered Professional Engineer  
 Kenneth A. Luttrell  
 No. 1418  
 Exp. 3-31-11  
 Structural Engineer  
 State of California

IDENTIFICATION STAMP  
 DIV. OF THE STATE ARCHITECT  
 OFFICE OF REGULATION SERVICES  
 03-112085  
 AC: FLS S5A  
 DATE: 2/10/08

IDENTIFICATION STAMP  
 DIV. OF THE STATE ARCHITECT  
 OFFICE OF REGULATION SERVICES  
 PC 02-109808  
 AC: FLS S5A  
 DATE: 4/1/08  
 PROJECT No.  
**S5A**

THESE CHANGES AND SPECIFICATIONS ARE THE PROPERTY OF AMERICAN MODULAR SYSTEMS, INC. AND ARE NOT TO BE REPRODUCED, CHANGED OR COPIED IN ANY FORM OR MANNER, NOR ARE THEY TO BE ASSIGNED TO ANY THIRD PARTY WITHOUT THE WRITTEN AUTHORIZATION OF AMERICAN MODULAR SYSTEMS, INC.