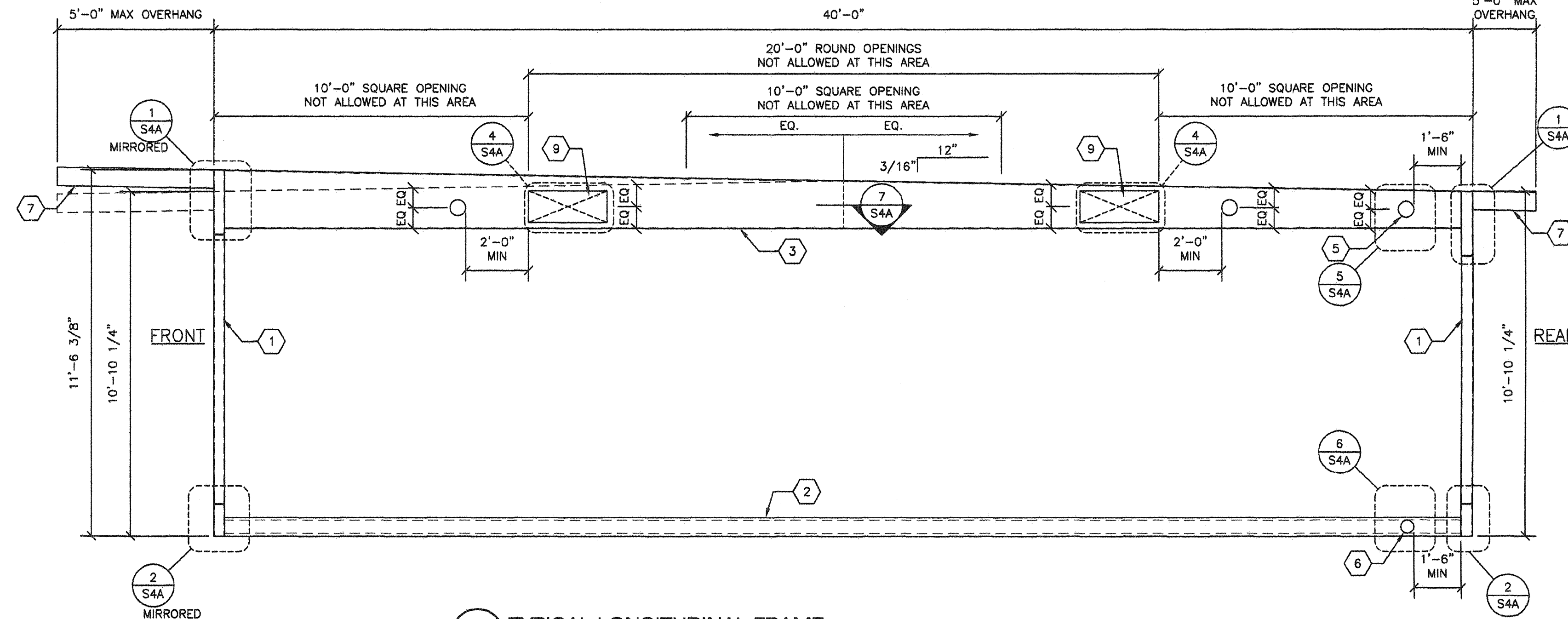
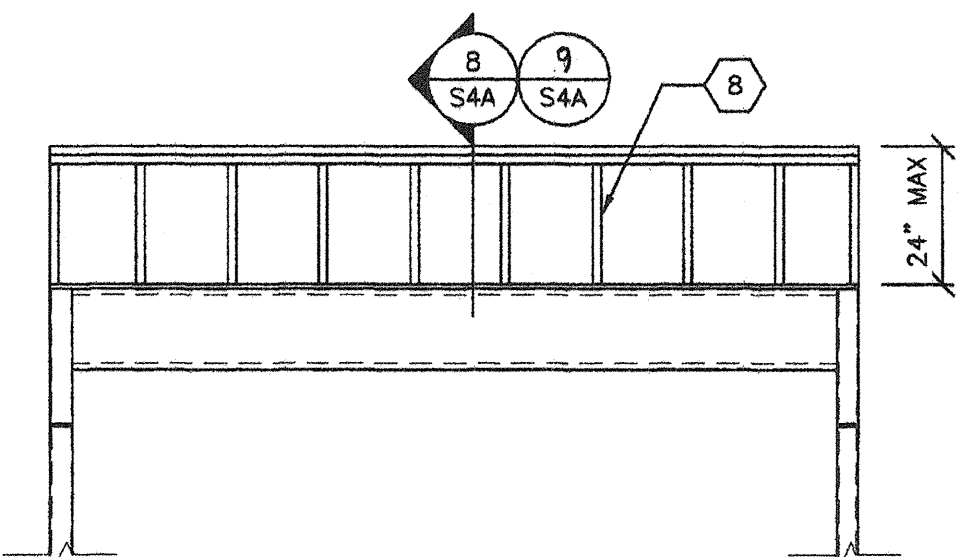


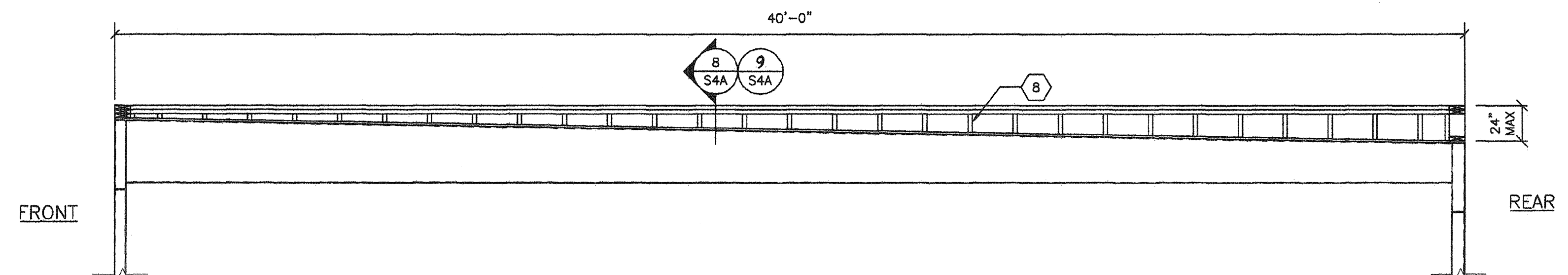
2 TYPICAL TRANSVERSE FRAME  
S4 3/8"=1'-0"



1 TYPICAL LONGITUDINAL FRAME  
S4 3/8"=1'-0"



4 PARAPET WALL OPTION @ TRANSVERSE FRAME  
S4 3/8"=1'-0"



3 PARAPET WALL OPTION @ LONGITUDINAL FRAME  
S4 3/8"=1'-0"

- KEY NOTES -**
- 1 4x4x5/16 HSS COLUMN
  - 2 FLOOR BEAM PER SCHEDULE
  - 3 10 GA. LONGITUDINAL ROOF CHANNEL  
14"-18"-14" @ DOUBLE SLOPE  
14"-22" @ SINGLE SLOPE
  - 4 12 GA. TRANSVERSE ROOF CHANNEL  
14" MIN 22" MAX
  - 5 6" # MAX OPENING IN WEB OF ROOF BEAM  
WITHOUT WEB REINFORCEMENT  
MINIMUM SPACING OF HOLES @ 48" O.C.  
HOLES MAY OCCUR @ ANY LOCATION ALONG  
LENGTH OF ROOF BEAM EXCEPT AS NOTED  
OTHERWISE ON FRAMING ELEVATION  
NOTE: IF HOLE IS 3" OR LESS THEY MAY BE  
SPACED AT 24" O.C. MINIMUM
  - 6 4" # MAX OPENING IN WEB OF FLOOR BEAM  
WITHOUT WEB REINFORCEMENT  
MINIMUM SPACING OF HOLES @ 48" O.C.  
HOLES MAY OCCUR @ ANY LOCATION ALONG  
LENGTH OF FLOOR BEAM WITH DIRECT  
FOUNDATION SUPPORT BELOW. OPENINGS  
ARE NOT ALLOWED WHERE BEAMS ARE  
SPANNING BETWEEN FOUNDATIONS OR ACROSS  
VENT OPENINGS.  
NOTE: IF HOLE IS 2" OR LESS THEY MAY BE  
SPACED AT 24" MINIMUM
  - 7 14 GA. OUTRIGGER CHANNEL AT OPTIONAL  
ENCLOSED OVERHANG  
REFER TO DETAIL 1/S4A
  - 8 2x6 H.F. #2 OR BETTER STUDS @ 16" O.C.
  - 9 12"x 30" MAX OPENING ALLOWED ONLY  
AT EXTERIOR BEAMS WITH A WALL DIRECTLY  
BELOW. IF WALL BELOW IT IS REMOVED THEN  
A COLUMN MUST BE ADDED AT MID SPAN.  
REFER TO DETAIL 4/S4A FOR OPENING  
REINFORCEMENT

**- FLOOR BEAM SCHEDULE -**

SUBFLOOR TYPE	FLOOR BEAM SIZE	ALTERNATES
VIROC OR PLYWOOD	C7x9.8	C9x13.4, C10x15.3
CONCRETE	C9x13.4	C10x15.3

**REVISIONS**

NO	DATE	DESCRIPTION

DATE: 02/25/08  
SCALE: NOTED  
DRAWN BY: DM  
SERIAL NO.:

CUSTOMER:  
  
12' x 40' RELOCATABLE BUILDINGS  
TYPICAL FRAME ELEVATIONS



APPROVALS:  
THESE DRAWINGS ARE PRELIMINARY AND NOT FOR CONSTRUCTION UNLESS STAMPED & SIGNED BY THE ENGINEER OF RECORD.  
Kenneth A. Luttrell  
No. 1419  
EXP. 3-31-11  
Structural Engineer  
STATE OF CALIFORNIA

IDENTIFICATION STAMP  
DIV. OF THE STATE ARCHITECT  
OFFICE OF REGULATION SERVICES  
PC 02-109808  
03-112985  
AC FLS  
DATE 2/11/09

PROJECT No.  
  
S4

THESE DRAWINGS AND SPECIFICATIONS ARE THE PROPERTY OF AMERICAN MODULAR SYSTEMS, INC. AND ARE NOT TO BE REPRODUCED, CHANGED OR COPIED IN ANY FORM OR MANNER, NOR ARE THEY TO BE ASSIGNED TO ANY THIRD PARTY WITHOUT THE WRITTEN AUTHORIZATION OF AMERICAN MODULAR SYSTEMS, INC.