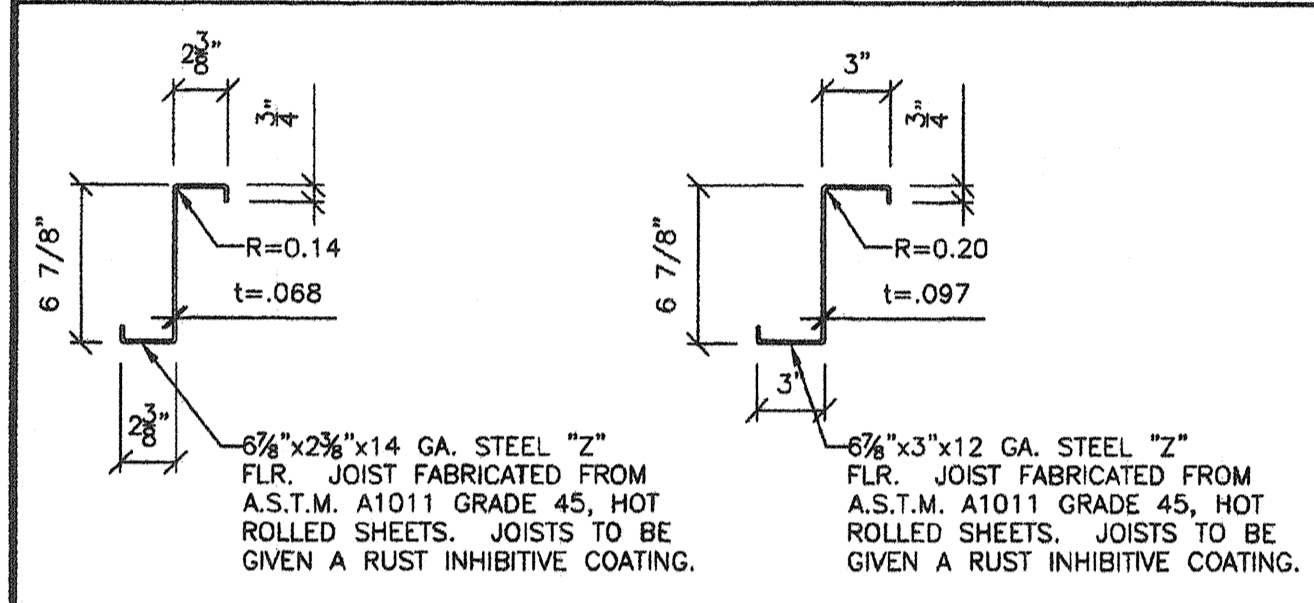


1 TYP. Z-JOIST ATTACHMENT TO BEAM  
S2 1 1/2"=1'-0"



14 GA. JOIST

12 GA. JOIST

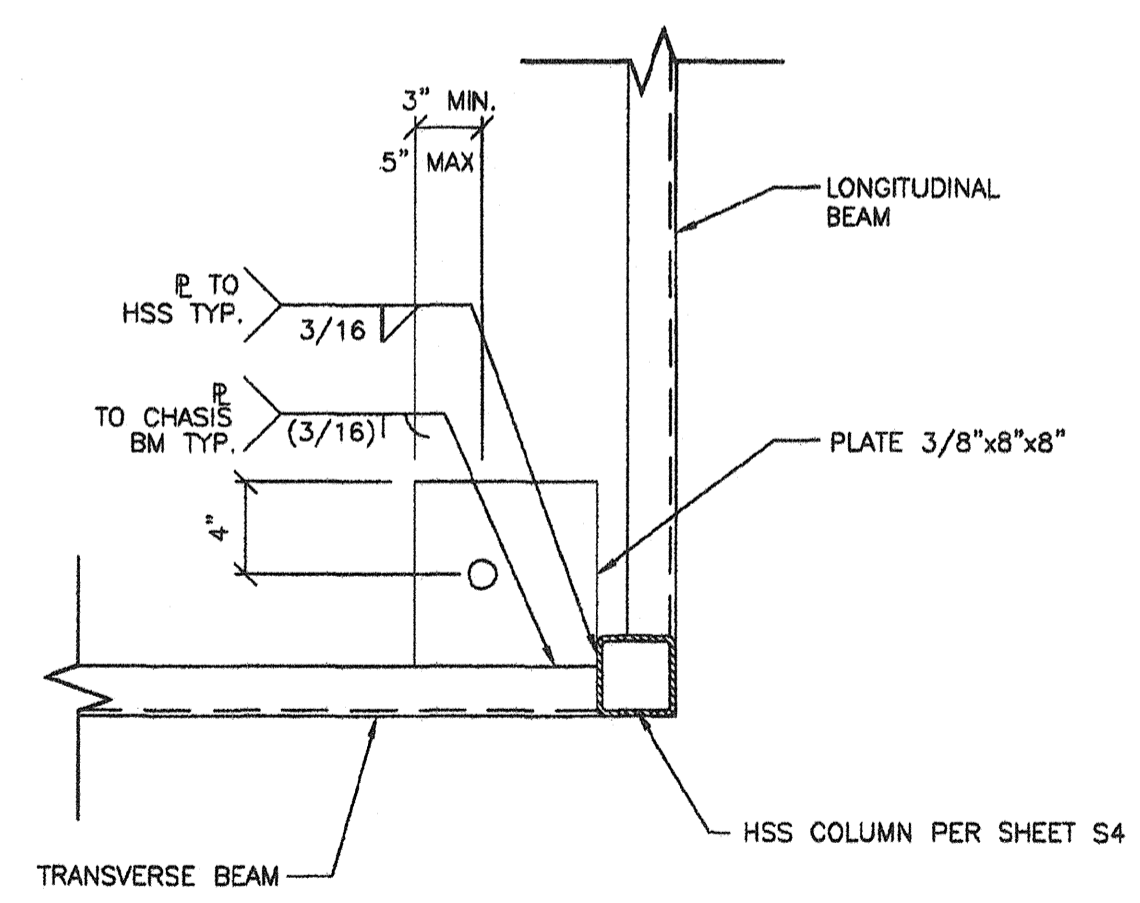
Z SECTION PROPERTIES

A=0.89 IN. <sup>2</sup>
Sx=1.85 IN. <sup>3</sup>
Ix=6.37 IN. <sup>4</sup>

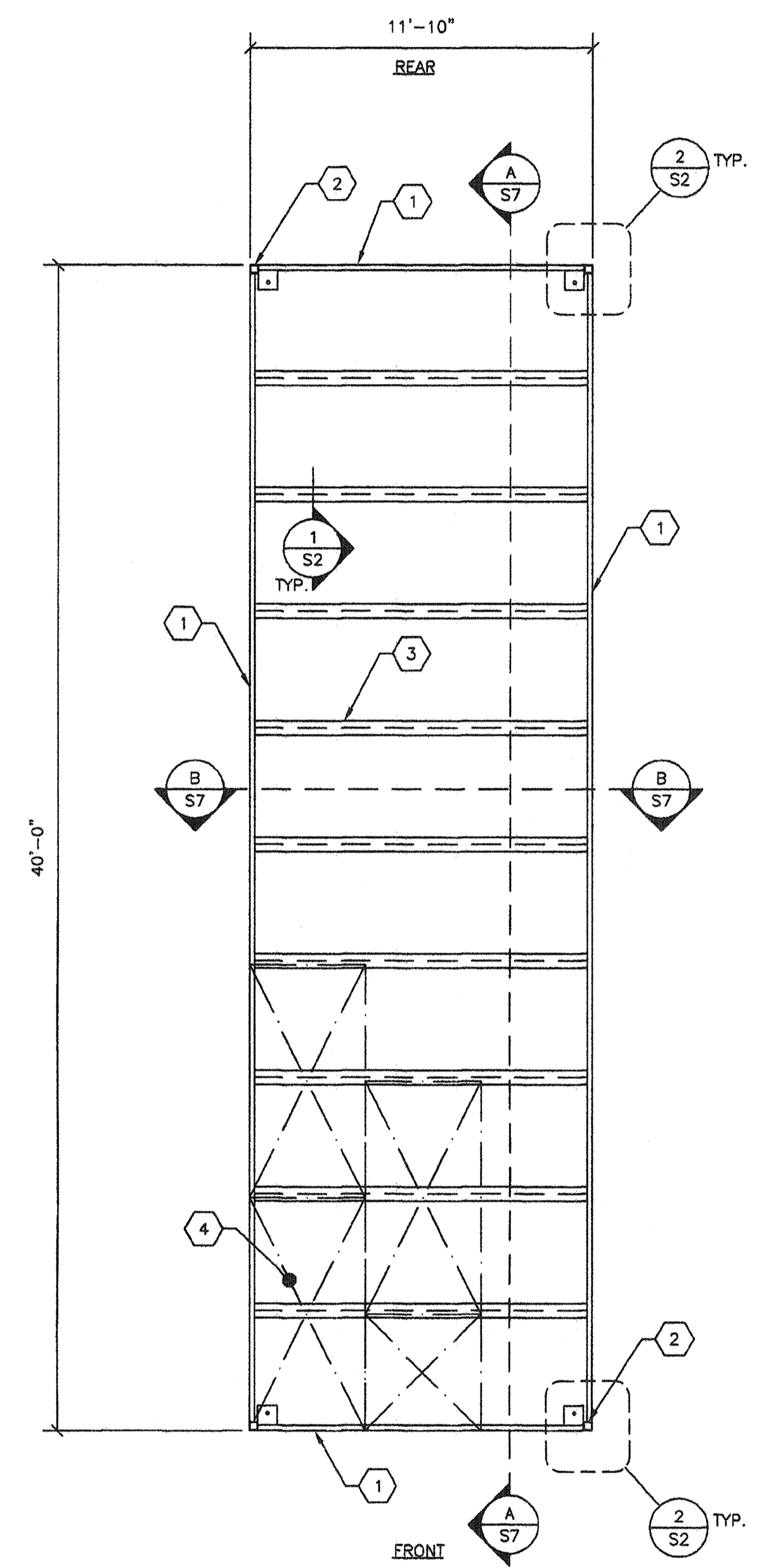
Z SECTION PROPERTIES

A=1.38 IN. <sup>2</sup>
Sx=2.97 IN. <sup>3</sup>
Ix=10.20 IN. <sup>4</sup>

1A TYP. Z-JOISTS  
S2 1 1/2"=1'-0"



2 TYP. FL. BEAM CONNECTION  
S2 1 1/2"=1'-0"



A TYPICAL FLOOR FRAMING PLAN  
S2 1/4"=1'-0" PLYWOOD FLOOR

- KEY NOTES -

- C 7x8.8 FLOOR BEAM FOR 50 PSF + 15 PSF ALTERNATE C10x15.3 C 9x13.4 FOR 125 PSF
- HSS COLUMN PER SHEET S4
- FLOOR JOIST PER SCHEDULE (SEE 1A/S2)

FLOOR JOIST SCHEDULE		
LIVE LOAD PSF	SPACING	
	14 GA. JOIST	12 GA. JOIST
50 + 15	24" O.C.	48" O.C.
125		24" O.C.

- 1 1/8" T&G PLYWOOD FLOOR SH'T'G STURDI-I-FLOOR 48" O.C SPAN RATING EXP. 1 CONFORMING TO PS 1-95 OPTION: UNI-FLOOR BY PITTSBURGH TESTING LAB CONFORMING TO PS 1-95. STAGGER SHEETS 48" O.C AS SHOWN W/ FACE GRAIN NORMAL TO FLOOR JOISTS. FASTENING: BOUNDARY OF EA. MODULE: #12x2 1/4" WOOD TEK @ CHANNEL @ 6" O.C PANEL EDGES: ET&F 0.144"x2" MIN. POWER DRIVEN PINS @ 6" O.C FIELD: ET&F 0.144"x2" MIN. POWER DRIVEN PINS @ 10" O.C.  
NOTE: SEE ICC ER-4144 FOR ET&F BRAND PNEUMATIC PINS.

- GENERAL NOTES -

- THE MATERIAL THICKNESS OF STRUCTURAL MEMBER, IN THEIR END-USE, SHALL MEET OR EXCEED THE MINIMUM BASE METAL THICKNESS SPECIFIED IN THE TABLE OR IN THE PLAN. THE MATERIAL GAGE DESIGNATION IN THE PLAN SHALL BE USED AS REFERENCE ONLY.

REVISIONS

NO.	DATE	DESCRIPTION

DATE: 02/21/08  
SCALE: NOTED  
DRAWN BY: DM  
SERIAL NO.:

CUSTOMER:  
**12' x 40' RELOCATABLE BUILDINGS  
FLOOR FRAMING PLAN & DETAILS (PLYWOOD OPTION)**

APPROVALS:

THESE DRAWINGS ARE PRELIMINARY AND NOT FOR CONSTRUCTION UNLESS STAMPED & SIGNED BY THE ENGINEER OF RECORD.

IDENTIFICATION STAMP  
DIV. OF THE STATE ARCHITECT  
OFFICE OF REGULATION SERVICES  
05-112985  
AC: FLS  
DATE: 2/10/08

IDENTIFICATION STAMP  
DIV. OF THE STATE ARCHITECT  
OFFICE OF REGULATION SERVICES  
PC 02-109806  
AC: FLS  
DATE: 2/10/08

PROJECT No.  
**S2**