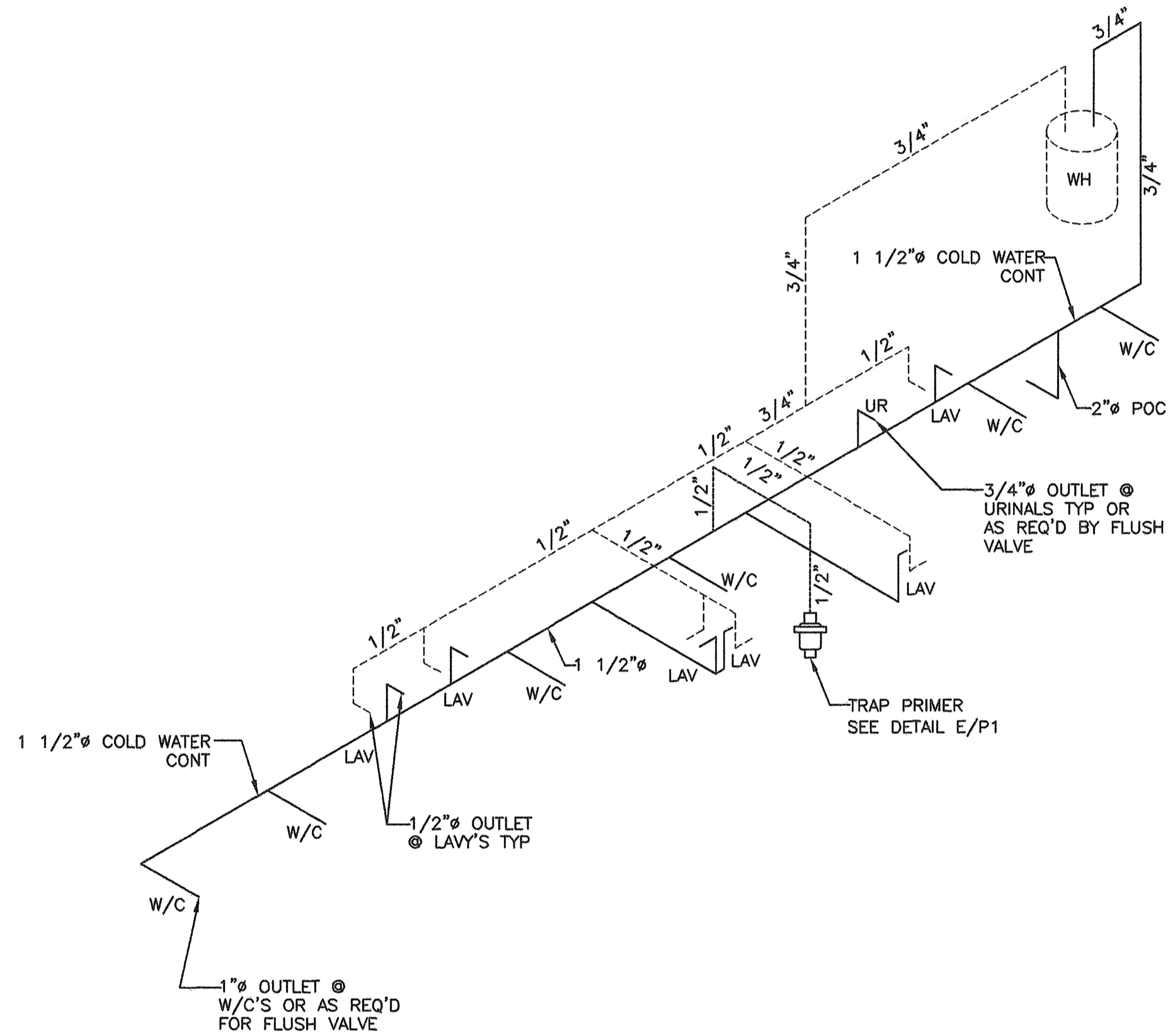


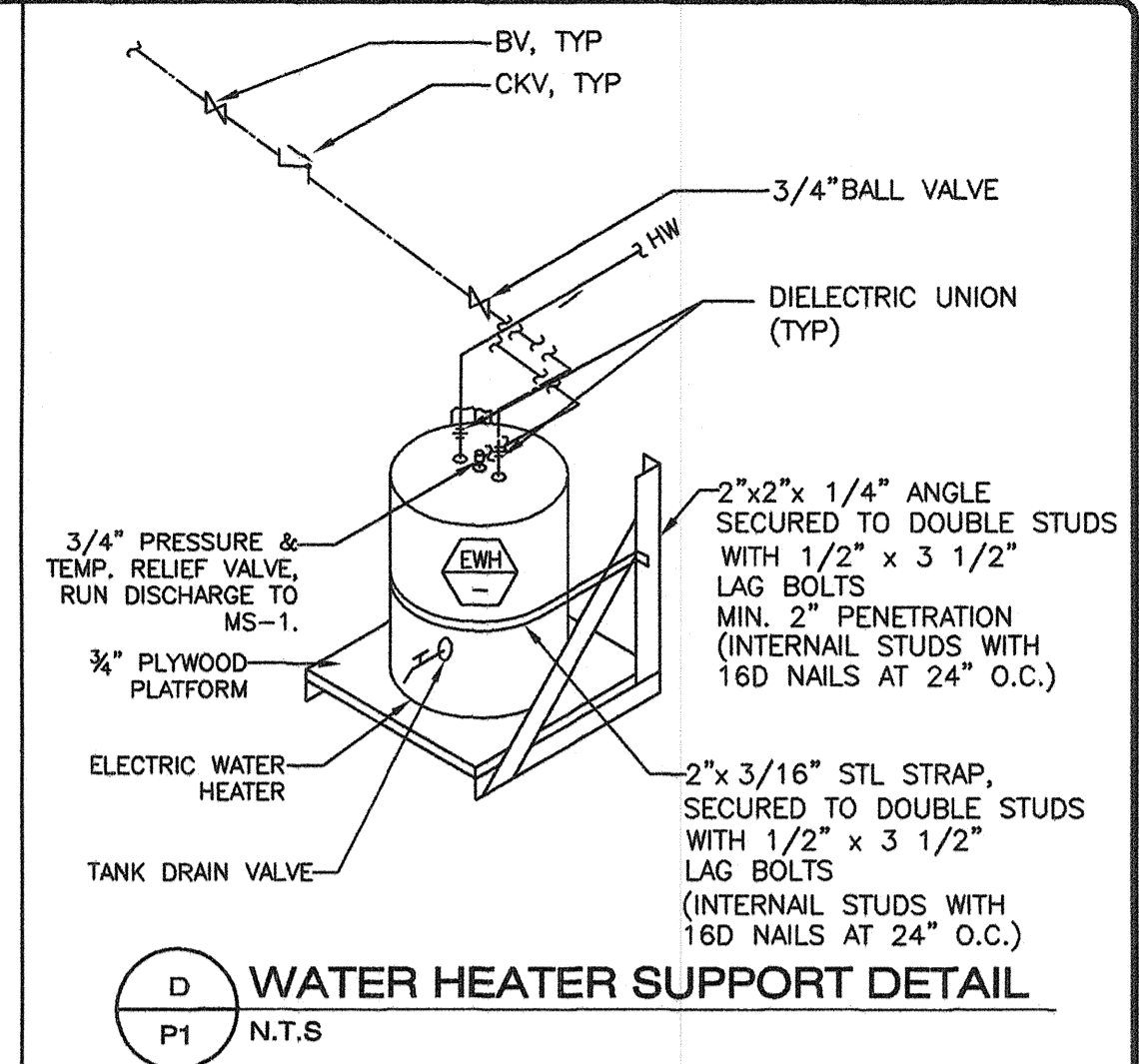
**3C WASTE ISOMETRIC**  
P1 NO SCALE



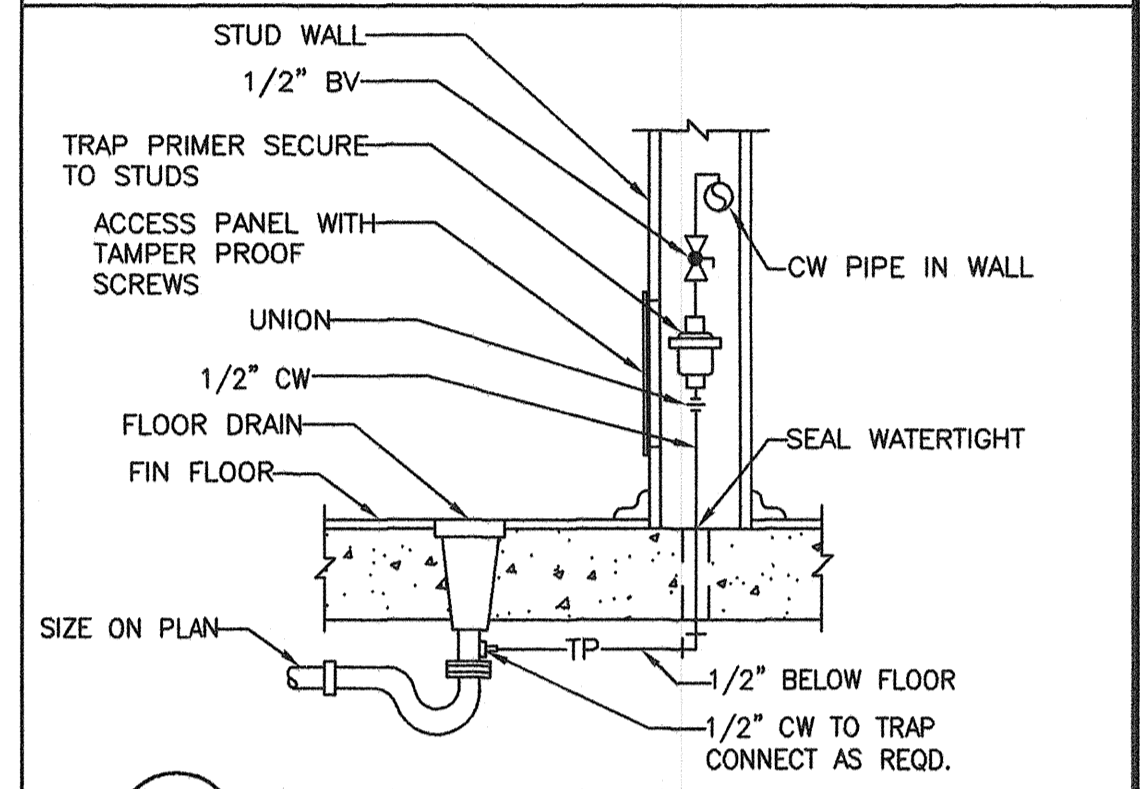
**3B WATER SUPPLY ISOMETRIC**  
P1 NO SCALE

**3A RESTROOM OPTION #3**  
P1 NO SCALE

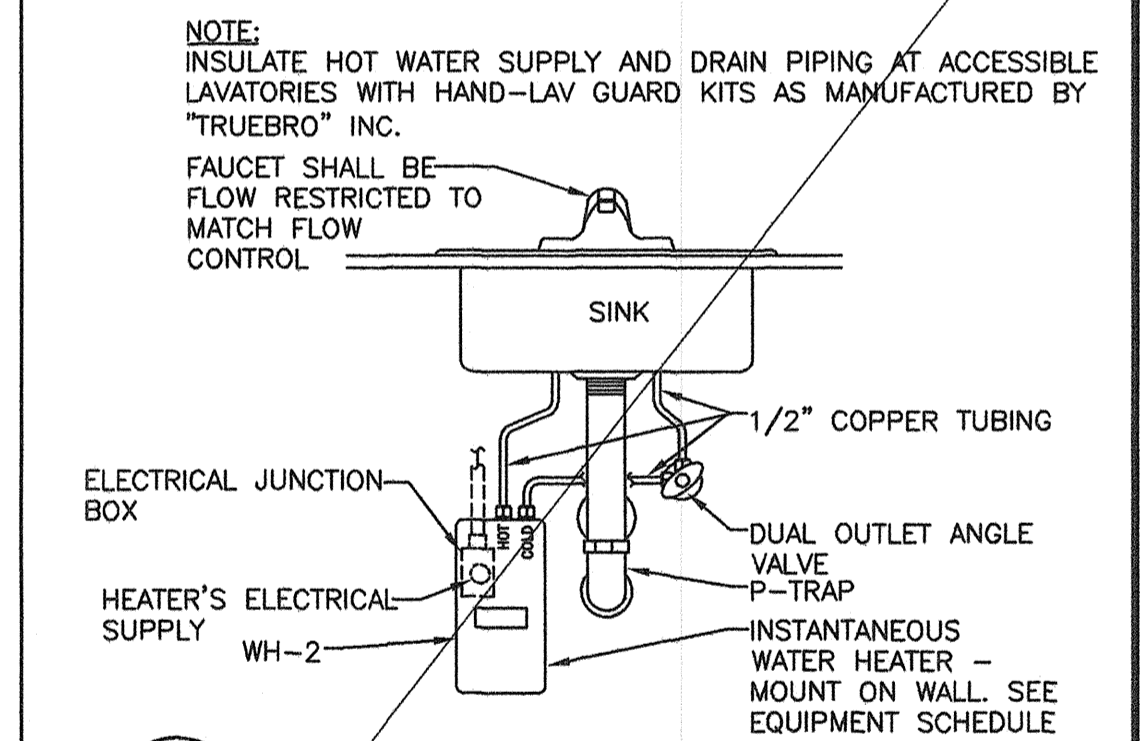
— COLD WATER  
- - - - - HOT WATER



**D WATER HEATER SUPPORT DETAIL**  
P1 N.T.S



**E TRAP PRIMER DETAIL**  
P1 N.T.S



**F INSTANT WATER HEATER DETAIL**  
P1 N.T.S

**SHEET NOTES**

- DWV PIPING SHALL BE ABS PLASTIC
- COLD WATER SUPPLY SHALL BE TYPE L COPPER
- DWV PIPING:  
MIN SLOPE 1/4" PER FOOT  
MAY SLOPE 4" CI @ 1/8" PER FOOT  
VENTS SHALL TERMINATE NOT LESS THAN 10 FEET FROM OR AT LEAST 3 FT. ABOVE ANY WINDOW, DOOR, AIR INTAKE OR VENT SHAFT, NOR LESS THAN 3 FT. IN EVERY DIRECTION FROM ANY LOT LINE, ALLEY AND STREET EXCEPTED; EXTEND 6" ABOVE THE ROOF

REVISIONS		
NO	DATE	DESCRIPTION

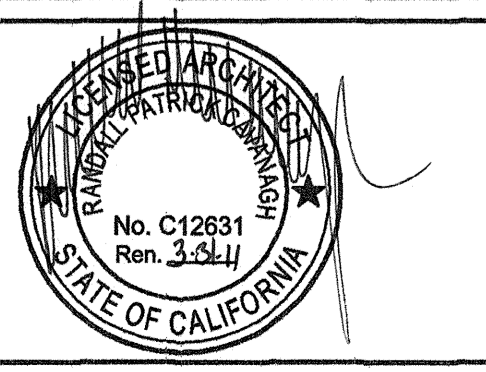
DATE: 01/19/10  
SCALE: NOTED  
DRAWN BY: MP  
SERIAL NO.:

CUSTOMER:  
BAKERSFIELD SCHOOL DISTRICT  
MUNSEY ELEMENTARY SCHOOL

12 x 40 RELOCATABLE BUILDING  
ISOMETRIC PLANS & DETAILS



APPROVALS:



IDENTIFICATION STAMP  
DIV. OF THE STATE ARCHITECT  
OFFICE OF REGULATION SERVICES

03-112985  
AC, FLS, SS  
DATE 2/10/10

PROJECT No.  
**P1**

BASED ON PC# 02-109808

THESE DRAWINGS AND SPECIFICATIONS ARE THE PROPERTY OF AMERICAN MODULAR SYSTEMS, INC. AND ARE NOT TO BE REPRODUCED, CHANGED OR COPIED IN ANY FORM OR MANNER, NOR ARE THEY TO BE ASSIGNED TO ANY THIRD PARTY WITHOUT THE WRITTEN AUTHORIZATION OF AMERICAN MODULAR SYSTEMS, INC.