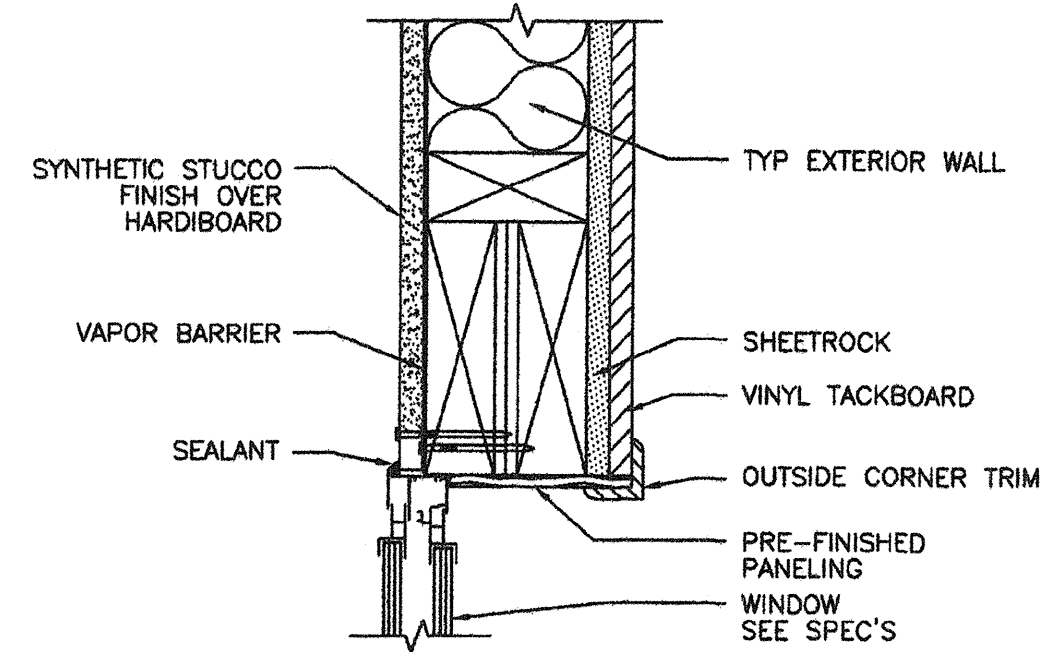
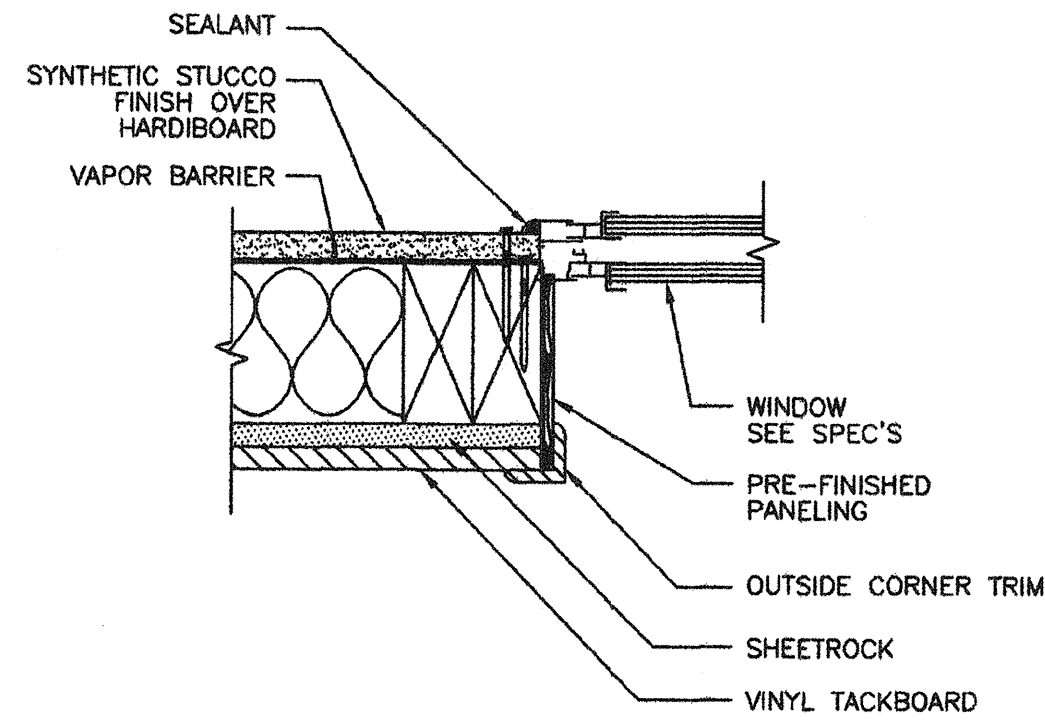


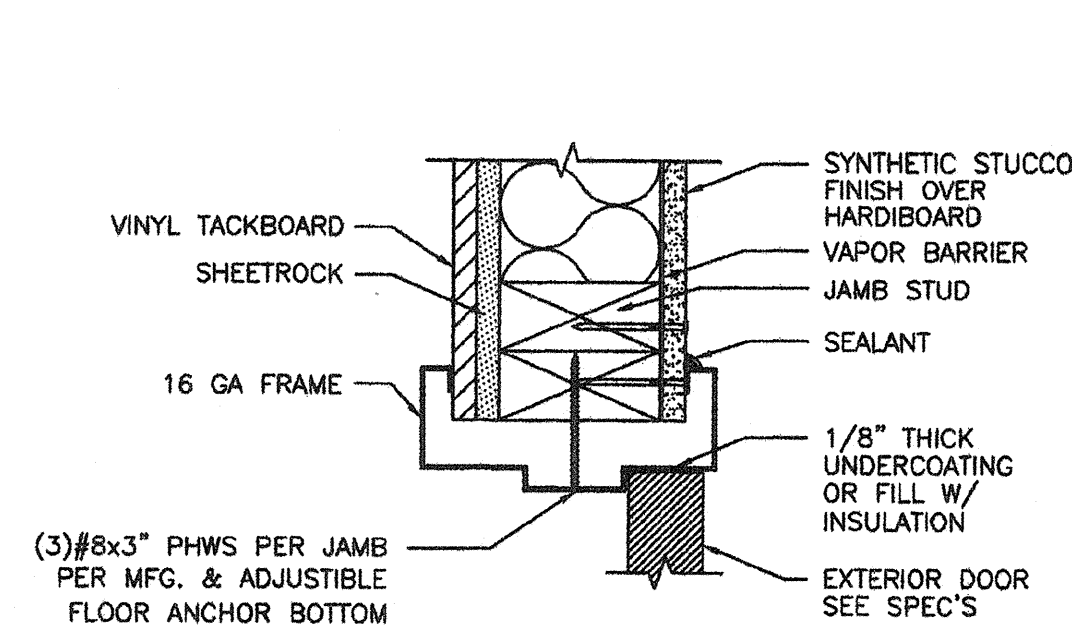
1 TYP WINDOW SILL DETAIL
ABA 3'-1'-0"



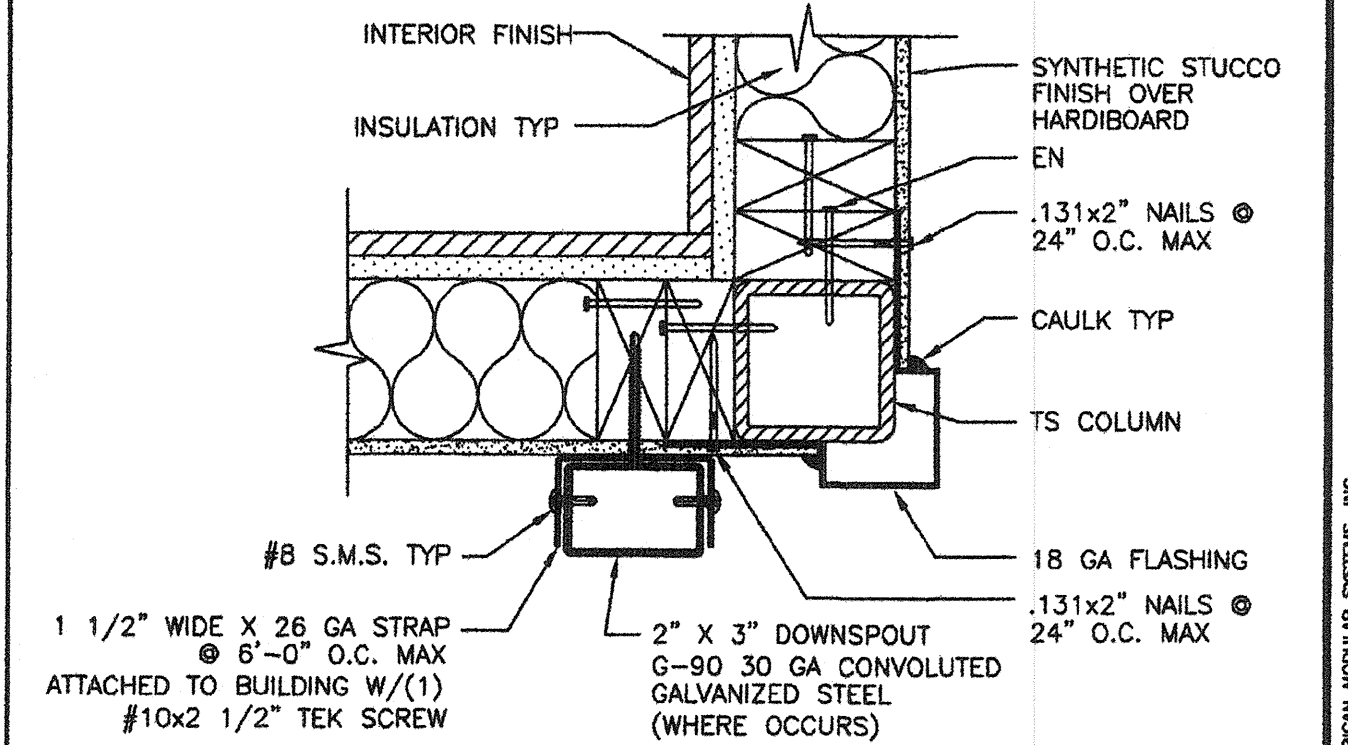
2 TYP WINDOW HEADER DETAIL
ABA 3'-1'-0"



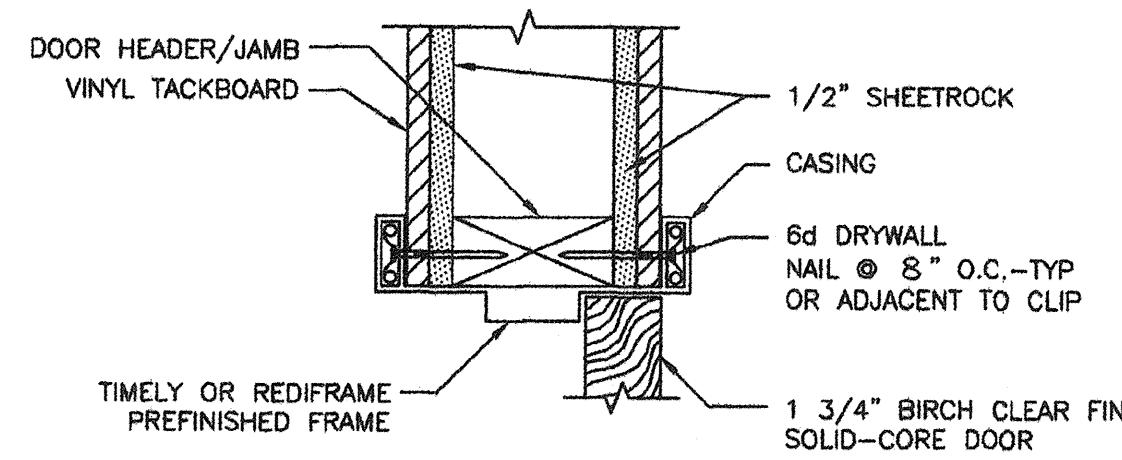
3 TYP WINDOW JAMB DETAIL
ABA 3'-1'-0"



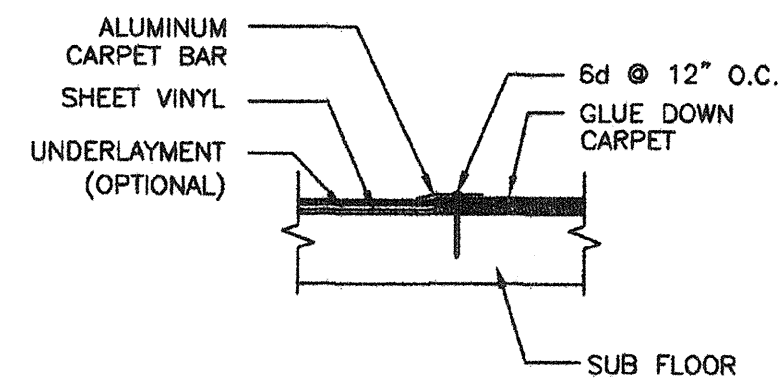
4 TYP DOOR JAMB DETAIL
ABA 3'-1'-0"



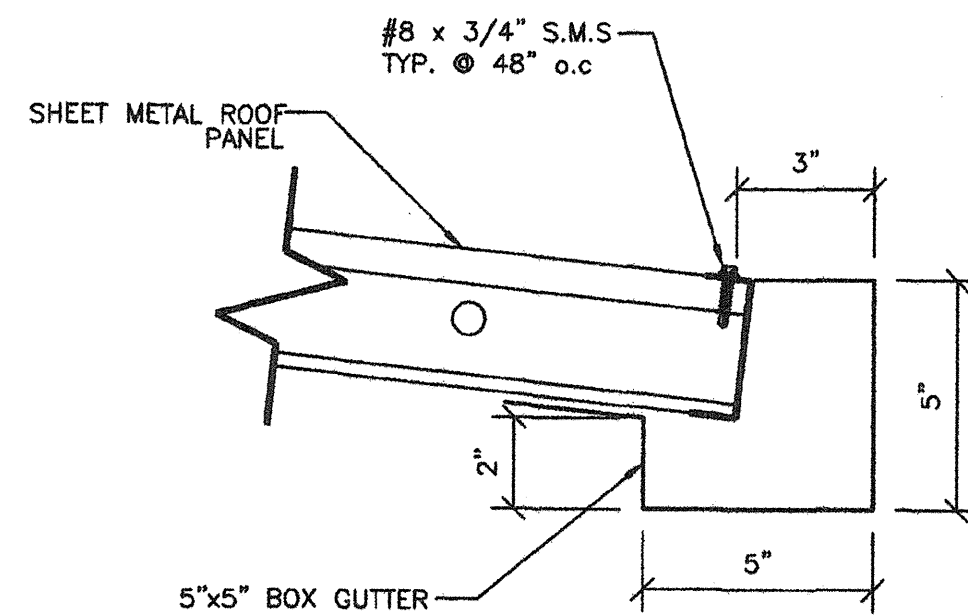
5 DOWNSPOUT ATTACHMENT DETAIL
ABA 3'-1'-0"



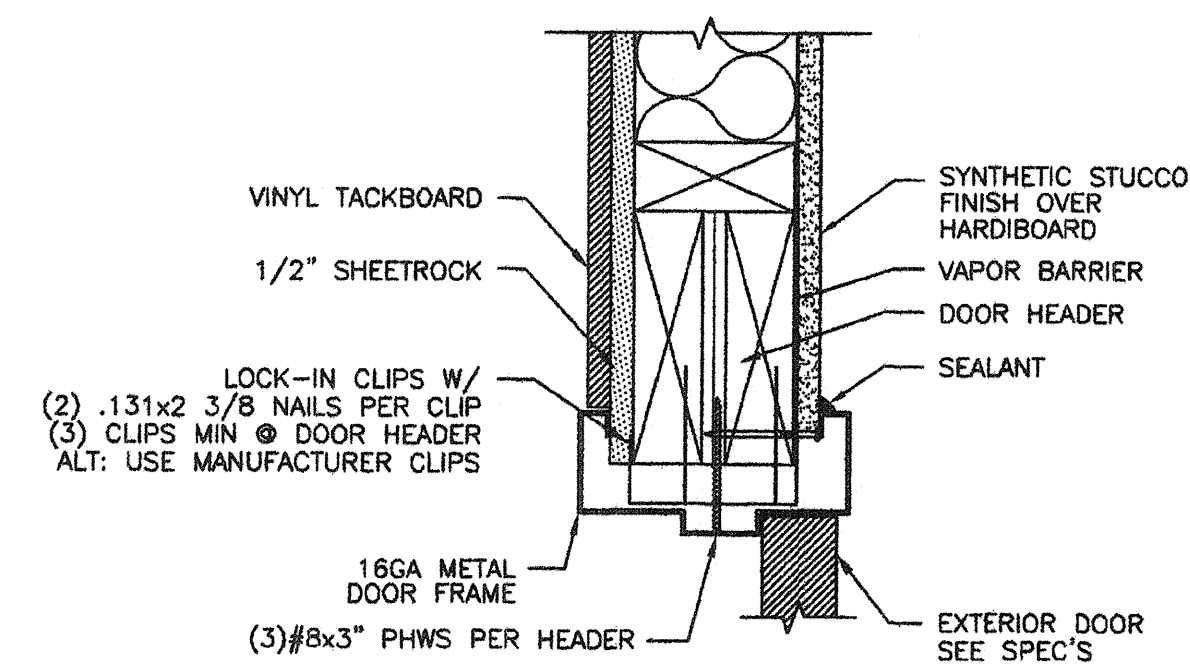
6 TYP INTERIOR DOOR HEADER DETAIL
ABA 3'-1'-0"



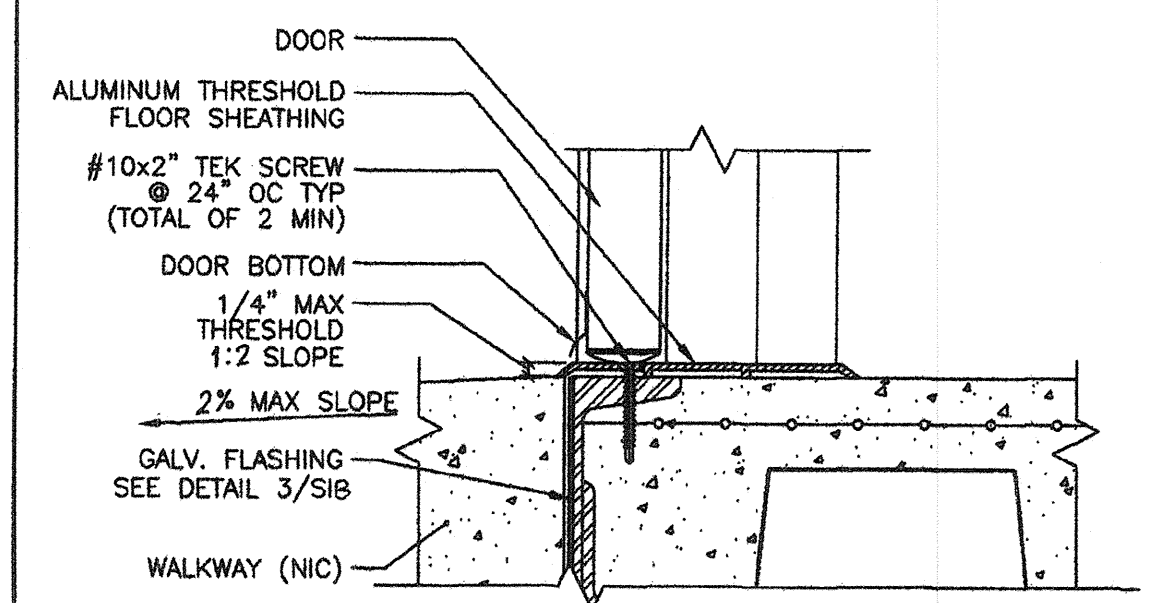
7 FLOORING DETAIL
ABA 3'-1'-0"



8 TYP GUTTER ATTACHMENT DETAIL
ABA 3'-1'-0"



9 TYP DOOR HEADER DETAIL
ABA 3'-1'-0"



10 THRESHOLD DETAIL
ABA 1 1/2'-1'-0"

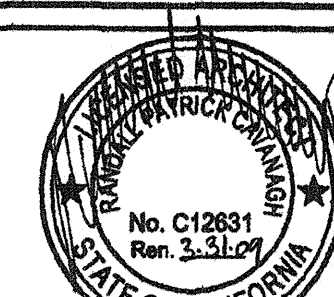
REVISIONS		
NO	DATE	DESCRIPTION

DATE: 2/24/09
SCALE: NOTED
DRAWN BY: DM
SERIAL NO.:

CUSTOMER:
12X40' RELOCATABLE BUILDING
ARCHITECTURAL DETAILS (SYNT. STUCCO OPTION)



APPROVALS:



IDENTIFICATION STAMP
DIV. OF THE STATE ARCHITECT
OFFICE OF REGULATION SERVICES
03-112985
AC FL SS
DATE

IDENTIFICATION STAMP
DIV. OF THE STATE ARCHITECT
OFFICE OF REGULATION SERVICES
PC 02-109808
AC FL SS
DATE

PROJECT No.
A5A

THESE DRAWINGS AND SPECIFICATIONS ARE THE PROPERTY OF AMERICAN MODULAR SYSTEMS, INC. AND ARE NOT TO BE REPRODUCED, CHANGED OR COPIED IN ANY FORM OR MANNER, NOR ARE THEY TO BE ASSIGNED TO ANY THIRD PARTY WITHOUT THE WRITTEN AUTHORIZATION OF AMERICAN MODULAR SYSTEMS, INC.