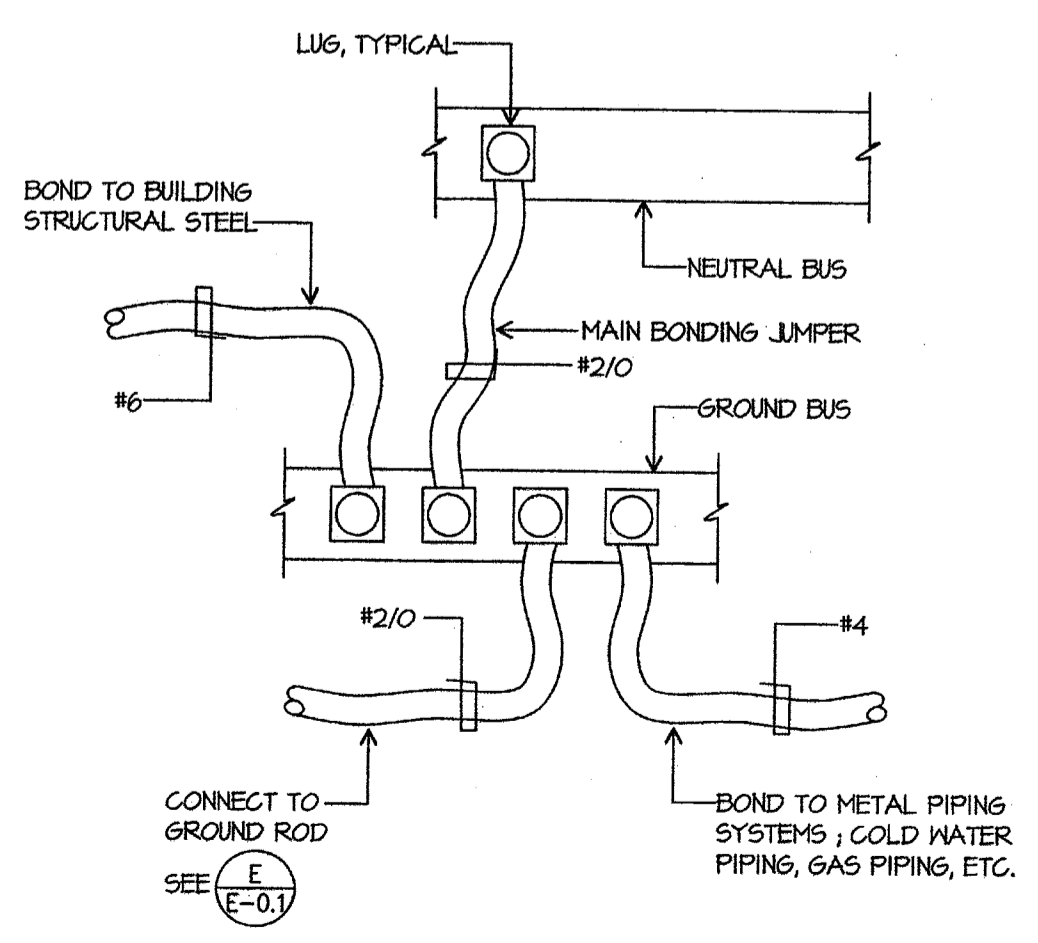


**GROUNDING DETAIL NOTES**

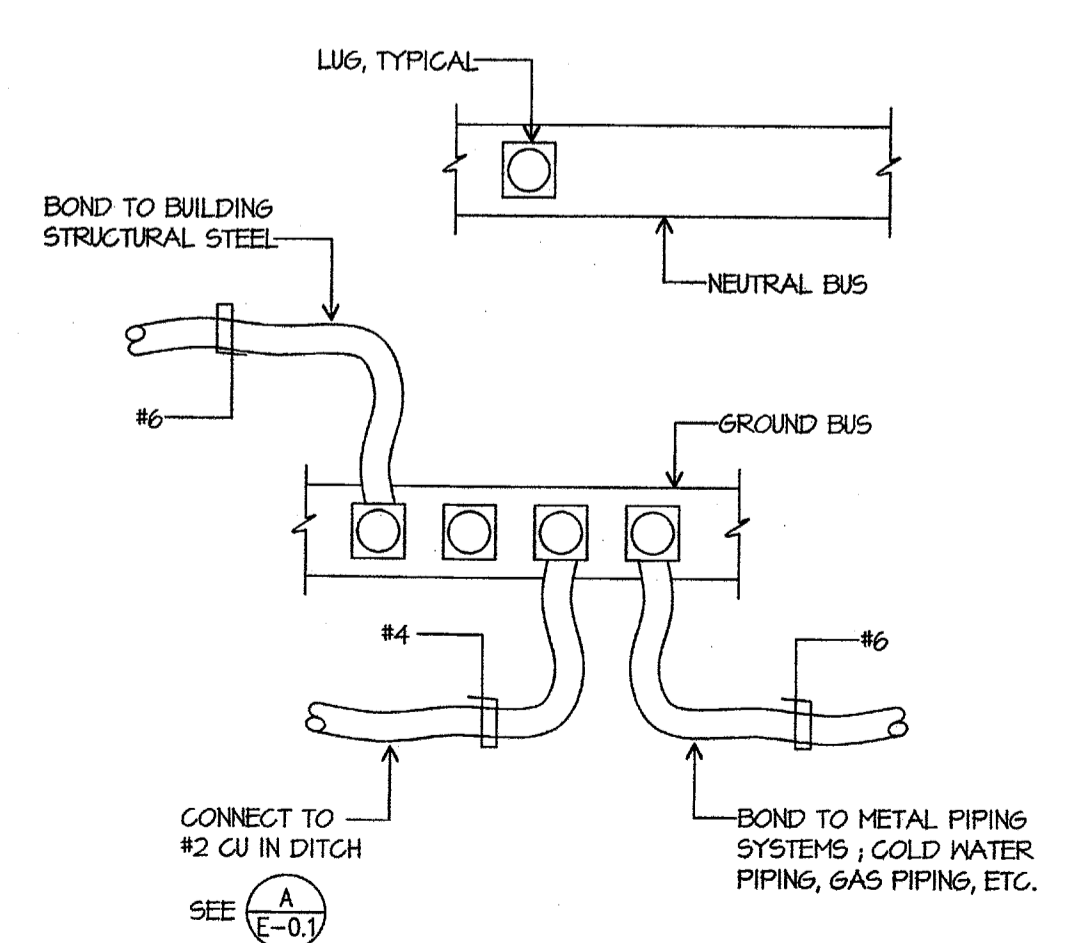
1 COORDINATE LOCATIONS OF WORK SHOWN WITH CIVIL DRAWINGS.

GROUNDING DETAIL

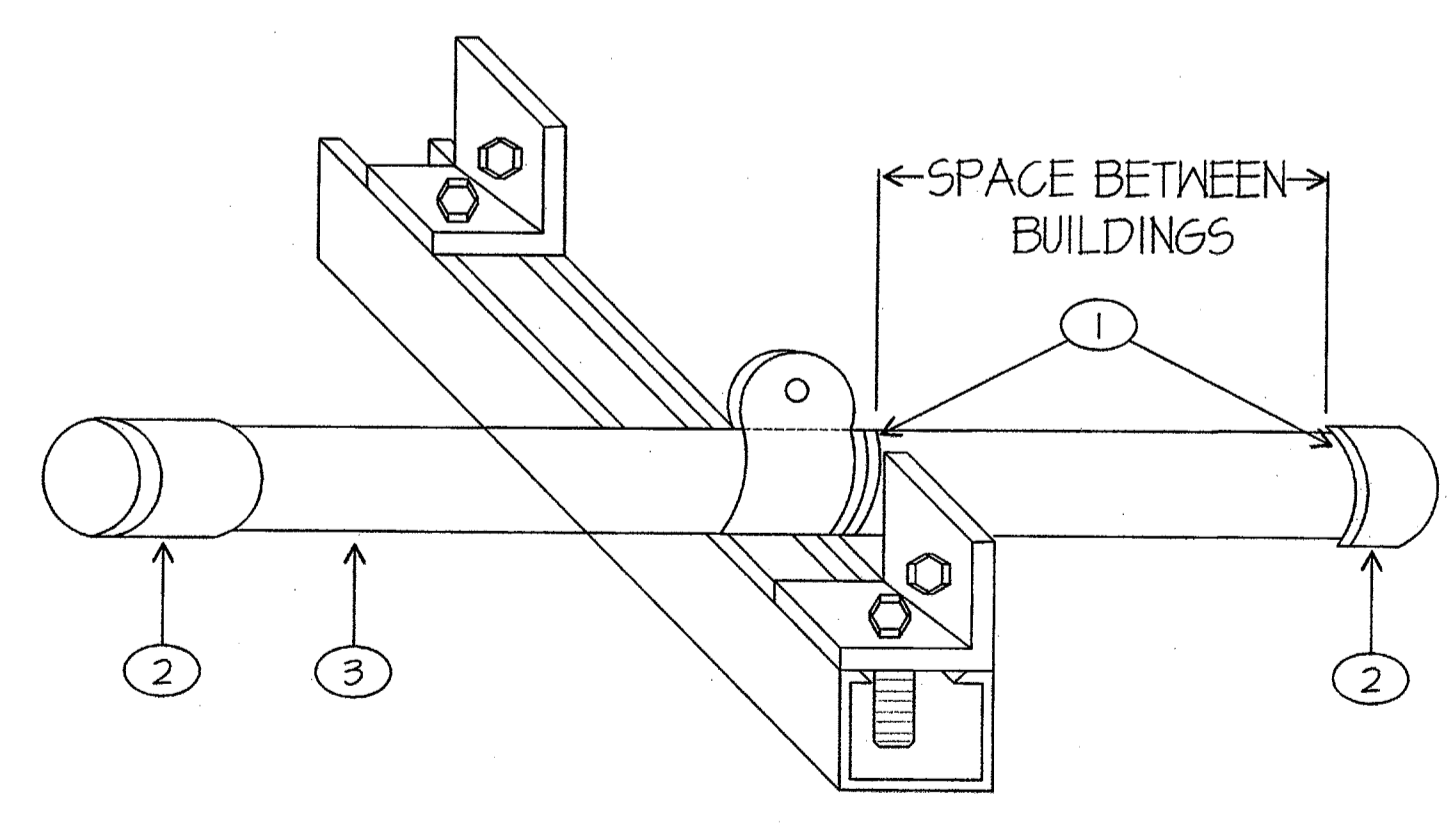
SCALE: 1/8"=1'-0"



BONDING DIAGRAM "MSB"  
SCALE: NONE

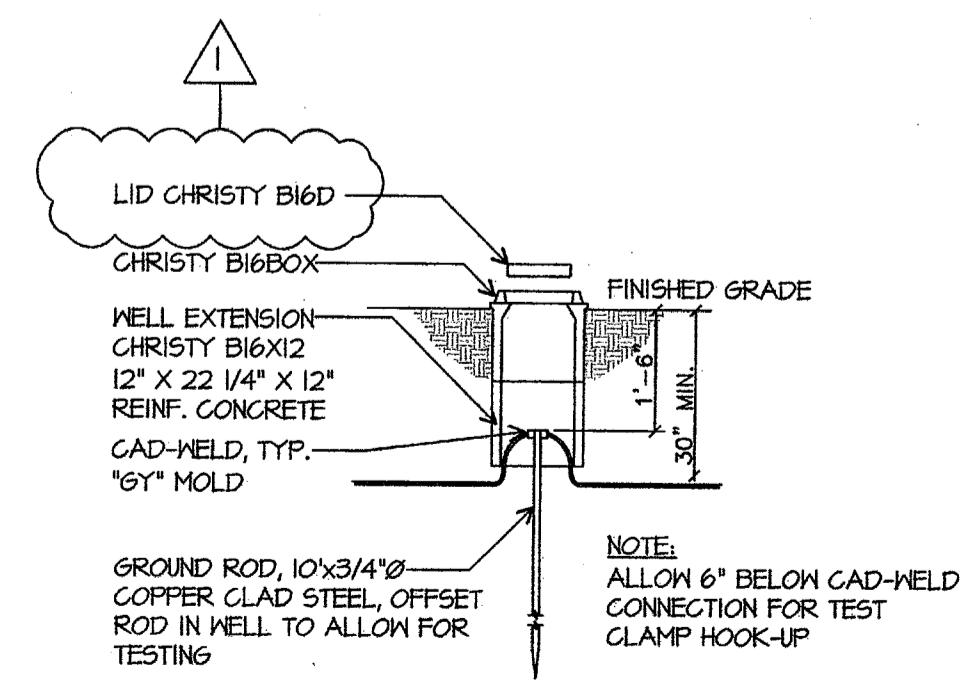


BONDING DIAGRAM PORTABLE PANEL  
SCALE: NONE



CONDUIT SLEEVE SUPPORT WALL MOUNTED UNISTRUT BRACKETS FOR ONE OR MORE CONDUITS  
SCALE: NONE

- 1 FOAM FILL AND FIRE CAULK THE WALLS AFTER CONDUITS ARE INSTALLED.
- 2 INSULATED THROAT SET SCREW CONNECTOR
- 3 USE OF EMT IS ACCEPTABLE FOR SLEEVE INSTALLATION.



GROUND ACCESS BOX

**JMPE**  
ELECTRICAL ENGINEERING  
LIGHTING DESIGN  
CA REGISTRATION NO. 813003

5000 MIDWAY AVENUE  
SUITE 202  
BAKERSFIELD, CA 93309  
(805) 835-7881  
FAX (805) 835-7853  
www.jmpe.com

Ownership of Documents  
This document, the ideas and designs incorporated herein, as an instrument of Professional Service is the property of Integrated Designs by SOMAM, Inc. and is not to be used, in whole or in part for any other project without written authorization.  
© COPYRIGHT 2009

<b>integrated designs</b> by SOMAM, Inc. ARCHITECTURE - ENGINEERING - INTERIOR DESIGN - CONSTRUCTION MANAGEMENT 6011 N. Fresno, Suite 130 - Fresno, California 93710 Phone (559) 438-0881 Fax (559) 438-0887 E-Mail: design@somam.com www.integrateddesigns.com		Rev. Date: Revision: Revision Description: ADDENDUM 1
--	--	--

Sheet Title:  
**SINGLE LINE DIAGRAM SYMBOLS  
DETAILS, GENERAL NOTES**

Project Name & Address:  
**MUNSEY ELEMENTARY SCHOOL  
10 NEW PORTABLE CLASSROOMS**  
BAKERSFIELD CITY SCHOOL DISTRICT  
3801 BRAVE AVE. BAKERSFIELD, CA 93309

Issue Date:	Date:	Designer:	DR:	FC:
	05/02/06			

DSA Identification Stamp:

Stamp(s):

Job No.: **3832**

Sheet No.: **E-0.1**

Release: **APPENDUM #1**

CURTIS MCNALLY