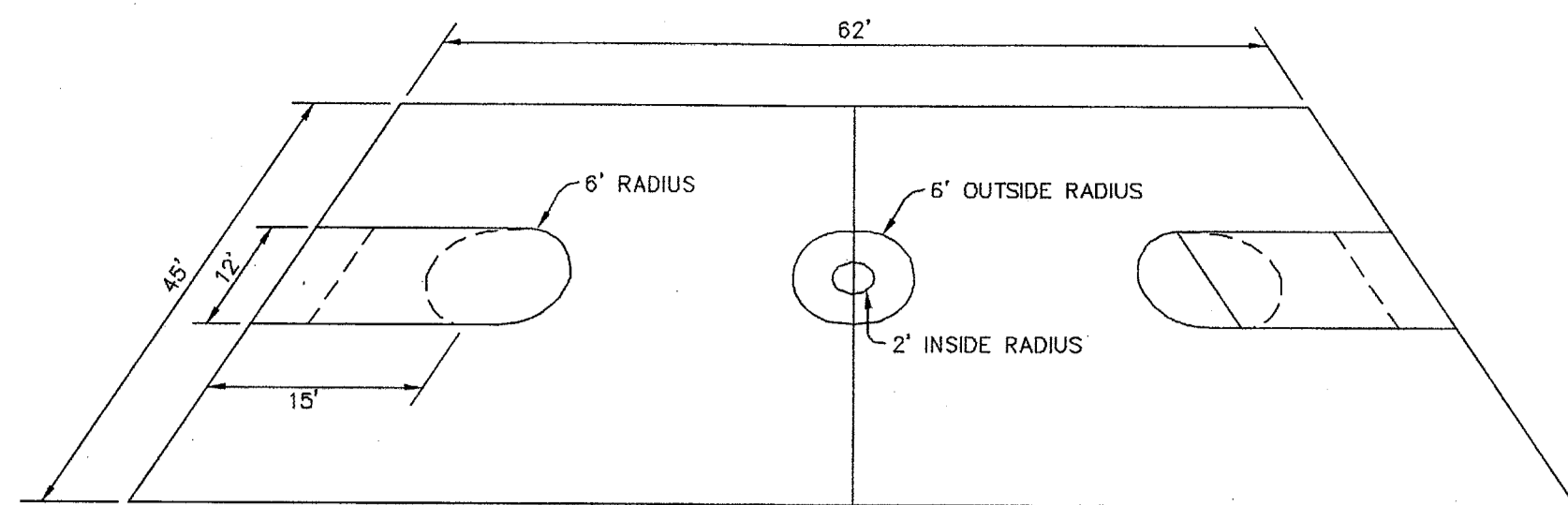
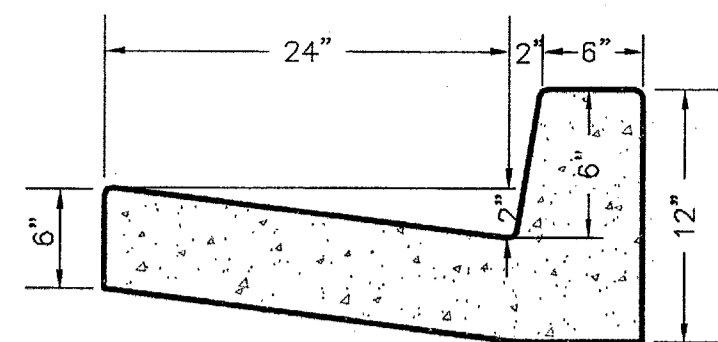


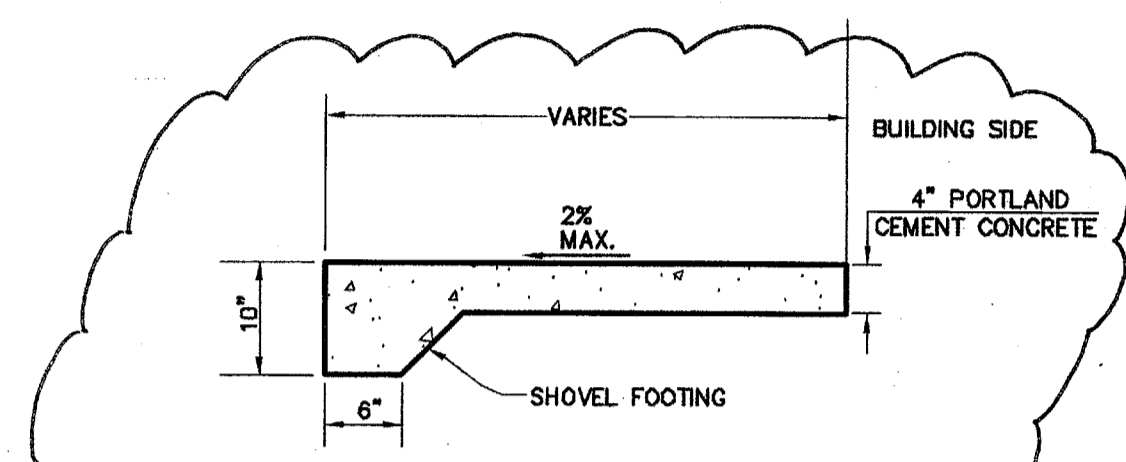
**A**  
**3** TYPICAL PAVING SECTION  
N.T.S.



NOTE: SEE ARCHITECT'S PLANS FOR ADDITIONAL INFORMATION.  
**E**  
**3** BASKETBALL COURT STRIPING  
N.T.S.

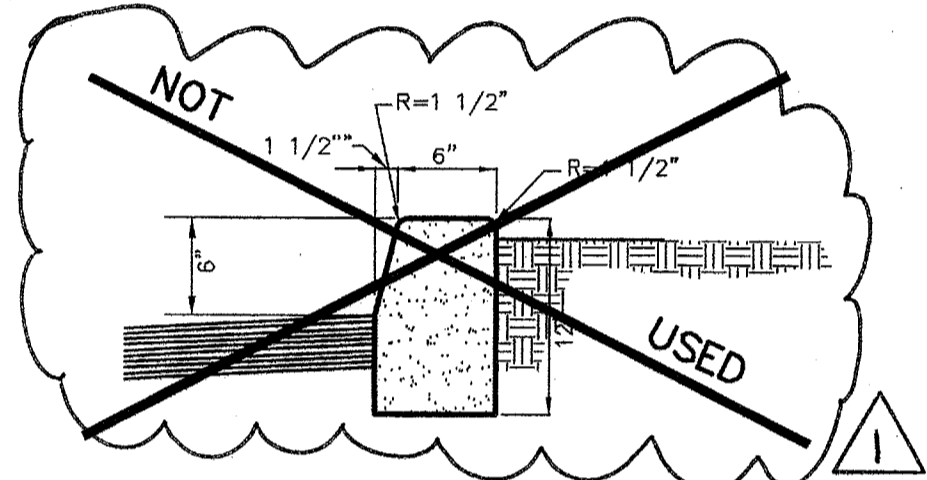


**G**  
**3** TYPE "B" CURB - C.O.B. STD. S-1  
N.T.S.

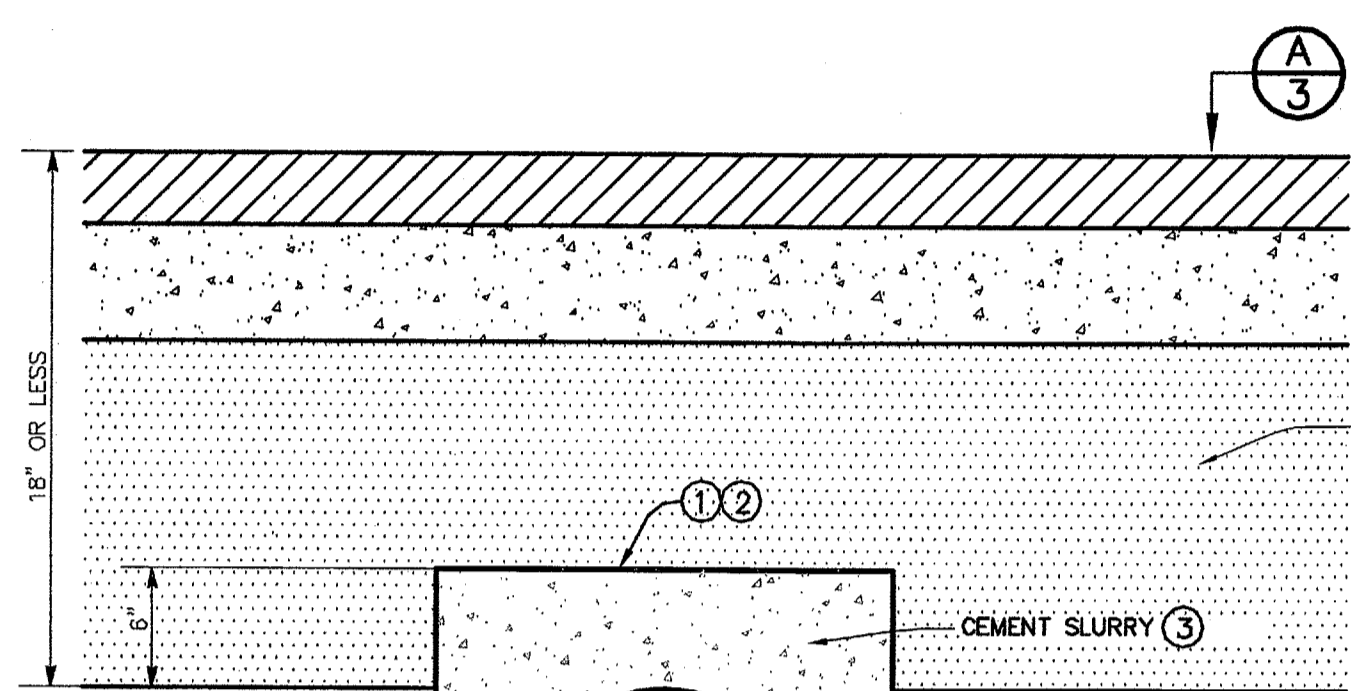


NOTE: OBTAIN 95% RELATIVE COMPACTION FOR A DEPTH OF 12" BENEATH ALL CONCRETE, PER ASTM D-1557

**B**  
**3** SIDEWALK SECTION  
N.T.S.



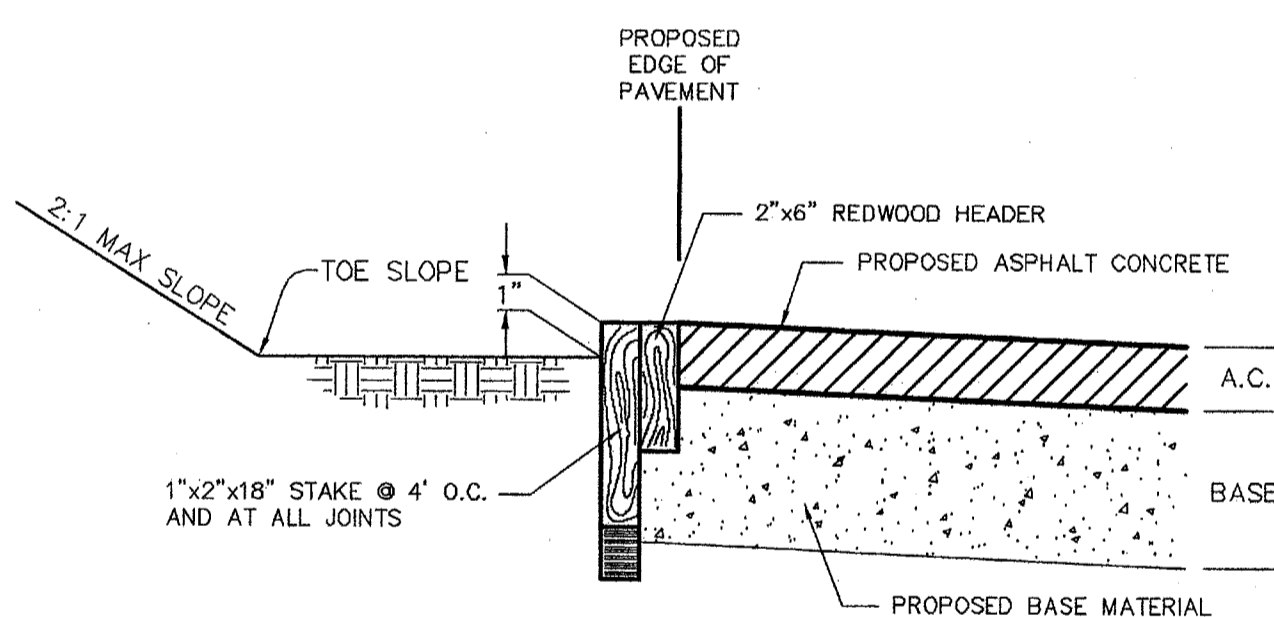
**C**  
**3** 6" CONCRETE CURB  
N.T.S.



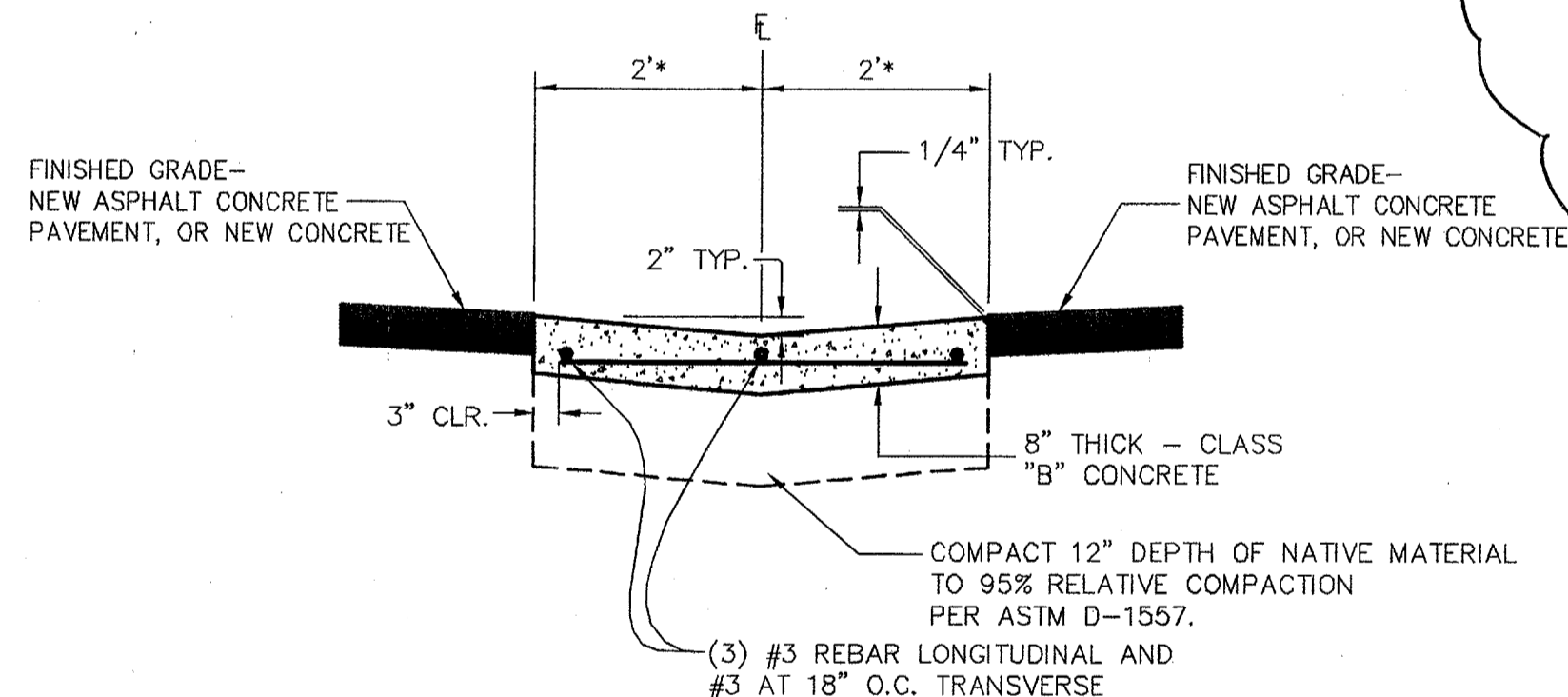
NOTES:

- 1 SLURRY BACKFILL TO BE USED IN PAVED AREAS WHERE COVER IS 18" OR LESS.
- 2 SLURRY TO ENCROUGH INTO SUB-GRADE TO ACHIEVE 6" OF SLURRY COVER OVER PIPE.
- 3 SLURRY SHALL BE 1-SACK CONCRETE MIX.

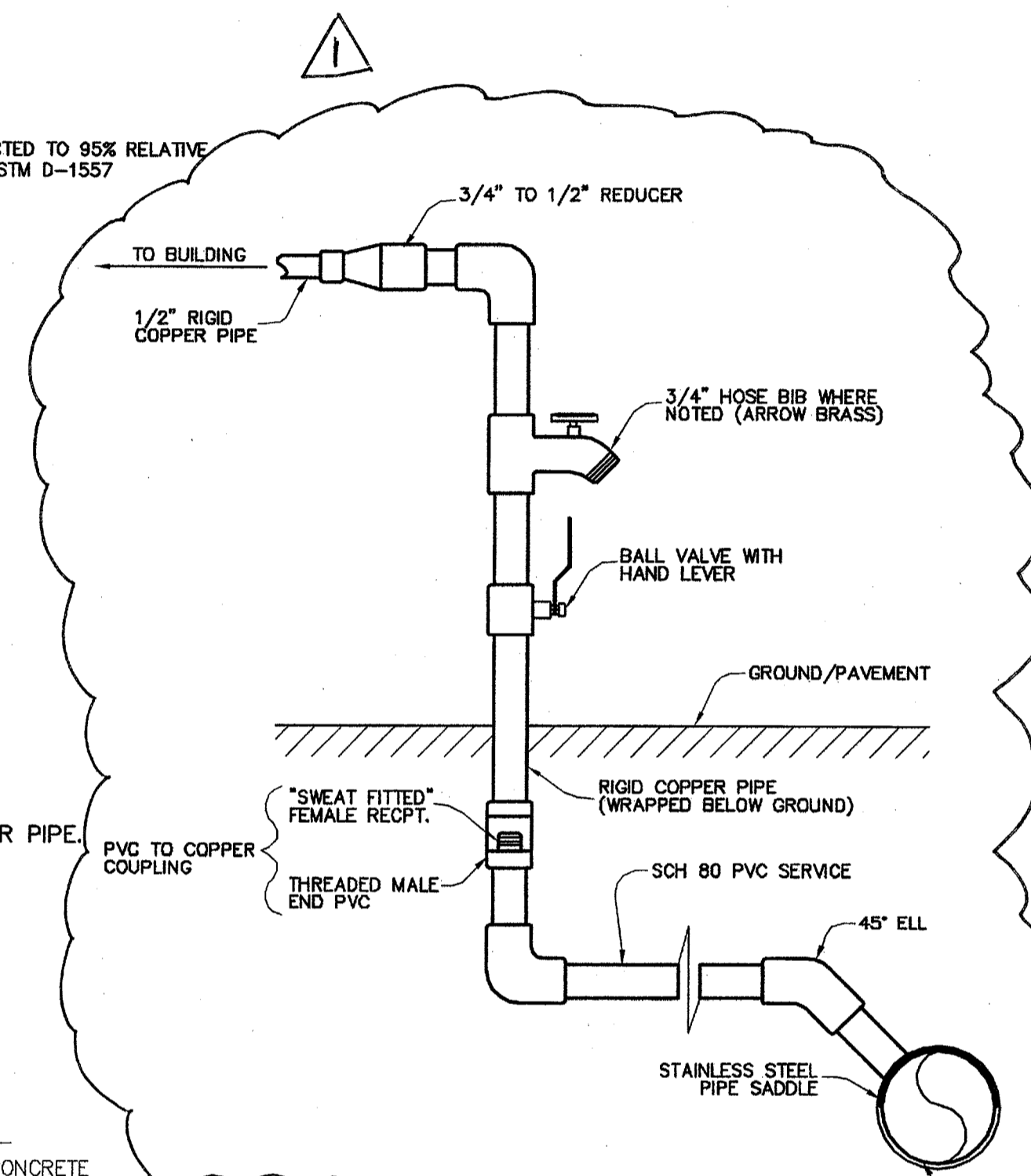
**F**  
**3** TRENCH SLURRY BACKFILL (WHEN LESS THAN 18" OF COVER)  
N.T.S.



**D**  
**3** REDWOOD PAVING BOARD  
N.T.S.



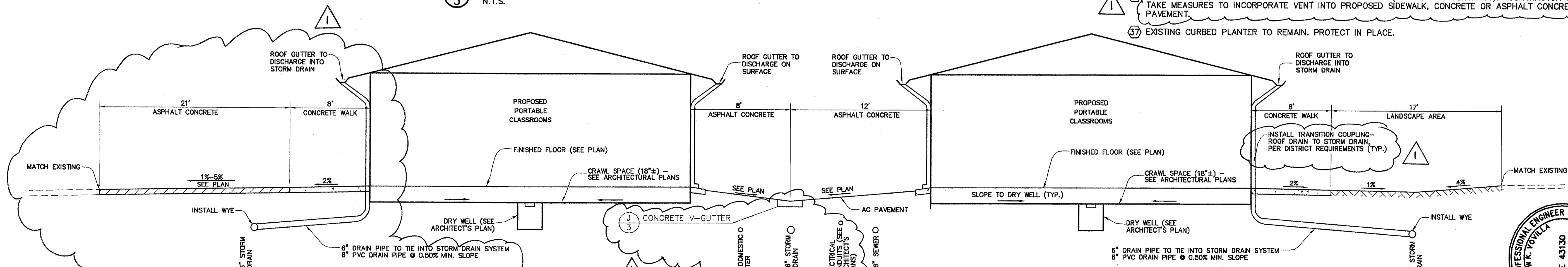
**J**  
**3** CONCRETE "V" GUTTER  
N.T.S.



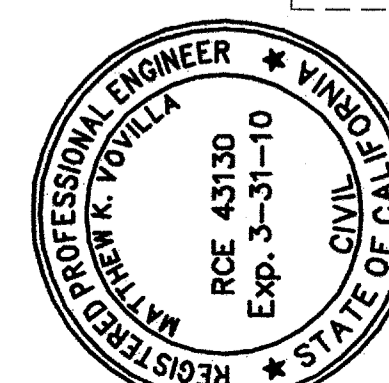
**H**  
**3** 3/4" WATER SERVICE  
N.T.S.

**CONSTRUCTION NOTES-GRADING & SITE IMPROVEMENTS**

- 1 PRIOR TO FINISH GRADING, THE BUILDING PAD SHALL BE OVEREXCAVATED AND RECOMPACTED IN ACCORDANCE WITH THE SOILS REPORT. OVEREXCAVATION AND RECOMPACTION SHALL EXTEND A MINIMUM OF 5 FEET BEYOND THE BUILDING PERIMETER.
- 2 CONTRACTOR SHALL RESEARCH ALL EXISTING UTILITIES, AND SHALL "POTHOLE" TO VERIFY LOCATION AND DEPTH. EXCEPT AS OTHERWISE NOTED ON THESE PLANS, ALL EXISTING UTILITIES SHALL BE PROTECTED IN-PLACE.
- 3 PLACE AND COMPACT ASPHALT CONCRETE PAVEMENT OVER AGGREGATE BASE OVER COMPACTED SUBGRADE IN ACCORDANCE WITH DETAIL (A/3).
- 4 CONSTRUCT REDWOOD HEADER BOARD PER DETAIL (D/3).
- 5 CONSTRUCT 4" THICK PORTLAND CEMENT CONCRETE WALKWAY PER DETAILS (B/3).
- 6 INSTALL 6-INCH DIAMETER PVC STORM DRAIN PIPE AS SHOWN. IF COVER IS LESS THAN 18-INCHES, TRENCH SHALL BE BACKFILLED WITH 1-SACK CEMENT SLURRY PER DETAIL (F/3).
- 7 INSTALL 8-INCH DIAMETER PVC STORM DRAIN PIPE AS SHOWN. IF COVER IS LESS THAN 18-INCHES, TRENCH SHALL BE BACKFILLED WITH 1-SACK CEMENT SLURRY PER DETAIL (F/3).
- 8 INSTALL 24-INCH SQUARE CONCRETE CATCH BASIN - CHRISTY U23 WITH H-20 AND ADA COMPLIANT, AND HEEL PROOF GRATE - OR APPROVED EQUAL. SEE SHEET 4 FOR DETAIL.
- 9 SAWCUT EXISTING SURFACE AND JOIN. MATCH EXISTING GRADE. REMOVE AND DISPOSE OF EXISTING MATERIAL AS NECESSARY.
- 10 CONSTRUCT CONCRETE "V" GUTTER PER DETAIL (J/3) HEREIN.
- 11 CONSTRUCT CONCRETE CURB AND GUTTER PER DETAIL (G/3).
- 12 EXCAVATE STORM WATER DETENTION AREA AS SHOWN ON PLAN.
- 13 ALTERNATE TO STORM WATER DETENTION AREA, INSTALL STORM TECH SYSTEM - SEE DETAIL (I/3).
- 14 INSTALL ROCK WELL IN STORM WATER DETENTION AREA AS SHOWN ON PLAN, AND PER DETAIL (A/7).
- 15 INSTALL ROCK WELL IN CRAWL SPACE OF EACH PORTABLE. SEE ARCHITECT'S PLANS FOR DETAILS.
- 16 ADJUST ALL UTILITY BOXES, CLEAN-OUTS, AND VALVE COVERS TO FINISHED GRADE.
- 17 INSTALL 6" CONCRETE CURB PER DETAIL (C/3).
- 18 JOIN EXISTING WATER LINE. EXISTING IMPROVEMENTS SHALL BE SAWCUT, REMOVED AND REPLACED IN KIND, AS NECESSARY TO MAKE CONNECTION AND EXTEND WATER LINE.
- 19 ADJUST ALL UTILITY AND VALVE BOXES TO FINISHED GRADE AFTER INSTALLATION OF AC PAVEMENT. CONCRETE COLLARS SHALL BE POURED AROUND ALL VALVE BOXES AND CLEAN-OUTS. SAWCUT NEW AC PAVEMENT PRIOR TO POURING COLLARS.
- 20 REMOVE EXISTING CLEANOUT AND CONNECT TO EXISTING SEWER. ONCE EXISTING SEWER IS EXPOSED, CONTACT ENGINEER TO "SHOOT" ELEVATION OF EXISTING LINE, AND MAKE ADJUSTMENT OF SEWER DESIGN GRADES.
- 21 INSTALL 6-INCH PVC SDR 35 SEWER LINE. SEWER SHALL BE INSTALLED AT A SLOPE NOT LESS THAN 0.5 PERCENT. SEE ALSO NOTE (27).
- 22 INSTALL SEWER CLEAN-OUT PER CITY OF BAKERSFIELD STANDARD SW-5. INCLUDE CONCRETE COLLAR. SAW-CUT AC PRIOR TO POURING COLLAR.
- 23 INSTALL 4-INCH DOMESTIC WATER LINE - PVC C900.
- 24 INSTALL WATER LINE GATE VALVE AND VALVE BOX PER CITY OF BAKERSFIELD WATER STANDARD W-12. INSTALL CONCRETE COLLAR PER STANDARD.
- 25 INSTALL THRUST BLOCKS AT ALL ANGLE POINTS PER CITY OF BAKERSFIELD STANDARD W-2. SEE ALSO SHEET 4 FOR DETAIL.
- 26 INSTALL BLOW-OFF WITH VALVE BOX PER CITY OF BAKERSFIELD STANDARD W-4. SEE ALSO SHEET 4 FOR DETAIL.
- 27 INSTALL 2-INCH SEWER LATERAL WITH WYE AND CLEAN-OUT. MAKE CONNECTION TO EACH PORTABLE UNIT PER MANUFACTURER'S RECOMMENDATION.
- 28 INSTALL 3/4-INCH DOMESTIC SERVICE PER DETAIL (H/3). MAKE CONNECTION TO PORTABLE UNIT PER MANUFACTURER'S RECOMMENDATION. EXCLUDE 3/4" HOSE BIB, EXCEPT WHERE SHOWN ON PLAN.
- 29 ANY UNDERGROUND UTILITIES WITH LESS THAN 18-INCHES OF COVER SHALL BE BACKFILLED WITH CONCRETE SLURRY PER DETAIL (F/3).
- 30 INSTALL DISTRICT SUPPLIED BASKETBALL GOAL POSTS. GOAL POSTS SHALL BE INSTALLED PRIOR TO A.C. PAVING.
- 31 PAINT REGULATION BASKETBALL COURT AS SHOWN ON PLANS AND PER DETAIL (E/3). SEE ALSO ARCHITECT'S PLANS.
- 32 INSTALL CATCH BASIN - 12" SQUARE, LIGHT DUTY WITH 12" GRATE, NDS 1200 SERIES OR APPROVED EQUAL. ADD SPACERS AS NECESSARY TO ACHIEVE INDICATED INVERT ELEVATIONS.
- 33 WATER SERVICE SHALL INCLUDE HOSE BIB WHERE NOTED ON PLAN. SEE DETAIL (H/3) HEREON.
- 34 CONNECT ROOF DRAIN TO 6-INCH STORM DRAIN LINE AS SHOWN. USE SEWER-TYPE WYE FOR CONNECTION. SEE ARCHITECT'S PLANS FOR EXACT LOCATION OF ROOF DRAINS.
- 35 INSTALL SEWER TYPE CLEANOUT WHERE INDICATED FOR STORM DRAIN.
- 36 VENT STRUCTURE TO BE CONSTRUCTED WITH FOUNDATION (NOT IN THIS CONTRACT). CONTRACTOR SHALL TAKE MEASURES TO INCORPORATE VENT INTO PROPOSED SIDEWALK, CONCRETE OR ASPHALT CONCRETE PAVEMENT.
- 37 EXISTING CURBED PLANTER TO REMAIN. PROTECT IN PLACE.



**I**  
**3** FINISH GRADING / SURFACE SECTION  
N.T.S.



**PINNACLE Civil Engineering, Inc.**  
2161 Saturn Court, Bakersfield, CA 93308  
Phone: (661) 869-0184 Fax: (661) 377-0076

MATTHEW K. VOVILLA	RCE 43130	EXP. 3/31/10
REVISIONS	DATE	
1	APPENDIX #1	10/15/2009

**DETAILS & TYPICAL SECTIONS**  
**MUNSEY ELEMENTARY**  
**3801 BRAVE AVENUE**  
**BAKERSFIELD, CALIFORNIA**

JOB NO.:	09-388
DWG NO.:	09-388-BM
DATE:	09/23/2009
DRAWN BY:	ADK
CHECKED BY:	MKV
SHEET	3
OF 8 SHEETS	