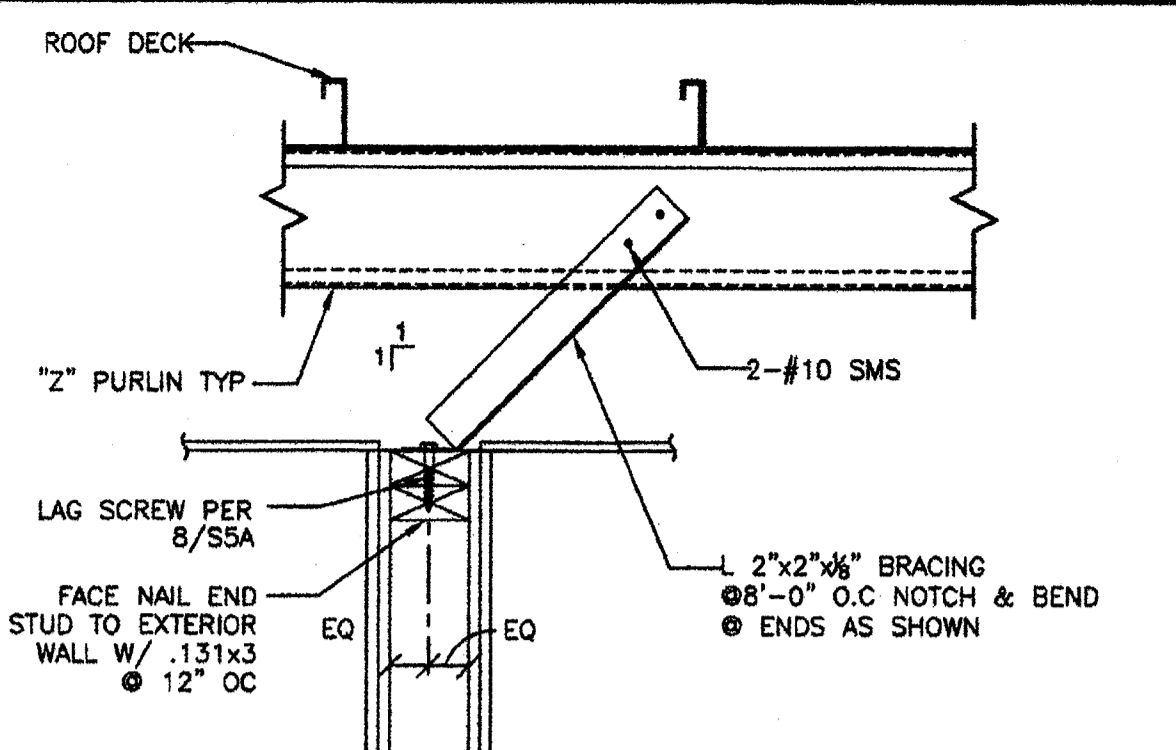
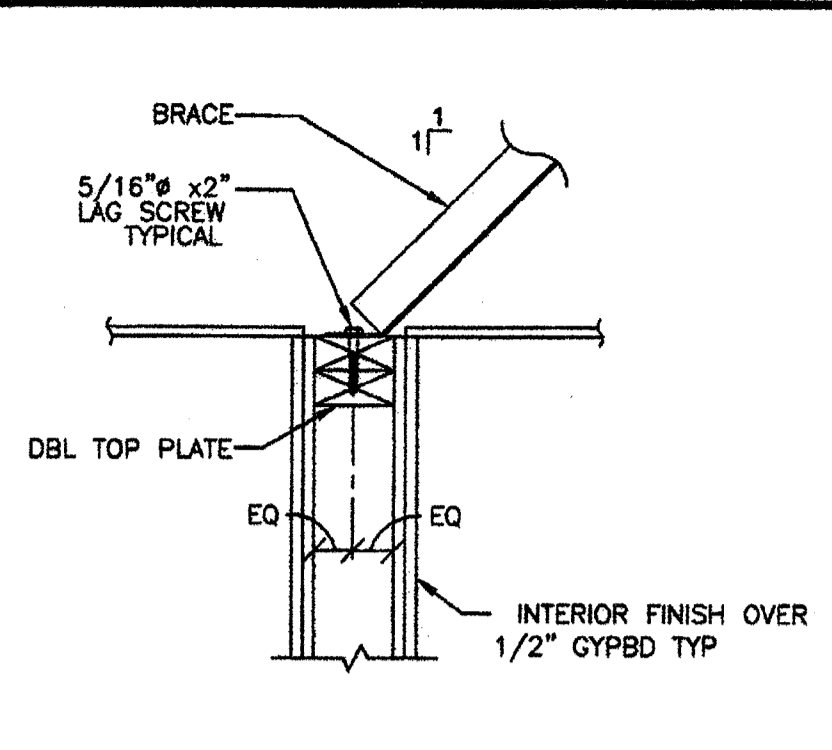


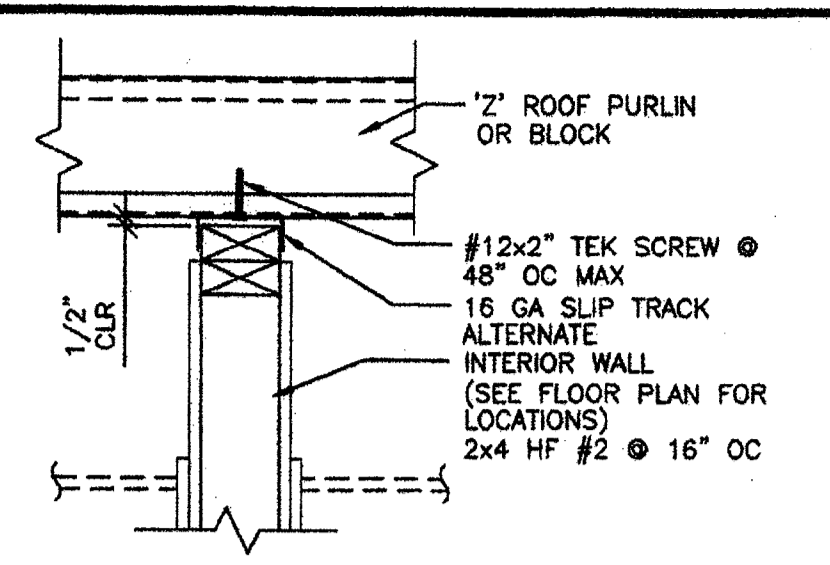
1 WALL TO COLUMN TYP DETAIL @ MODLINES
SSA 1 1/2"=1'-0"



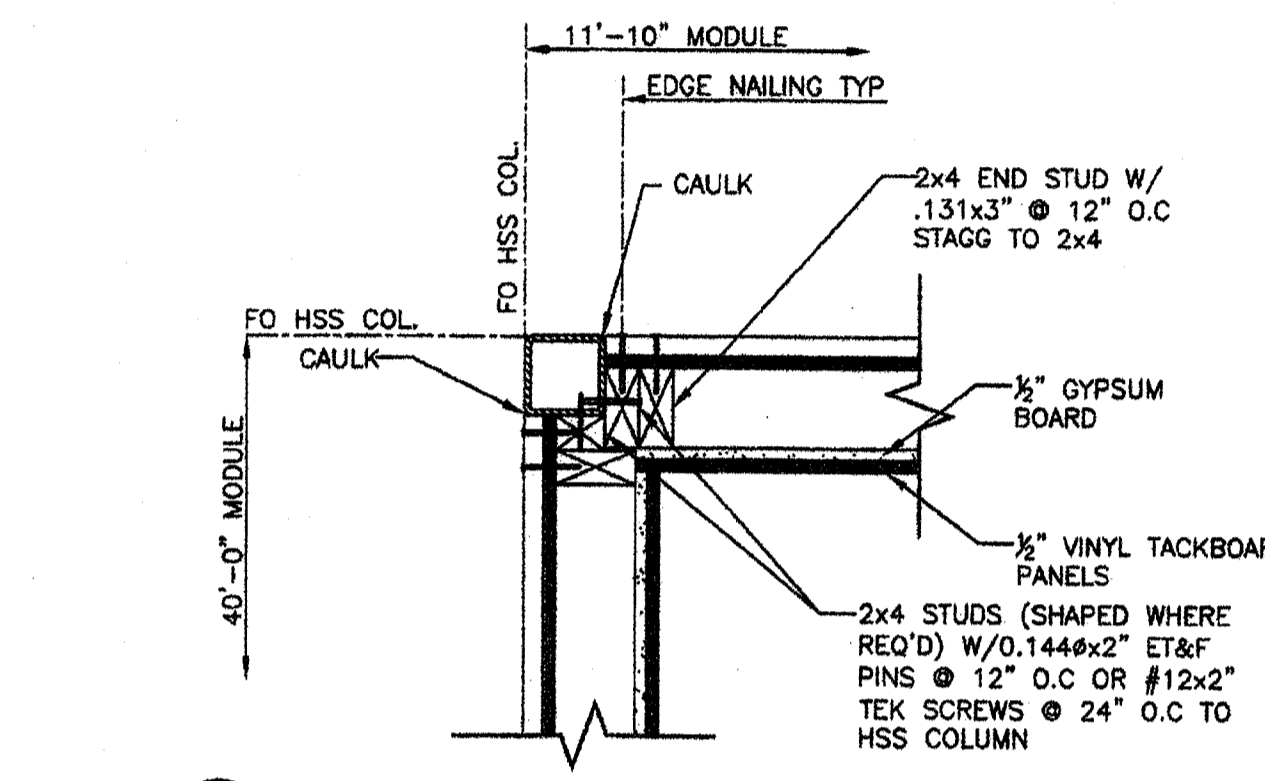
5 TYP. INTERIOR WALL BRACING (BRACE PARALLEL TO PURLINS)
SSA 1 1/2"=1'-0"



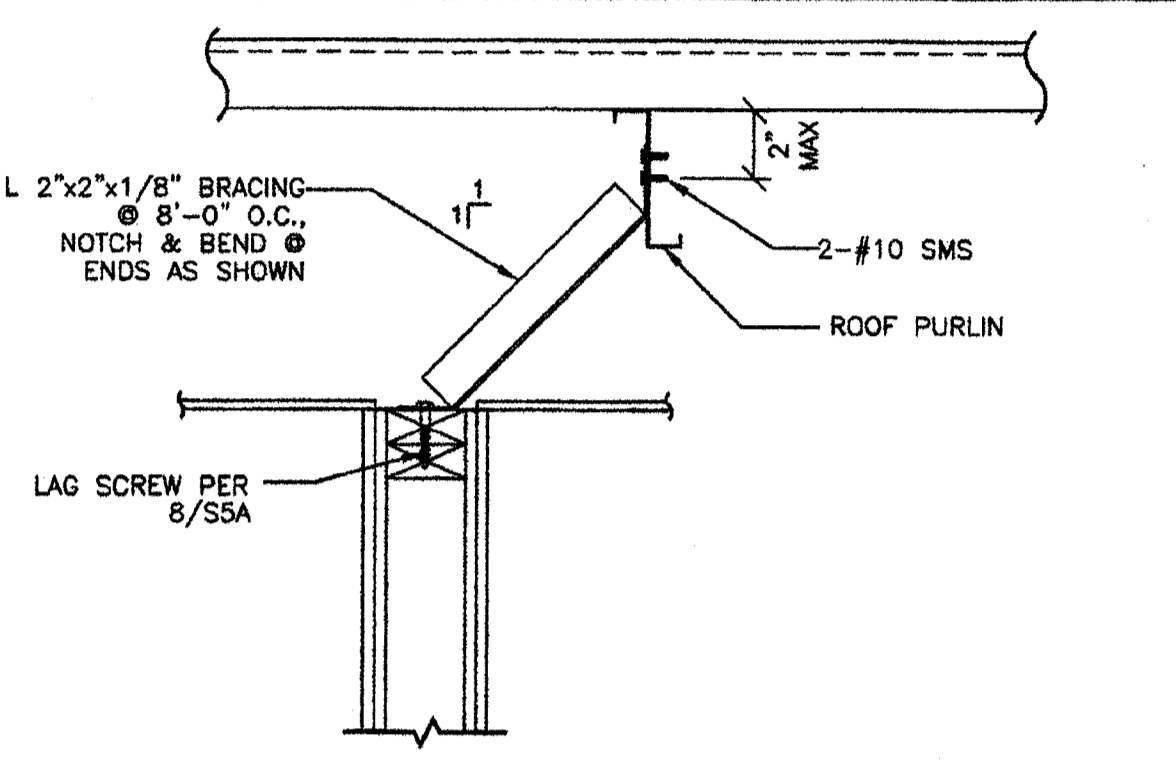
8 TYP. INTERIOR WALL BRACING (INTERIOR PARTITION BRACING)
SSA 1 1/2"=1'-0"



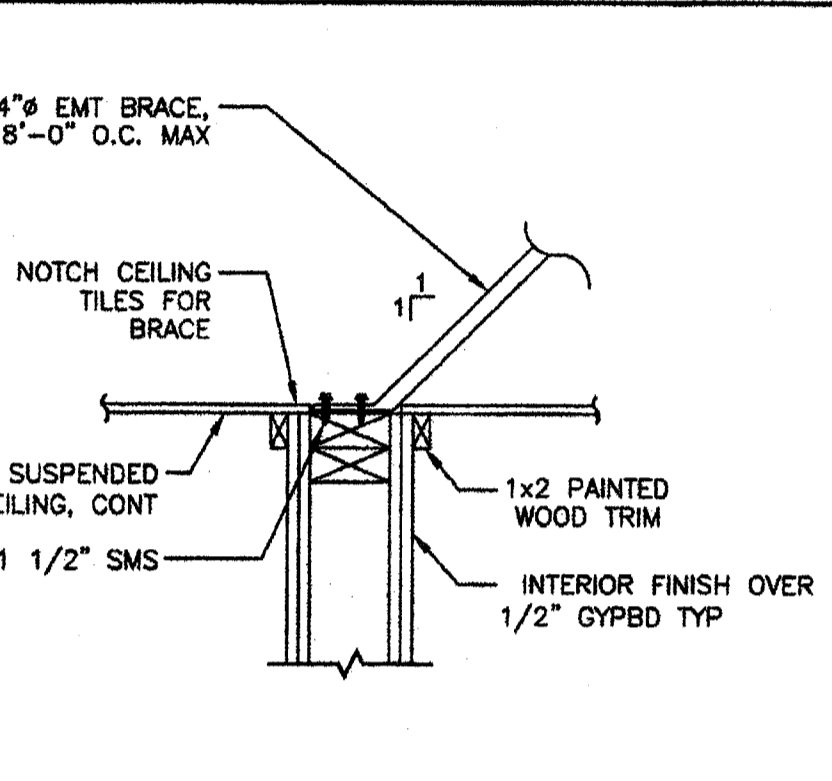
11 ALT. INTERIOR WALL ATTACHMENT
SSA 1 1/2"=1'-0"



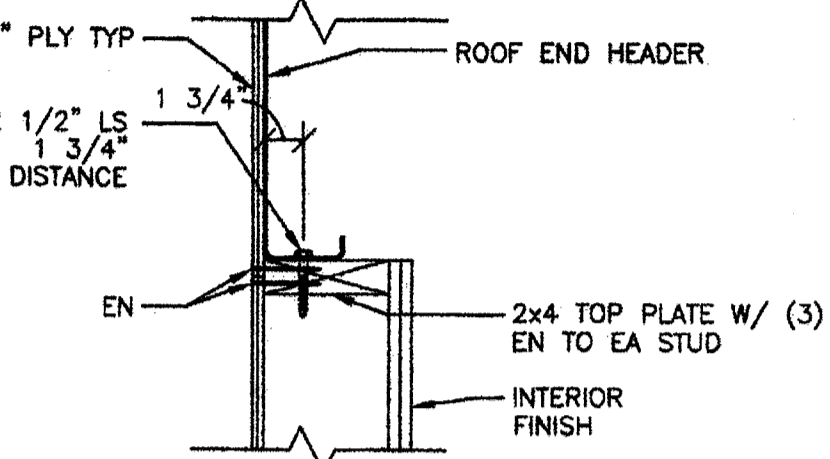
2 WALL TO COLUMN TYP DETAIL @ CORNER
SSA 1 1/2"=1'-0"



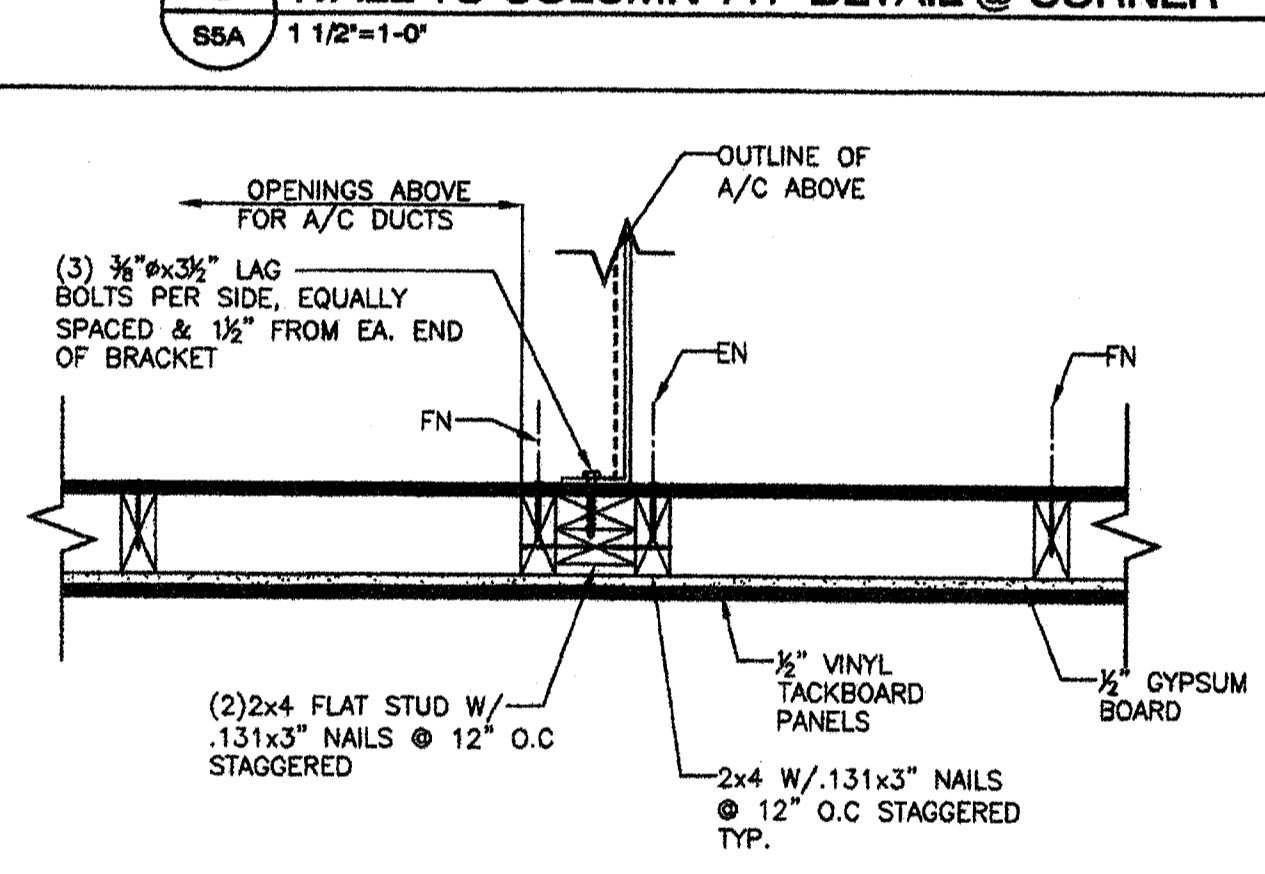
6 TYP. INTERIOR WALL BRACING (BRACE PERPENDICULAR TO PURLINS)
SSA 1 1/2"=1'-0"



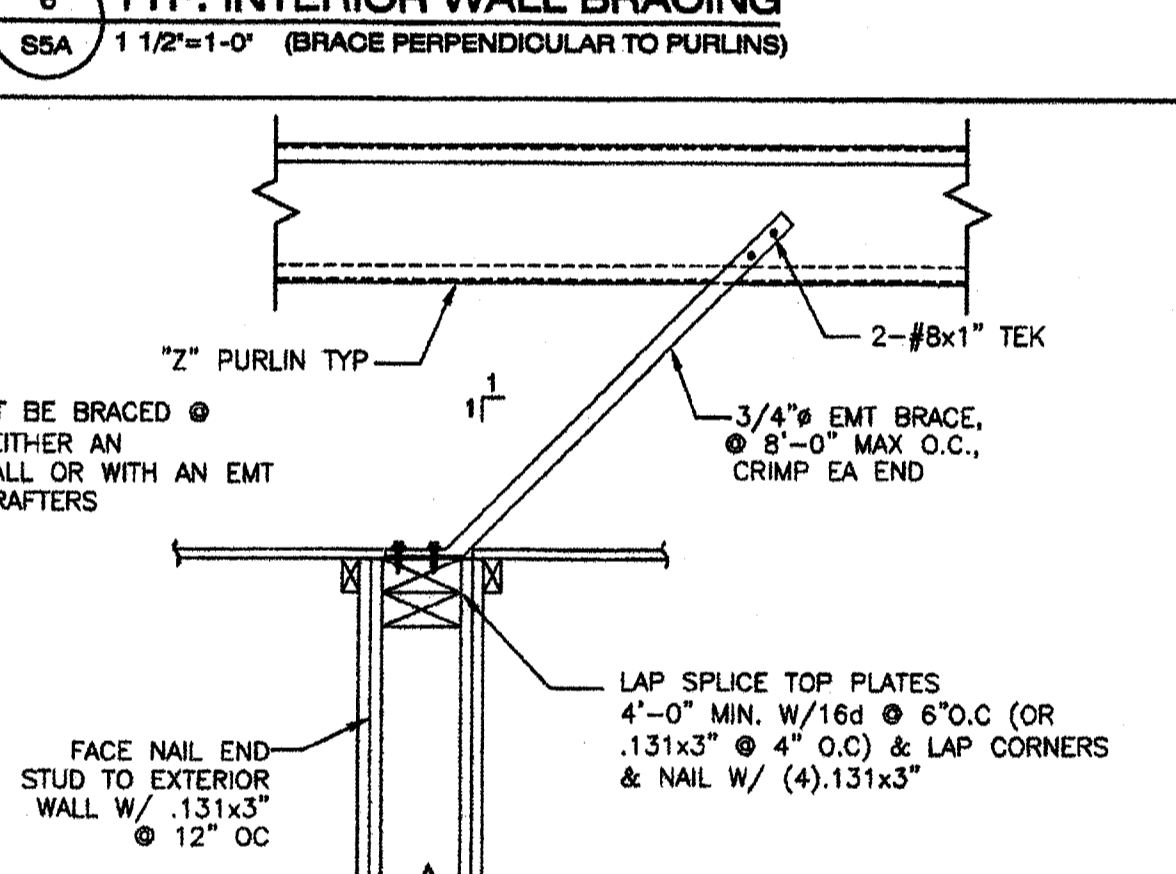
9 ALT. INTERIOR WALL BRACING (INTERIOR PARTITION BRACING w/EMT BRACING)
SSA 1 1/2"=1'-0"



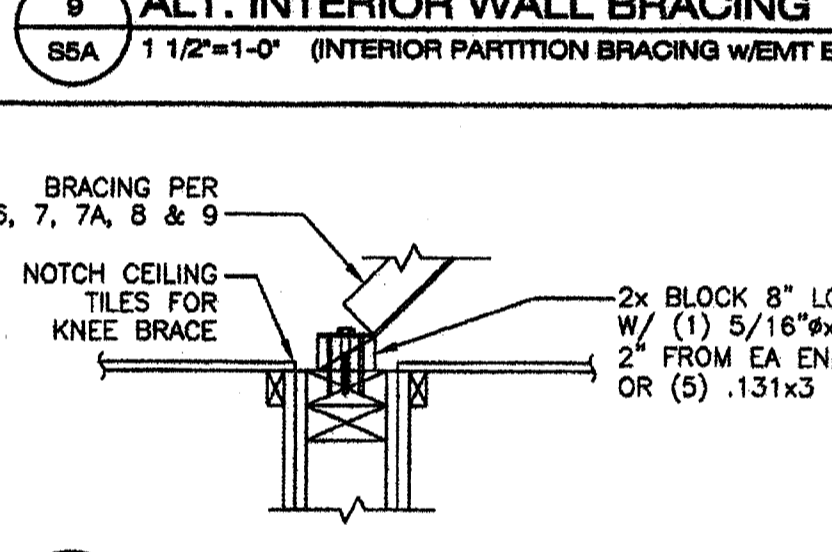
12 END WALL TO ROOF BEAM DETAIL
SSA 1 1/2"=1'-0"



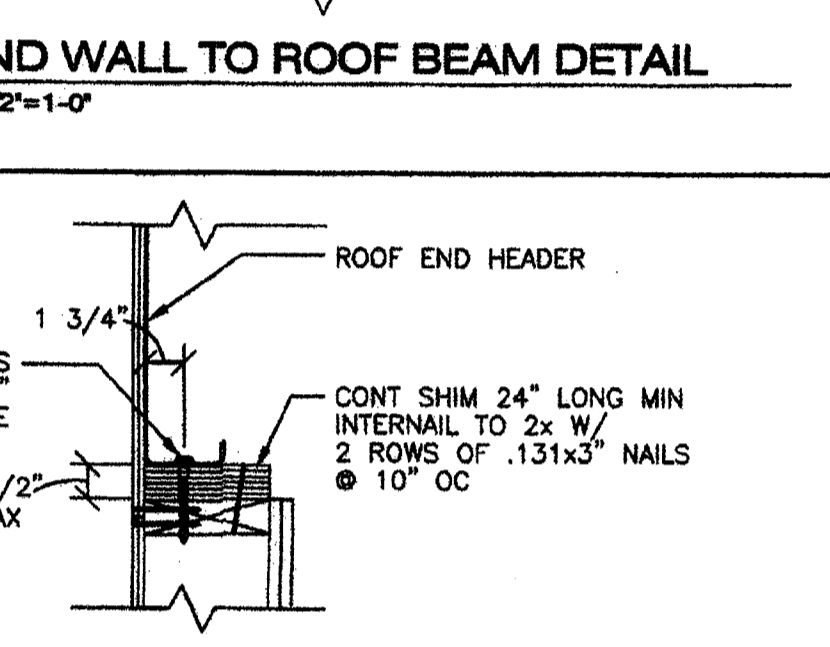
3 WALL HUNG HVAC DETAIL ATTACHMENT
SSA 1 1/2"=1'-0"



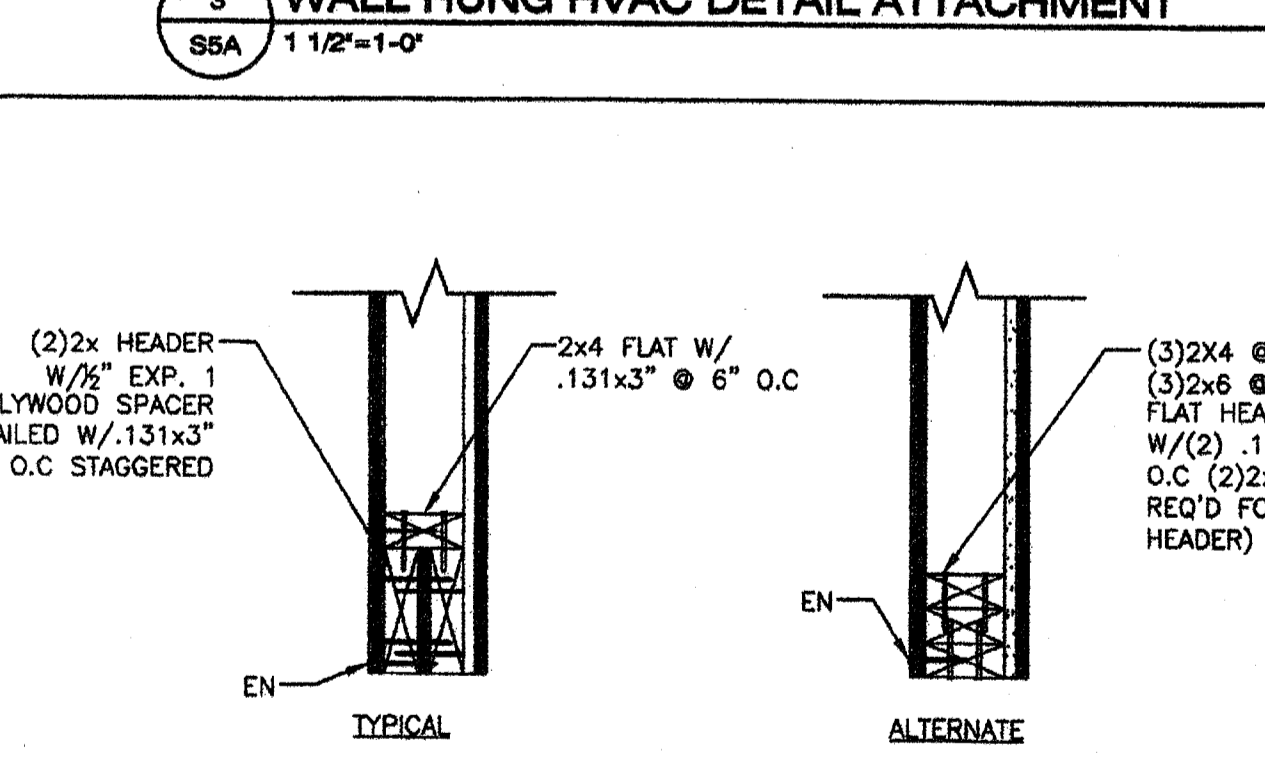
7 ALT. INTERIOR WALL BRACING w/EMT BRACE (BRACE PARALLEL TO PURLINS)
SSA 1 1/2"=1'-0"



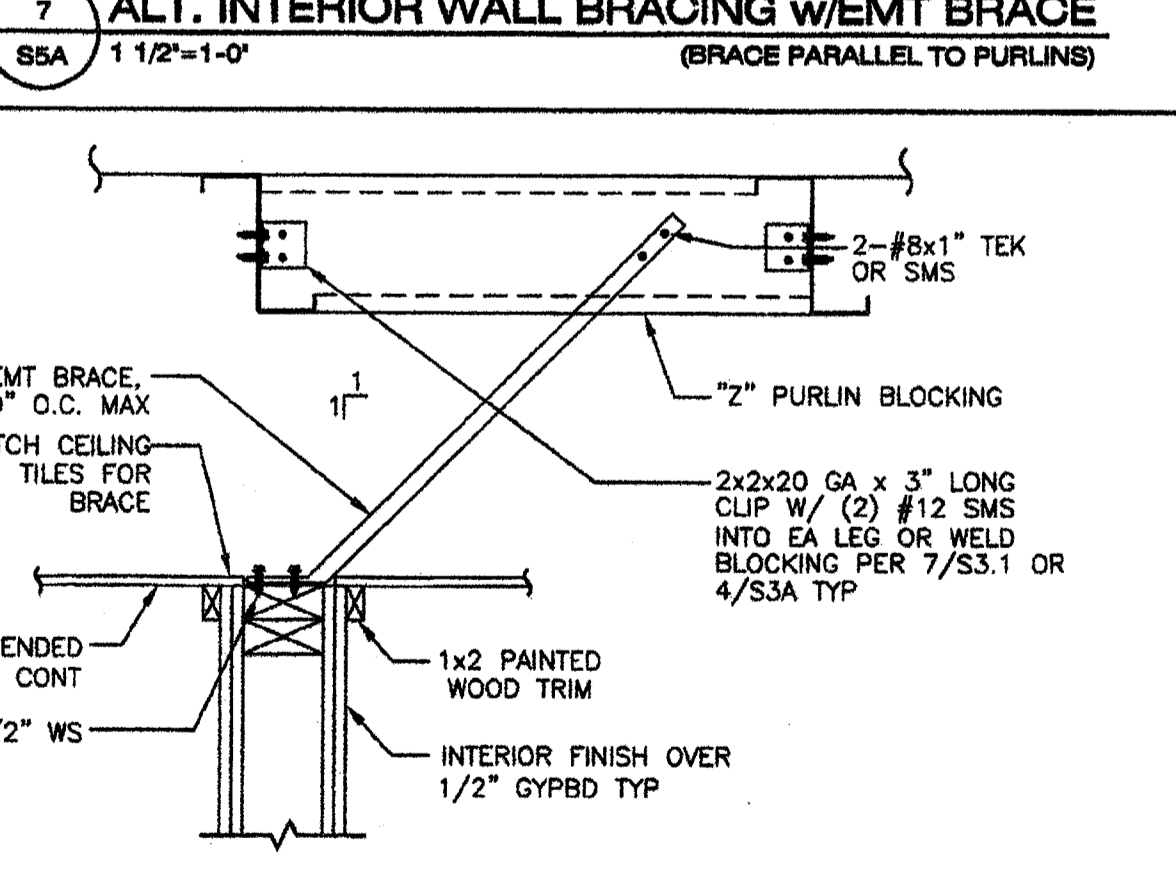
10 ALT BLOCKING @ INT WALL BRACING
SSA 1 1/2"=1'-0"



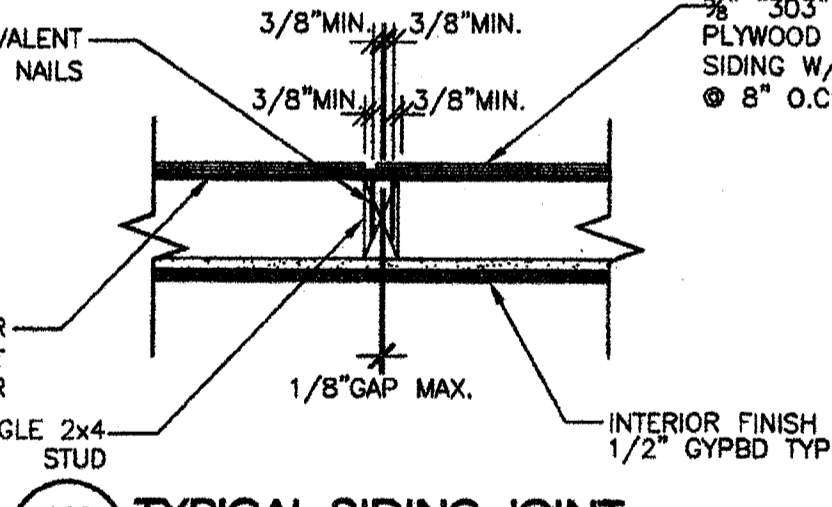
13 END WALL TO ROOF BEAM DETAIL WITH SHIM CONDITION
SSA 1 1/2"=1'-0"



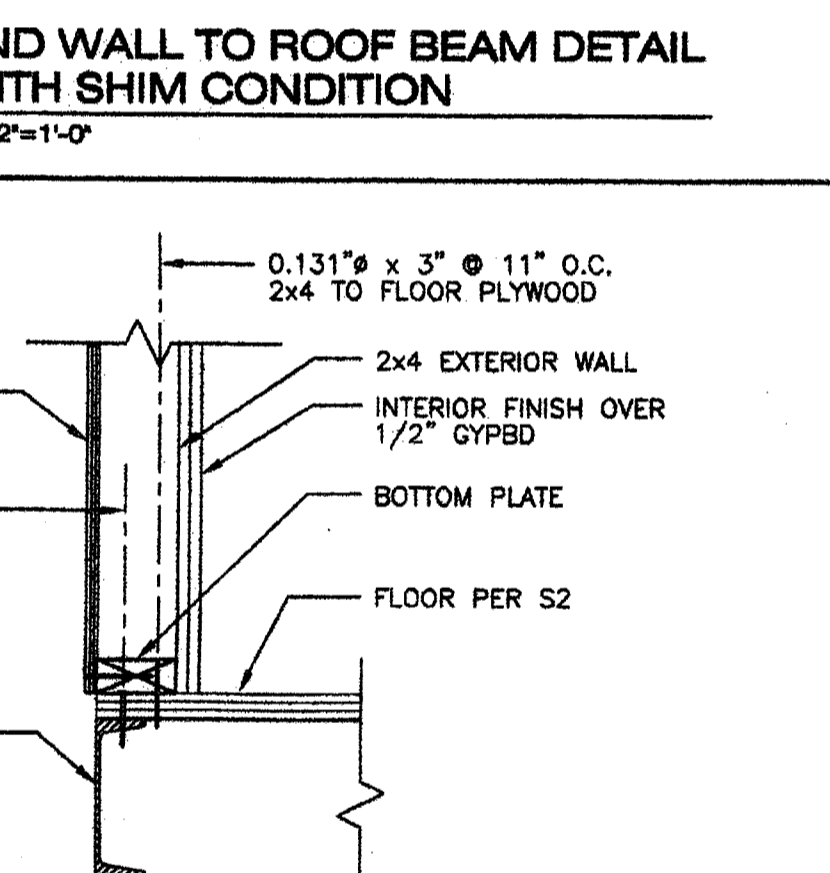
4 WALL HEADER DETAILS AND ALTERNATE
SSA 1 1/2"=1'-0"



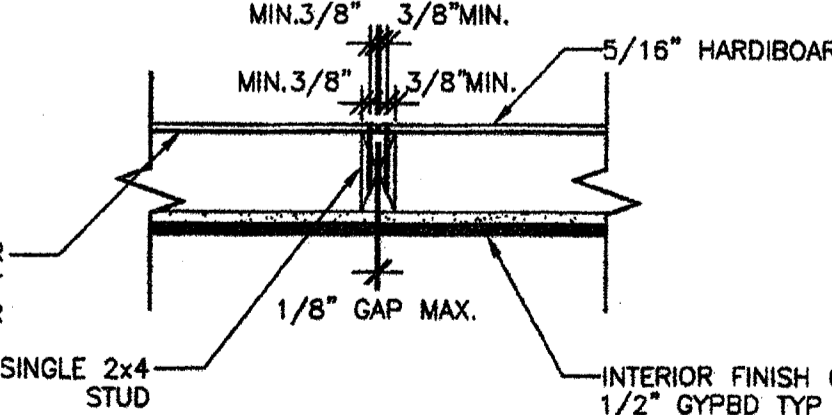
7A ALT. INTERIOR WALL BRACING w/EMT BRACE (BRACE PERPENDICULAR TO PURLINS)
SSA 1 1/2"=1'-0"



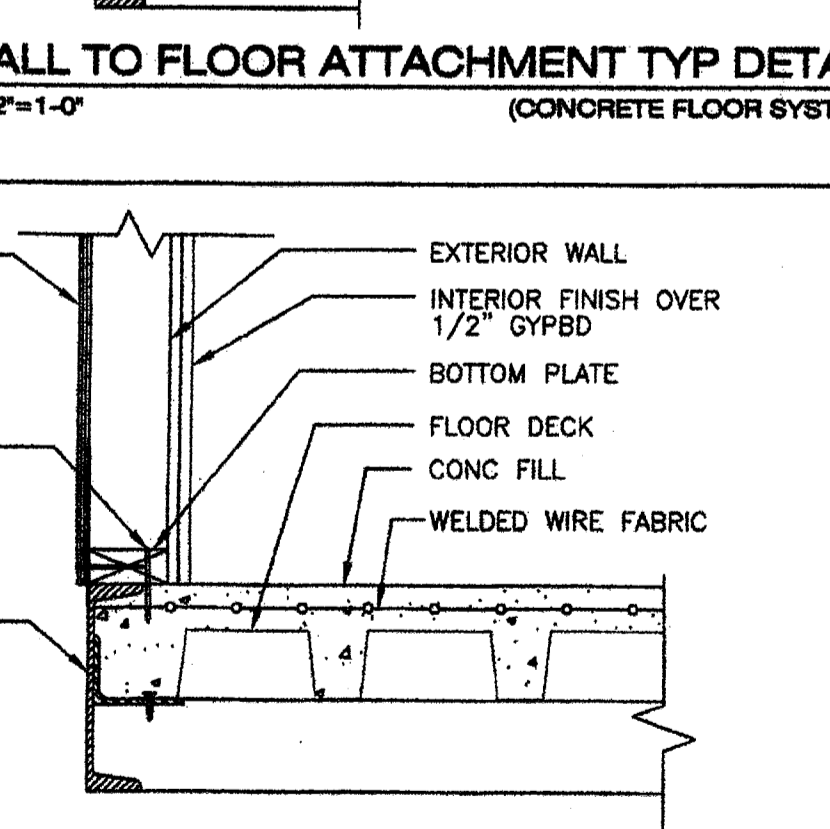
10A TYPICAL SIDING JOINT
SSA 1 1/2"=1'-0"



14 WALL TO FLOOR ATTACHMENT TYP DETAIL (CONCRETE FLOOR SYSTEM)
SSA 1 1/2"=1'-0"



10B TYPICAL HARDIBOARD JOINT
SSA 1 1/2"=1'-0"



15 WALL TO FLOOR ATTACHMENT TYP DETAIL (CONCRETE FLOOR SYSTEM)
SSA 1 1/2"=1'-0"

REVISIONS		
NO	DATE	DESCRIPTION

DATE: 02/06/08
SCALE: NOTED
DRAWN BY: DM
SERIAL NO.:

CUSTOMER:
2:12 PITCHED ROOF 24' x 40' THRU 120' x 40' RELOCATABLE BUILDINGS WALL FRAMING DETAILS

AMS
American Modular Systems Inc.
787 Sprackels Ave. Manteca, CA 95238
(209)925-1921 Fax: (209)925-7018
americanmodular.com

APPROVALS:
THESE DRAWINGS ARE PRELIMINARY AND NOT FOR CONSTRUCTION UNLESS STAMPED & SIGNED BY THE ENGINEER OF RECORD.

REGISTERED PROFESSIONAL ENGINEER
Kenneth A. Lutzke
No. 1418
EXP. 3-31-09
Structural Engineer
STATE OF CALIFORNIA

IDENTIFICATION STAMP
DIV. OF THE STATE ARCHITECT
OFFICE OF REGULATION SERVICES
PC 02-106695
DATE: 3/23/2009

PROJECT NO.
S5A

THESE DRAWINGS AND SPECIFICATIONS ARE THE PROPERTY OF AMERICAN MODULAR SYSTEMS AND ARE NOT TO BE REPRODUCED, COPIED OR IN ANY FORM OR MANNER, NOR ARE THEY TO BE ASSIGNED TO ANY THIRD PARTY WITHOUT THE WRITTEN AUTHORIZATION OF AMERICAN MODULAR SYSTEMS.