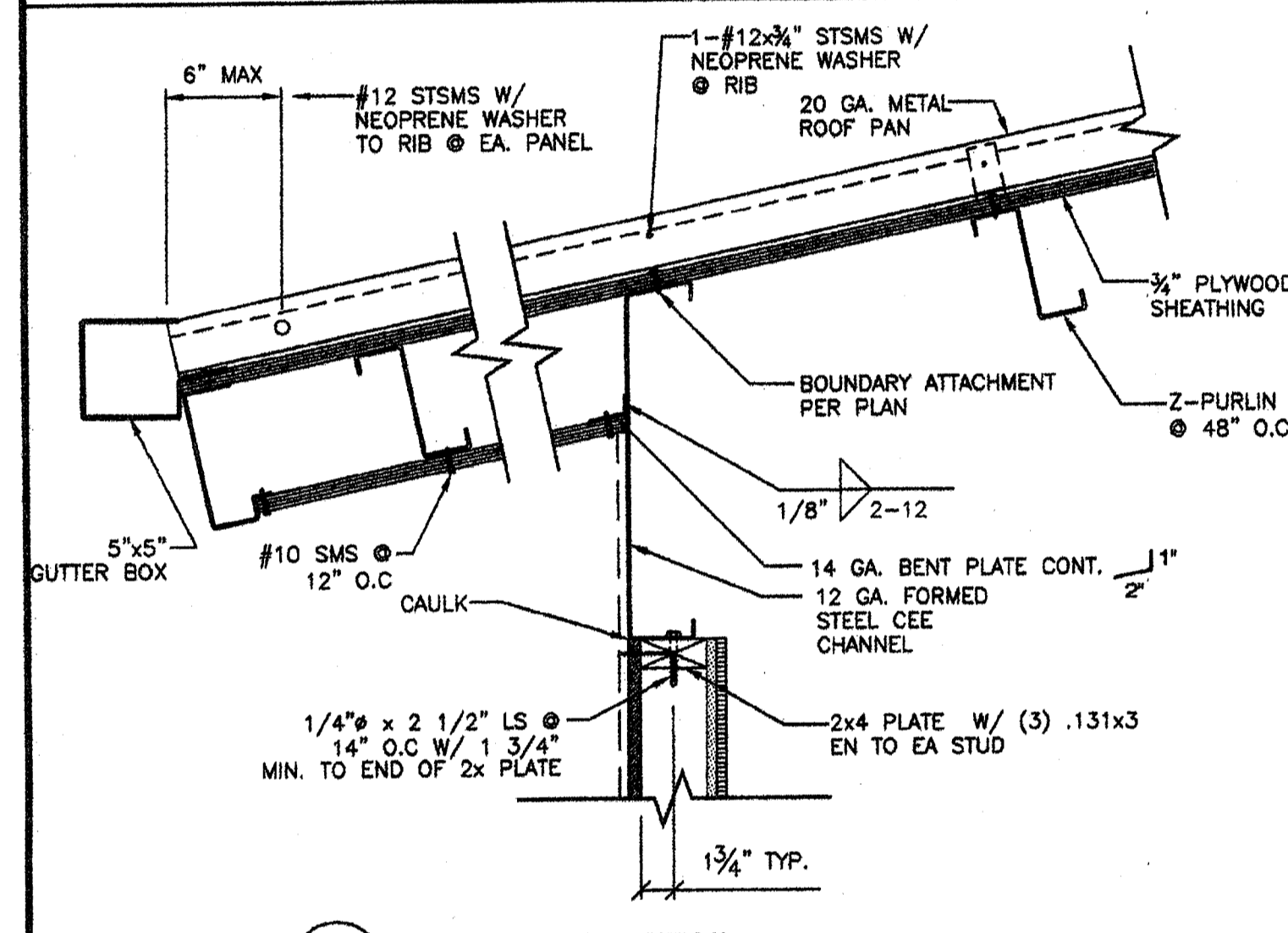
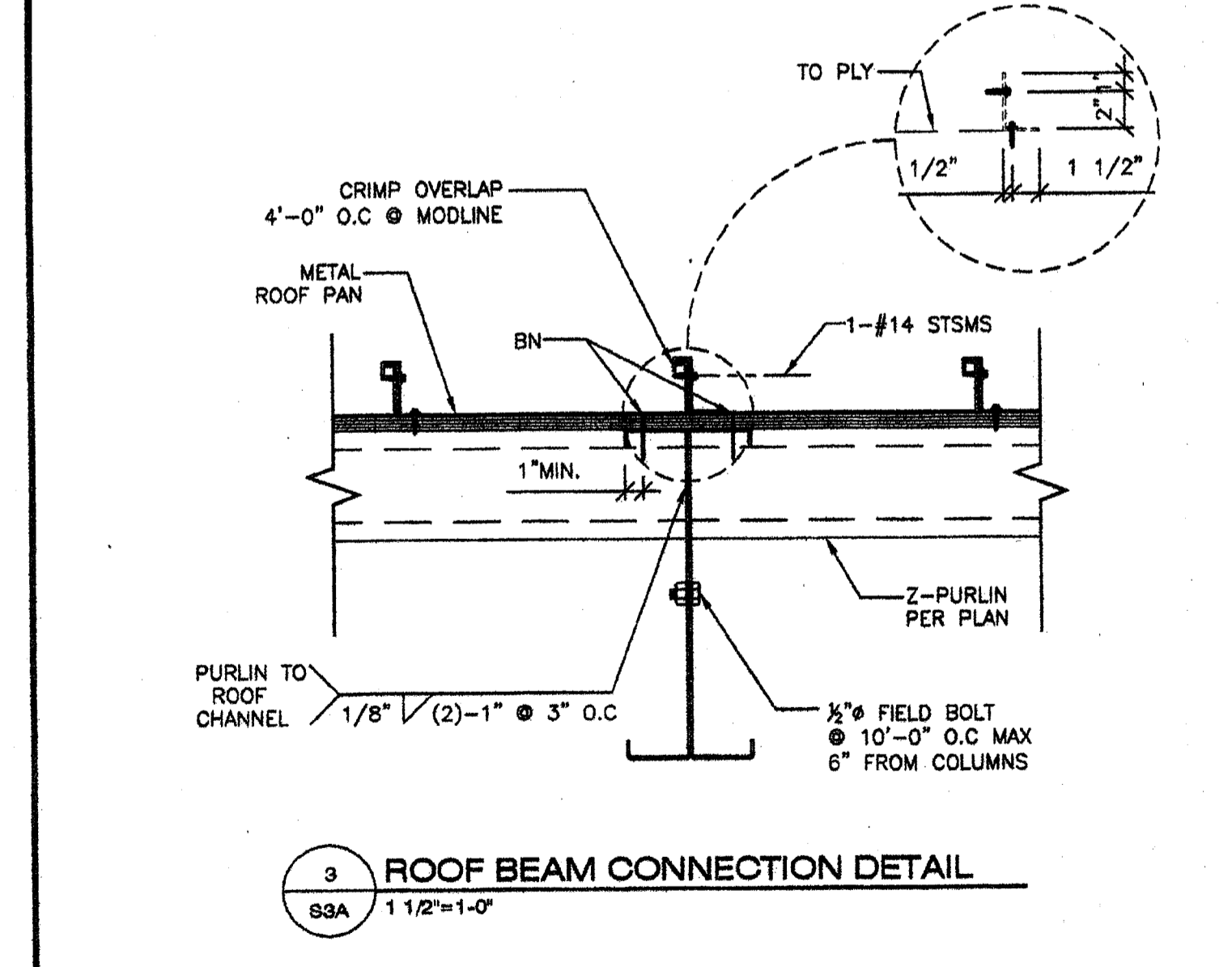


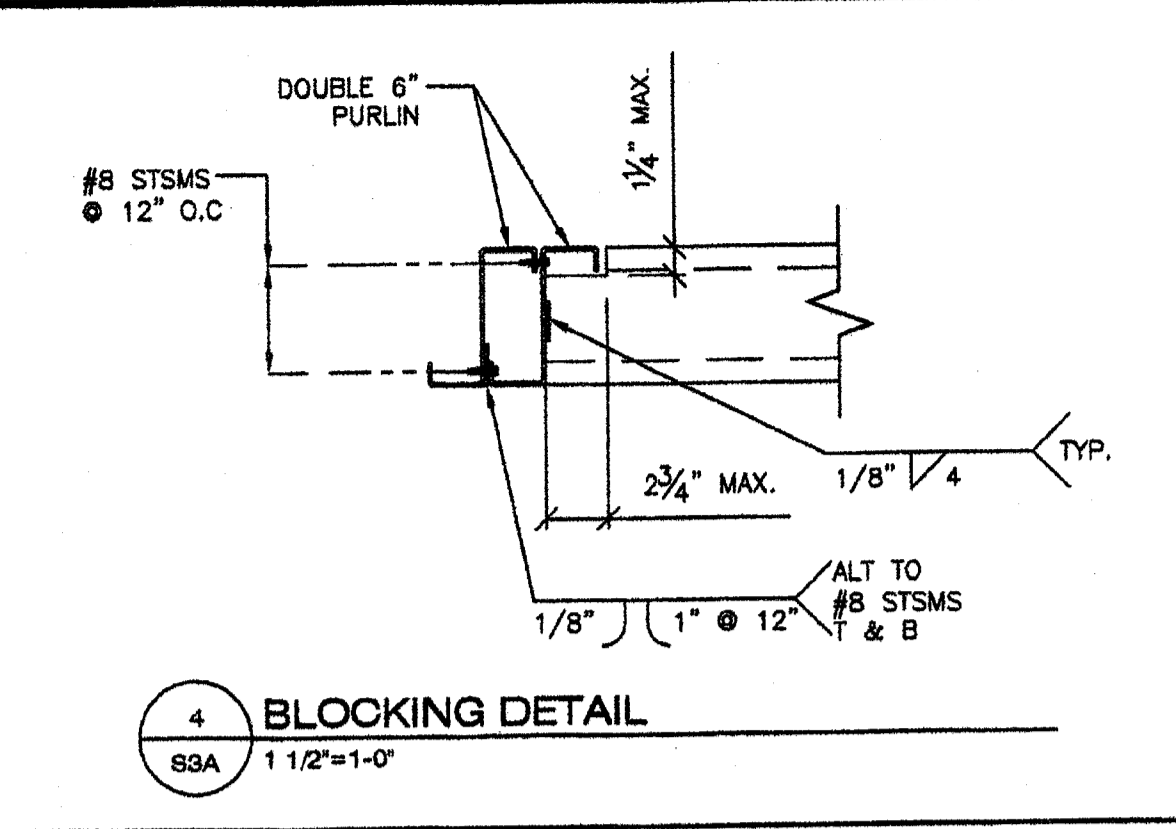
1 TYP. PLYWOOD SHEATHING
SSA 1 1/2"=1'-0"



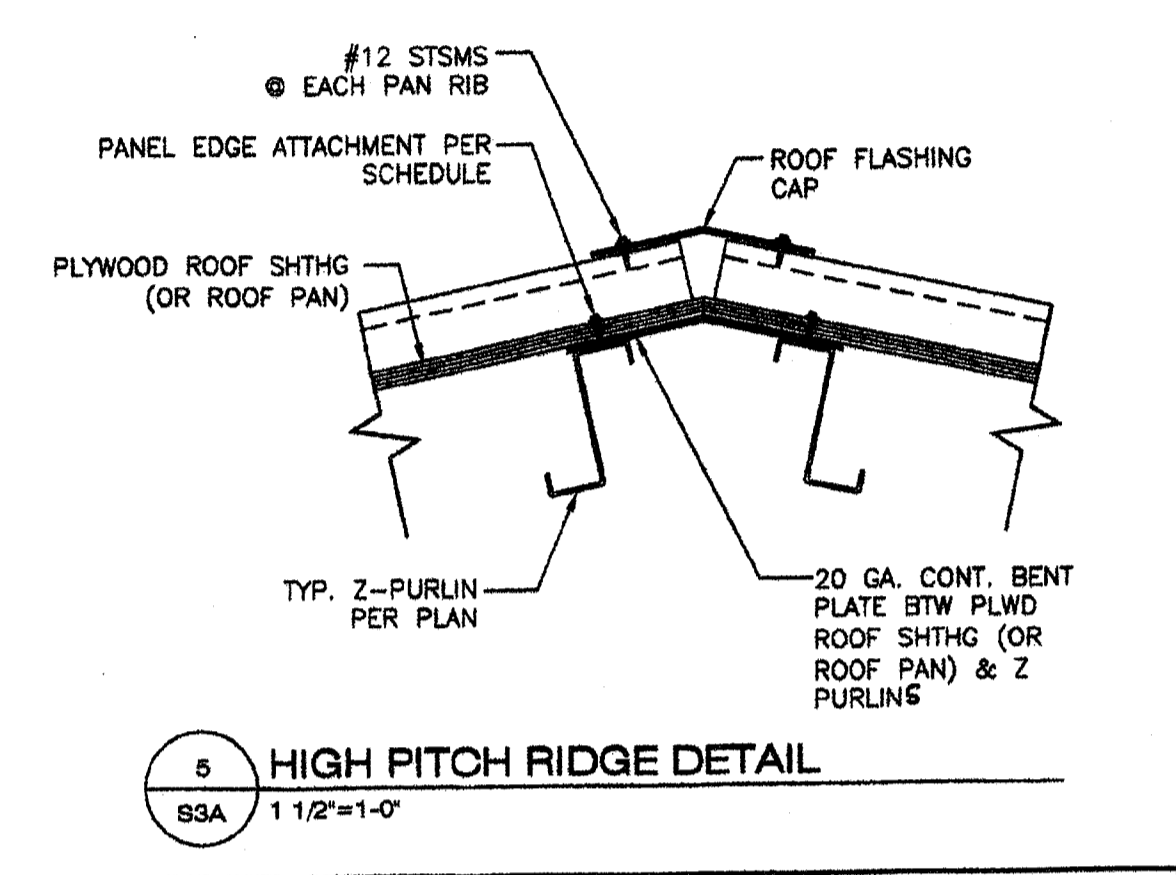
2 OVERHANG DETAIL
SSA 1 1/2"=1'-0"



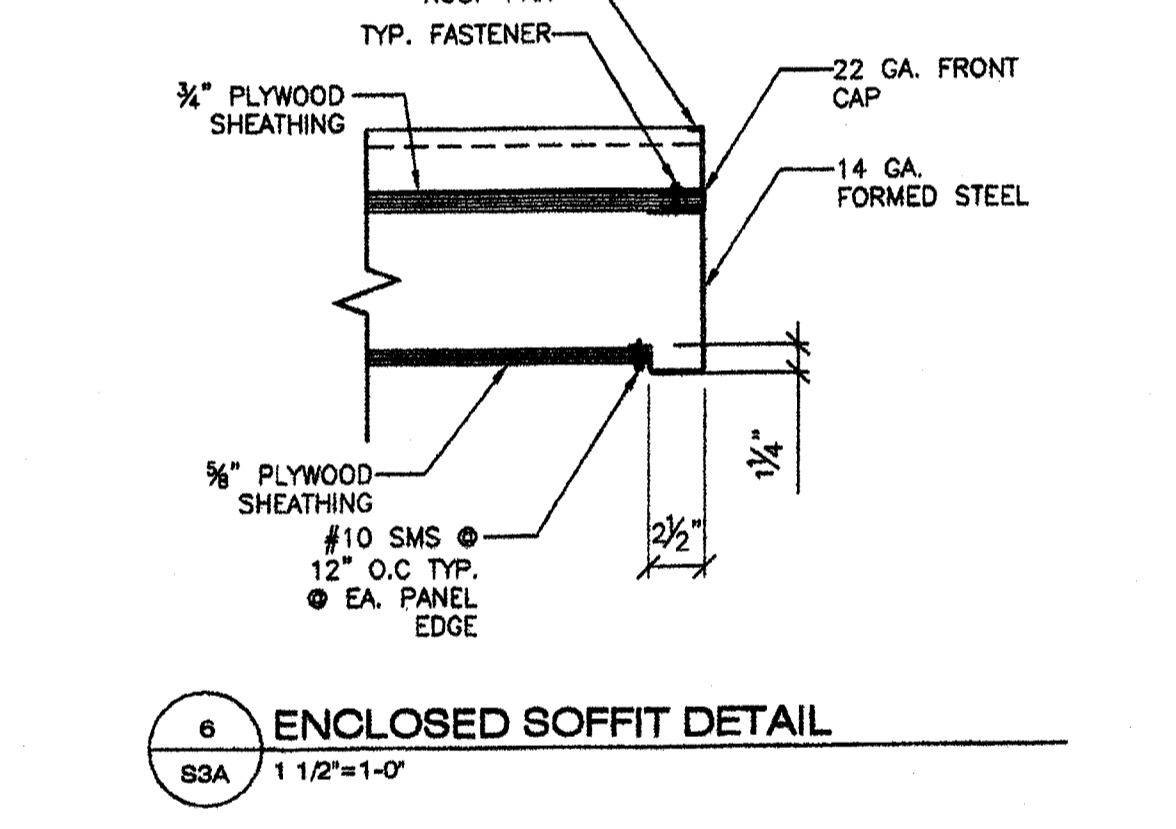
3 ROOF BEAM CONNECTION DETAIL
SSA 1 1/2"=1'-0"



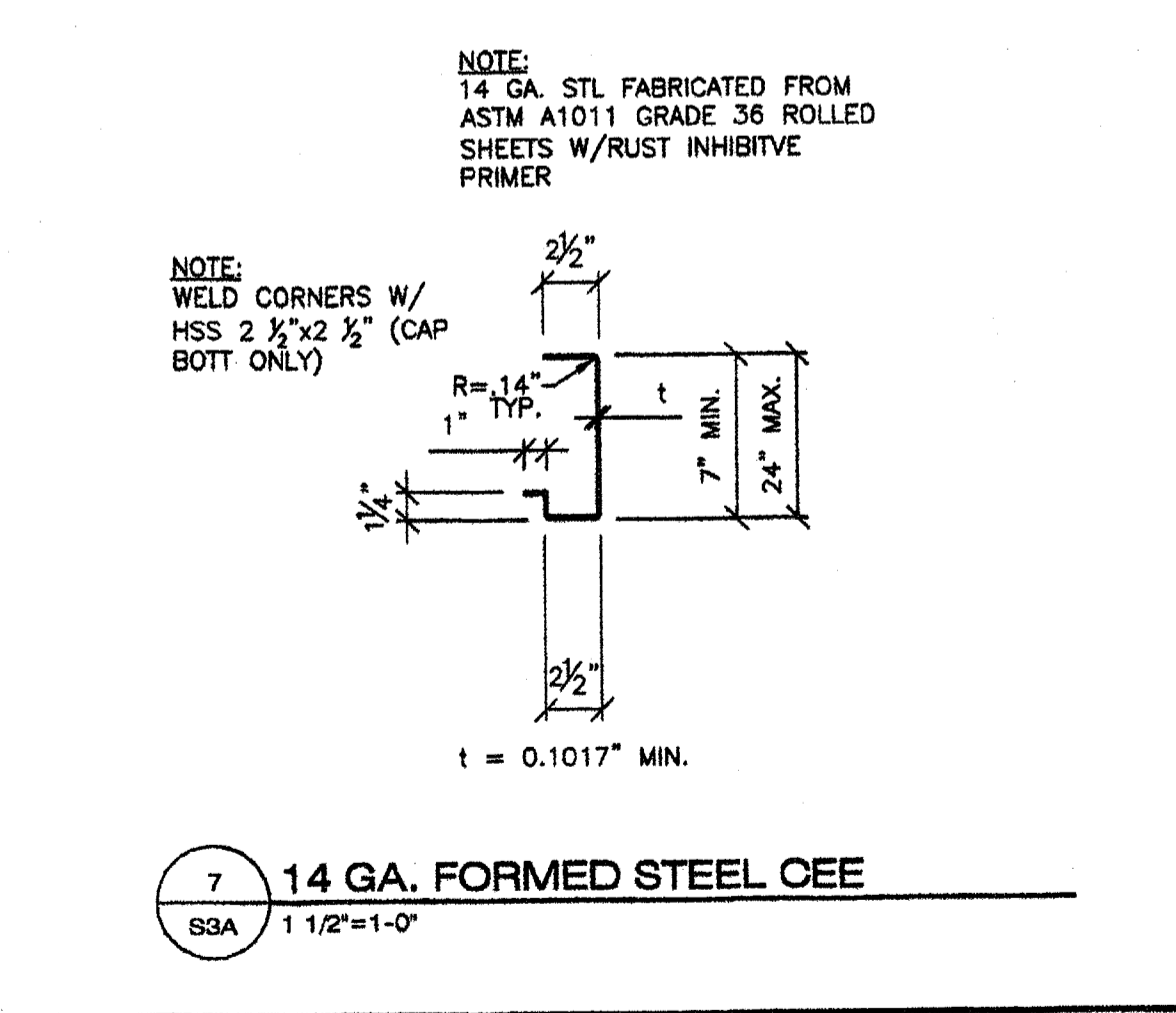
4 BLOCKING DETAIL
SSA 1 1/2"=1'-0"



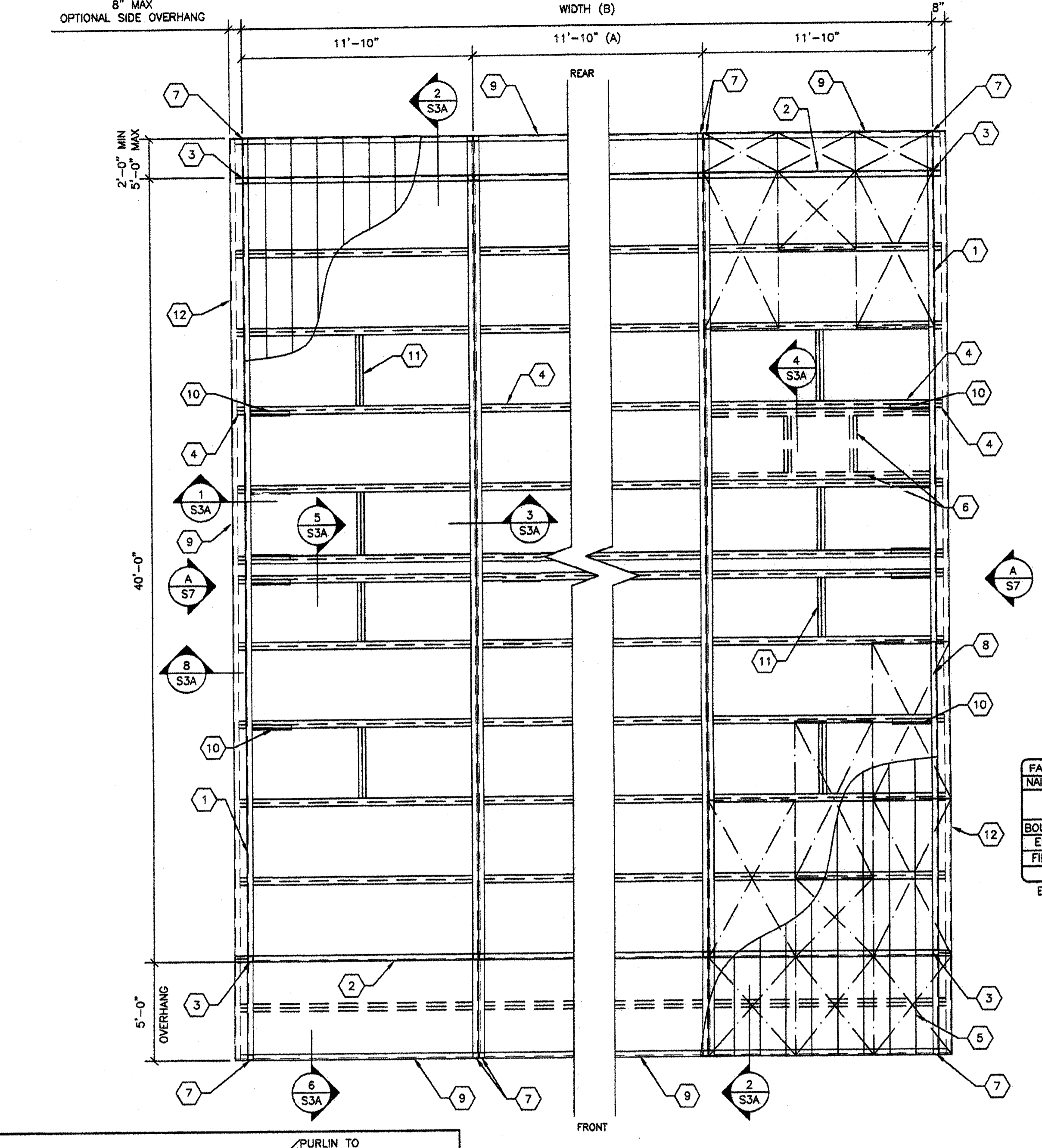
5 HIGH PITCH RIDGE DETAIL
SSA 1 1/2"=1'-0"



6 ENCLOSED SOFFIT DETAIL
SSA 1 1/2"=1'-0"



7 14 GA. FORMED STEEL CEE
SSA 1 1/2"=1'-0"



8 TYPICAL ROOF FRAMING LAYOUT
SSA 1/4"=1'-0"

- KEY NOTES -**
- LONGITUDINAL ROOF BEAM TYP. (SEE 10/S3.1)
 - 12 GA TRANSVERSE ROOF BEAM TYP. (SEE 11/S3.1)
 - HSS COLUMN PER SHEET S4
 - Z FORMED ROOF PURLINS @ 48" O.C. MAX (SEE 9/S3.1)
 - 20 GA. ROOF PAN 3 SPAN CONTINUOUS MIN. (SEE 8/S3.1)
 - PROVIDE DOUBLE 6" PURLINS W/6" PURLIN BLKG PER 4/S3A @ OPTIONAL ROOF MOUNT HVAC. (MAX WEIGHT 600#)
 - 14 GA. 2 1/2" x 2 1/2" HSS PER 7/S.A
 - 3/4" APA RATED L-P OSB SHEATHING OR 3/4" PLYWOOD (ALL SHEATHING SHALL BE EITHER T&G OR EDGE CLIP) COMPLY WITH DSA PA-082 CD EXPOSURE-1 48/24 SPAN INDEX, FACE GRAIN NORMAL TO ROOF PURLINS. ROOF SHTNG MAY BE REPLACED BY STRAP CROSS BRACING (REFER TO SHEET S3 FOR DETAILS) ALL BOUNDARY, EDGE & FIELD ATTACHMENTS SHALL BE 1" MIN. FROM EDGE OF PLYWOOD & EDGE OF STEEL SUPPORTING MEMBER. REFER TO SCHEDULE BELOW FOR FASTENING.
 - 14 GA. FORMED STEEL CEE PER 7/S3A
 - 3x12 GA. BENT PLATE BRACE PER 1/S3A @ EA. STRAP TO 10 GA. BM CONNECTION @ 12'-0" O.C. MAX @ EXTERIOR WALL ONLY. PROVIDE 2 @ RIDGE & PROVIDE PURLIN BLKG PER NOTE 11 BELOW.
 - PURLIN BLOCKING WELD TO ROOF PURLINS PER DETAIL 4/S3A. BLOCKING IS ONLY REQUIRED AT THE OUTSIDE MODULES @ PURLINS WITH DIAGONAL BRACING PER NOTE 10 ABOVE.
 - OPTIONAL SIDE OVERHANGS

FASTENING SCHEDULE

| NAILING | 0.144 PINS SPACING | | # 10 SMS SPACING | |
|----------|--------------------|-------------------------------|------------------|-------------------------------|
| | TYPICAL | WITHIN 4' OF BUILDING CORNERS | TYPICAL | WITHIN 4' OF BUILDING CORNERS |
| BOUNDARY | 6" O.C. | 6" O.C. | 6" O.C. | 6" O.C. |
| EDGE | 6" O.C. | 6" O.C. | 6" O.C. | 6" O.C. |
| FIELD | 12" O.C. | 6" O.C. | 12" O.C. | 12" O.C. |

ET & F 0.144 PINS PER ICC ESR #4144

- GENERAL NOTES -**
- THE MATERIAL THICKNESS OF STRUCTURAL MEMBER, IN THEIR END-USE, SHALL MEET OR EXCEED THE MINIMUM BASE METAL THICKNESS SPECIFIED IN THE TABLE OR IN THE PLAN. THE MATERIAL GAGE DESIGNATION IN THE PLAN SHALL BE USED AS REFERENCE ONLY.
 - SEE SHEET S5 FOR TYP. SIDE WALL FRAMING.
 - SEE SHEET S5 FOR TYP. END WALL FRAMING.
 - ALL FASTENERS THRU METAL ROOF PANEL SHALL BE INSTALLED W/NEOPRENE WASHERS.

- MODULE SCHEDULE -

| BLDG SIZE (FT) | TOTAL # OF 12' WIDE MODULES | "A" TOTAL # OF CENTER MODULES | "B" TOTAL BLDG WIDTH |
|----------------|-----------------------------|-------------------------------|----------------------|
| 24' x 40' | 2 | 0 | 23'-8 1/4" |
| 36' x 40' | 3 | 1 | 35'-6 1/2" |
| 48' x 40' | 4 | 2 | 47'-4 3/4" |
| 60' x 40' | 5 | 3 | 59'-3" |
| 72' x 40' | 6 | 4 | 71'-1 1/4" |
| 84' x 40' | 7 | 5 | 82'-11 1/2" |
| 96' x 40' | 8 | 6 | 94'-9 3/4" |
| 108' x 40' | 9 | 7 | 106'-8" |
| 120' x 40' | 10 | 8 | 118'-6 1/4" |

REVISIONS

| NO | DATE | DESCRIPTION |
|----|------|-------------|
| | | |
| | | |
| | | |

DATE: 02/06/08
SCALE: NOTED
DRAWN BY: DM
SERIAL NO.:

CUSTOMER:
2:12 PITCHED ROOF 24' x 40' THRU 120' x 40' RELOCATABLE BUILDINGS ROOF FRAMING PLANS (PLYWOOD SHEATHING)

AMS
American Modular Systems Inc.
787 Sprucetts Ave., Manteca, CA 95336
(209)825-1921 Fax (209)825-7018
americanmodular.com

APPROVALS:
THESE DRAWINGS ARE PRELIMINARY AND NOT FOR CONSTRUCTION UNLESS STAMPED & SIGNED BY THE ENGINEER OF RECORD.
REGISTERED PROFESSIONAL ENGINEER
Kenneth A. Luttrell
No. 4418
Exp. 5/31/08
Structural Engineer
STATE OF CALIFORNIA

IDENTIFICATION STAMP
DIV. OF THE STATE ARCHITECT
OFFICE OF REGULATION SERVICES
PC 02-109695
DATE: 3/23/2009
PROJECT No.
PC
S3A