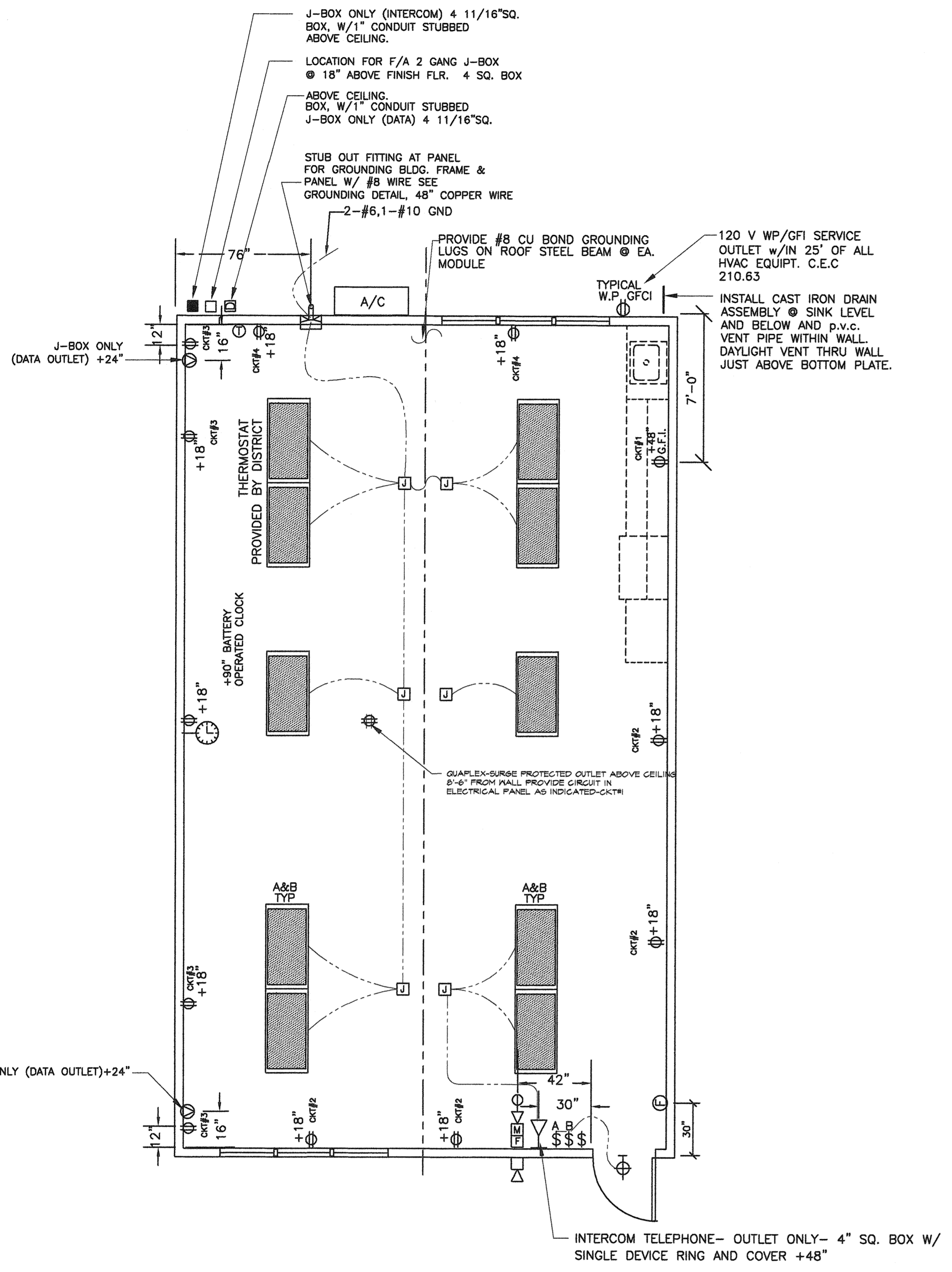
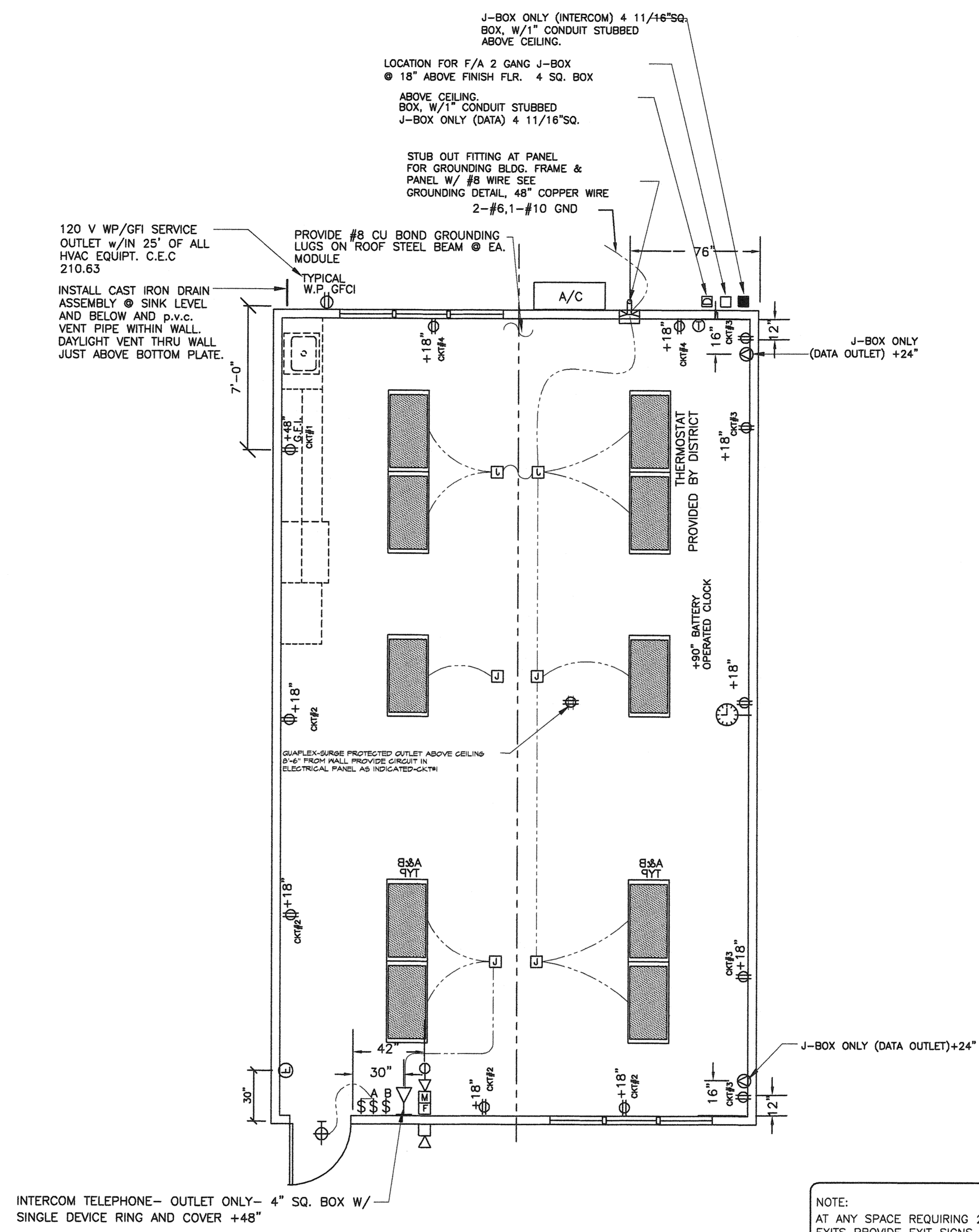


STANDARD ELECTRICAL SYMBOLS

	EXIT LIGHT WHEN THE OCCUPANT LOAD IS 50 OR MORE
	INCANDESCENT WALL MOUNTED INTERIOR LIGHT FIXTURE
	DUPLEX WALL CONVENIENCE OUTLETS @ +18" TO CENTER LINE ABOVE F.F. AND 12'-0" MAX TYP U
	FOURPLEX WALL OUTLET @ +18" TO CENTER LINE U.O.N.
	WEATHER PROOF GROUND FAULT CIRCUIT INTERRUPT OUTLET
	GROUND FAULT CIRCUIT INTERRUPT OUTLET
	SINGLE POLE LIGHT SWITCHES @ +48", HUBBELL PREMIUM, BRYANT HEAVY DUTY, OR LEVITON SPECIFICATIONS GRADE.
	ELECTRICAL CROSSOVER J-BOXES ABOVE T-BAR CEILING #1-4"x1", #22 4"x2"
	CLOCK/SPEAKER COMBO @ +90"
	SWITCH SUBSCRIPTS - @=DEVICE CONTROLLED.
	JUNCTION BOX - SIZE AND TYPE AS REQUIRED.
	SPEAKER - OUTLET ONLY - 4" SQ. BOX W/ SINGLE DEVICE RING AND COVER +84"
	DATA/COMMUNICATION OUTLET ONLY- 4" SQ. BOX W/ SINGLE DEVICE RING AND COVER +18" U.O.N. AND A 3/4" CONDUIT STUB CEILING SPACE.
	INTERCOM TELEPHONE- OUTLET ONLY- 4" SQ. BOX W/ SINGLE DEVICE RING AND COVER +48" U.O.N.
	MOTION SENSOR OUTLET STUB-UP -PROVIDE (1)4" SQ. BOX W/ SINGLE DEVICE RING AND COVER AND ONE 3/4" CONDUIT STUB TO ABOVE CEILING (DEVICES BY OTHERS)
	SECURITY/INTRUSION KEY PAD - OUTLET ONLY- 4" SQ. BOX W/ SINGLE DEVICE RING AND COVER @ +48" AND ONE 3/4" CONDUIT STUB ABOVE CEILING
	DOOR CONTACT - PROVIDE (1) EMPTY 1/2"Ø EMT THROUGH DOOR HEADER STUB ABOVE CEILING
	CATV OUTLET STUB-UP -PROVIDE (1)4" SQ. BOX W/ SINGLE DEVICE RING AND COVER AND(1) 3/4"Ø CONDUIT TO ABOVE CEILING (DEVICES BY OTHERS)
	FIRE ALARM PULL STATION - OUTLET ONLY, 4" SQ. BOX W/ SINGLE DEVICE RING AND COVER +48". (DEVICE N.I.C.)
	FIRE ALARM HORN - OUTLET ONLY - 4" SQ. SINGLE GANG J-BOX WITH BLANK WEATHERPROOF COVER @ +90" MIN (DEVICE N.I.C.)
	FIRE ALARM VISUAL ALARM- OUTLET ONLY - 4" SQ. BOX W/ SINGLE DEVICE RING AND COVER +80". A.F.F. BUT NO GREATER THAN +96". IF CEILING MOUNTED PER NFPA72 TABLE 6-4.4.1(b).
	MINI HORN BOX W/ SINGLE DEVICE RING AND COVER @ +80"A.F.F. BUT NO GREATER THAN +96". STUB TO ATTIC
	THERMOSTAT @ +60" SEALED, +48" A.F.F UNSEALED
	ULTRASONIC OCCUPANCY SENSOR
	ELECTRICAL PANEL
	EMERG. LIGHTING w/BATTERY BACKUP WHEN THE OCCUPANT LOAD IS 50 OR MORE



1 TYPICAL ELECTRICAL PLAN
E1 1/4"=1'-0"



2 TYPICAL ELECTRICAL PLAN
E1 1/4"=1'-0"

NOTE:
AT ANY SPACE REQUIRING 2 OR MORE EXITS PROVIDE EXIT SIGNS (CBC 1011) AND EMERGENCY EXIT ILLUMINATION (CBC 1006)

NOTE:
THE PROJECT ARCHITECT SHALL BE RESPONSIBLE FOR THE PLACEMENT OF HEAT, SMOKE DETECTORS AND PULL STATIONS WHEN THE SITE SPECIFIC PROJECT IS REQUIRED TO MEET THE PROVISIONS OF SB 575 & CBC 907.2.3

SYMBOL	DESCRIPTION	WATTS	MANUFACTURER
	2'x4' FLOURESCENT DROP IN FIXTURE, ACRYLIC PRISMATIC LENS. T-8 ELECTRONIC BALLASTS (3)32 WATT TUBES, WT. 27 LBS.	SP41 32 W	CRESCENT 24GP40HSA115BYF2 OR LITHONIA 2GT440A12120ESPWS1846LPESCW
	FLOURESCENT SURFACE MOUNTED EXTERIOR LIGHT WITH IMPACT RESISTANT ENCLOSURE. .125 THICK CLEAR PRISMATIC ONE PIECE LENS W/ NEOPRENE GASKET & POSIGRIP STAINLESS STEEL SCREWS. (PROVIDE EMERGENCY BATTERY BACK-UP WHEN THE OCCUPANT LOAD IS 50 OR MORE)	(2) 7W TT 2700 K	ENERTRON 7026B-L OR EQUAL

- GENERAL NOTES -

- F.A. : STUB-UP ALL FIRE ALARM JUNCTION BOXES TO ACCESSIBLE ATTIC SPACE WITH 1/2" MIN. GALV. THIN WALL TUBING (EMT). DO NOT CONNECT FIRE ALARM CONDUIT WITH ANY OTHER ELECTRICAL CONDUIT
- IF OPTIONAL DOOR OCCURS A PULL STATION HEAT, SMOKE DETECTORS AND PULL STATIONS ARE REQUIRED. PULL STATIONS ARE REQUIRED @ EVERY EXIT
- STUB OUT LOCATIONS FOR ELECTRICAL PANEL, FIRE ALARM, AND DATA BOXES SHOWN ARE DIAGRAMITICAL ONLY EXACT LOCATIONS MAY VARY +/- SEVERAL FEET. PLEASE CONTACT AMERICAN MODULAR SYSTEMS FOR EXACT LOCATIONS. POINT OF CONNECTION WILL BE AT FACE OF BUILDING.
- SEE TYPICAL CLASSROOM LAYOUT FOR LOCATIONS OF ALL DEVICES. FIXTURE MOUNTING SHALL COMPLY WITH CALIFORNIA SEISMIC REGULATIONS.
- THE LIGHTS FOR EACH ROOM OVER 250' SQ SHALL BE CONTROLLED BY ULTRASONIC OCCUPANCY SENSOR. WATT STOPPER W-500A W-1000A, OR W-2000A (OR EQUAL) BASED ON THE ROOM SIZE IN CONJUNCTION WITH BI-LEVEL SWITCHING.

REVISIONS

NO	DATE	DESCRIPTION

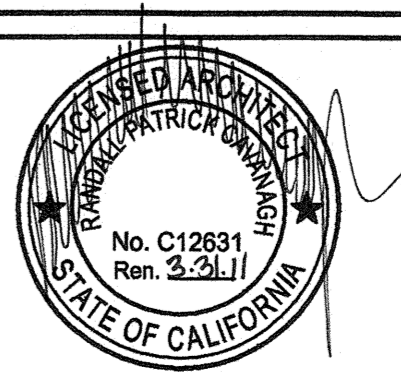
DATE: 08/13/09
SCALE: NOTED
DRAWN BY: RS
SERIAL NO.:

CUSTOMER:
BAKERSFIELD CITY SCHOOLS
MUNSEY AND FREMONT ELEMENTARY SCHOOL

2:12 PITCHED ROOF 24' x 40' RELOCATABLE BUILDINGS
TYPICAL ELECTRICAL PLAN

AMS
American Modular Systems Inc.
787 Spreckels Ave. Manteca, CA 95336
(209)825-1921 Fax (209)825-7018
americanmodular.com

APPROVALS:



IDENTIFICATION STAMP
DIV. OF THE STATE ARCHITECT
OFFICE OF REGULATION SERVICES
No. C12631
Ren. 3/21/11
AC. FLS. SS
DATE: SEP 24 2009

PROJECT NO:
E1

BASED ON PC 02-109695